



US00D439684S

(12) **United States Design Patent**
Freeman et al.

(10) **Patent No.:** **US D439,684 S**
(45) **Date of Patent:** **** Mar. 27, 2001**

- (54) **SWIRL CANDLE**
- (75) Inventors: **Faith Freeman**, Huntington Beach;
Frank H. Asbury, Anaheim, both of
CA (US)
- (73) Assignee: **Primal Elements, Inc.**, Garden Grove,
CA (US)
- (**) Term: **14 Years**
- (21) Appl. No.: **29/123,902**
- (22) Filed: **May 25, 2000**
- (51) **LOC (7) Cl.** **26-01**
- (52) **U.S. Cl.** **D26/11**
- (58) **Field of Search** D26/6, 7, 9-12;
431/288, 291

- 2626654 8/1989 (FR) .
- 2630747 11/1989 (FR) .
- 8157864 6/1996 (JP) .
- 8212818 8/1996 (JP) .
- 10244800 9/1998 (JP) .
- 10308110 11/1998 (JP) .

OTHER PUBLICATIONS

“What is Wax?”, World Wide Web, Jan. 22, 1999, 2 pages.
Mary Talbot, “Making Candles”, 3 pages.
“Candle Making Waxes”, World Wide Web, Jan. 21, 1999,
3 pages.
James E. Gick, “Candle Creations”, Hazel Pearson Handi-
crafts, 4 pages.
Jane Hogue, “Homespun Floral Candles”, Country Living
Gardener Nov./Dec. 1996, 2 pages.
The Gift and Art Buyer catalog; Rose-Lites candle; p. 41,
Sep. 1940.*

* cited by examiner

(56) **References Cited**

U.S. PATENT DOCUMENTS

- D. 293,823 * 1/1988 Fieschi et al. D26/11
- D. 424,719 5/2000 Freeman .
- D. 426,326 * 6/2000 Dearth D26/7
- 4,206,500 * 6/1980 Neil 362/161
- 4,332,548 6/1982 Linton et al. .
- 4,427,366 1/1984 Moore .
- 4,894,008 1/1990 Lee .
- 5,578,089 11/1996 Elsamaloty .
- 5,583,853 12/1996 Giallorenzi et al. .
- 5,879,694 3/1999 Morrison et al. .
- 5,927,965 7/1999 Pappas .
- 6,033,210 3/2000 Freeman .
- 6,066,329 * 5/2000 Morrison et al. 431/288
- 6,068,472 * 5/2000 Freeman et al. 431/291

FOREIGN PATENT DOCUMENTS

- 2651035 5/1978 (DE) .

Primary Examiner—Robin V. Taylor
(74) *Attorney, Agent, or Firm*—Stetina Brunda Garred &
Brucker

(57) **CLAIM**

The ornamental design for a swirl candle, as shown and described.

DESCRIPTION

FIG. 1 is a top plan view of the swirl candle of the present invention showing our new design;
FIG. 2 is the side elevational view thereof; and,
FIG. 3 is a bottom plan view thereof.

1 Claim, 1 Drawing Sheet

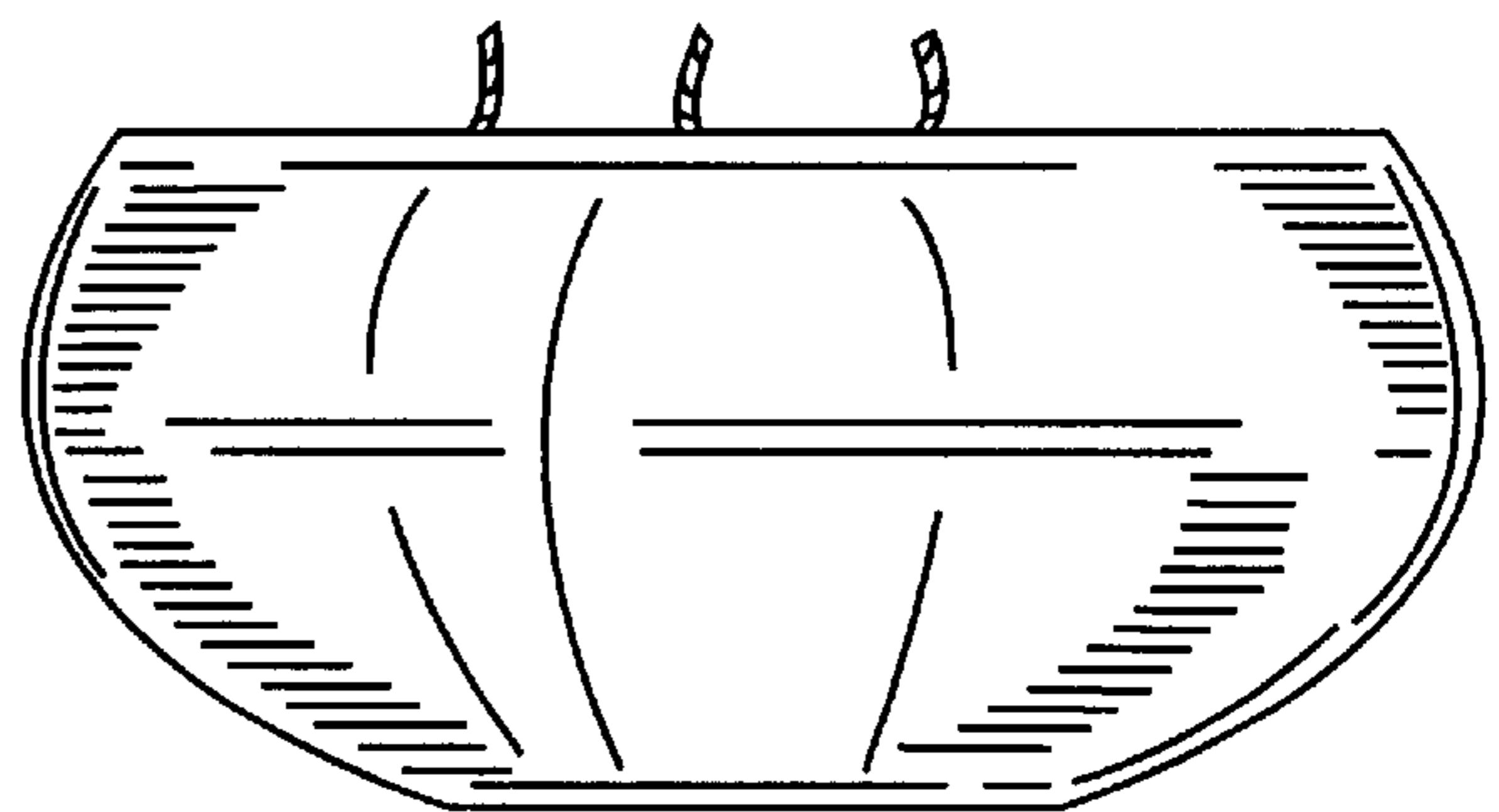
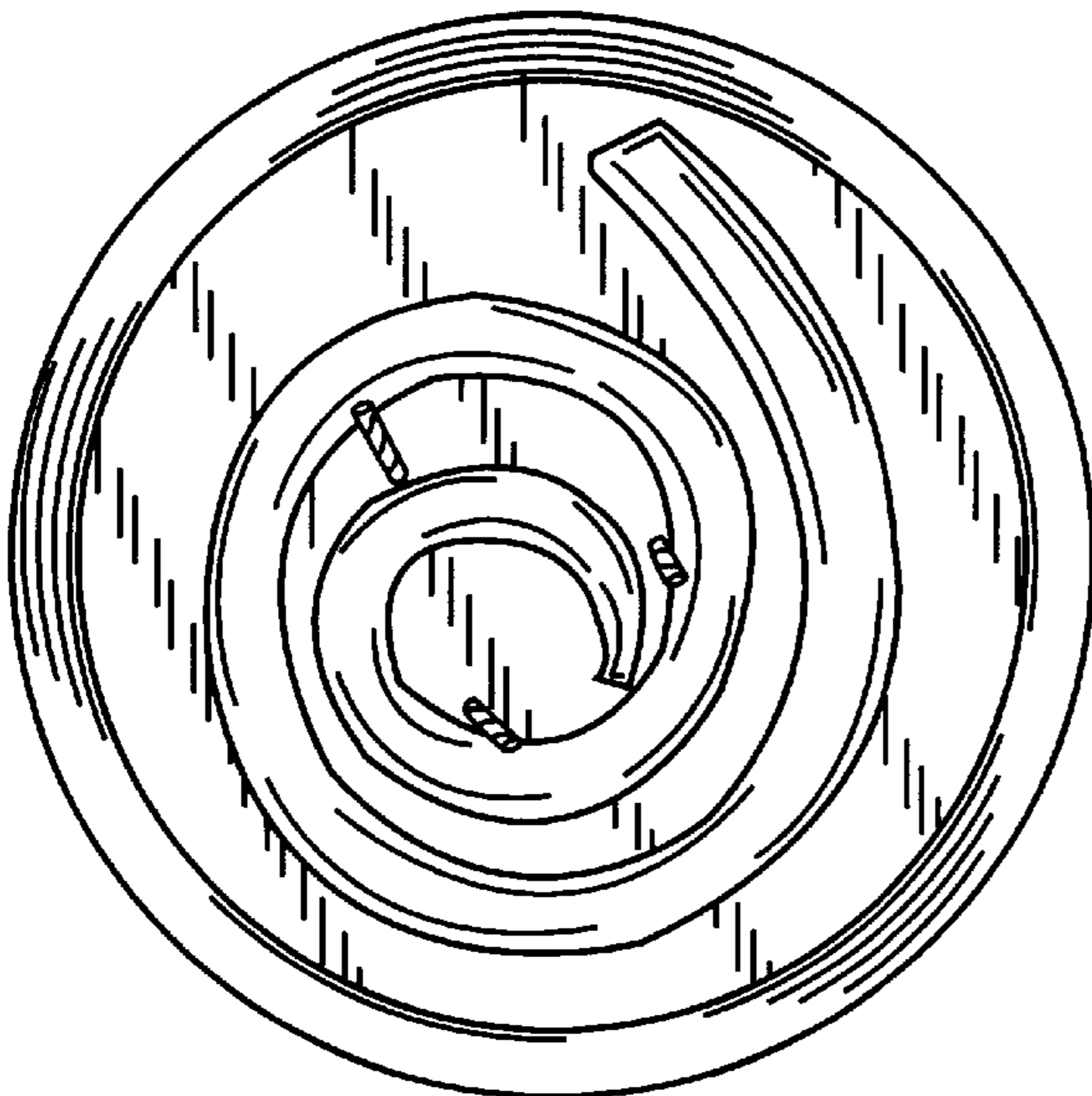


Fig. 1

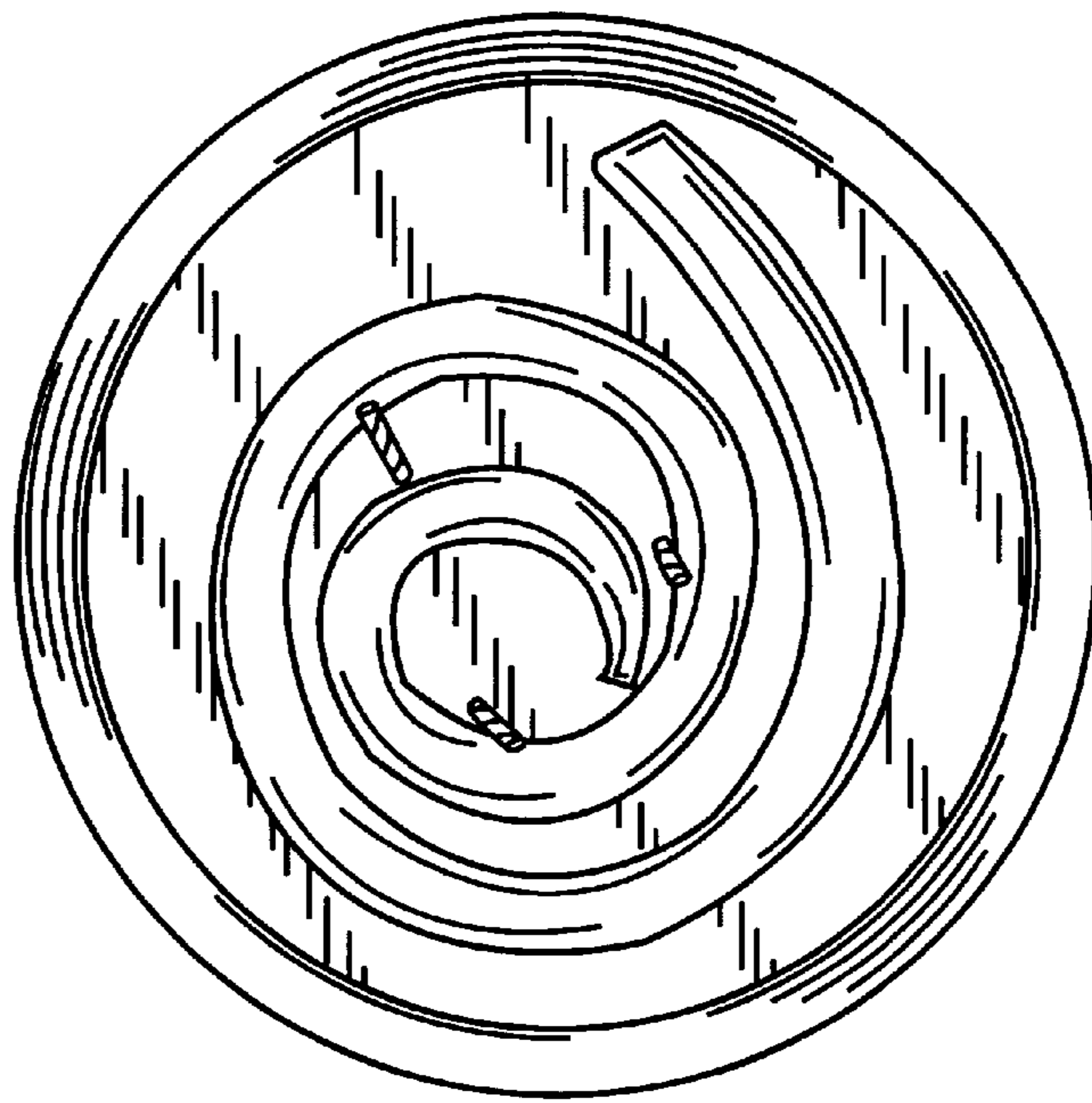


Fig. 2

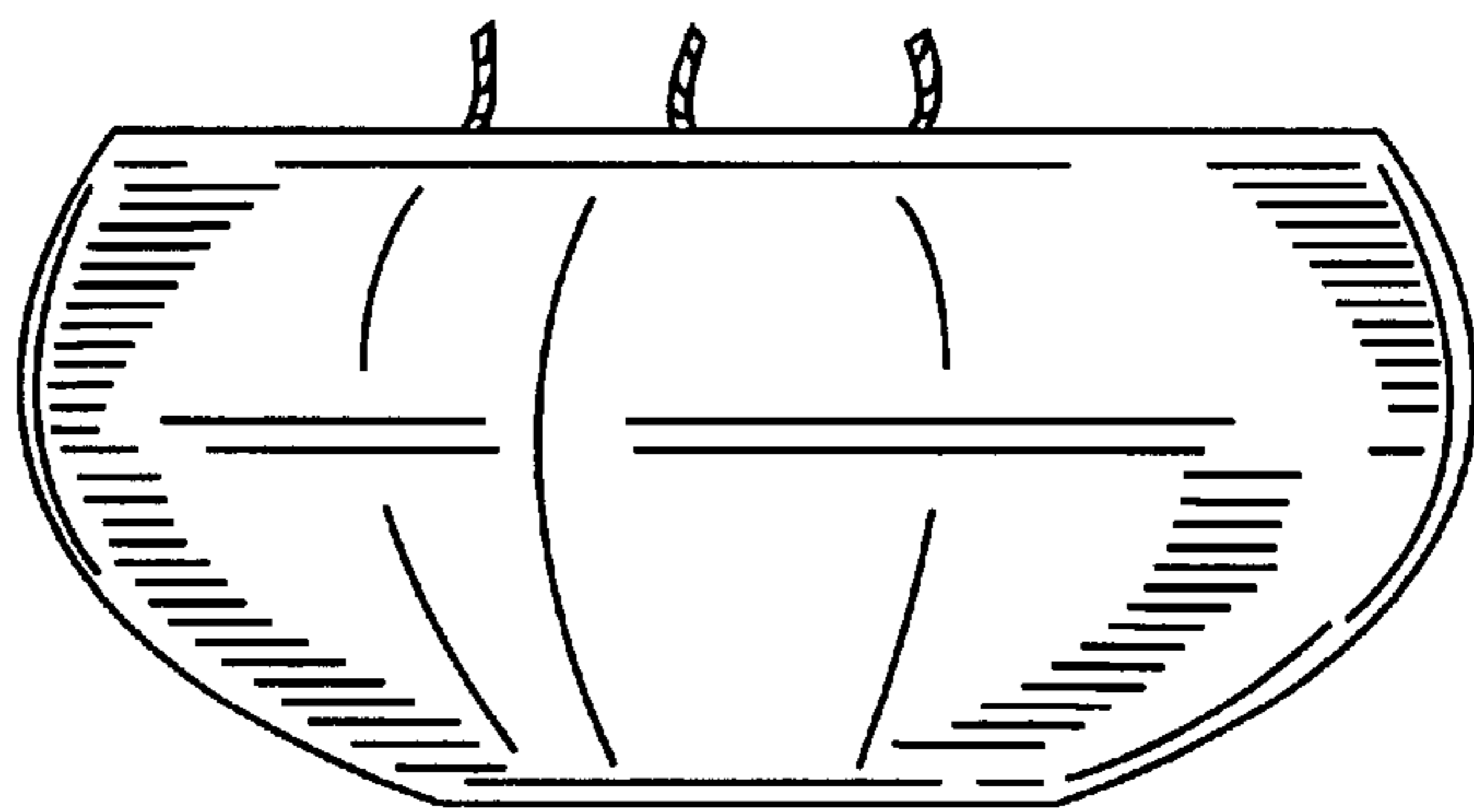


Fig. 3

