



US00D439682S

(12) **United States Design Patent**
Murdick

(10) **Patent No.:** **US D439,682 S**

(45) **Date of Patent:** **** Mar. 27, 2001**

(54) **TIRE CANDLE**

(76) **Inventor:** **Brian Murdick**, 3791 Arabian Ct.,
Columbus, OH (US) 43221

(**) **Term:** **14 Years**

(21) **Appl. No.:** **29/120,959**

(22) **Filed:** **Mar. 30, 2000**

(51) **LOC (7) Cl.** **26-04**

(52) **U.S. Cl.** **D26/7**

(58) **Field of Search** D26/6, 7, 9-11,
D26/16; 431/125; D12/134, 135, 142

(56) **References Cited**

U.S. PATENT DOCUMENTS

D. 111,775	5/1938	Seaver .	
D. 184,035	* 12/1958	Billingsley	D12/142
D. 200,690	* 3/1965	Kunz	D12/142
D. 202,605	* 10/1965	Humphries	D12/142
D. 239,569	* 4/1976	Eker	D26/7
D. 257,642	12/1980	Taylor .	
D. 279,280	* 6/1985	Resnick	D26/7
D. 352,486	* 11/1994	White	D12/142
D. 412,368	* 7/1999	Gazzola et al.	D26/7
2,122,736	* 7/1938	Bourdon	D12/134
3,744,956	7/1973	Hess .	

4,790,747 12/1988 O'Brien .

* cited by examiner

Primary Examiner—Robin V. Taylor

(74) *Attorney, Agent, or Firm*—Maribeth Deavers

(57) **CLAIM**

The ornamental design for a tire candle, as shown and described.

DESCRIPTION

FIG. 1 is a top perspective view of a candle showing my new design;

FIG. 2 is a side elevational view thereof; all side views being identical;

FIG. 3 is a top plan view thereof;

FIG. 4 is a bottom plan view thereof;

FIG. 5 is a top perspective view of an alternate embodiment of the candle shown in FIG. 1, whereby the candle rests in a vertical position;

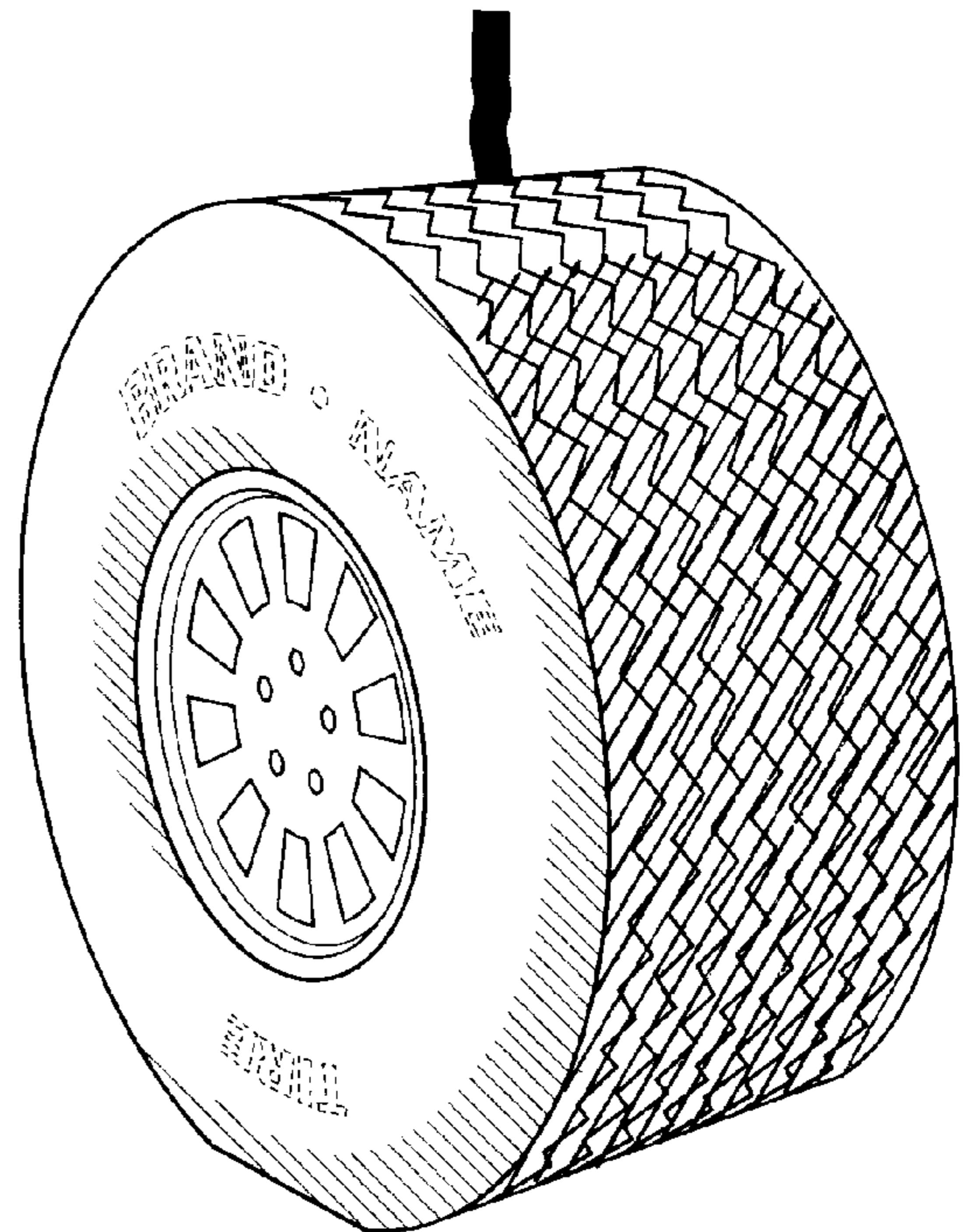
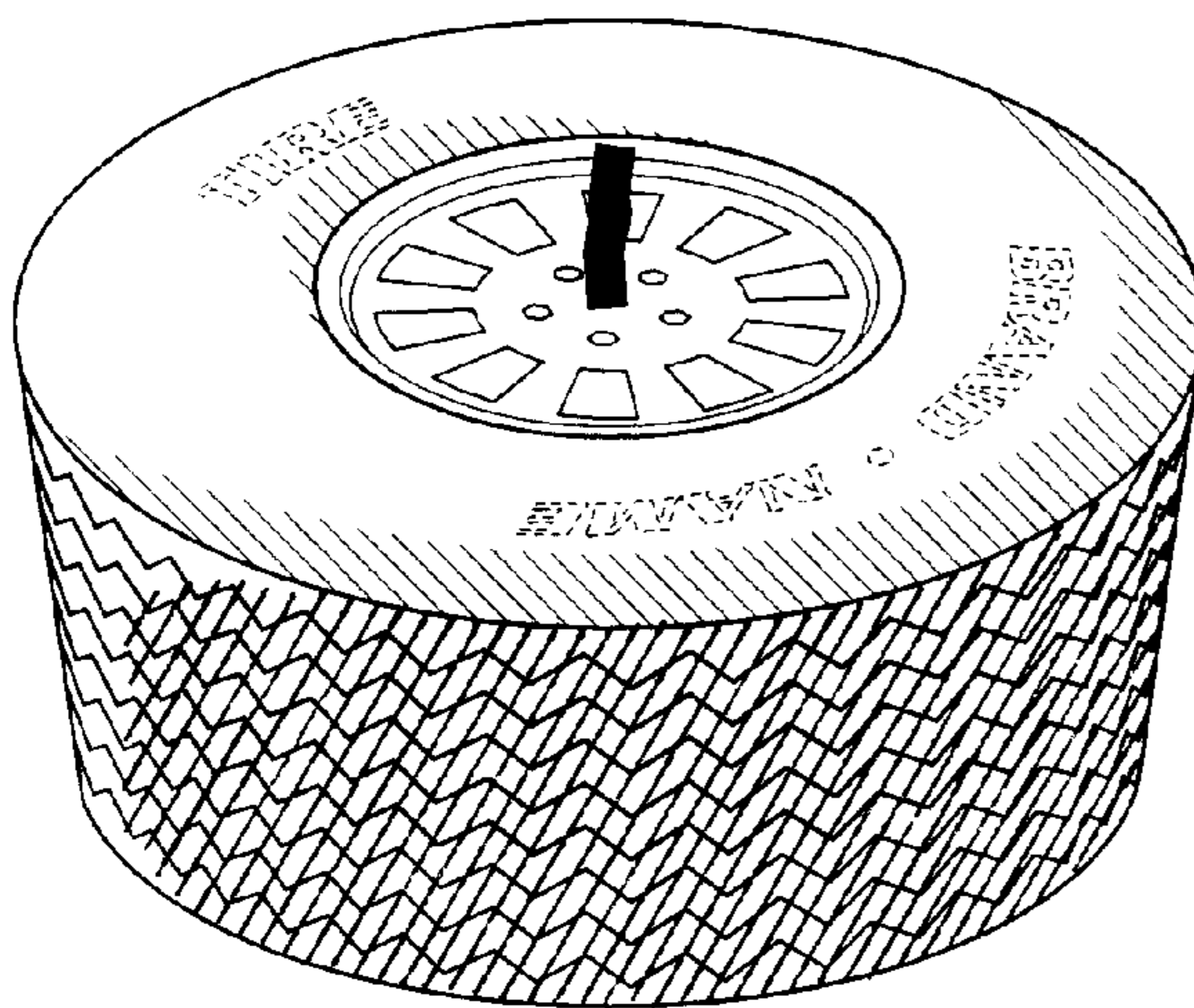
FIG. 6 is a front elevational view thereof; the rear elevational view being identical to the front;

FIG. 7 is a top plan view thereof; and,

FIG. 8 is a bottom plan view thereof.

The broken line showing is for illustrative purposes only and forms no part of the claimed design.

1 Claim, 2 Drawing Sheets



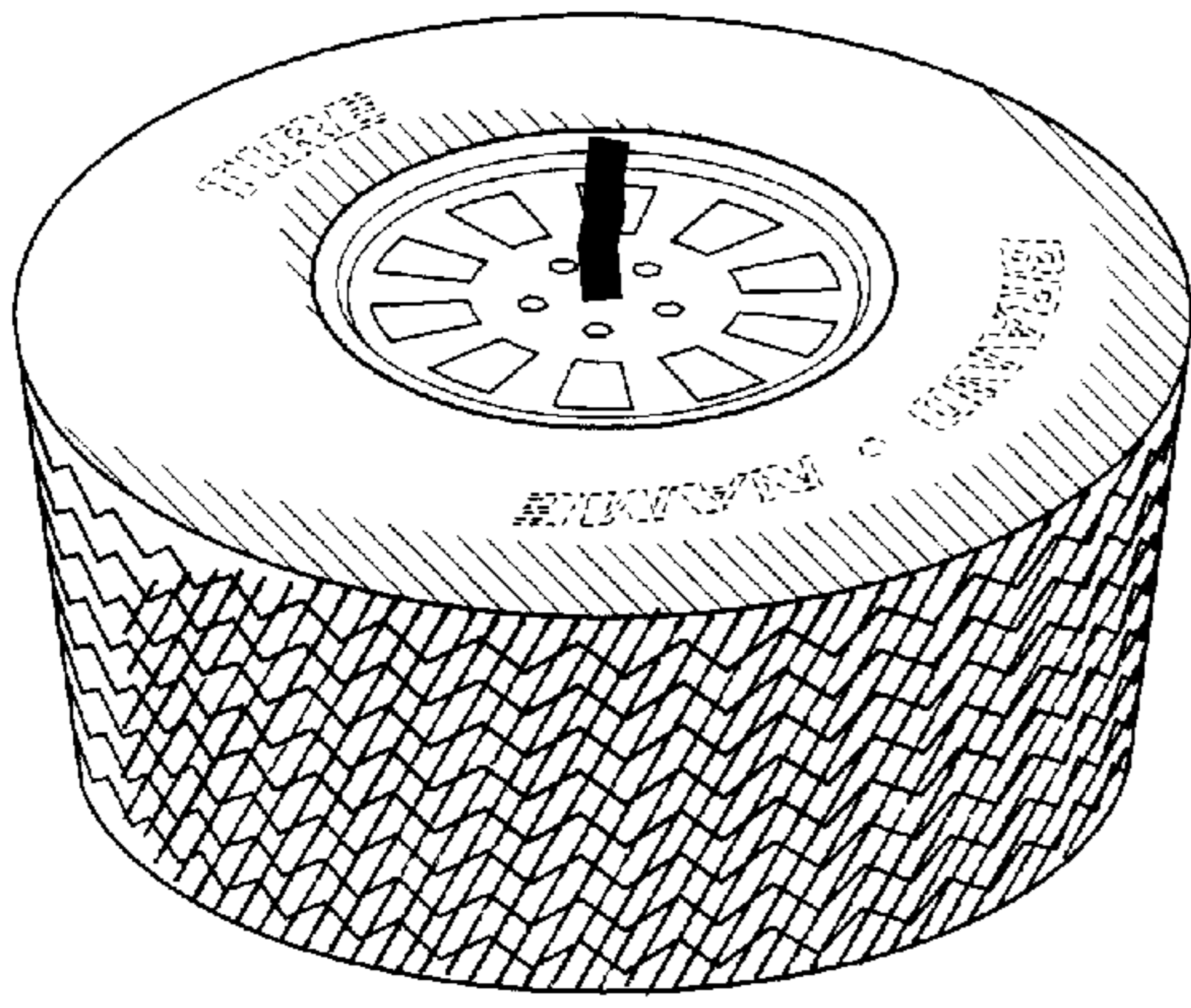


FIG. 1

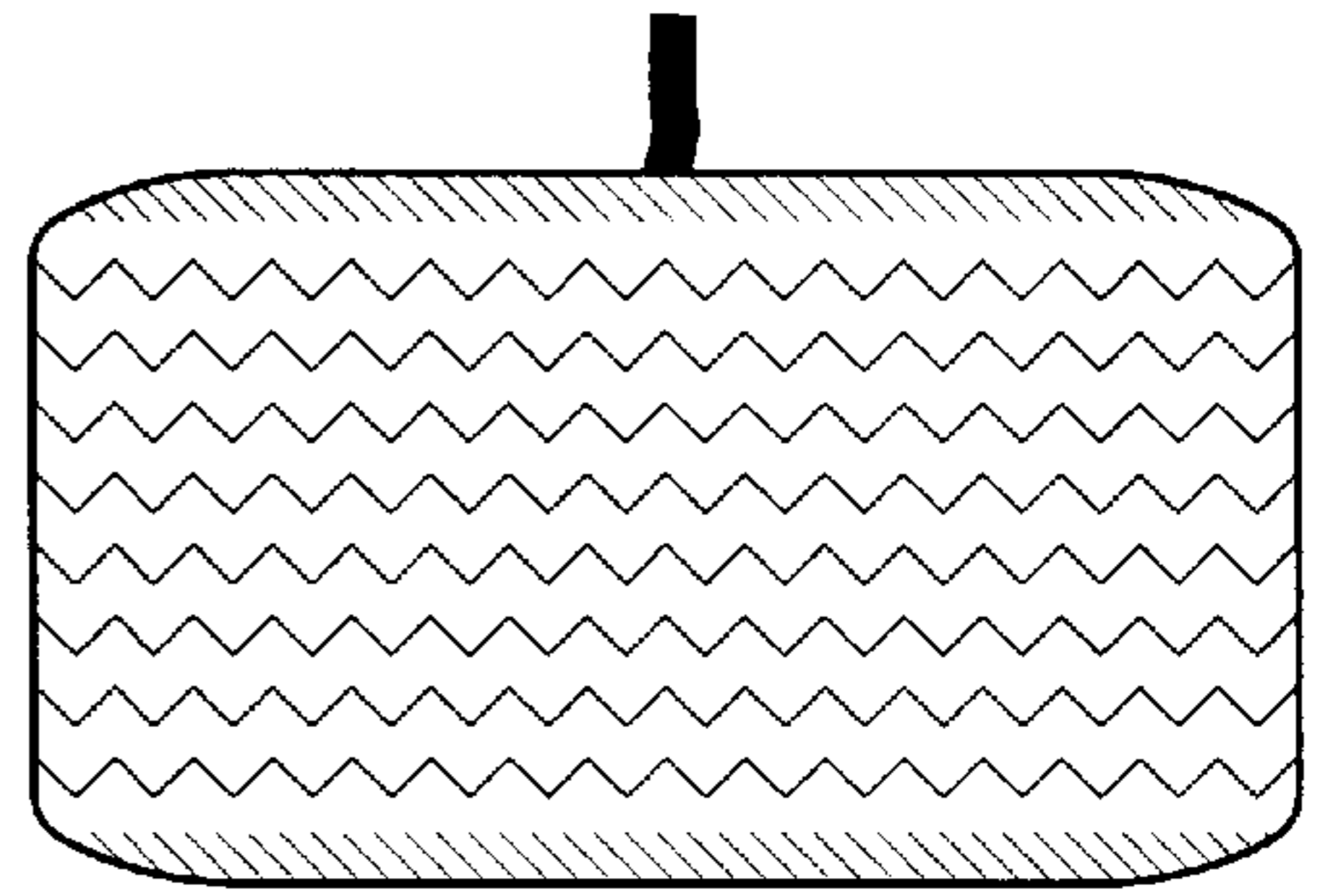


FIG. 2

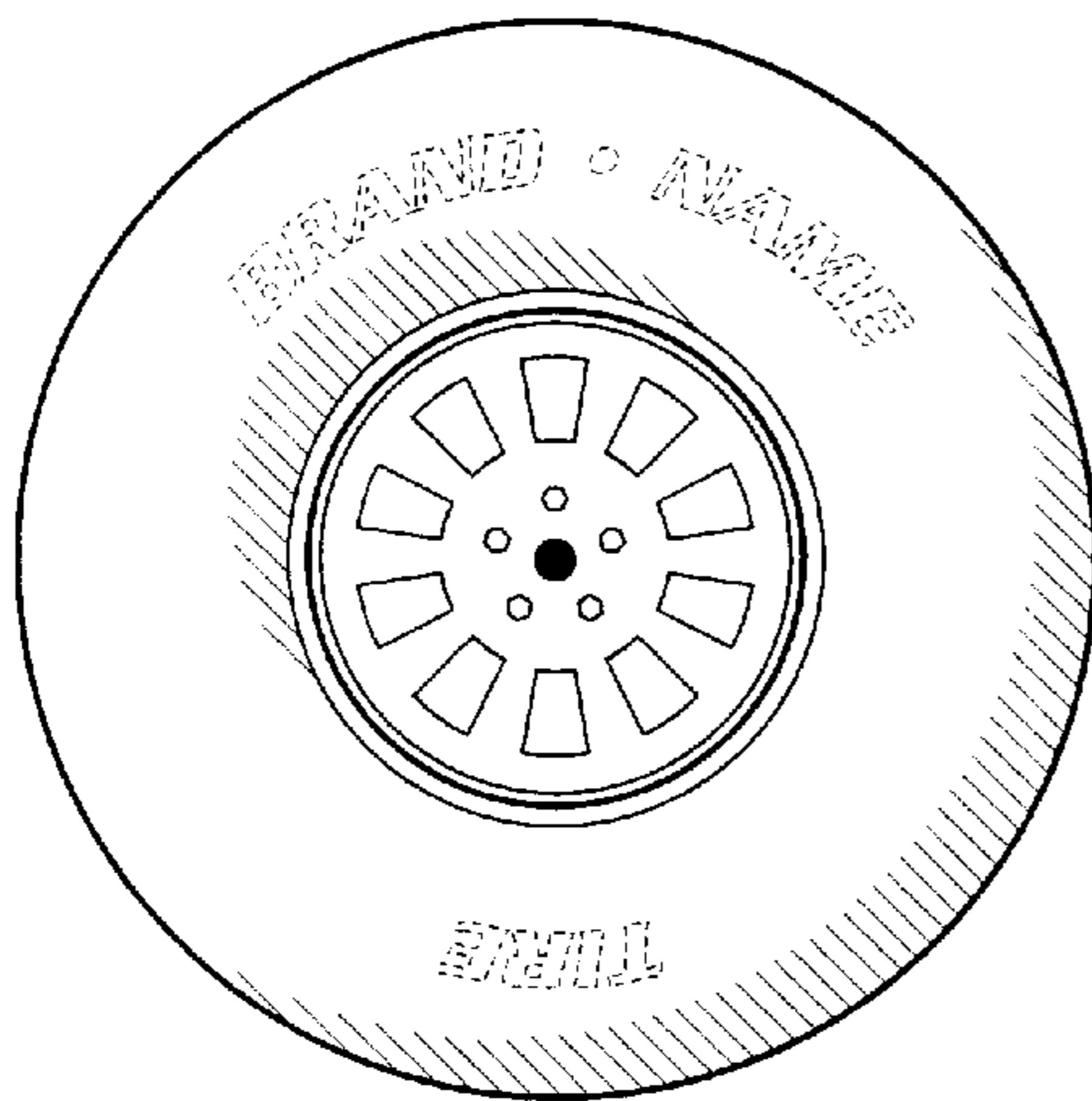


FIG. 3

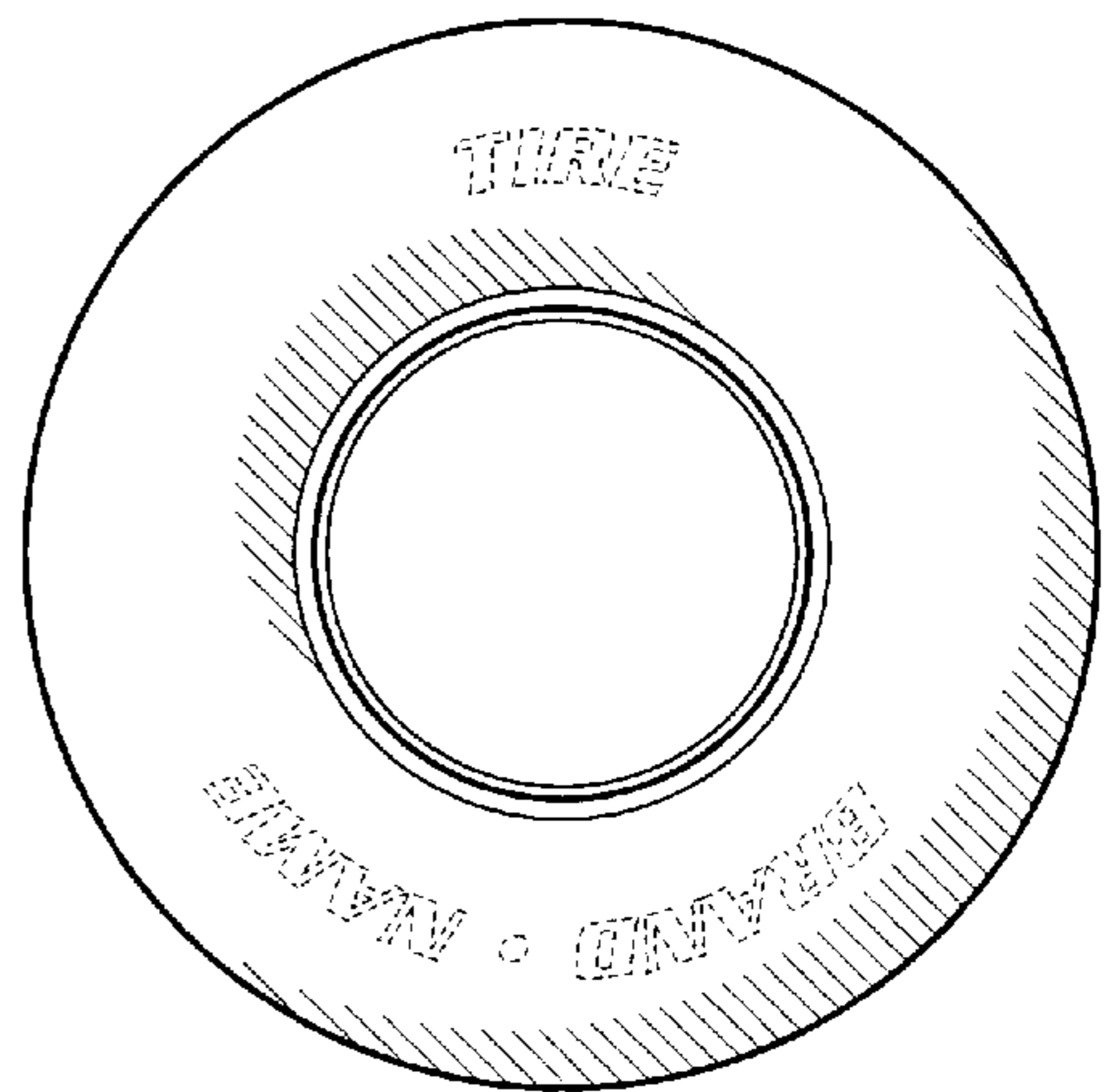


FIG. 4

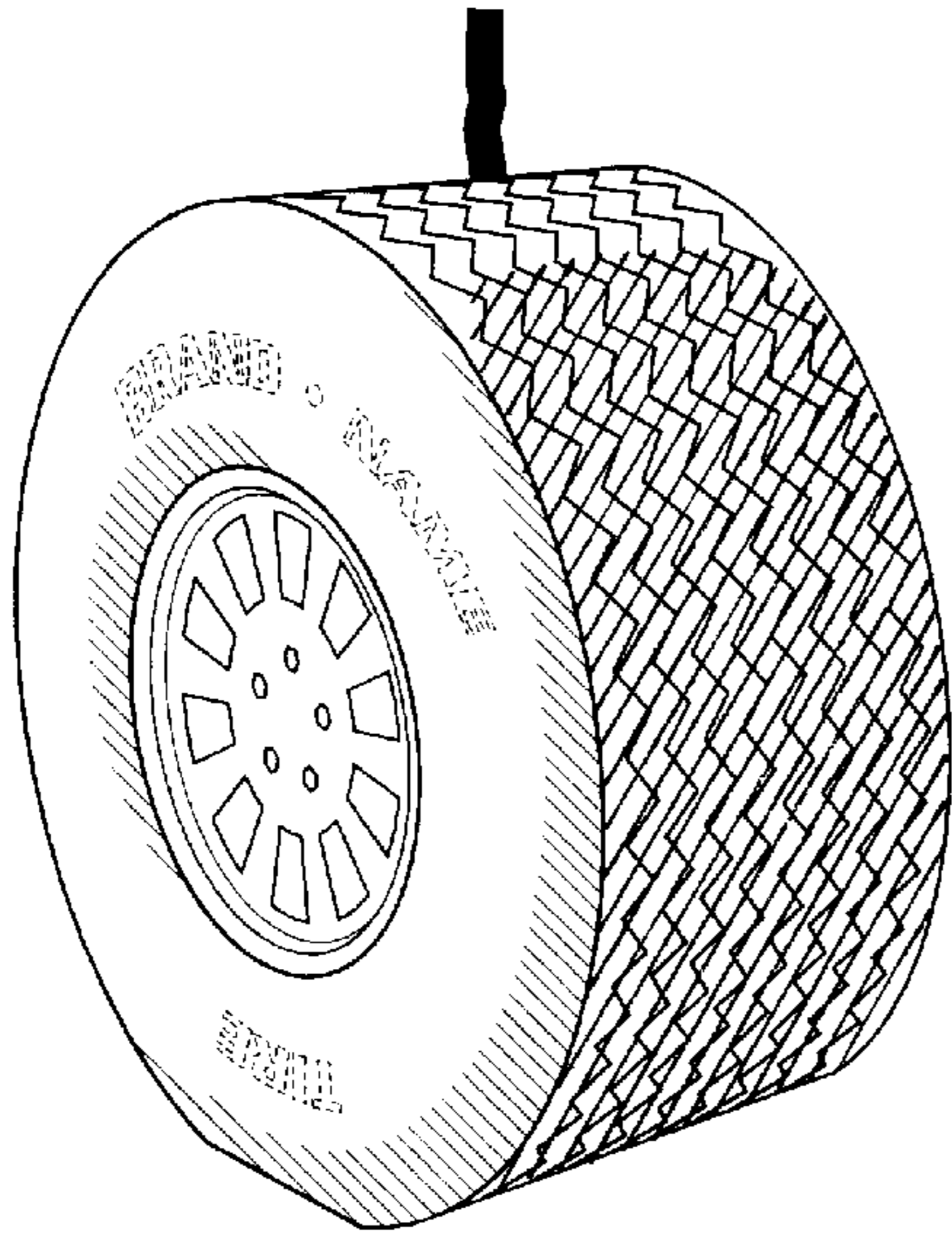


FIG. 5

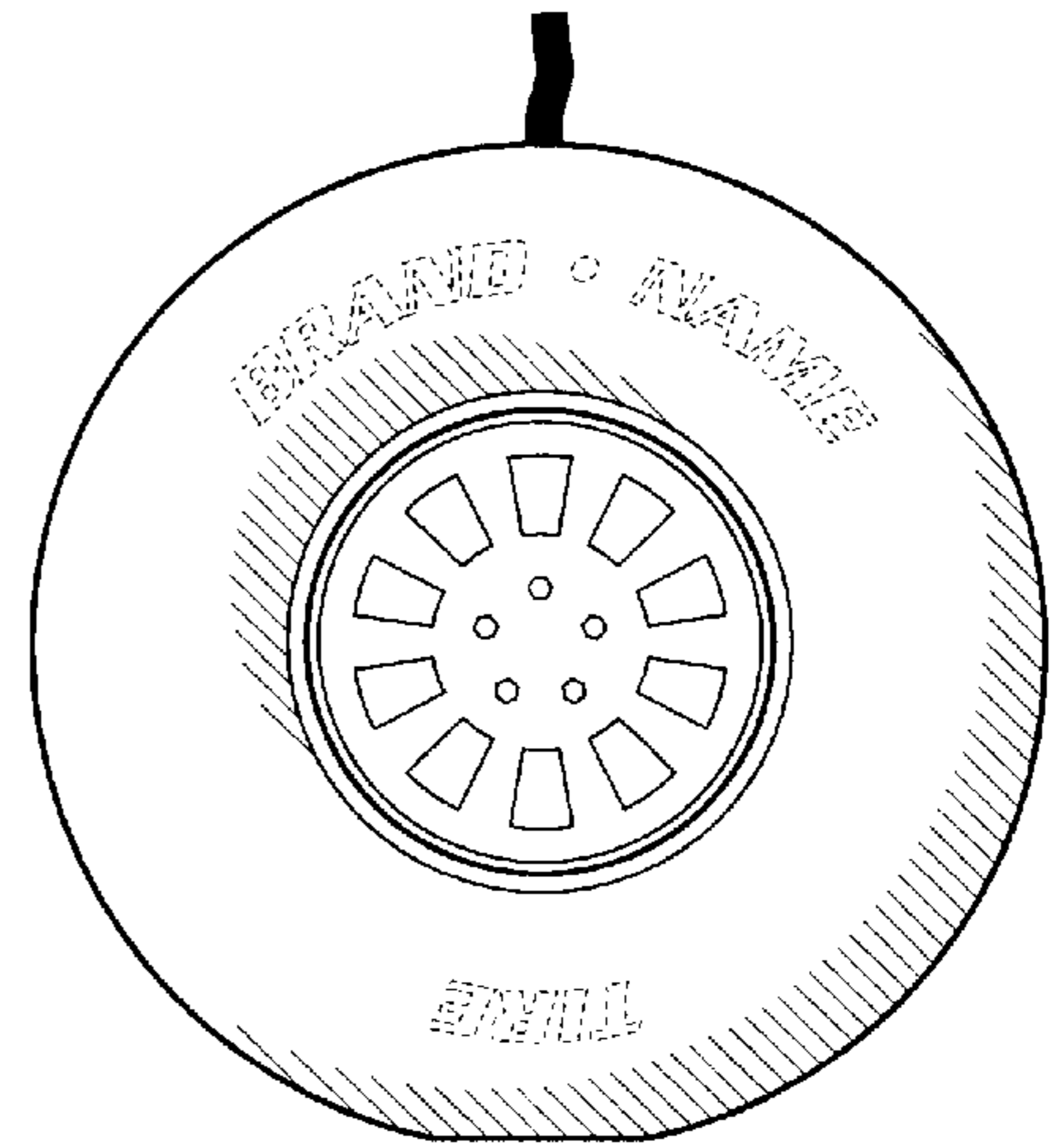


FIG. 6

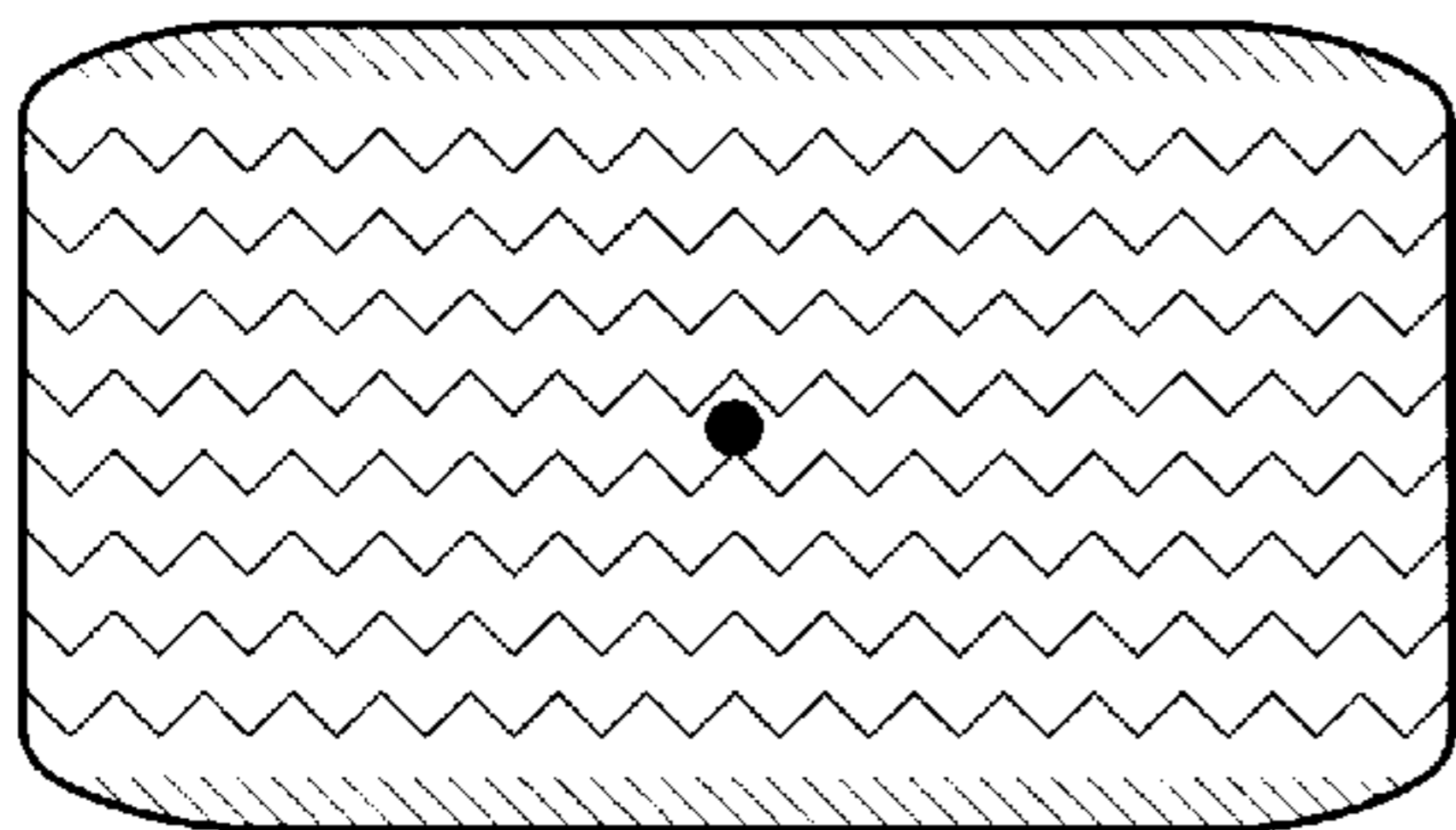


FIG. 7

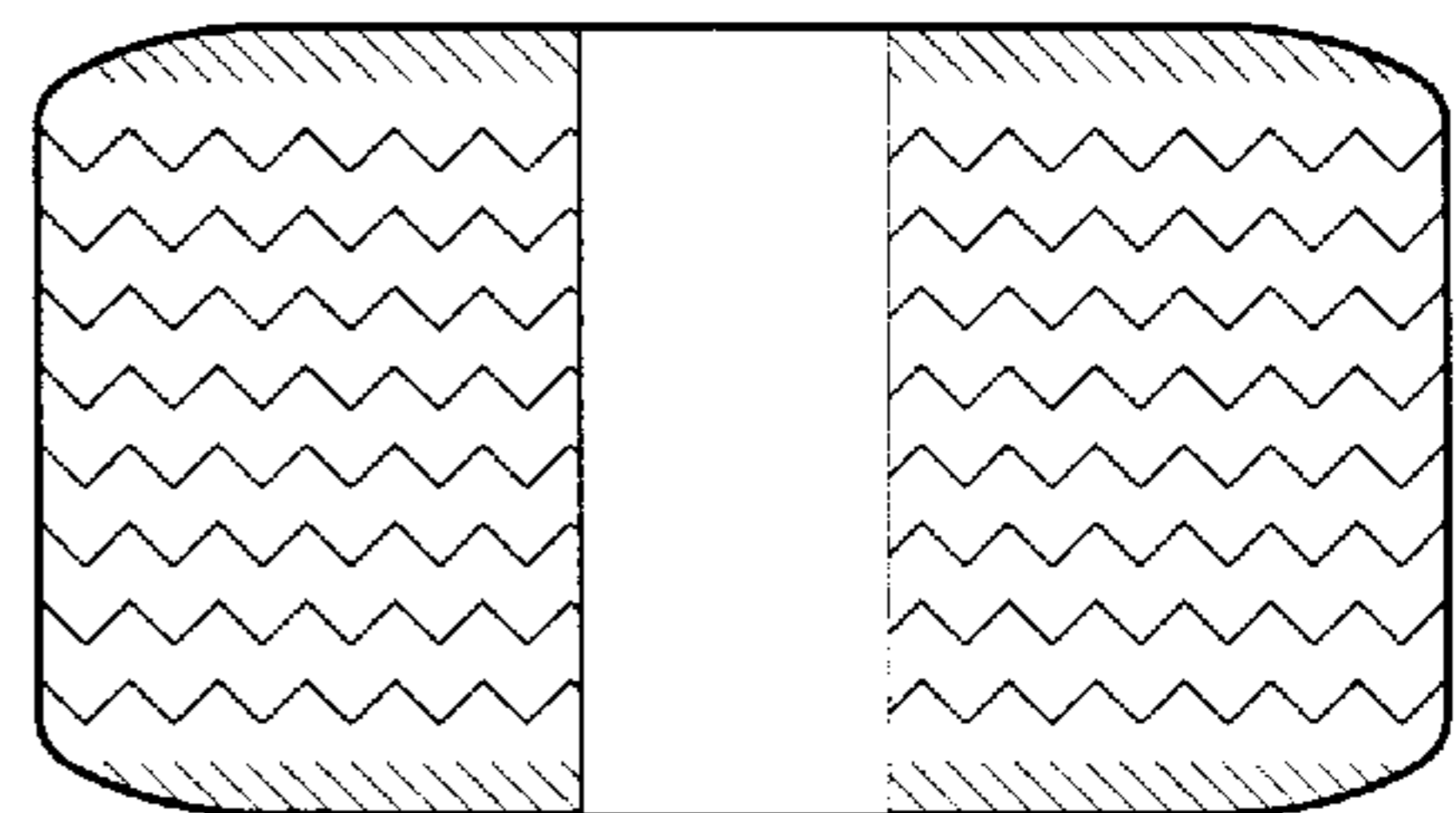


FIG. 8