



US00D439681S

(12) **United States Design Patent**
Choi

(10) **Patent No.:** **US D439,681 S**

(45) **Date of Patent:** **** Mar. 27, 2001**

(54) **COMPACT FLUORESCENT LAMP**

D. 334,245 * 3/1993 Blaisdell et al. D26/3
D. 414,883 * 10/1999 Kato et al. D26/3

(75) Inventor: **Keun dai Choi**, Seoul (KR)

* cited by examiner

(73) Assignee: **Jungwoo International Inc.**, Kimpo-shi (KR)

Primary Examiner—Marcus A. Jackson
(74) *Attorney, Agent, or Firm*—Jacobson, Price, Holman & Stern, PLLC

(**) Term: **14 Years**

(21) Appl. No.: **29/126,503**

(57) **CLAIM**

(22) Filed: **Jul. 19, 2000**

The ornamental design for compact fluorescent lamp, as shown and described.

(30) **Foreign Application Priority Data**

Jan. 19, 2000 (KR) 2000-1239

DESCRIPTION

(51) **LOC (7) Cl.** **26-06**

FIG. 1 is a perspective view;
FIG. 2 is a front elevational view;
FIG. 3 is a rear elevational view;
FIG. 4 is a left side elevational view;
FIG. 5 is a top plan view;
FIG. 6 is a bottom plan view; and,
FIG. 7 is a section view along lines 7—7 in FIG. 2.

(52) **U.S. Cl.** **D26/3**

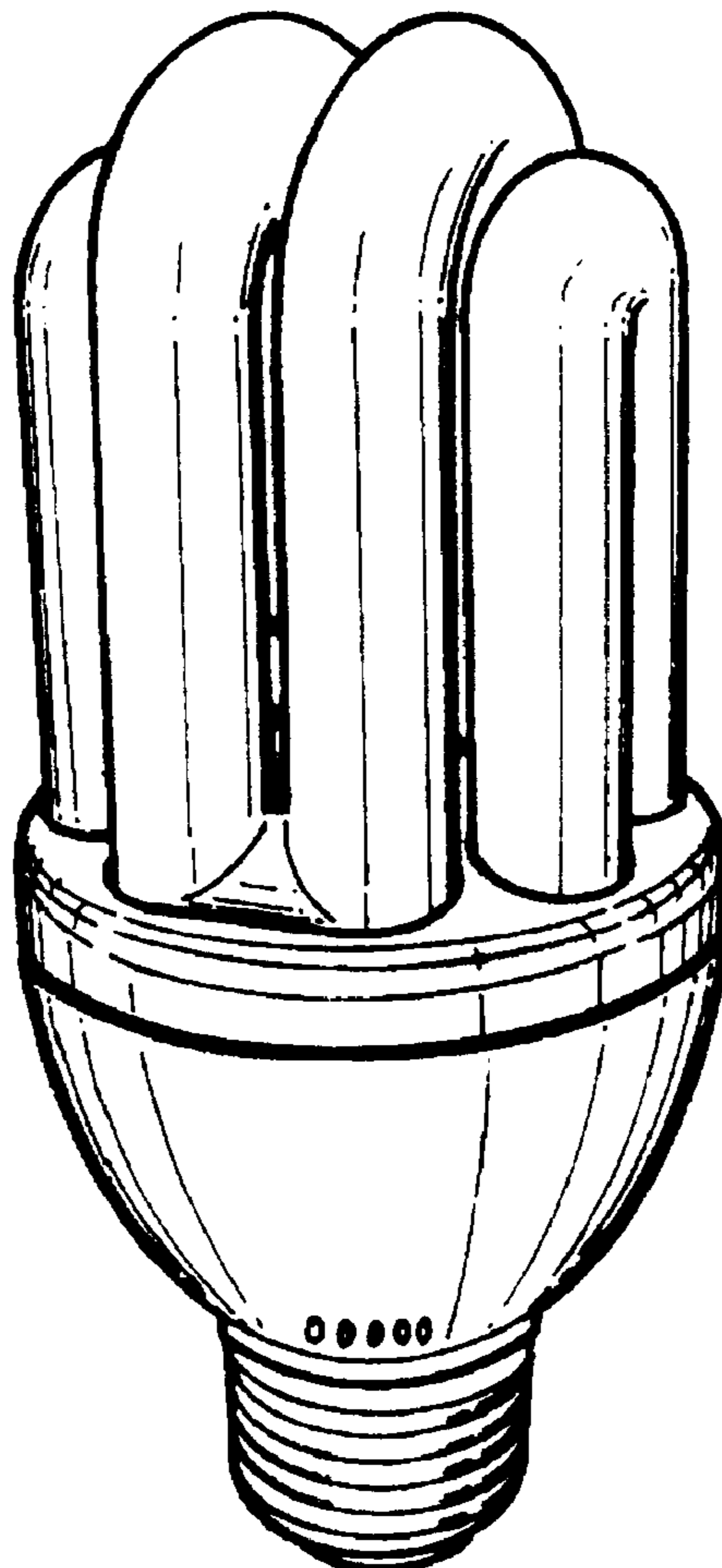
(58) **Field of Search** D26/1, 2, 3, 26;
313/313, 315, 317, 318, 493, 56, 57, 58,
63

(56) **References Cited**

U.S. PATENT DOCUMENTS

D. 334,244 * 3/1993 Shaffer et al. D26/3

1 Claim, 2 Drawing Sheets



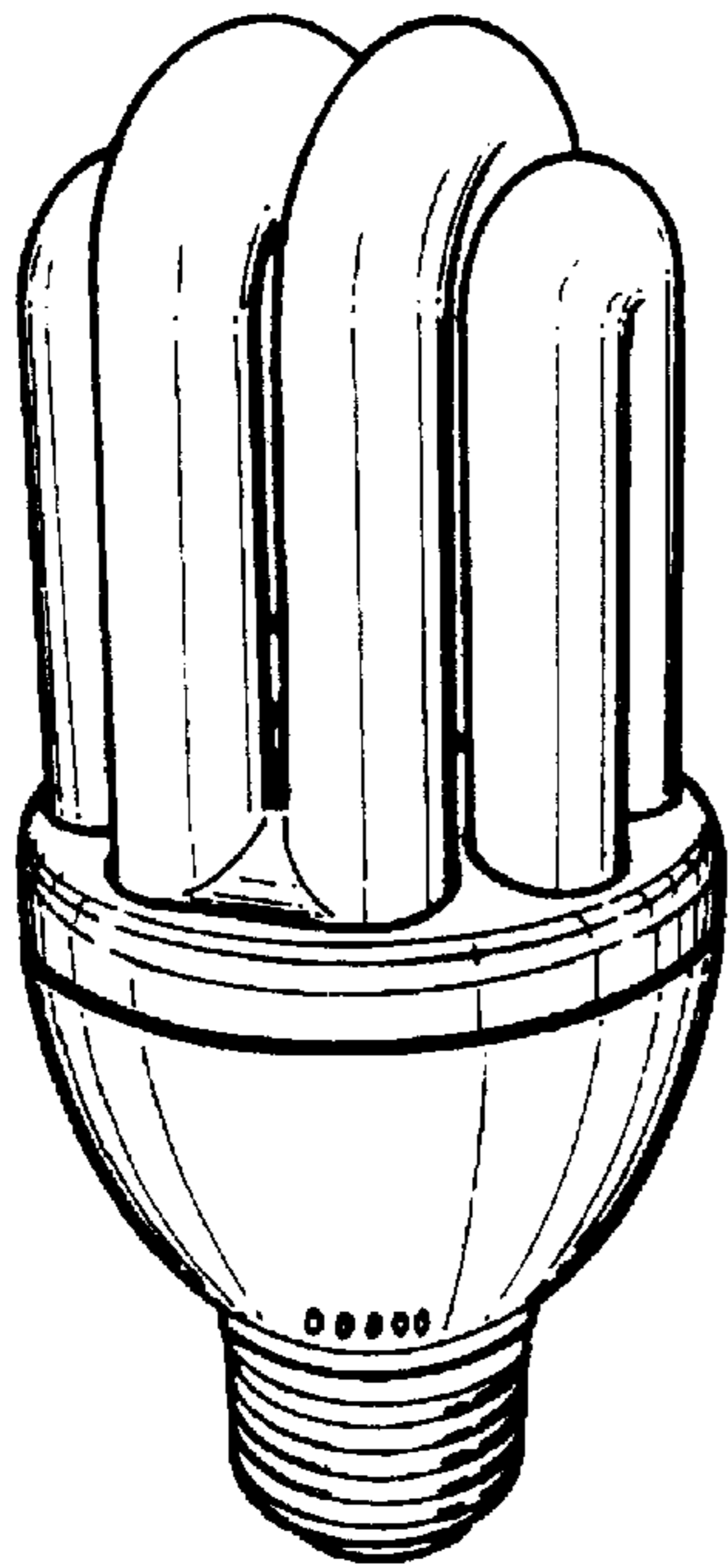


Fig. 1

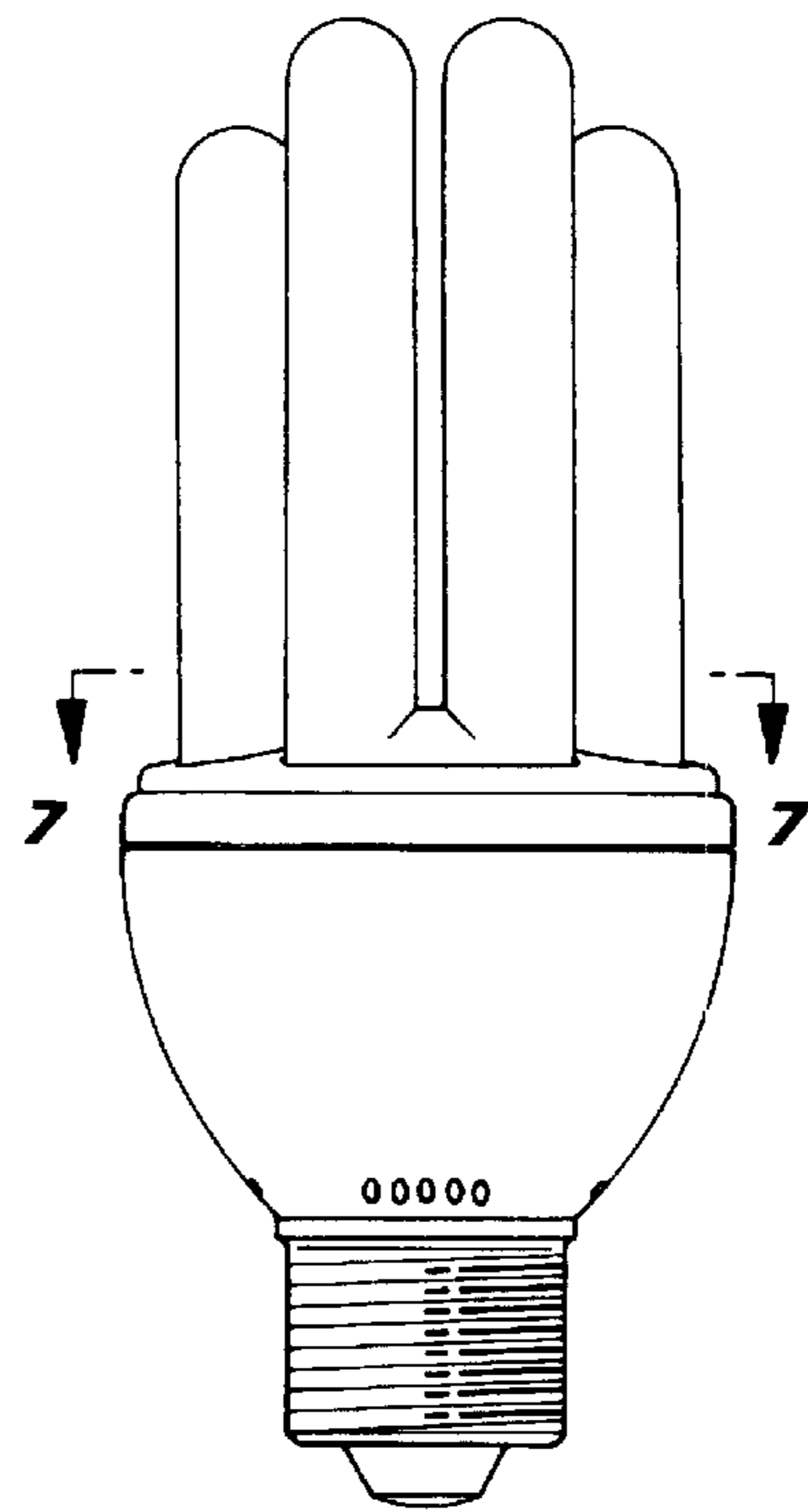


Fig. 2

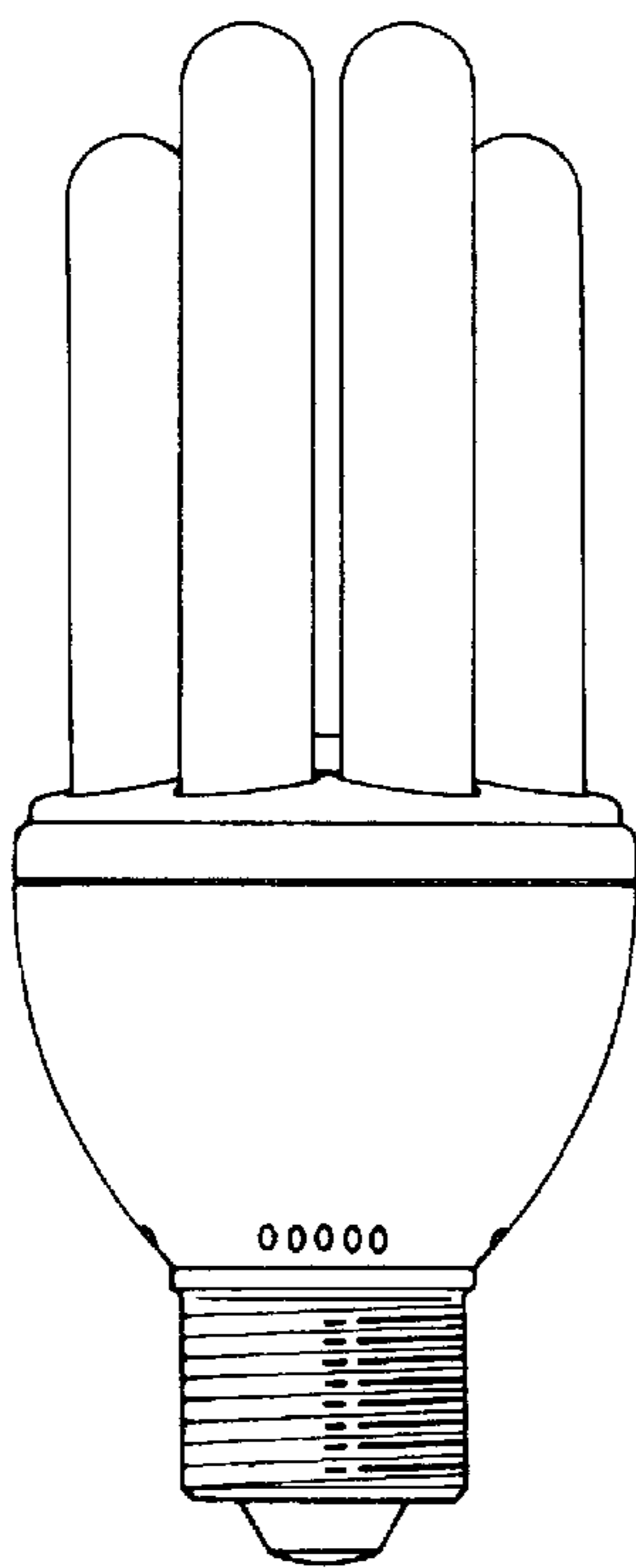


Fig. 3

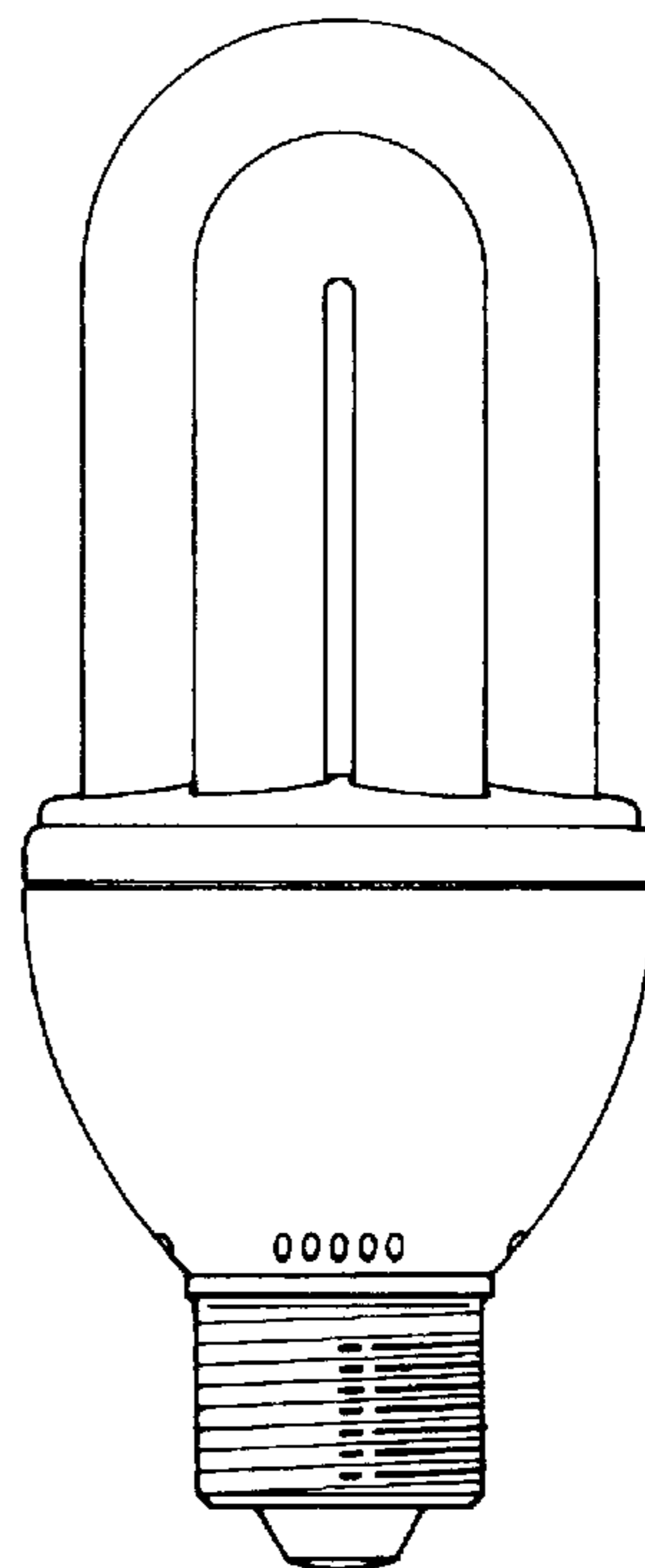


Fig. 4

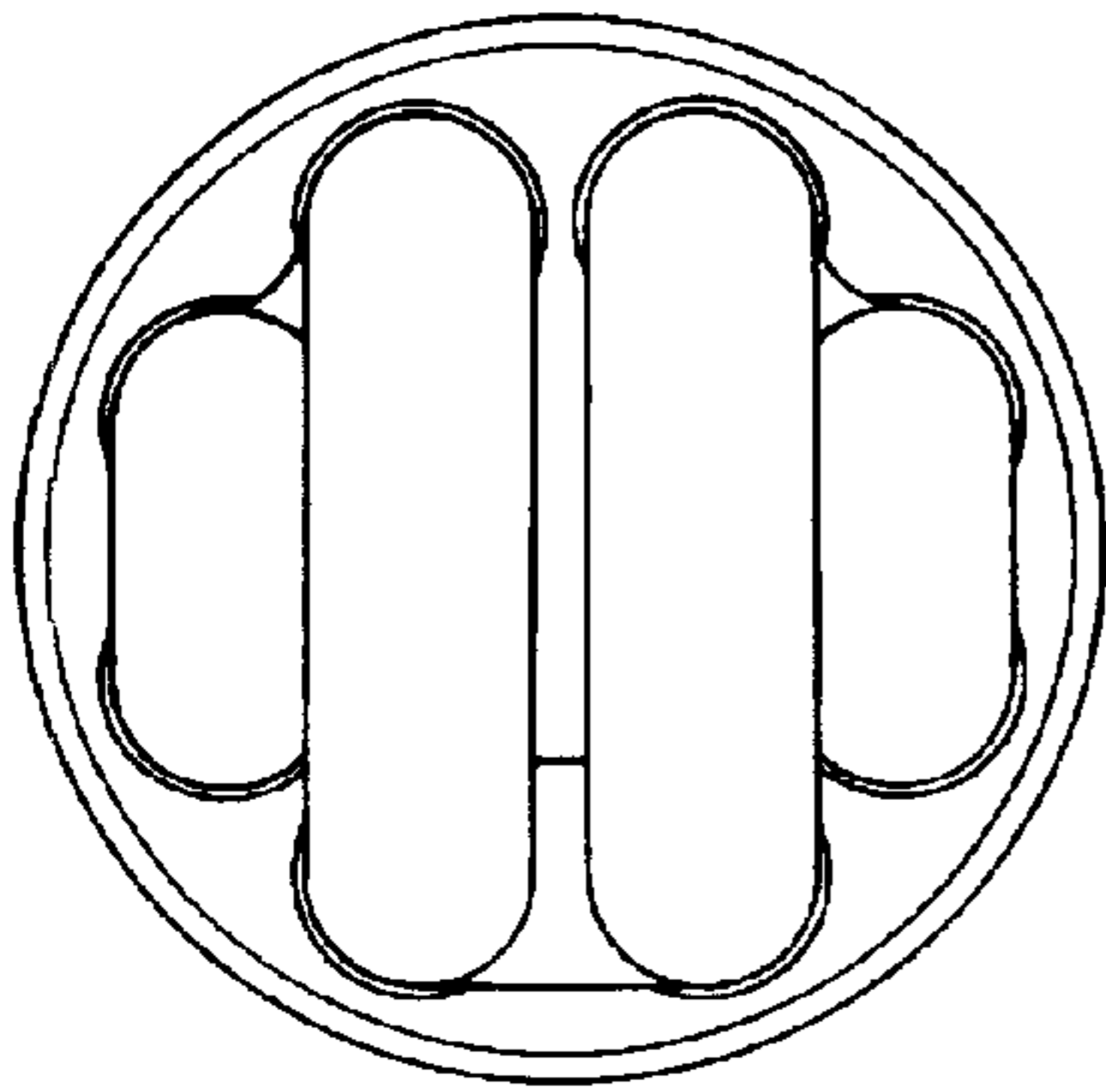


Fig. 5

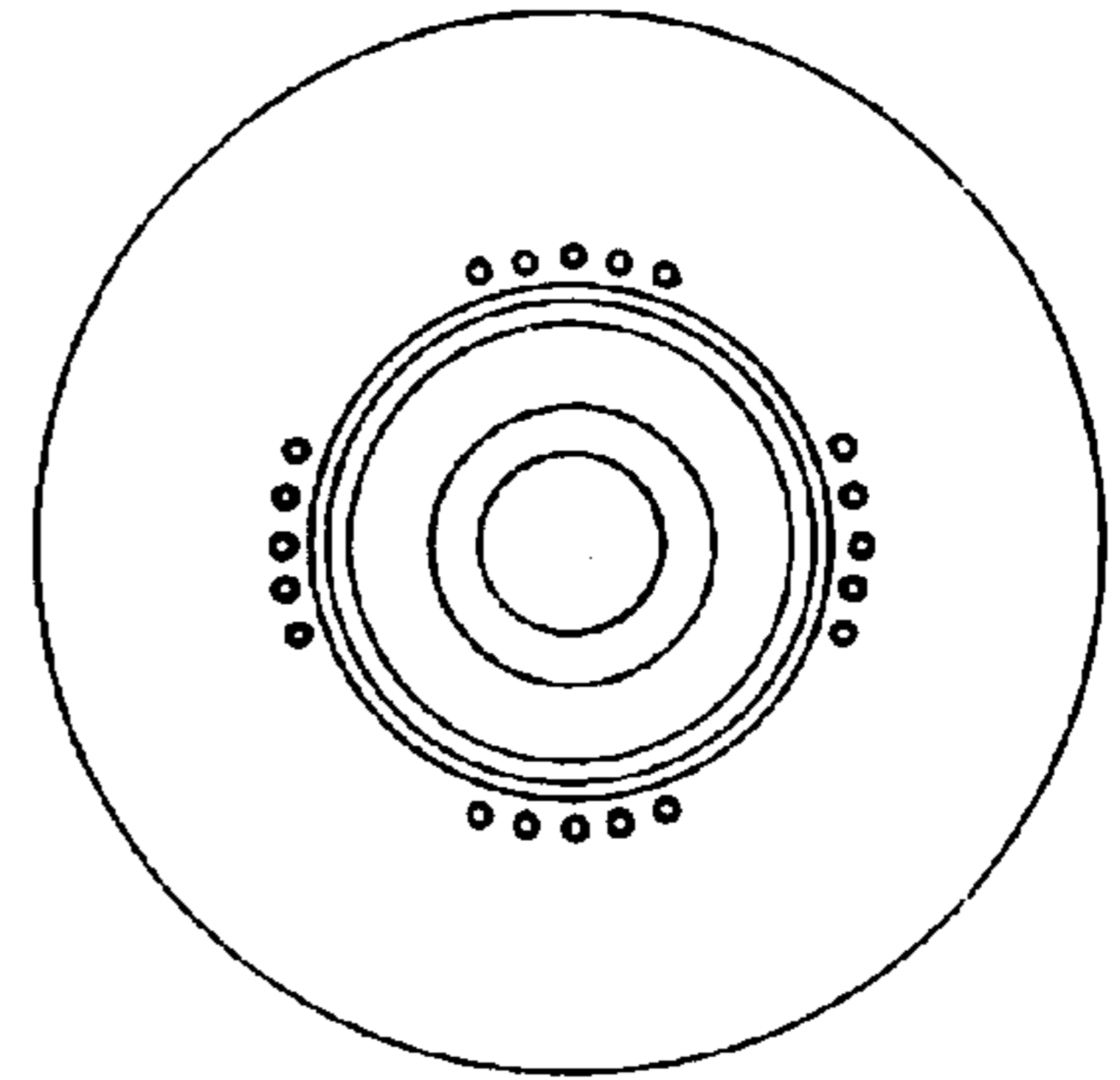


Fig. 6

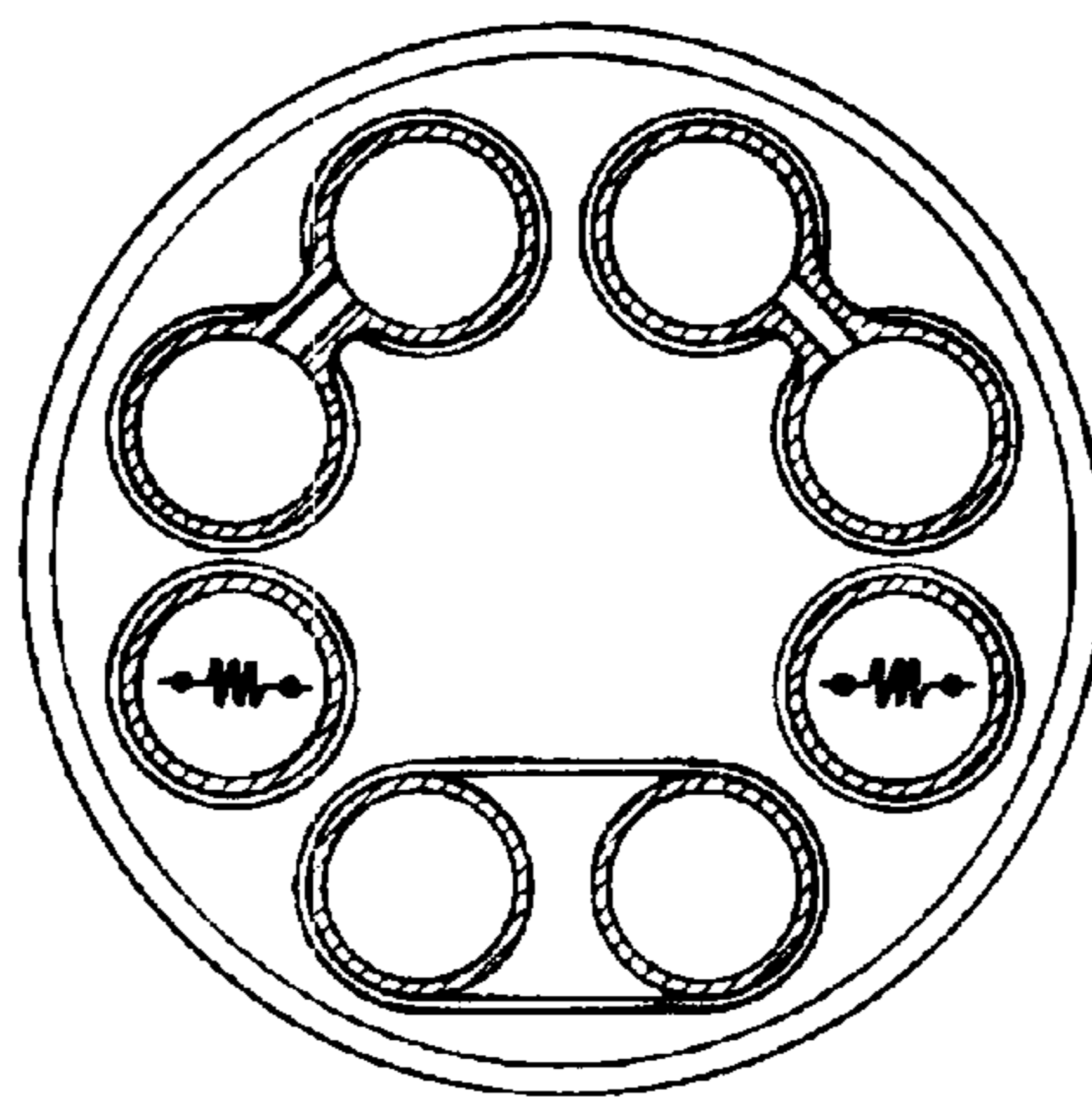


Fig. 7