



US00D439680S

(12) **United States Design Patent**
Bennett

(10) **Patent No.:** **US D439,680 S**

(45) **Date of Patent:** **** Mar. 27, 2001**

(54) **ALUMINUM END SNAP-ON PLATE**

4,936,065	6/1990	Hutchinson .	
5,184,441	*	2/1993	Balfanz, Jr. 52/800.12
5,274,975		1/1994	Haag .
5,772,185	*	6/1998	Pulsipher 52/465
5,806,261		9/1998	Huebner et al. .

(76) **Inventor:** **Lawrence Everett Bennett**, P.O. Box
214368, South Daytona, FL (US)
32121-4368

(**) **Term:** **14 Years**

* cited by examiner

(21) **Appl. No.:** **29/120,806**

Primary Examiner—Doris Clark
(74) *Attorney, Agent, or Firm*—Larson & Larson, P.A.;
James E. Larson

(22) **Filed:** **Mar. 27, 2000**

Related U.S. Application Data

(63) Continuation-in-part of application No. 09/103,788, filed on
Jun. 19, 1998, now abandoned.

(51) **LOC (7) Cl.** **25-01**

(52) **U.S. Cl.** **D25/164**

(58) **Field of Search** D25/136, 138,
D25/139, 144, 164; 52/92.3, 96, 465, 468,
556, 800, 800.11, 800.12, 716.1, 718.04

(56) **References Cited**

U.S. PATENT DOCUMENTS

D. 56,704	*	11/1920	Mueller	D25/164
2,803,858	*	8/1957	Rader	52/468
3,302,350		2/1967	Brown et al.	.	
3,940,900		3/1976	Russo	.	
4,437,278		3/1984	Thomas, Jr.	.	

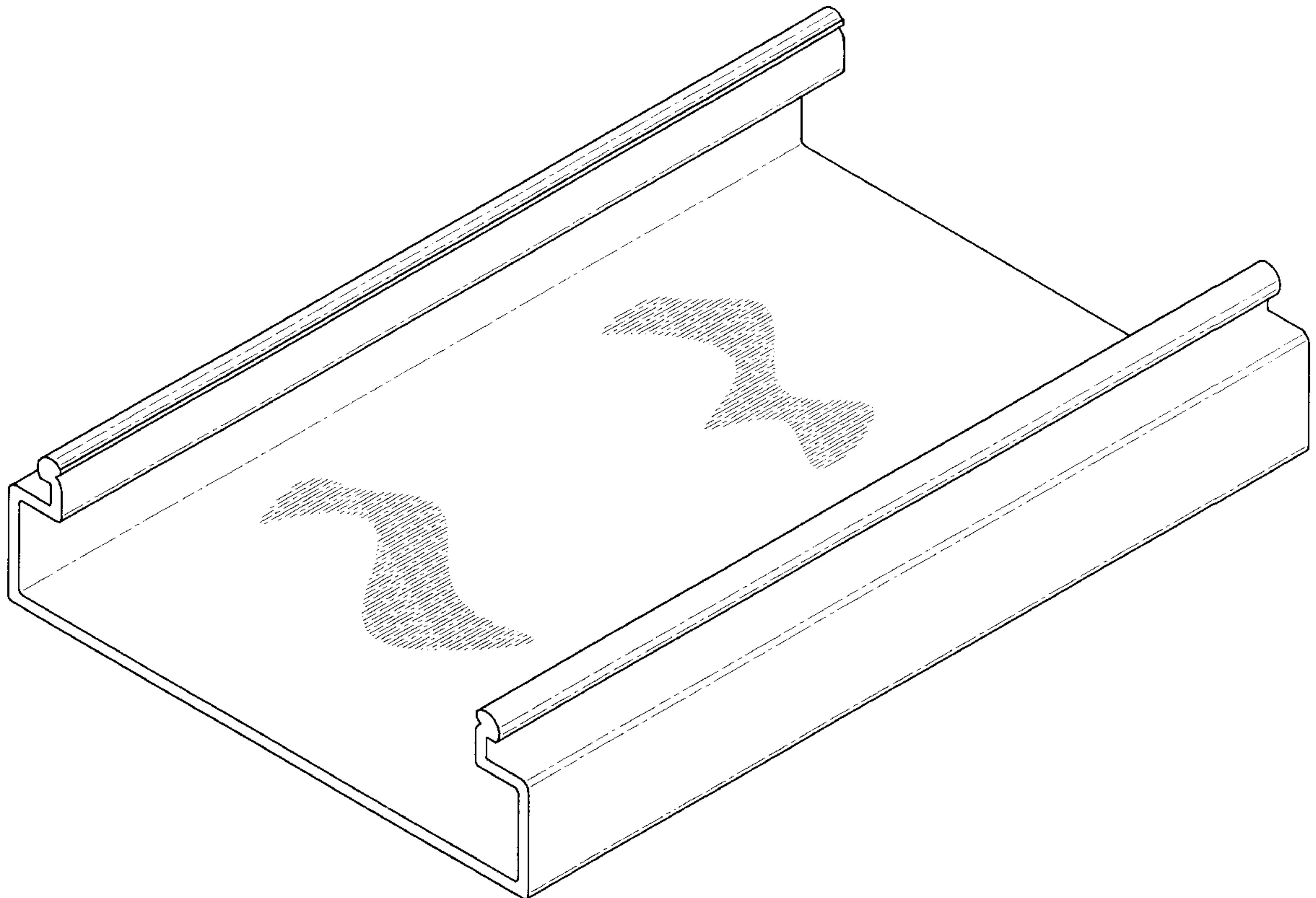
(57) **CLAIM**

The ornamental design for an aluminum end snap-on plate,
as shown and described.

DESCRIPTION

FIG. 1 is a perspective view of an aluminum end snap-on
plate showing my new design;
FIG. 2 is a front view, the back view being identical thereof;
FIG. 3 is a left side view, the right side view being identical
thereof;
FIG. 4 is a top plan view thereof; and,
FIG. 5 is a bottom plan view thereof.
The broken lines shown in FIG. 2 are for illustrative
purposes only and form no part of the overall claimed
design.

1 Claim, 4 Drawing Sheets



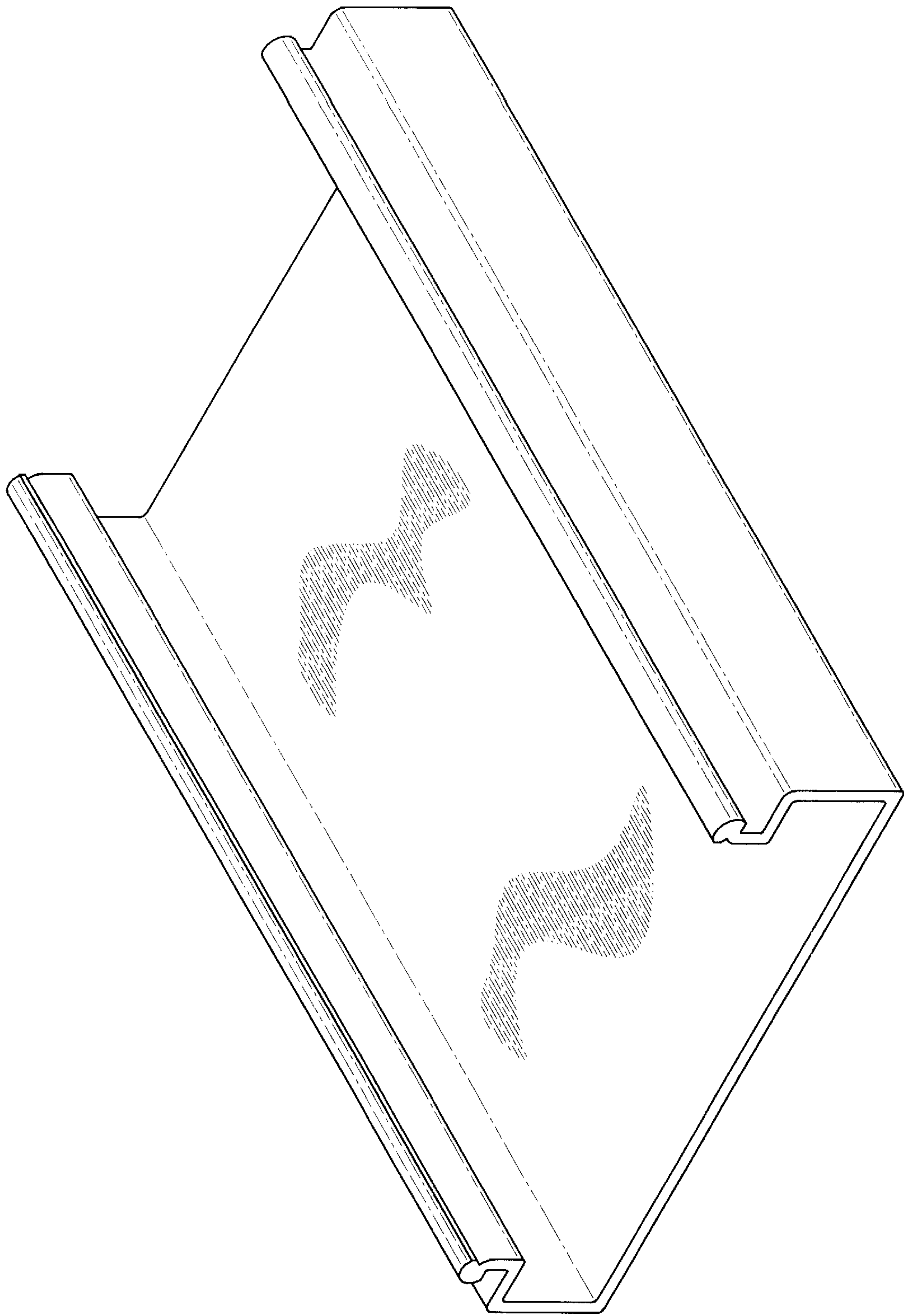


Fig. 1

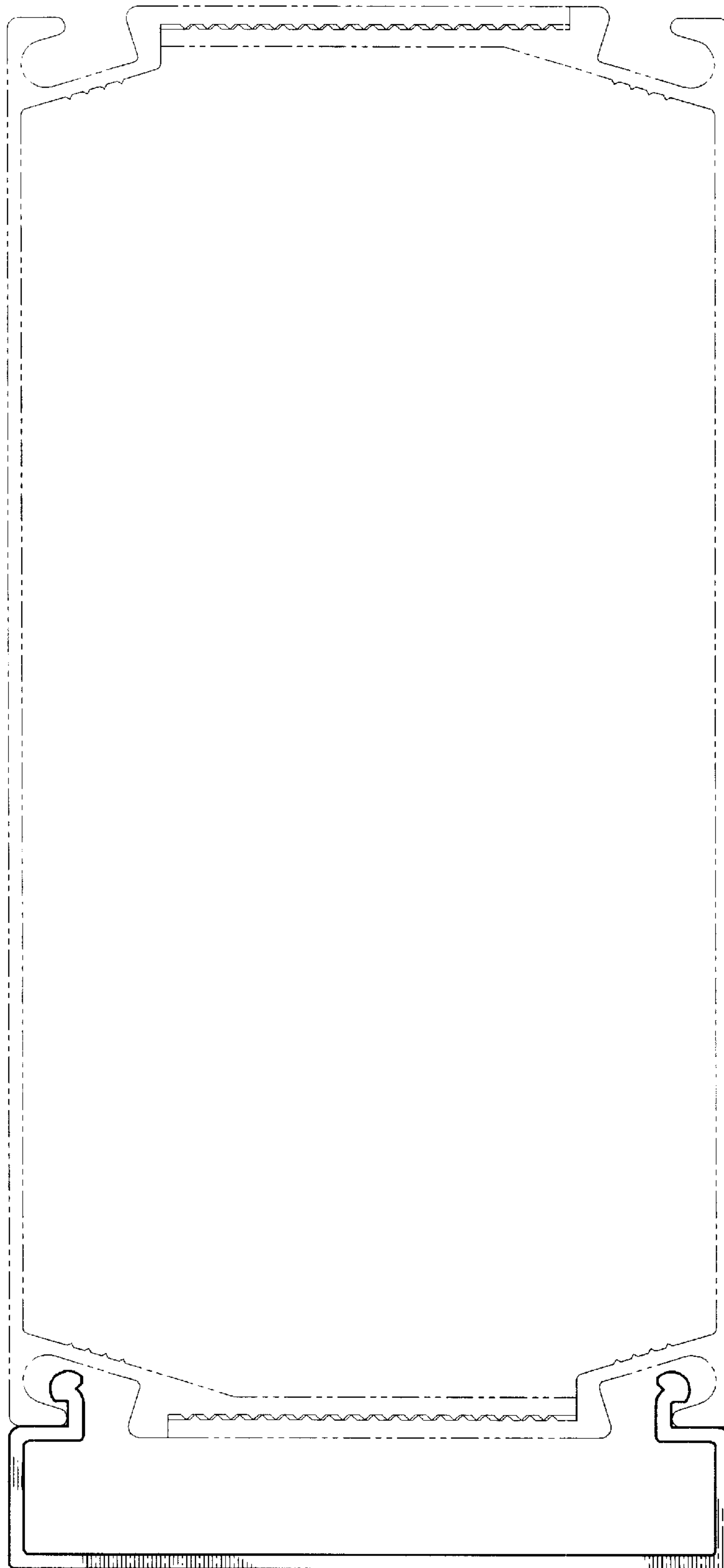


Fig. 2

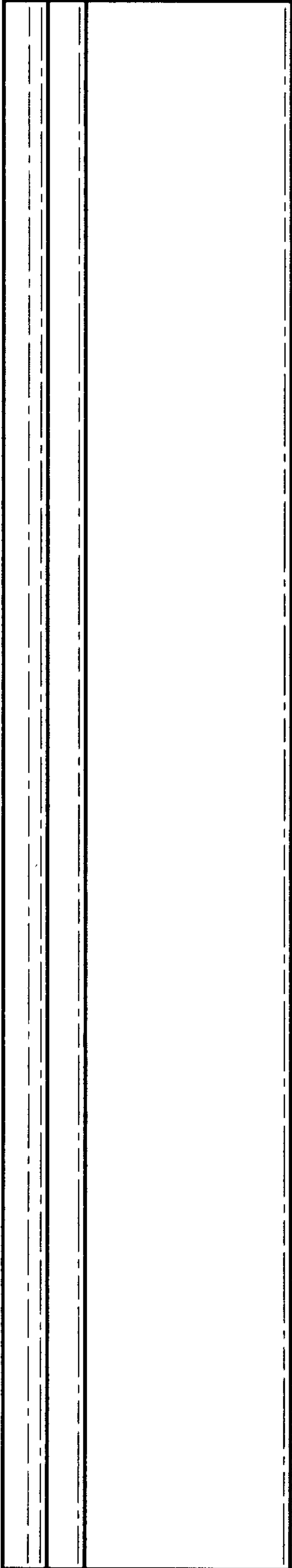


Fig. 3

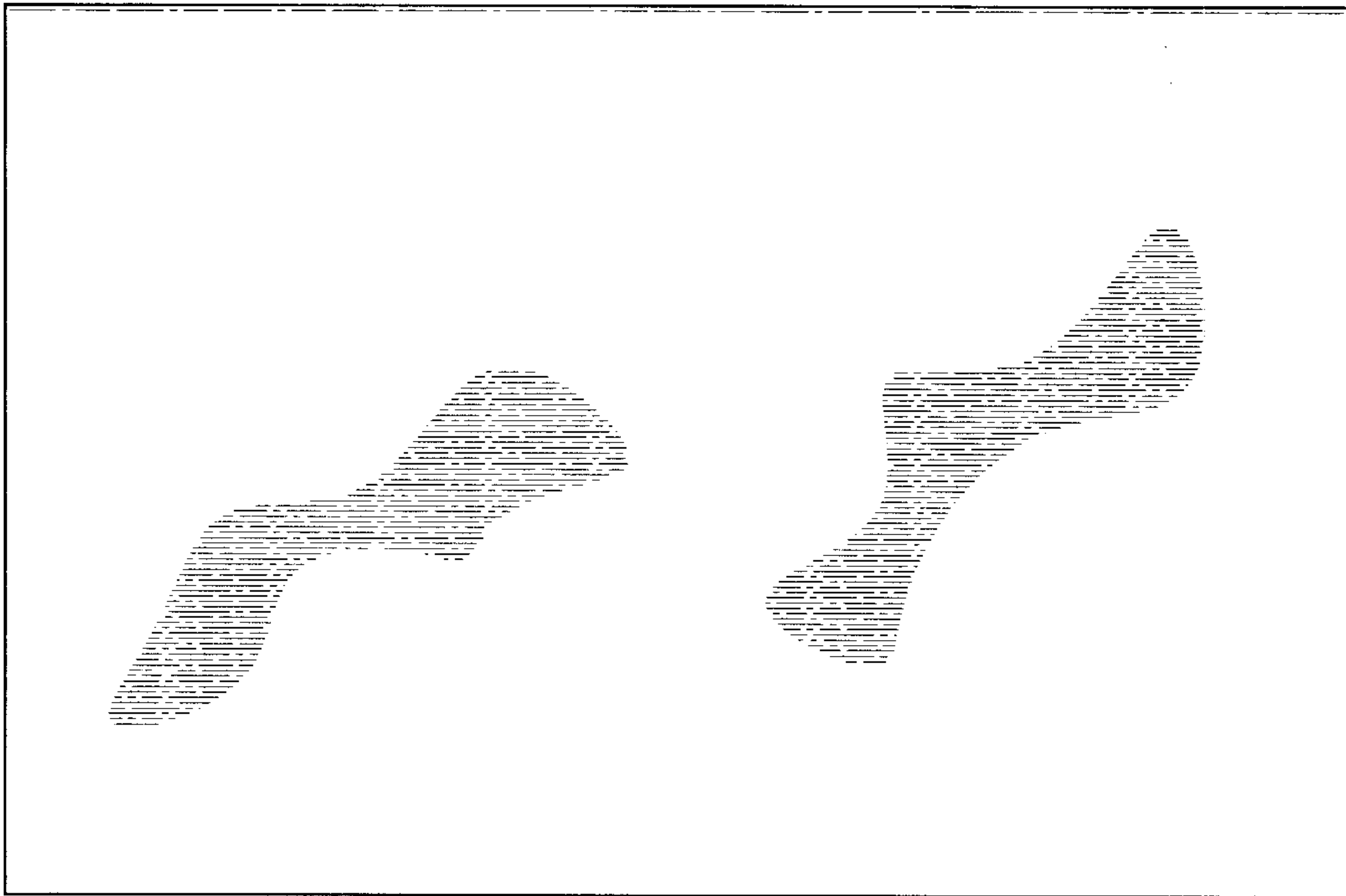


Fig. 5

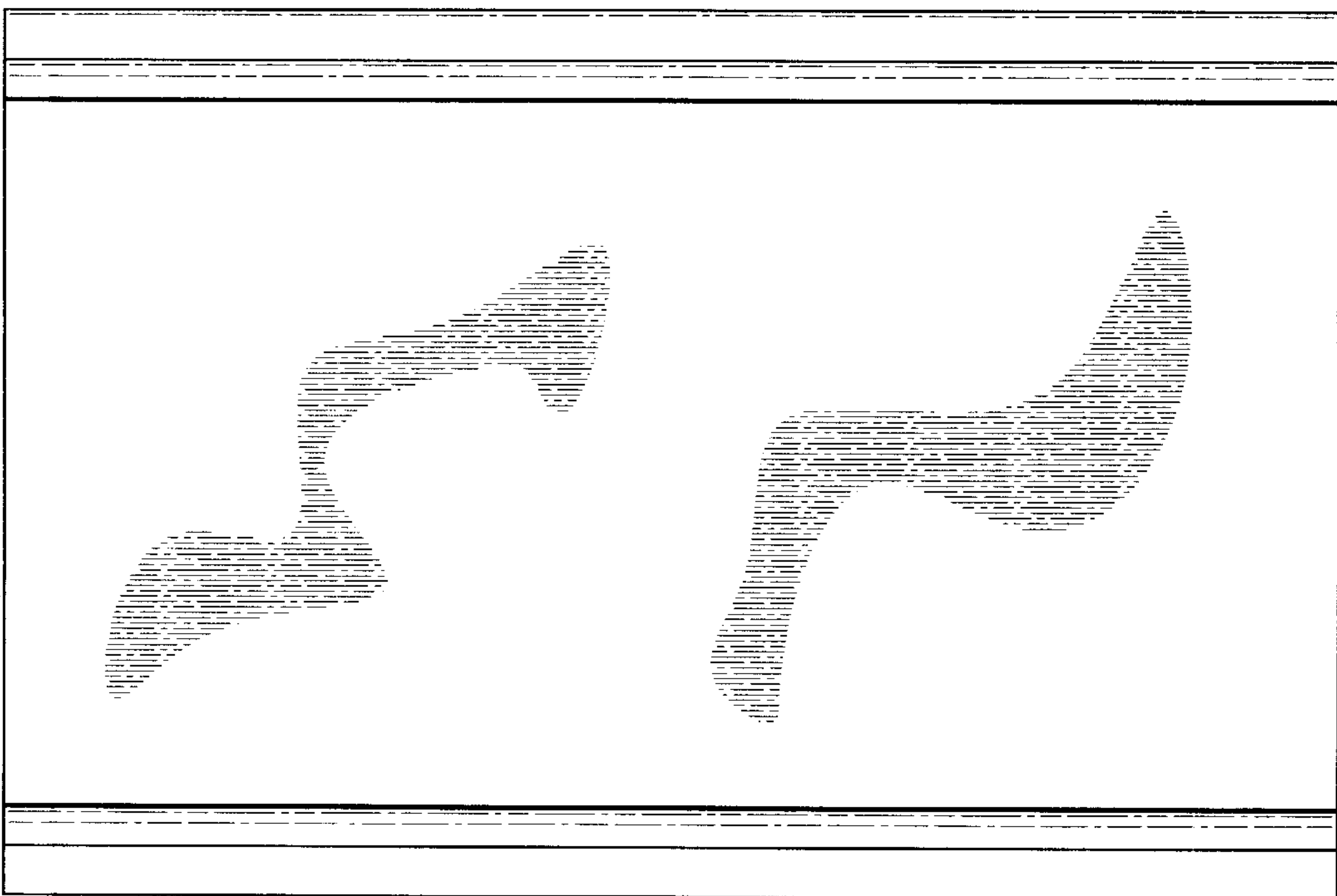


Fig. 4