



US00D439678S

(12) **United States Design Patent**  
**Blomquist et al.**

(10) **Patent No.:**

**US D439,678 S**

(45) **Date of Patent:**

**\*\* Mar. 27, 2001**

- (54) **MASONRY BLOCK**
- (75) Inventors: **Peter J. Blomquist**, Melbourne Beach, FL (US); **Todd P. Strand**, Marine on St. Croix, MN (US)
- (73) Assignee: **Kiltie Corp.**, Oakdale, MN (US)
- (\*\*) Term: **14 Years**

- 709599 6/1966 (IT) .
- 215196 12/1989 (NZ) .
- 24781 5/1993 (NZ) .
- 25132 6/1994 (NZ) .
- 25133 6/1994 (NZ) .
- 27675 4/1996 (NZ) .
- 27346 9/1996 (NZ) .
- 27677 9/1996 (NZ) .

**OTHER PUBLICATIONS**

- (21) Appl. No.: **29/118,202**
- (22) Filed: **Feb. 4, 2000**
- (51) **LOC (7) Cl.** ..... **25-01**
- (52) **U.S. Cl.** ..... **D25/115**
- (58) **Field of Search** ..... D25/102, 113-118, D25/164, 199, 150; D21/484-486, 488-492, 499-500; 52/582.1, 588.1, 596, 575, 606, 607; 404/29, 34, 39-42; 405/284-287, 287.1, 16, 272-273

Johnson Block retaining wall system, Undated.\*  
 Angelus Block Co., Inc., Split Face, 1989.  
 Timothy O. Bakke, 3 easy holdups, Jul. 1989.  
 Besser, Terrace Block, publication material, undated.  
 Diamond Wall System Installation Guide, date unknown.  
 Johnson Block, Retaining Wall System, date unknown.  
 Orco Block Co., Inc., Split Face Block Catalog, Nov. 1990.  
 Keystone Retaining Wall Systems, International Compac Unit, 1992.

*Primary Examiner*—Louis S. Zarfes  
*Assistant Examiner*—Robert A. Delehanty  
 (74) *Attorney, Agent, or Firm*—Kinney & Lange, P.A.

(56) **References Cited**

**U.S. PATENT DOCUMENTS**

- D. 317,209 \* 5/1991 Forsberg ..... D25/114
- 4,001,988 1/1977 Riefler ..... 52/125

(List continued on next page.)

**FOREIGN PATENT DOCUMENTS**

- 531354 10/1856 (CA) .
- 62875 4/1989 (CA) .
- 63366 5/1989 (CA) .
- 2012286 3/1990 (CA) .
- 66760 8/1990 (CA) .
- 657172 8/1986 (CH) .
- 170113 2/1986 (EP) .
- 215991 4/1987 (EP) .
- 322668 7/1989 (EP) .
- 362110 4/1990 (EP) .
- 2465032 9/1979 (FR) .
- 2561684 3/1984 (FR) .
- 2127872 4/1984 (GB) .

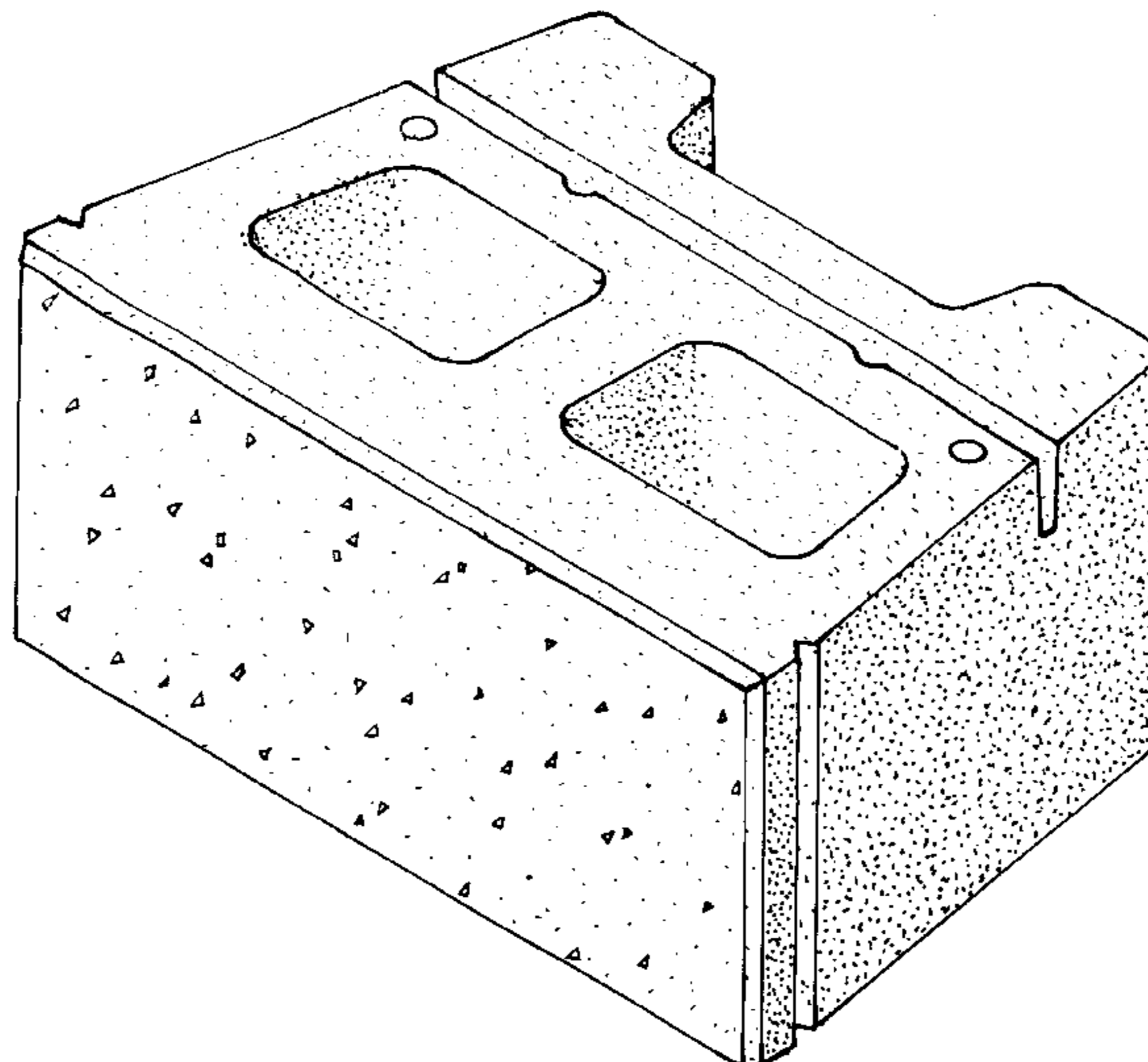
(57) **CLAIM**

The ornamental design for a masonry block, as shown and described.

**DESCRIPTION**

FIG. 1 is a perspective view of a masonry block of our new design;  
 FIG. 2 is a side elevational view thereof, as taken from the right in FIG. 1;  
 FIG. 3 is a side elevational view thereof, as taken from the left in FIG. 1;  
 FIG. 4 is a front elevational view thereof;  
 FIG. 5 is a rear elevational view thereof;  
 FIG. 6 is a top plan view thereof; and,  
 FIG. 7 is a bottom plan view thereof.

**1 Claim, 3 Drawing Sheets**



# US D439,678 S

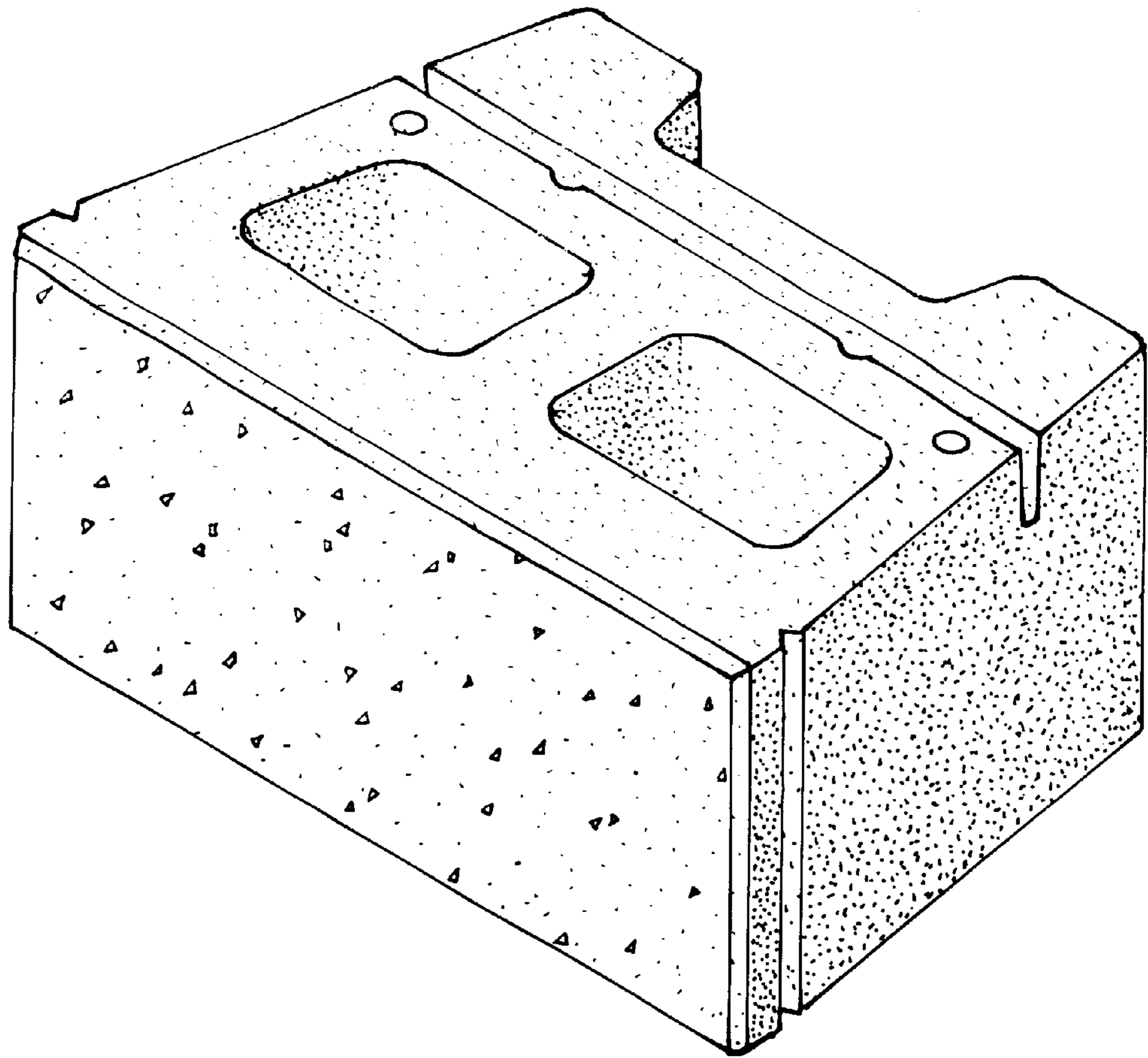
Page 2

---

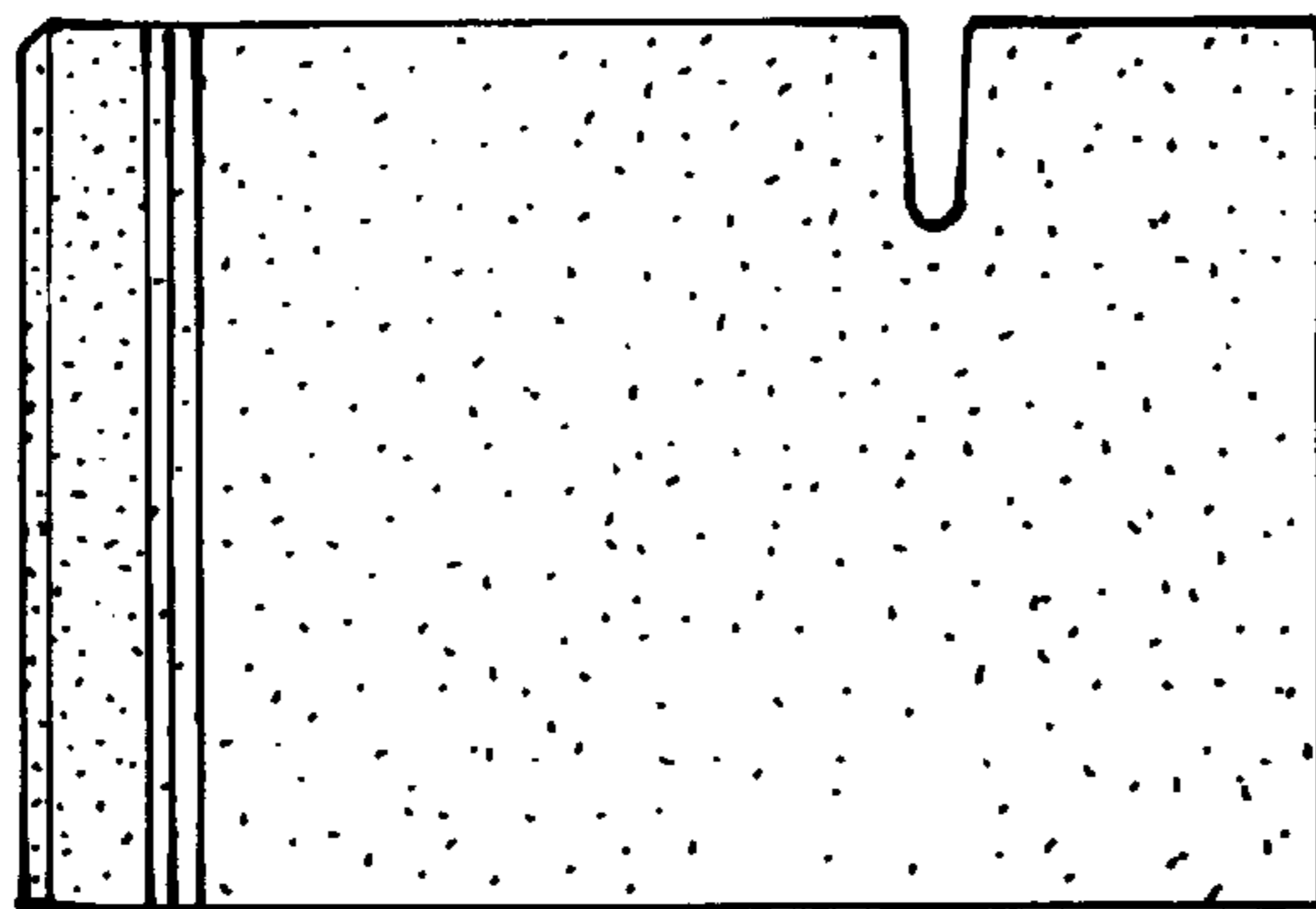
## U.S. PATENT DOCUMENTS

4,016,693	4/1977	Warren	52/405	4,802,320	2/1989	Forsberg	52/585
4,083,190	4/1978	Pey	61/4	4,825,619	5/1989	Forsberg	52/562
4,107,894	8/1978	Mullins	52/593	4,896,472	1/1990	Hunt	52/593
4,110,949	9/1978	CambiuZZi et al.	52/437	4,909,010	3/1990	Gravier	52/609
4,186,540	2/1980	Mullins	52/593	4,964,761	10/1990	Rossi	405/286
4,229,123	10/1980	Heinzmann	405/273	5,017,049	5/1991	Sievert	405/284
4,337,605	7/1982	Tudek	52/293	5,044,834	9/1991	Janopaul, Jr.	405/284
4,426,815	1/1984	Brown	52/100	5,161,918	11/1992	Hodel	405/286
4,565,043	1/1986	Mazzarese	52/593	5,214,898 *	6/1993	Beretta	52/606
4,640,071	2/1987	Haener	52/286	5,294,216	3/1994	Sievert	405/286
4,698,949	10/1987	Dietrich	52/415	5,457,926 *	10/1995	Jensen	52/606 X
4,738,059	4/1988	Dean, Jr.	52/98	5,707,184 *	1/1998	Anderson et al.	405/284 X

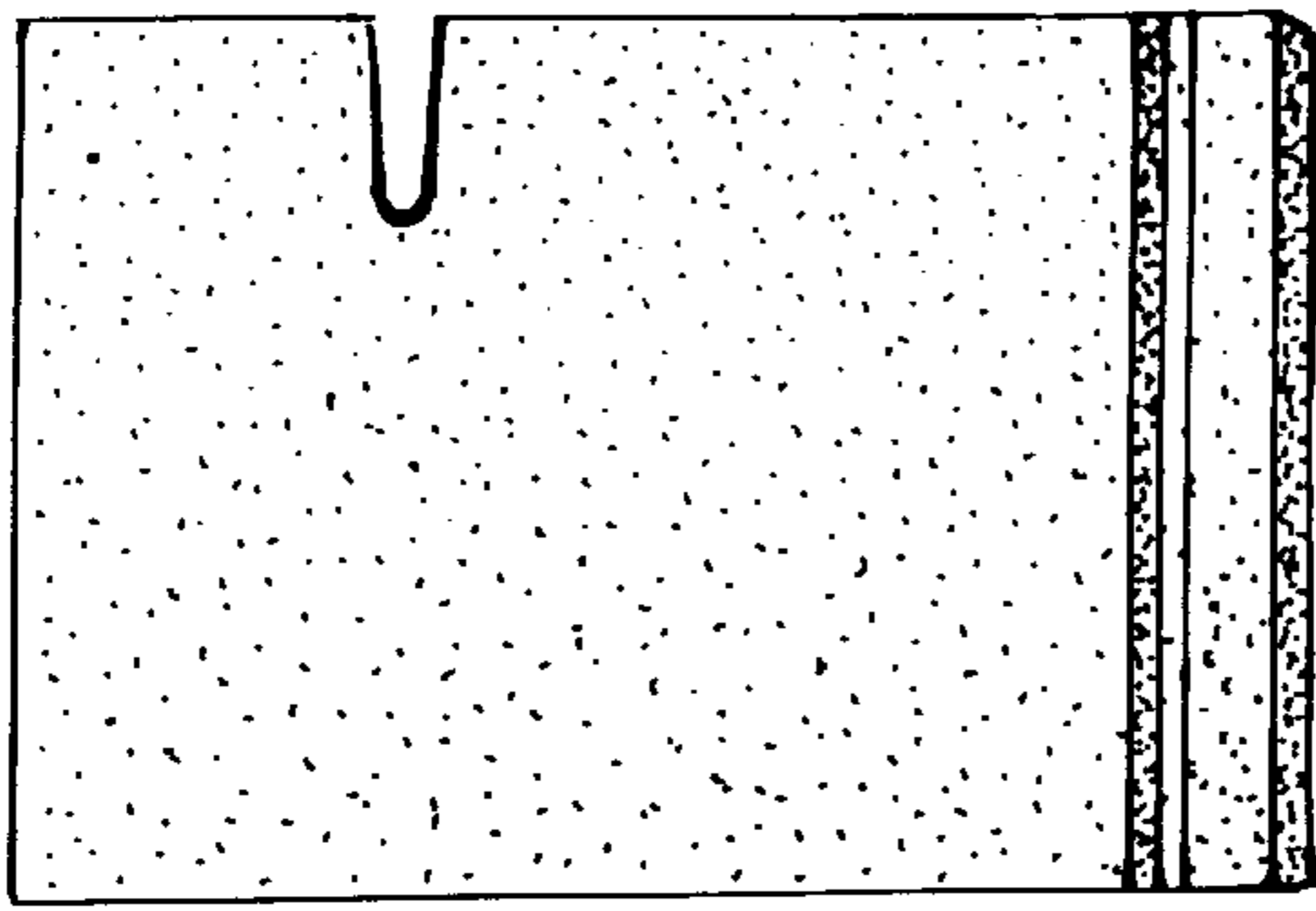
\* cited by examiner



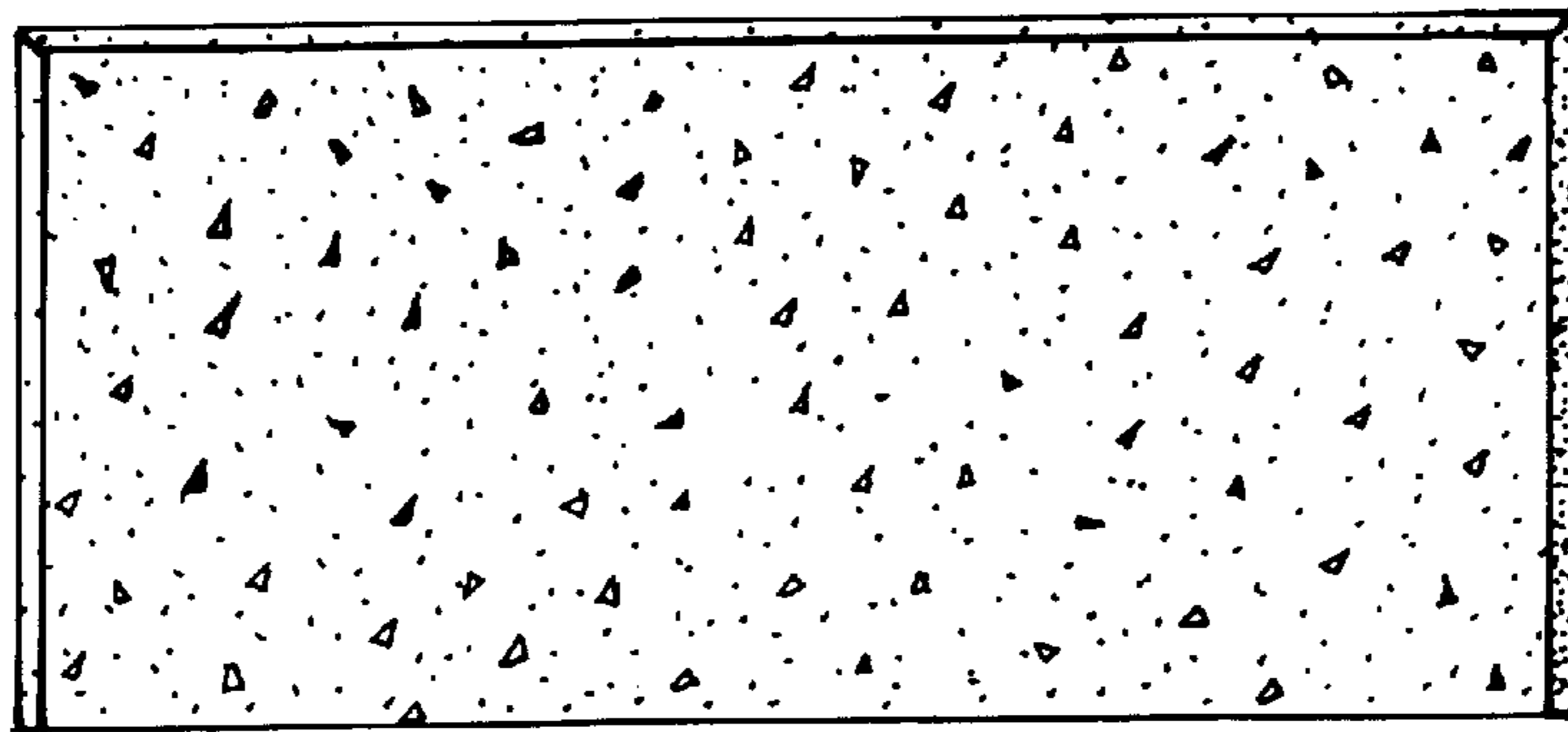
*Fig. 1*



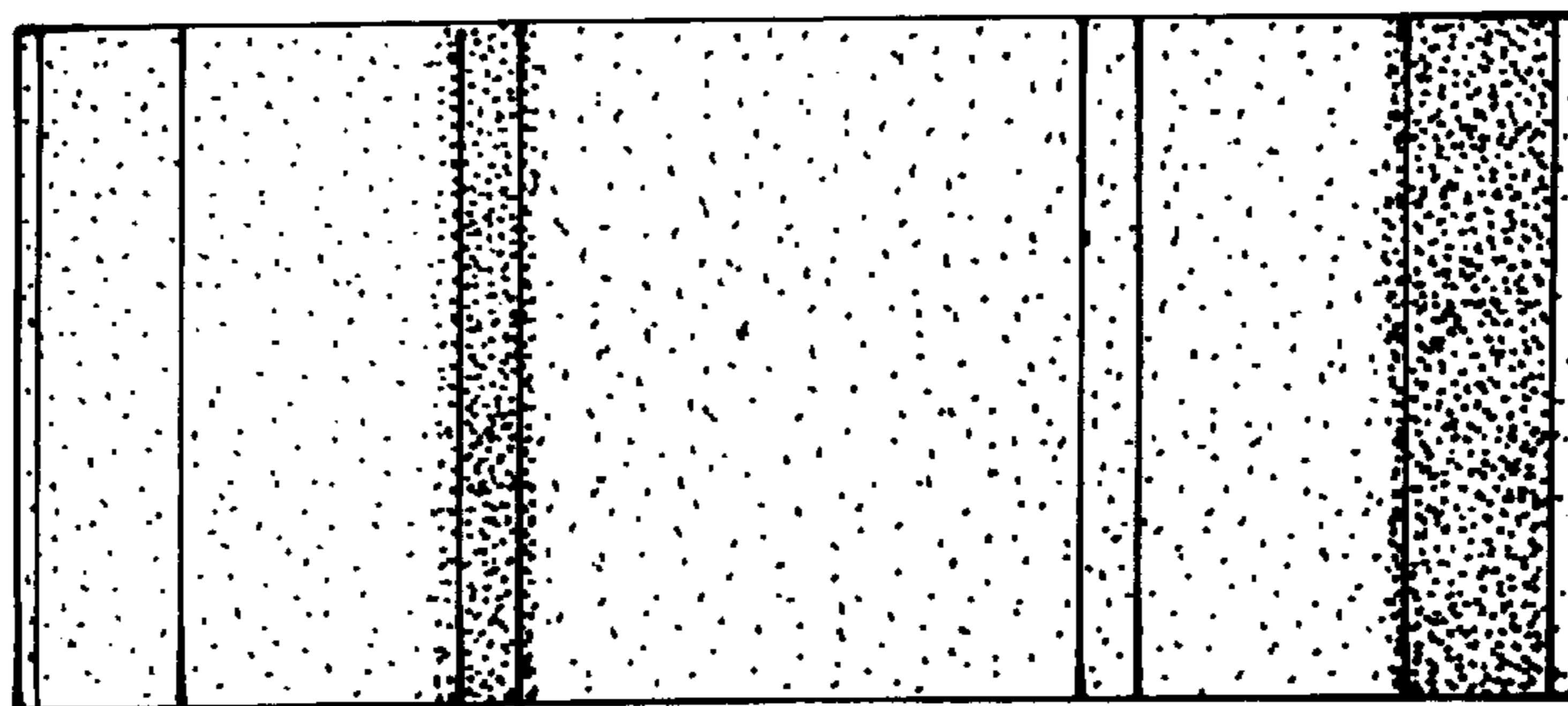
*Fig. 2*



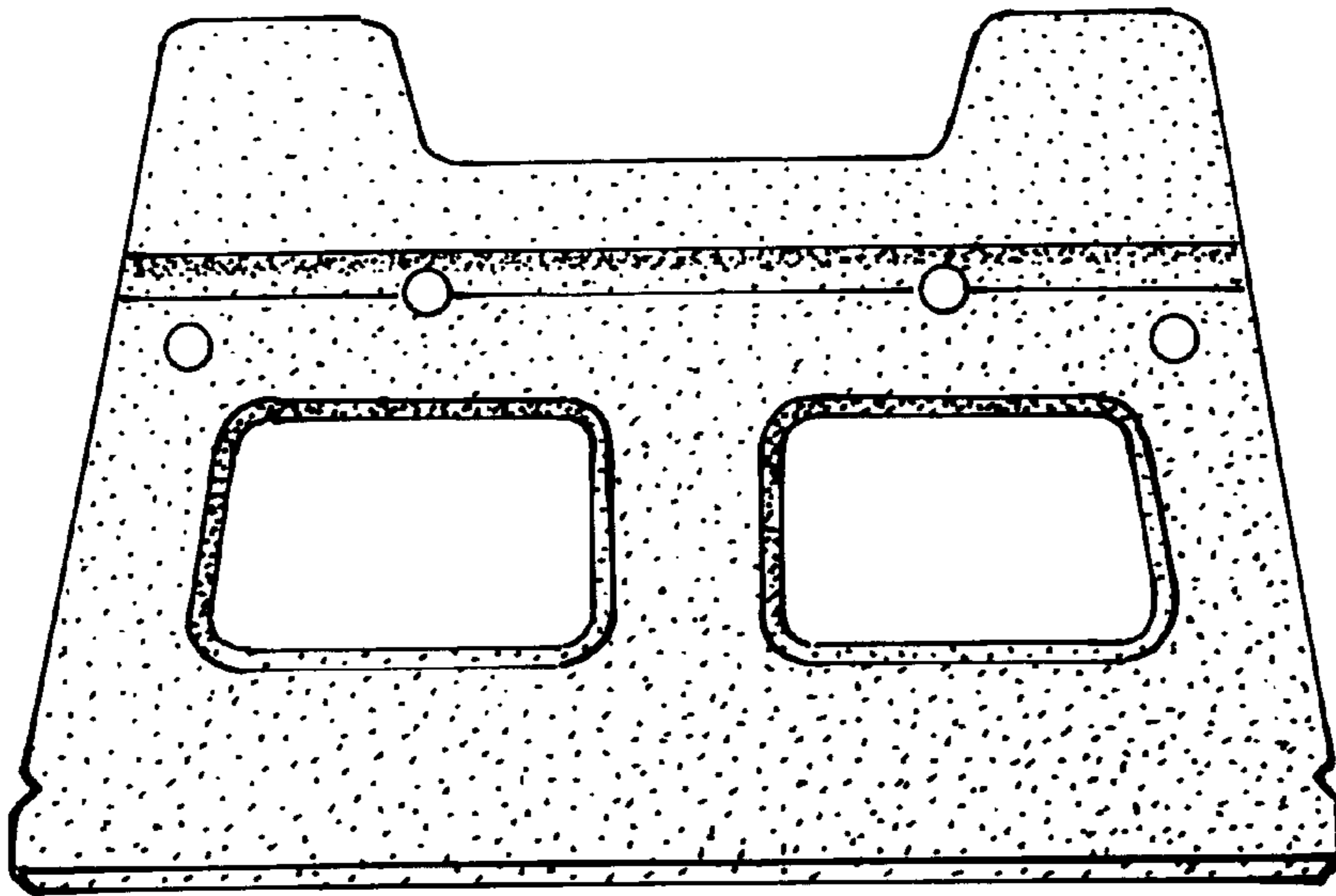
*Fig. 3*



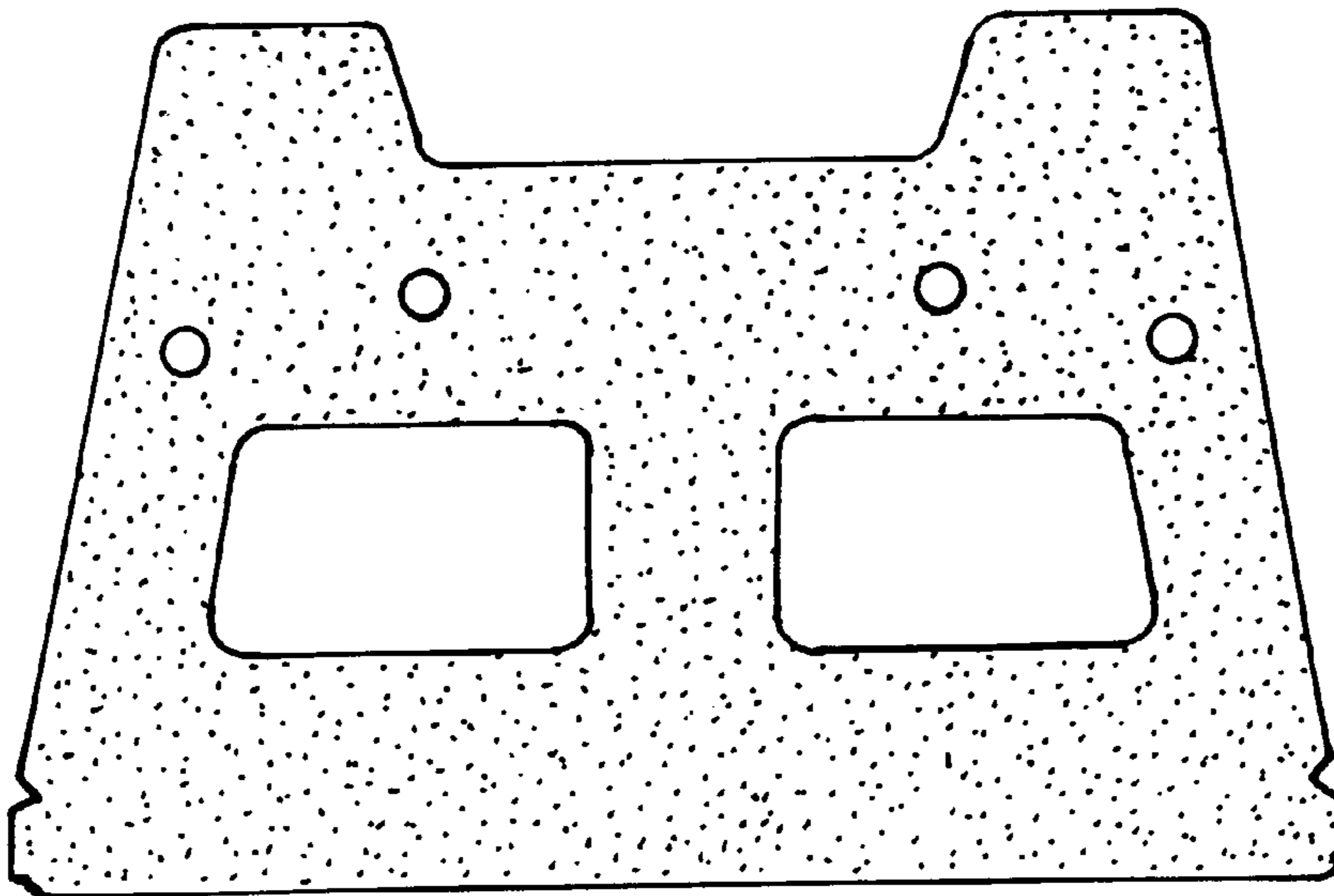
*Fig. 4*



*Fig. 5*



*Fig. 6*



*Fig. 7*