



US00D439673S

(12) **United States Design Patent**
Brophy et al.

(10) **Patent No.:** **US D439,673 S**
(45) **Date of Patent:** **** Mar. 27, 2001**

- (54) **MULTI-WELL MICROCENTRIFUGE TUBE**
- (75) Inventors: **John Brophy**, Salt Lake Cy, UT (US);
Richard Braverman, Bethesda, MD (US)
- (73) Assignee: **Sorenson Bioscience**, Salt Lake City, UT (US)
- (**) Term: **14 Years**
- (21) Appl. No.: **29/094,608**
- (22) Filed: **Oct. 6, 1998**
- (51) **LOC (7) Cl.** **24-01**
- (52) **U.S. Cl.** **D24/226**
- (58) **Field of Search** D24/226, 224,
D24/216; 422/99, 100, 102, 104

4,675,299	*	6/1987	Witty et al.	436/165
4,799,599		1/1989	Herrmann .	
5,005,721		4/1991	Jordan .	
5,009,316	*	4/1991	Klein	206/443
5,234,667		8/1993	Radtke et al. .	
5,722,553		3/1998	Hovatter .	

* cited by examiner

Primary Examiner—Stella Reid

(74) *Attorney, Agent, or Firm*—Shoemaker and Mattare

(57) **CLAIM**

The ornamental design for a multi-well microcentrifuge tube, as shown and described.

DESCRIPTION

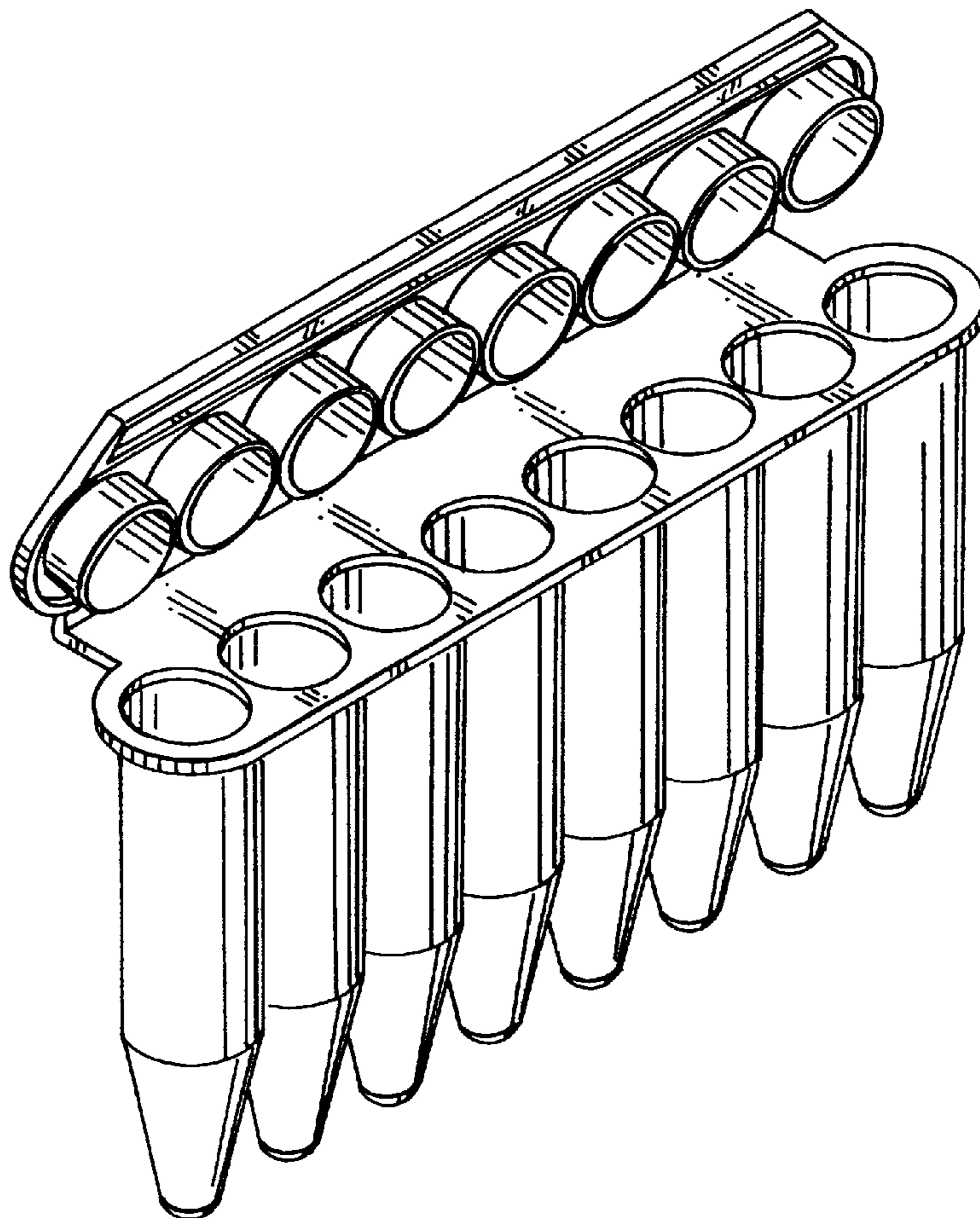
FIG. 1 is a top front isometric view of a multi-well microcentrifuge tube, showing our new design;
 FIG. 2 is a front elevation thereof;
 FIG. 3 is a right side elevation thereof, the left side elevation being symmetrical;
 FIG. 4 is a top plan view thereof;
 FIG. 5 is a rear elevation thereof; and,
 FIG. 6 is a bottom plan view thereof.

(56) **References Cited**

U.S. PATENT DOCUMENTS

D. 271,619	*	11/1983	Herrmann	D24/226
D. 325,638	*	4/1992	Sloat et al.	D24/226
D. 332,145	*	12/1992	Wada et al.	D24/227
3,785,773		1/1974	Rohrbaugh .	
4,348,207		9/1982	Cappel .	

1 Claim, 6 Drawing Sheets



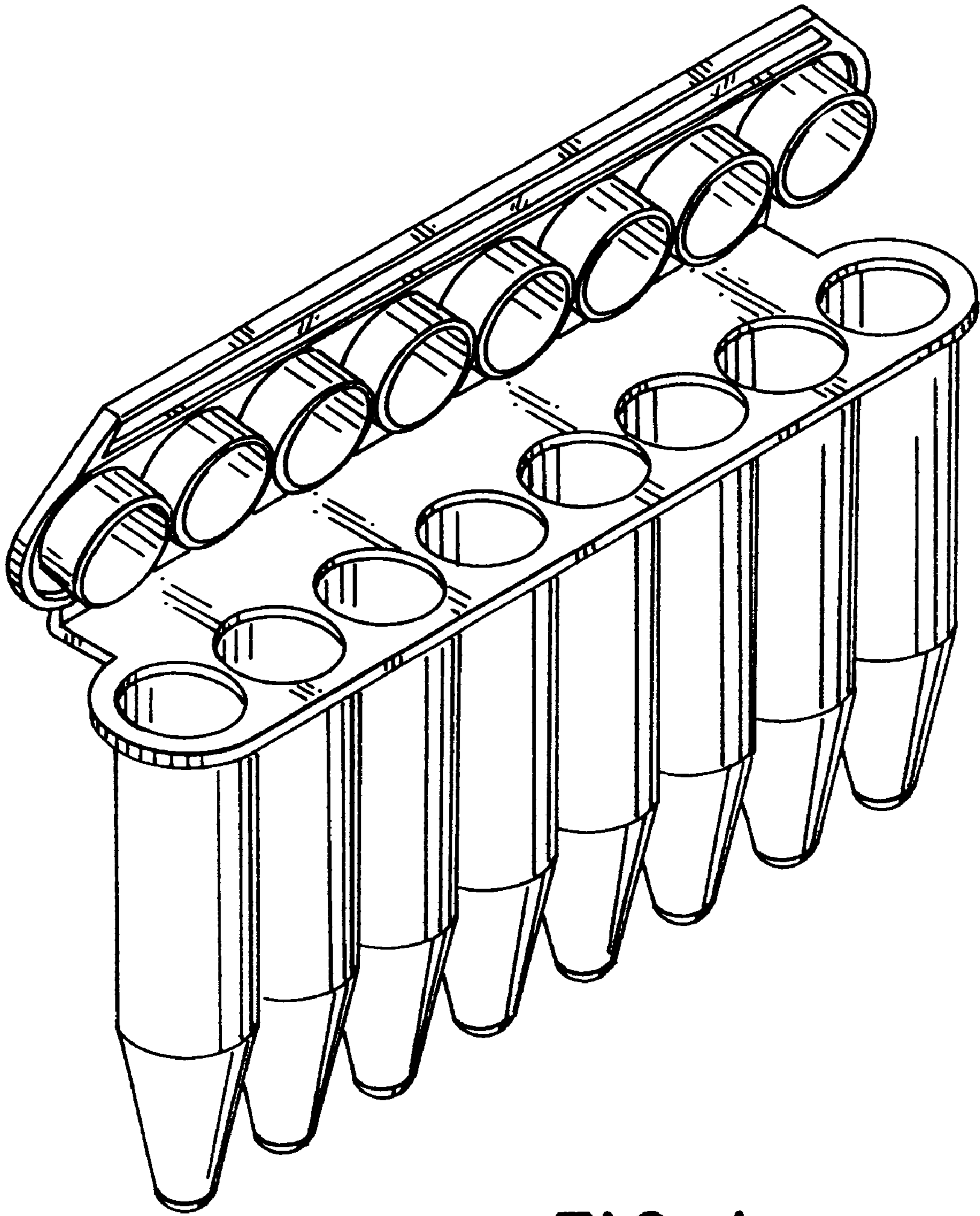


FIG. 1

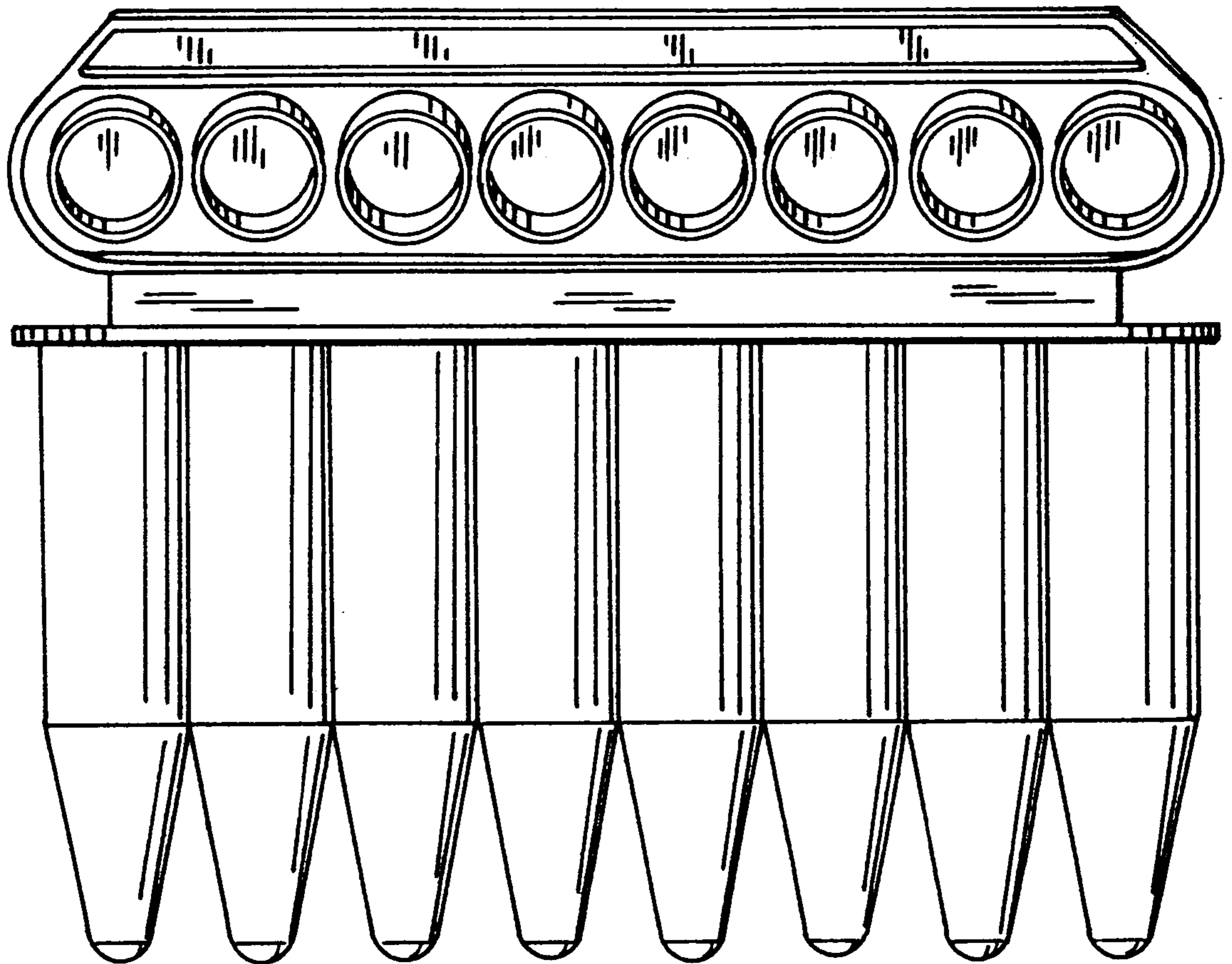


FIG. 2

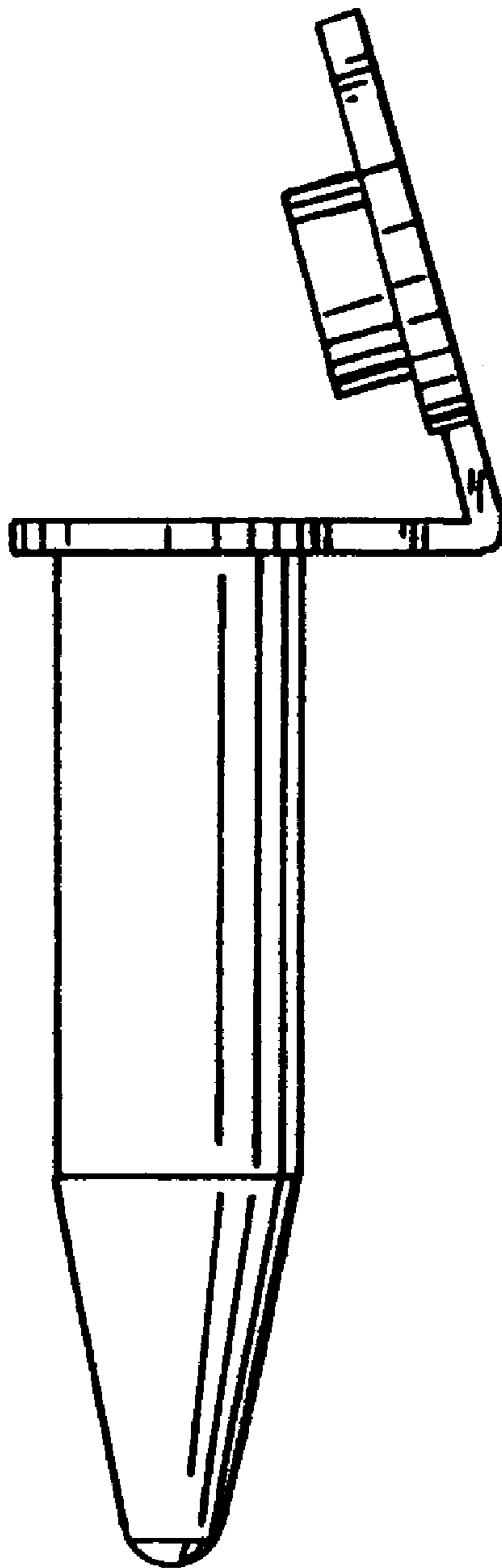


FIG. 3

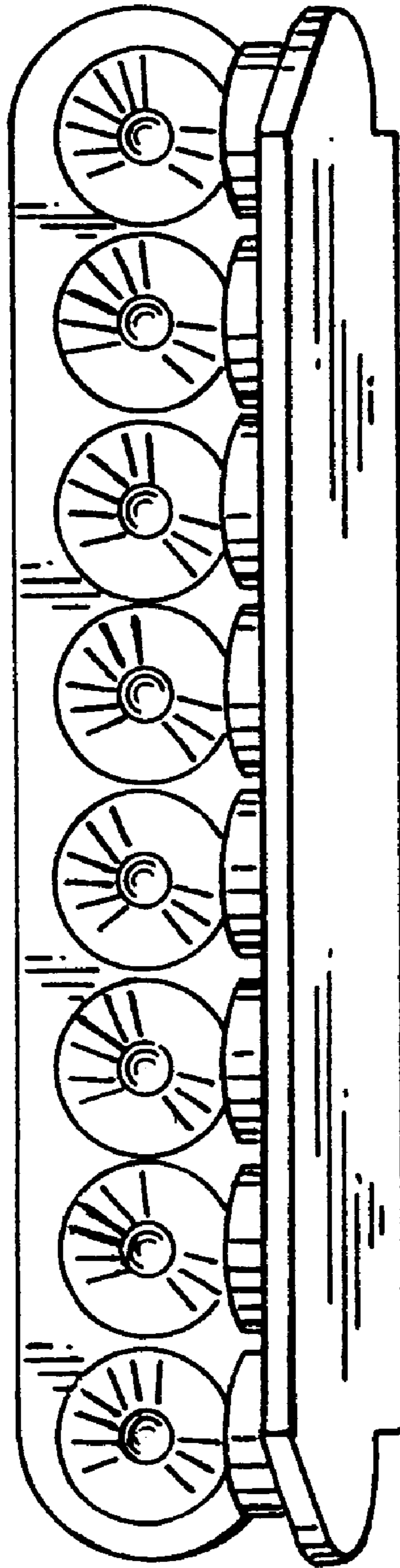


FIG. 4

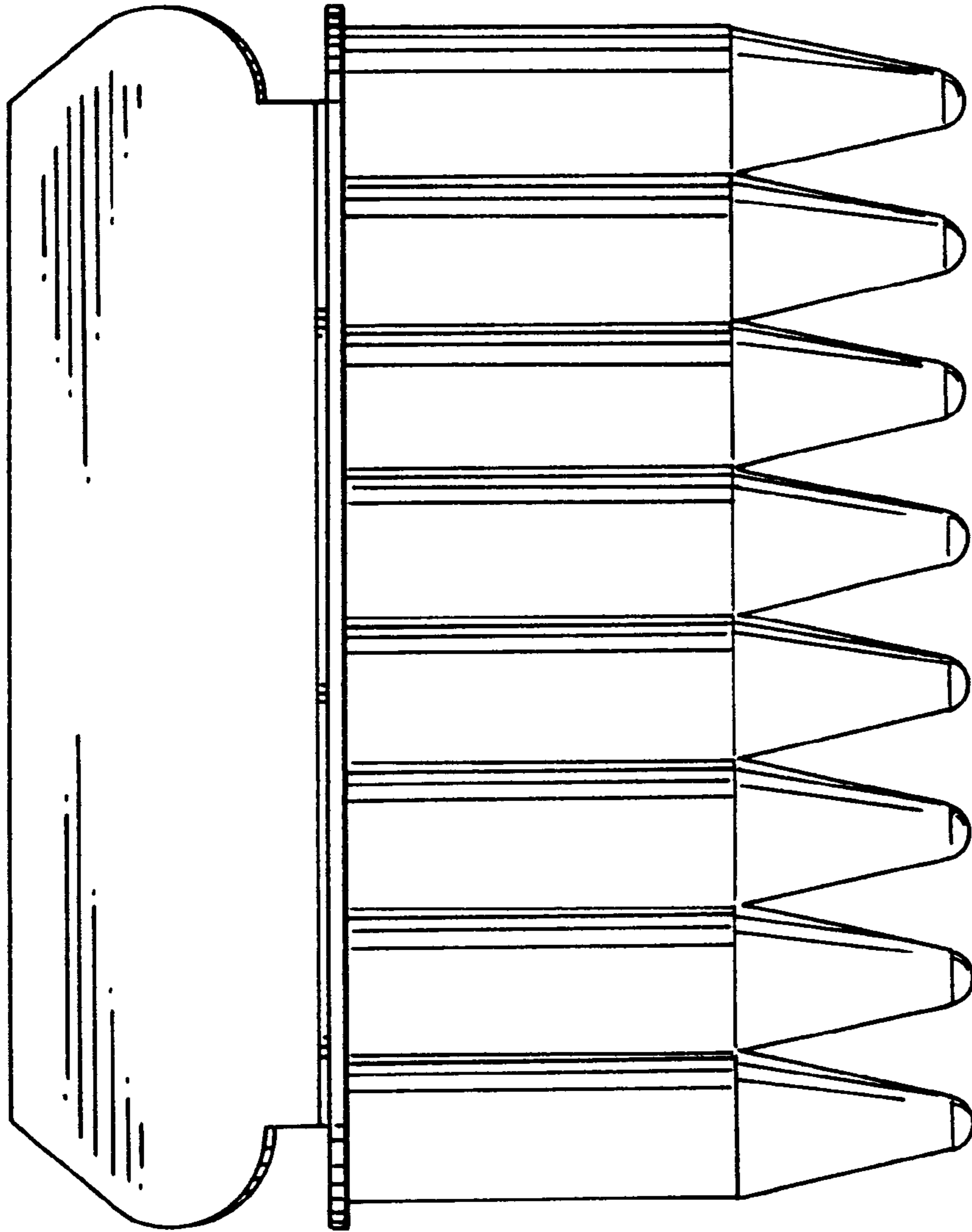


FIG. 5

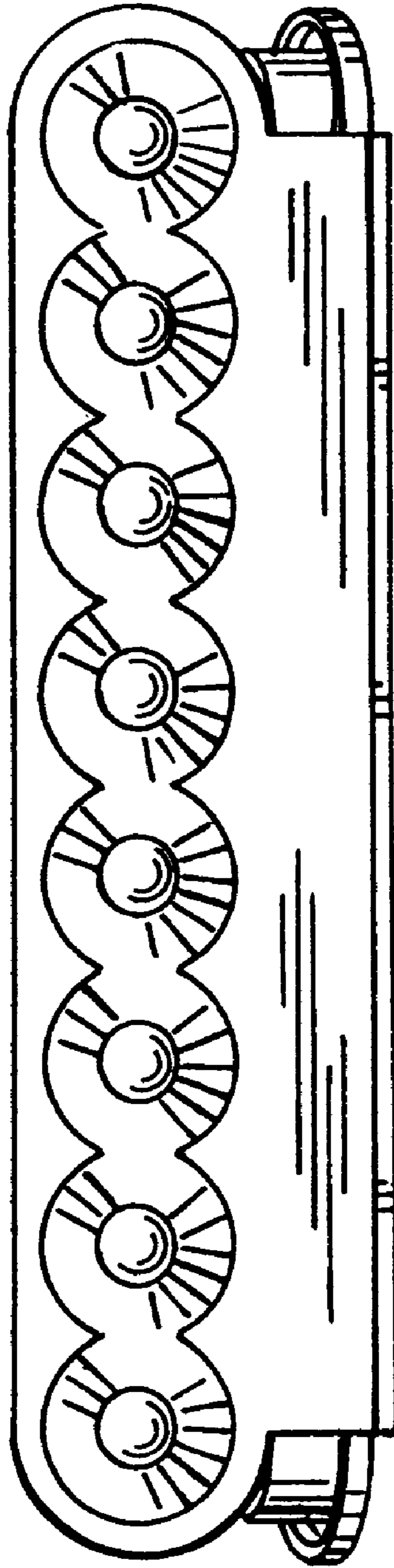


FIG. 6