



US00D439671S

(12) **United States Design Patent**
Casillo et al.

(10) **Patent No.:** **US D439,671 S**

(45) **Date of Patent:** **** Mar. 27, 2001**

(54) **BABY BOTTLE HOLDER**

(76) Inventors: **Danielle Casillo**, 14 Tara La.,
Commack; **Catherine Bertuglia**, 68
Westcliff Dr., Mt. Sinai, both of NY
(US) 11725

(**) Term: **14 Years**

(21) Appl. No.: **29/129,864**

(22) Filed: **Sep. 22, 2000**

(51) **LOC (7) Cl.** **07-01**

(52) **U.S. Cl.** **D24/199**

(58) **Field of Search** D24/199; 248/102,
248/103, 104, 105, 106, 107; 5/630, 646,
648, 636, 637, 650

(56) **References Cited**

U.S. PATENT DOCUMENTS

D. 198,488	*	6/1964	Reis	D24/199
D. 282,969	*	3/1986	Sukoff	D24/199
D. 359,804	*	6/1995	Carter	D24/183
D. 361,131	*	8/1995	Leopold	D24/199
D. 363,549	*	10/1995	Ye	D24/199
1,886,619	*	11/1932	Arnone	248/105

2,149,615	3/1939	McElwee	248/105
2,340,645	2/1944	Creed	248/107
3,946,451	*	3/1976	Spann 5/650
4,726,551	2/1988	Randall et al.	248/102

* cited by examiner

Primary Examiner—Stella Reid

(74) *Attorney, Agent, or Firm*—Goldstein & Canino

(57) **CLAIM**

The ornamental design for a baby bottle holder, as shown and described.

DESCRIPTION

FIG. 1 is a perspective view of a baby bottle holder, showing our new design, the broken line showing of the baby bottle being for illustrative purposes only and forming no part of the claimed design.

FIG. 2 is a left side elevational view of the baby bottle holder, the right side elevational being a mirror image of the left side view.

FIG. 3 is a front elevational view thereof.

FIG. 4 is a rear elevational view thereof.

FIG. 5 is a top plan view thereof; and,

FIG. 6 is a bottom plan view thereof.

1 Claim, 3 Drawing Sheets

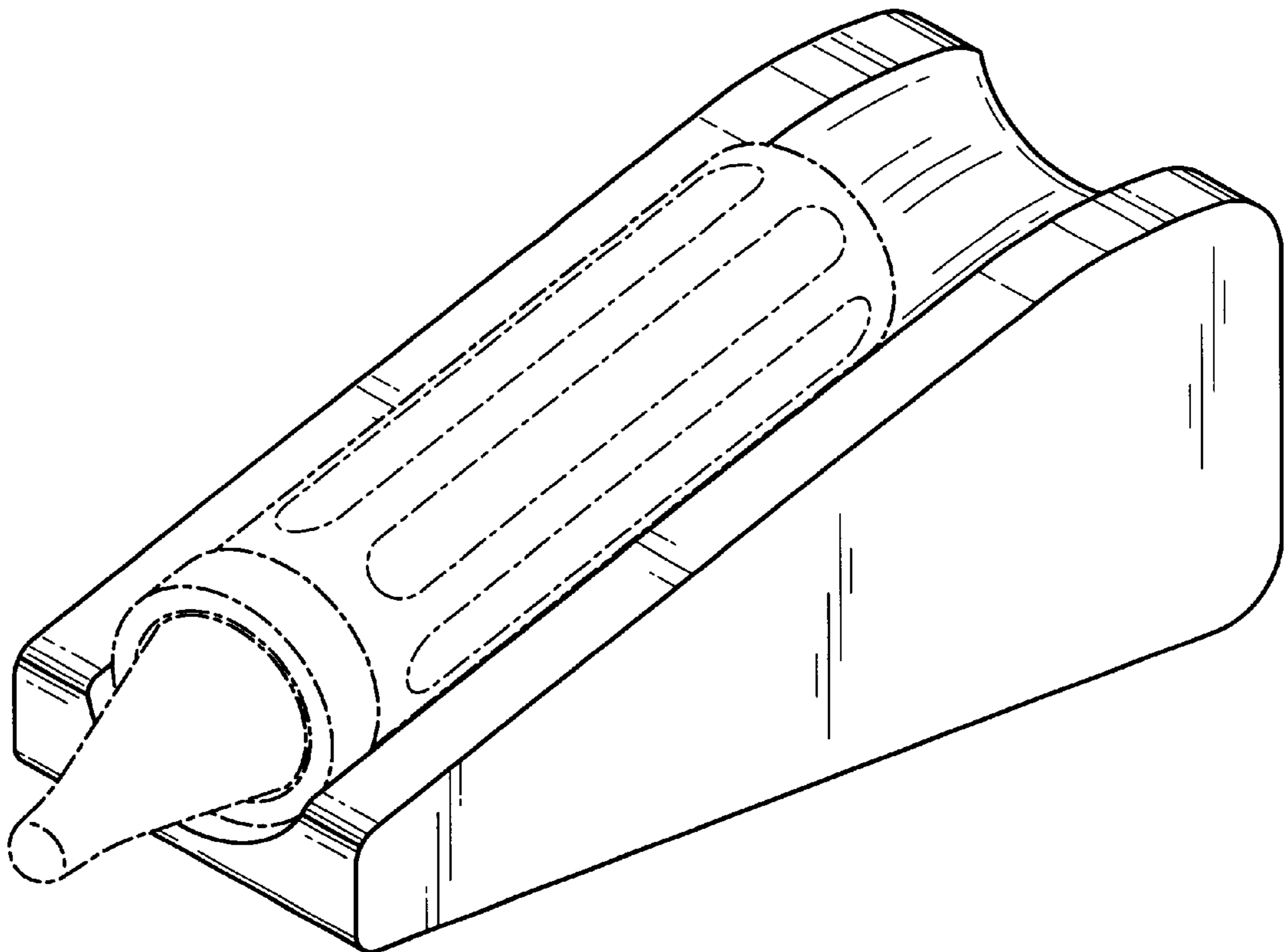


Fig. 1

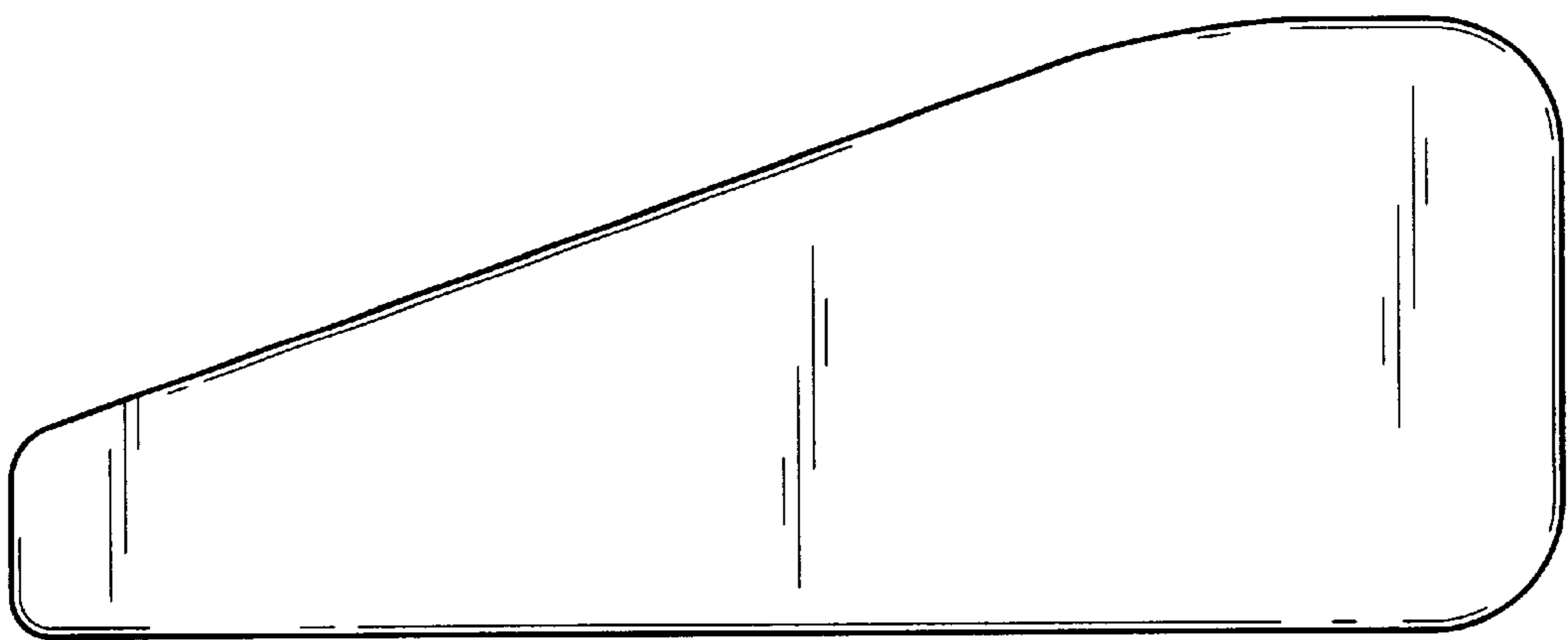
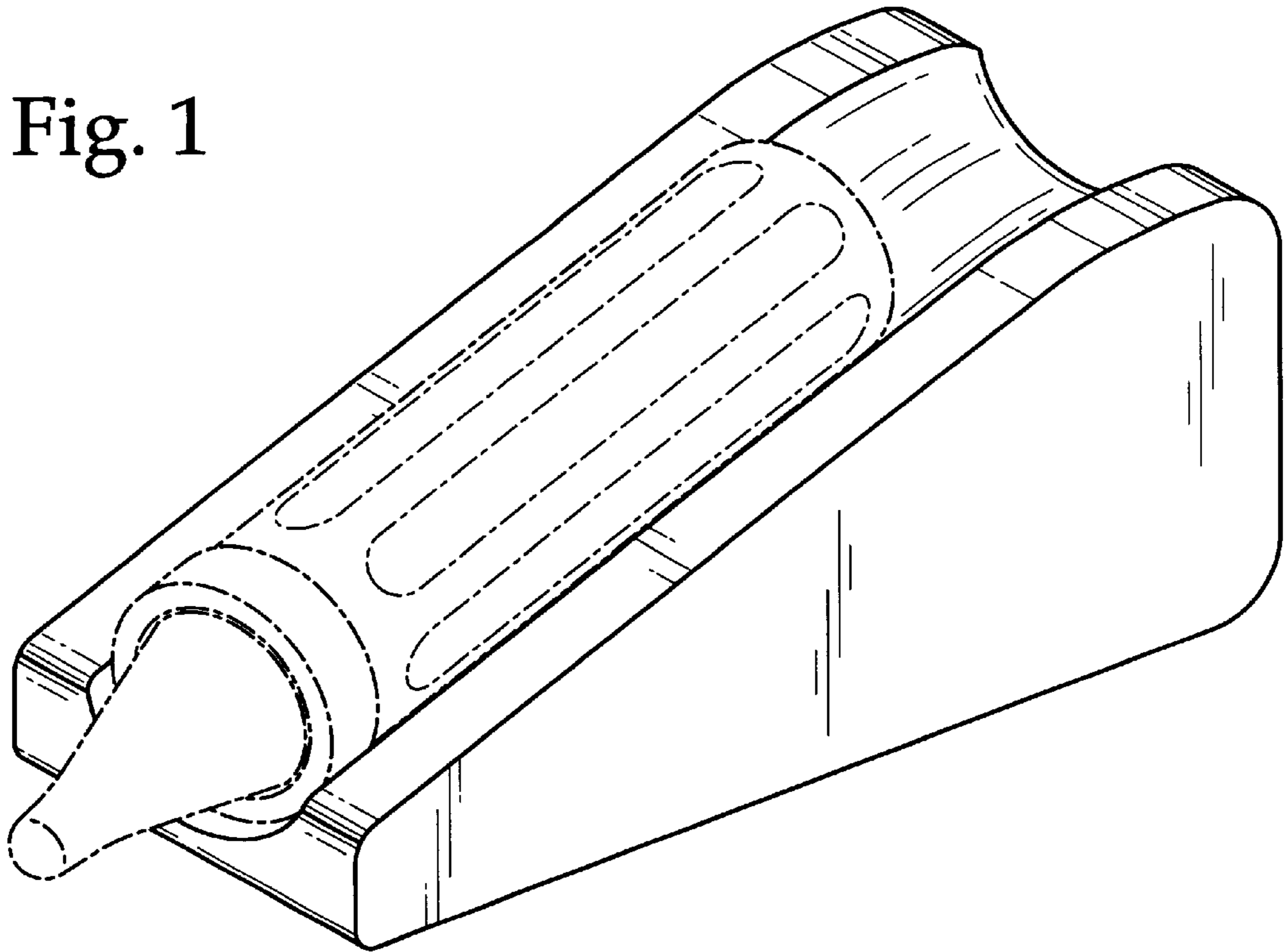


Fig. 2

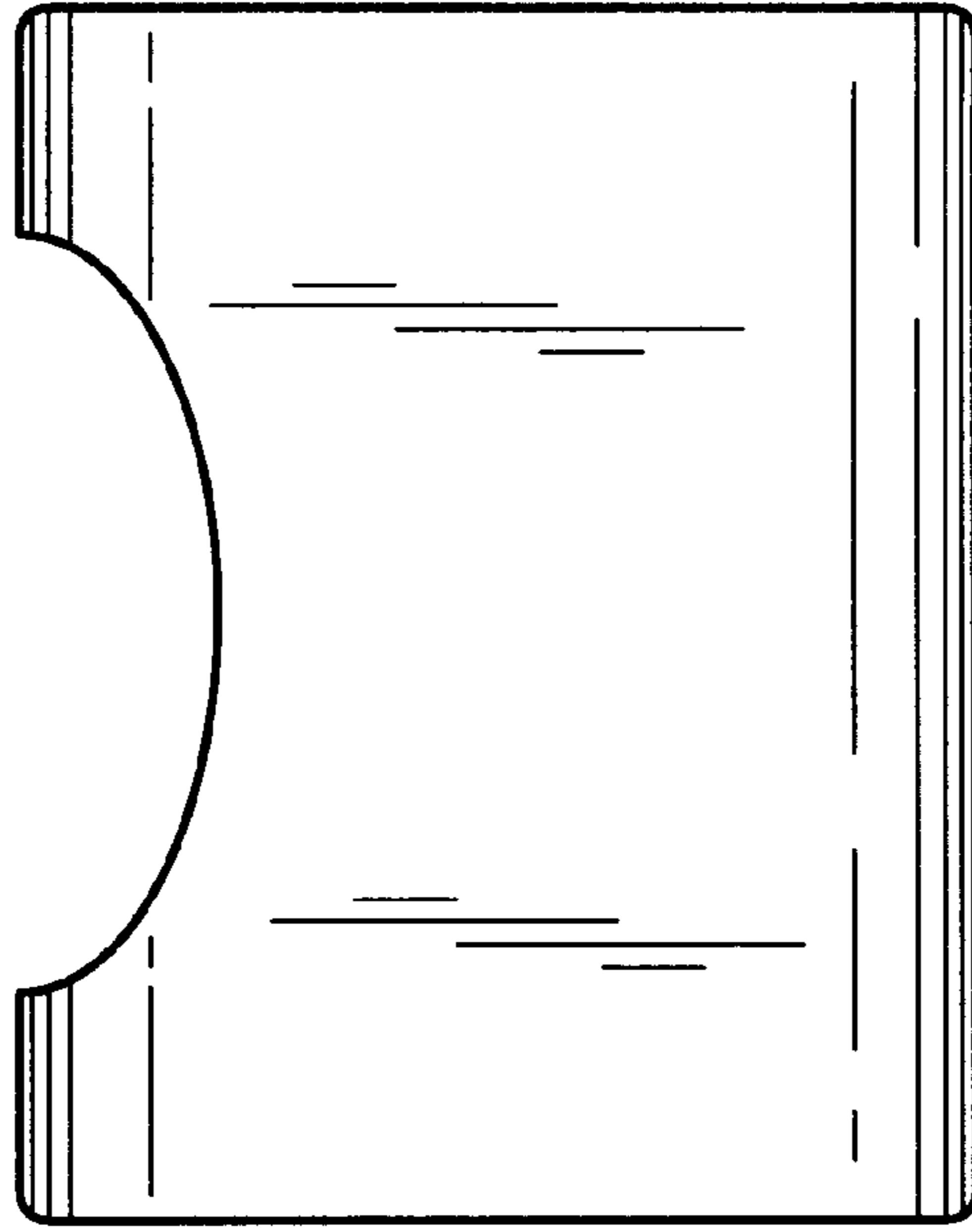


Fig. 4

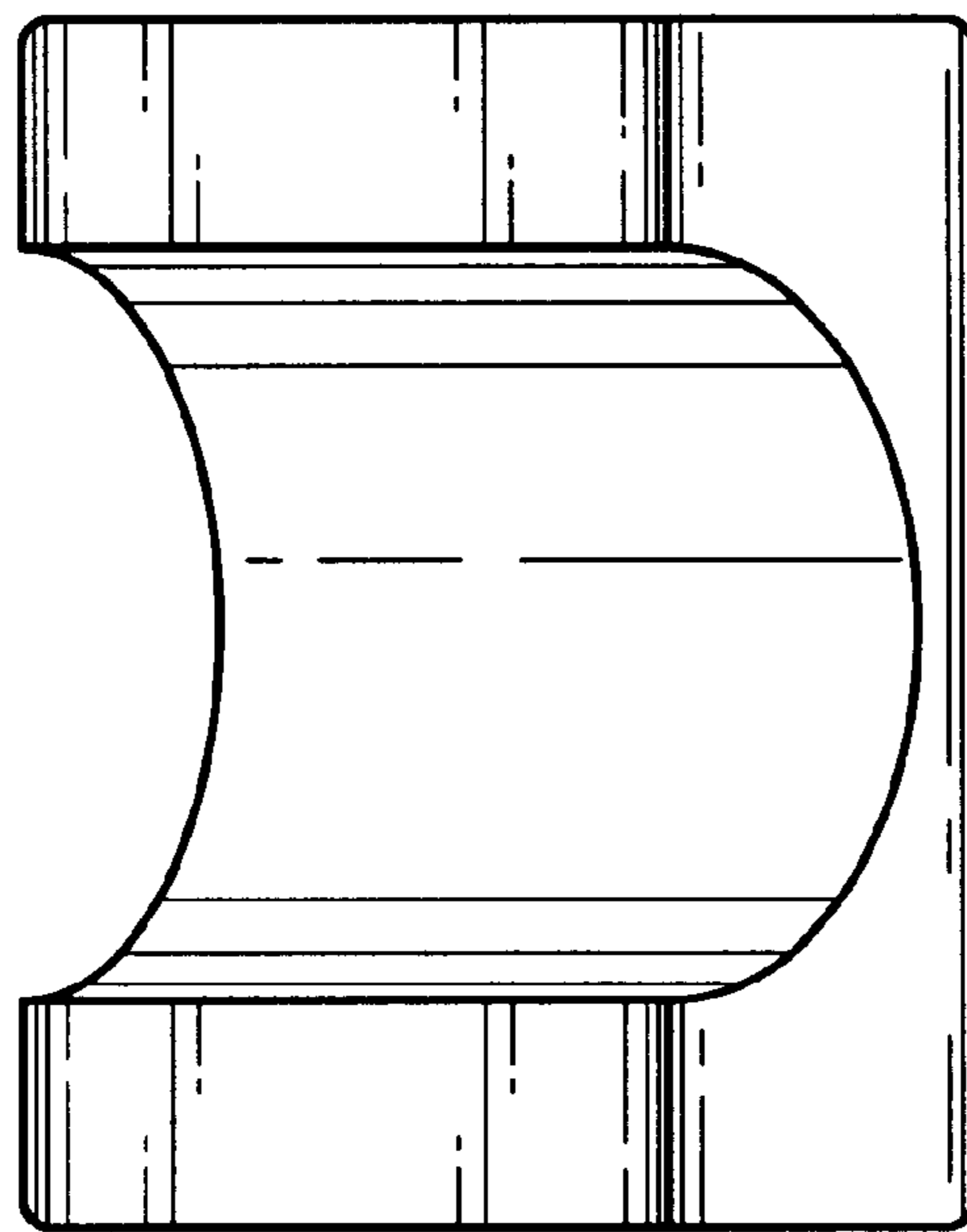


Fig. 3

Fig. 6

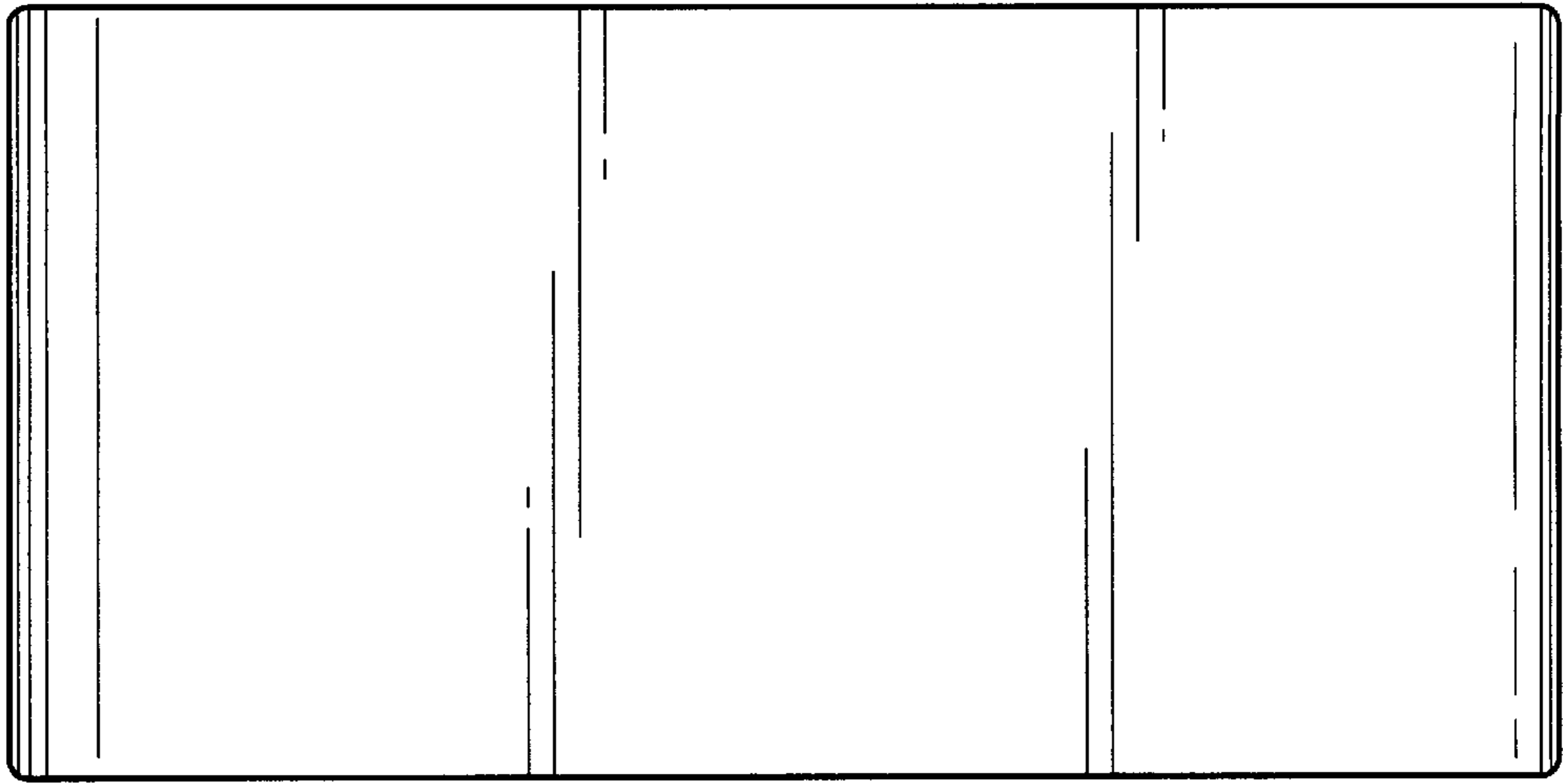


Fig. 5

