



US00D439670S

(12) **United States Design Patent**
Sommer

(10) **Patent No.:** **US D439,670 S**

(45) **Date of Patent:** **** Mar. 27, 2001**

(54) **VETERINARY OPERATING TABLE**
(75) Inventor: **Fritz Sommer, Pinkafeld (AT)**
(73) Assignee: **Panno-Med, medizinische
Geratetechnik- und Handels Ges.m.b.H.,
Pinkafeld (AT)**

4,151,812 * 5/1979 Miller 119/722
4,501,414 * 2/1985 Mason et al. 5/614
5,324,911 * 6/1994 Cranston et al. 219/218
5,826,286 10/1998 Cranston .

* cited by examiner

(**) Term: **14 Years**

Primary Examiner—Stella Reid
(74) *Attorney, Agent, or Firm*—Herbert L. Lerner;
Laurence A. Greenberg; Werner H. Stemer

(21) Appl. No.: **29/121,692**

(57) **CLAIM**

(22) Filed: **Apr. 12, 2000**

The ornamental design for the veterinary operating table, as shown and described.

(51) **LOC (7) Cl.** **24-01**

(52) **U.S. Cl.** **D24/183**

(58) **Field of Search** D24/183; 5/600,
5/606, 607, 610, 611, 612, 613, 614; 119/753,
752, 751, 756

DESCRIPTION

FIG. 1 is a front, top perspective view of a veterinary operating table showing my new design;
FIG. 2 is a front elevational view thereof, the rear elevational view being a mirror image thereof;
FIG. 3 is a right side elevational view thereof;
FIG. 4 is a left side elevational view thereof; and,
FIG. 5 is a top plan view thereof.

(56) **References Cited**

U.S. PATENT DOCUMENTS

D. 221,910 * 9/1971 Brendgord D24/183
D. 249,359 * 9/1978 Stott et al. D24/183
2,872,259 * 2/1959 Thorpe 5/613

1 Claim, 3 Drawing Sheets

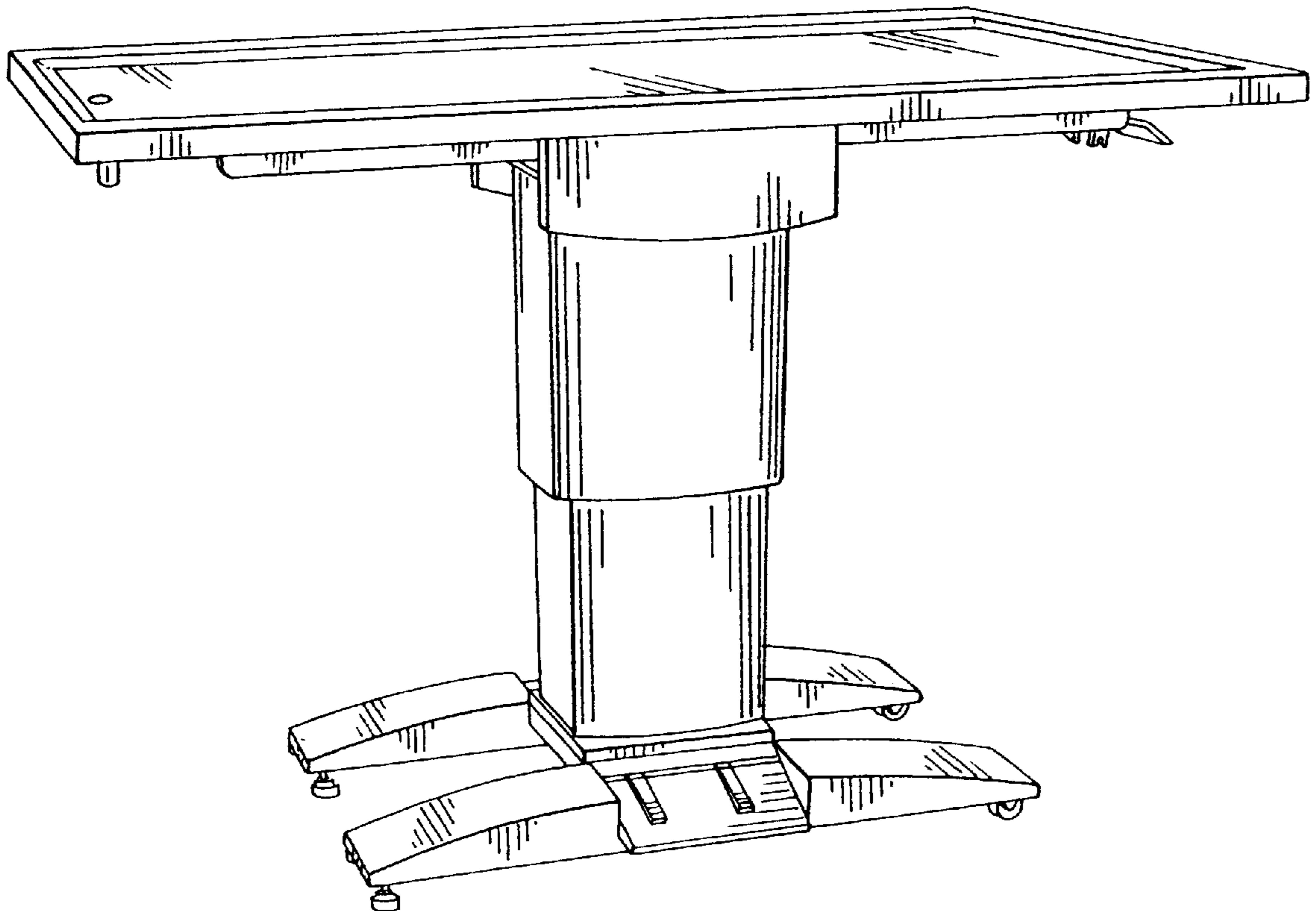
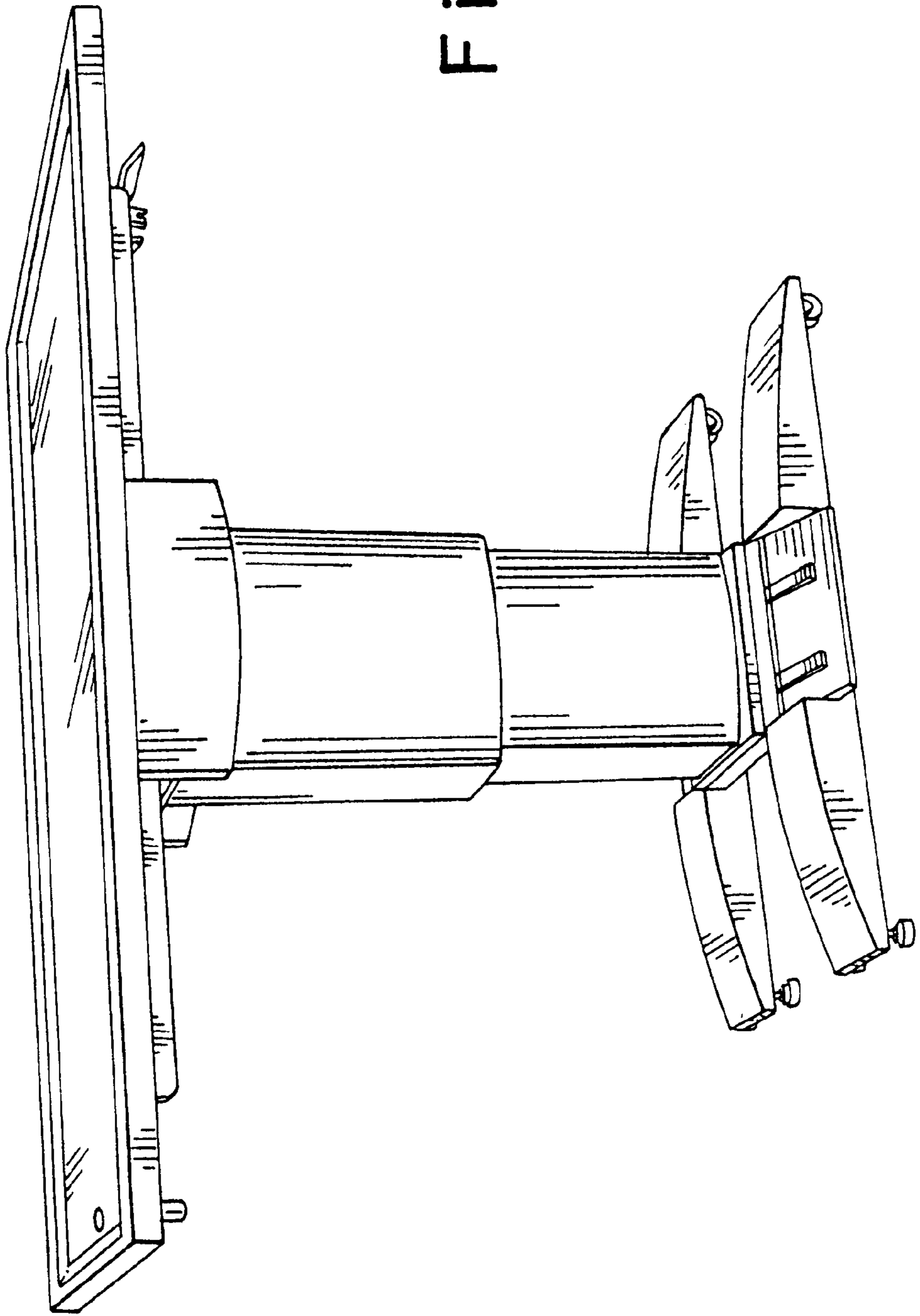


Fig. 1



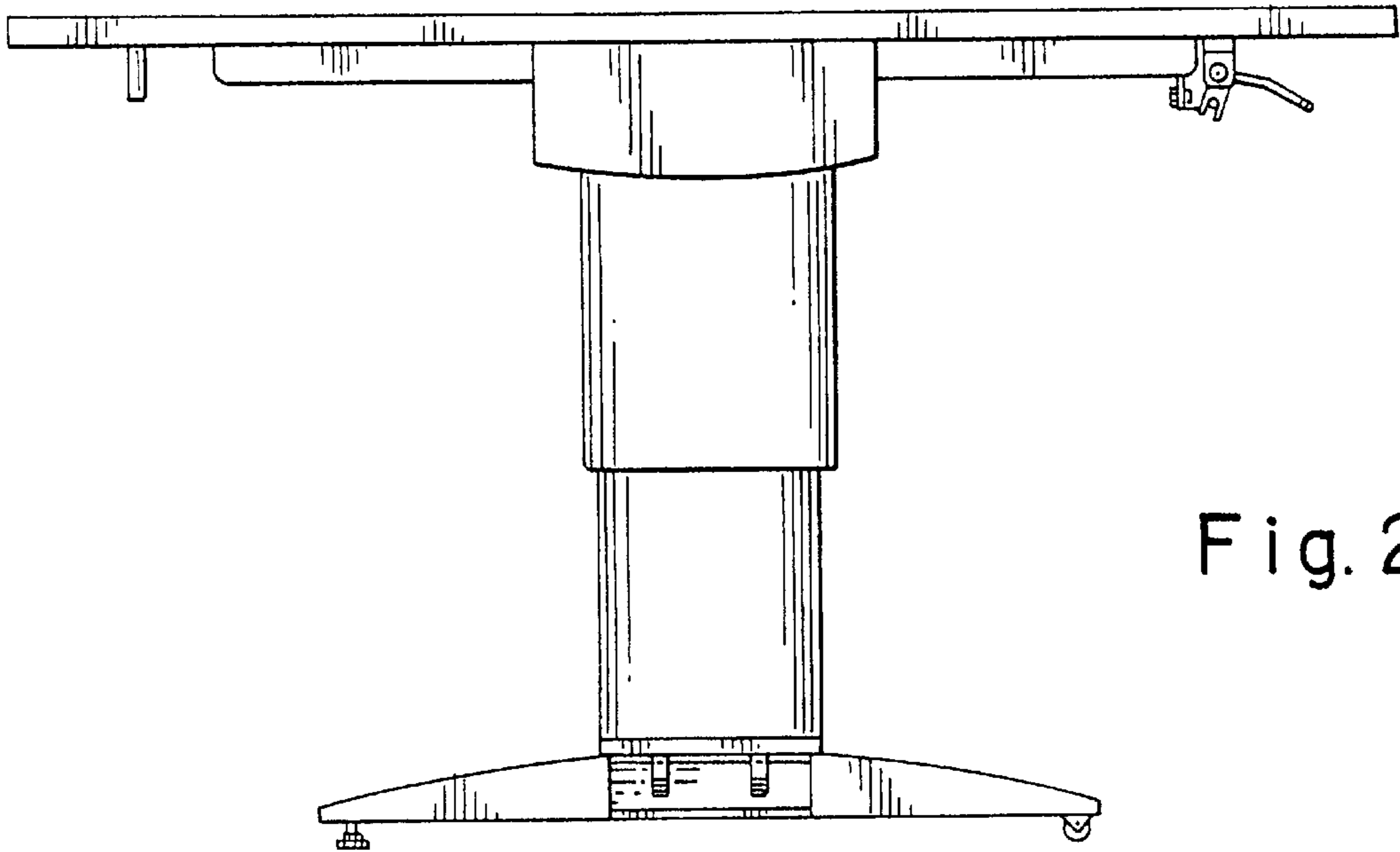


Fig. 2

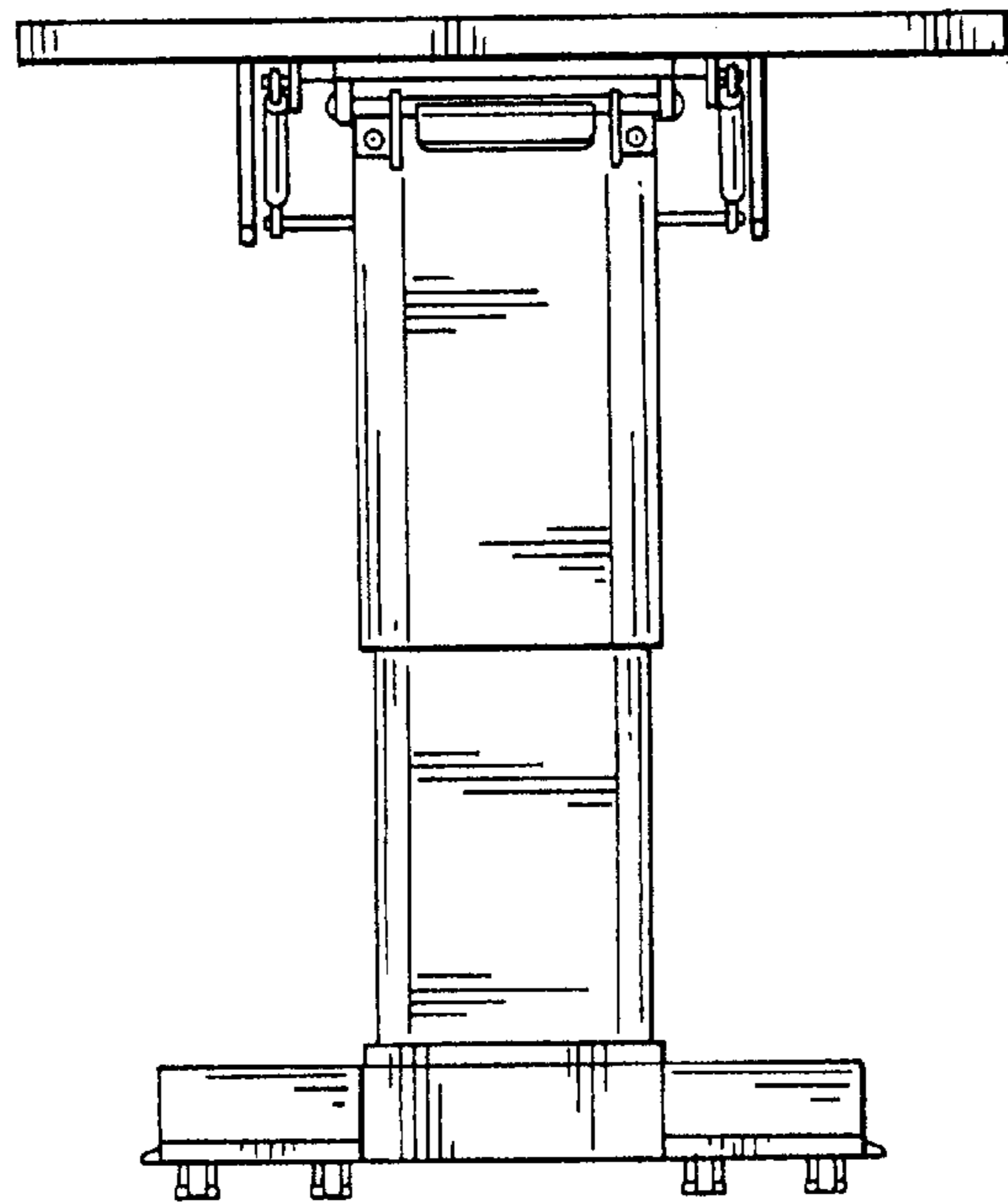


Fig. 3

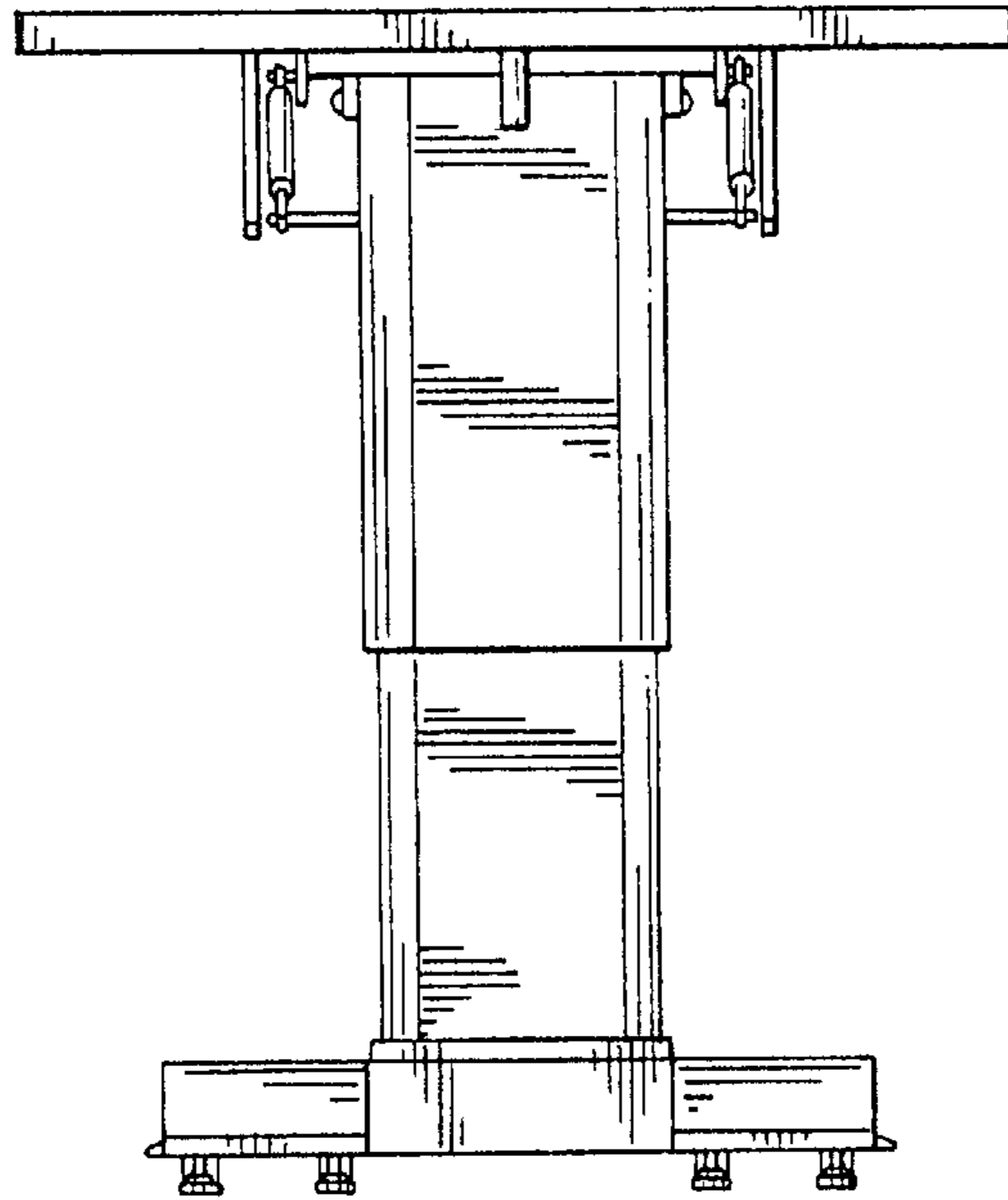


Fig. 4

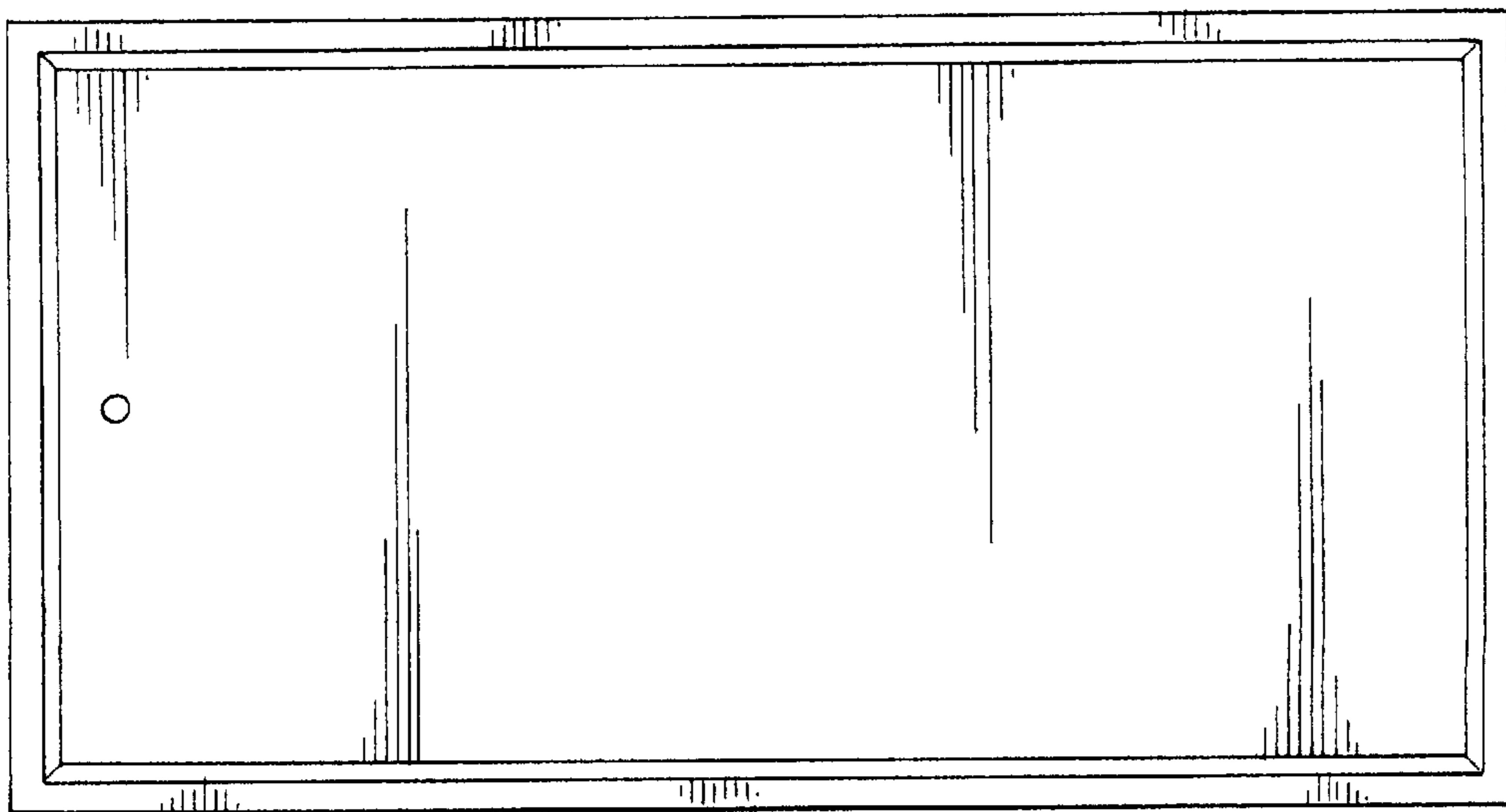


Fig. 5