



US00D439668S

(12) **United States Design Patent**
Aoki et al.

(10) **Patent No.:**

US D439,668 S

(45) **Date of Patent:**

**** Mar. 27, 2001**

(54) **MAGNETIC FIELD GENERATING DEVICE FOR USE IN MRI**

Primary Examiner—Stella Reid

(74) *Attorney, Agent, or Firm*—Michael D. Bednarek; Shaw Pittman

(75) **Inventors:** Masaaki Aoki, Takatsuki; Tsuyoshi Tsuzaki, Ibaraki, both of (JP)

(57) **CLAIM**

(73) **Assignee:** Sumitomo Special Metals Co., Ltd., Osaka (JP)

The ornamental design for magnetic field generating device for use in MRI, as shown and described.

(**) **Term:** 14 Years

DESCRIPTION

(21) **Appl. No.:** 29/127,982

FIG. 1 is a perspective view of a magnetic field generating device for use in MRI showing a first embodiment of our new design;

(22) **Filed:** Aug. 16, 2000

FIG. 2 is a front view thereof;

(51) **LOC (7) Cl.** 24-01

FIG. 3 is a rear view thereof;

(52) **U.S. Cl.** D24/159

FIG. 4 is a top view thereof;

(58) **Field of Search** D24/158, 159; 324/318, 319, 320, 322, 308, 309

FIG. 5 is a bottom view thereof;

FIG. 6 is a left side view thereof;

FIG. 7 is a right side view thereof;

(56) **References Cited**

FIG. 8 is a perspective view of a magnetic field generating device for use in MRI showing a second embodiment of our new design;

U.S. PATENT DOCUMENTS

D. 270,182 * 8/1983 Wagner D24/159

FIG. 9 is a front view thereof;

D. 347,063 * 5/1994 Ariyoshi et al. D24/159

FIG. 10 is a rear view thereof;

D. 386,261 * 11/1997 Lee et al. D24/159

FIG. 11 is a top view thereof;

4,829,252 * 5/1989 Kaufman 324/309

FIG. 12 is a bottom view thereof;

FIG. 13 is a left side view thereof; and,

FIG. 14 is a right side view thereof.

FOREIGN PATENT DOCUMENTS

9-299352 11/1997 (JP) A61B/5/055

* cited by examiner

1 Claim, 8 Drawing Sheets

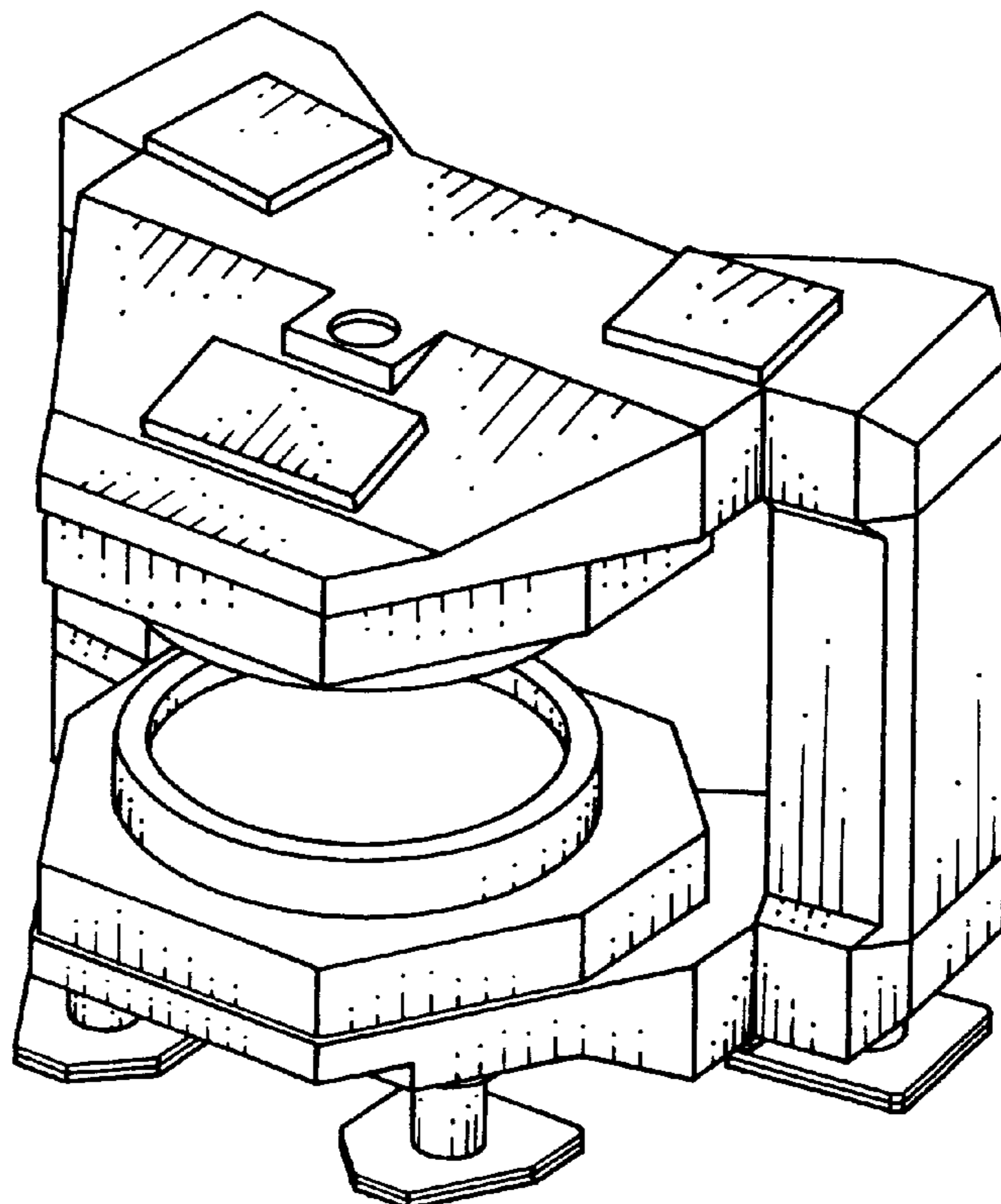


FIG. 1

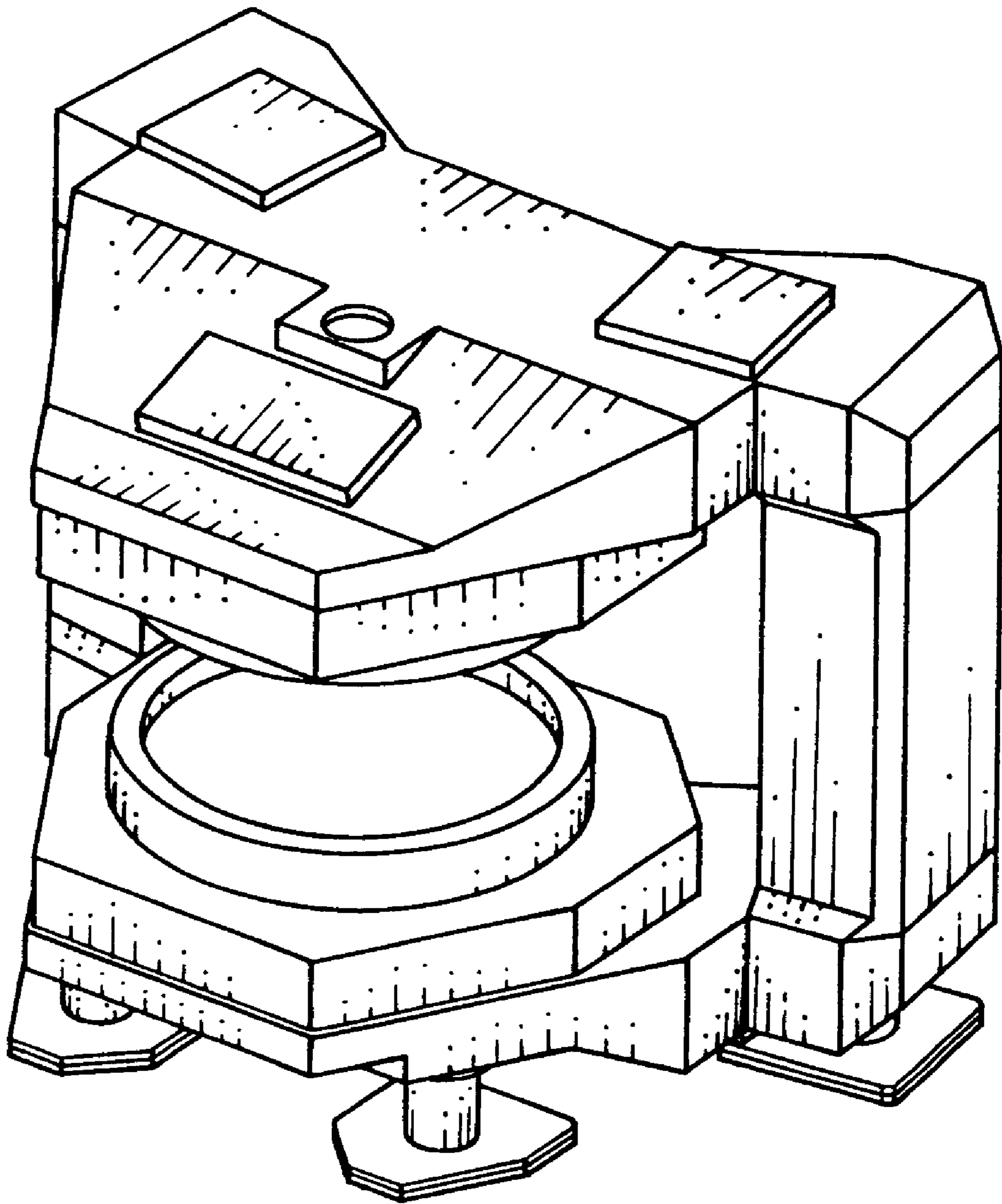


FIG. 2

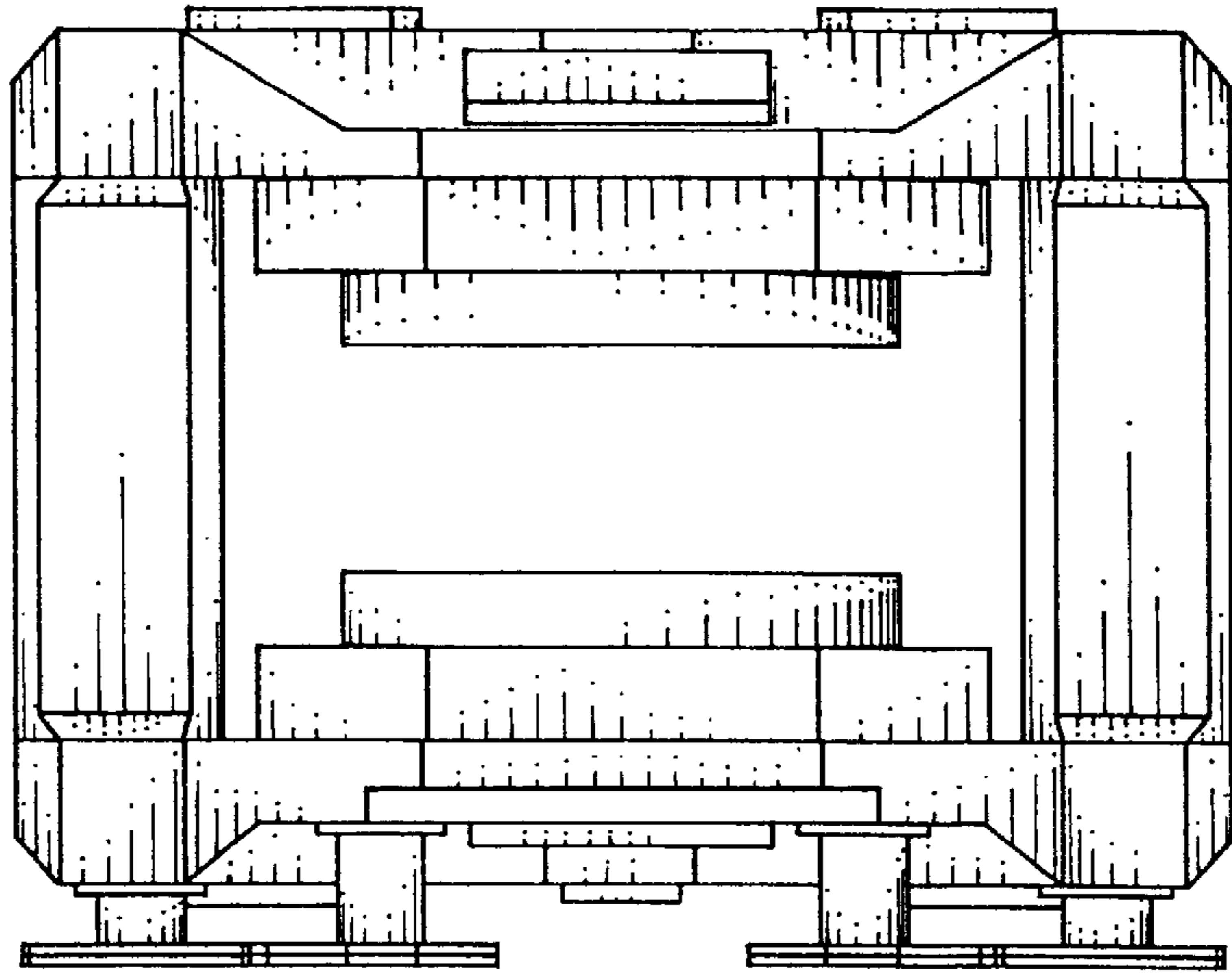


FIG. 3

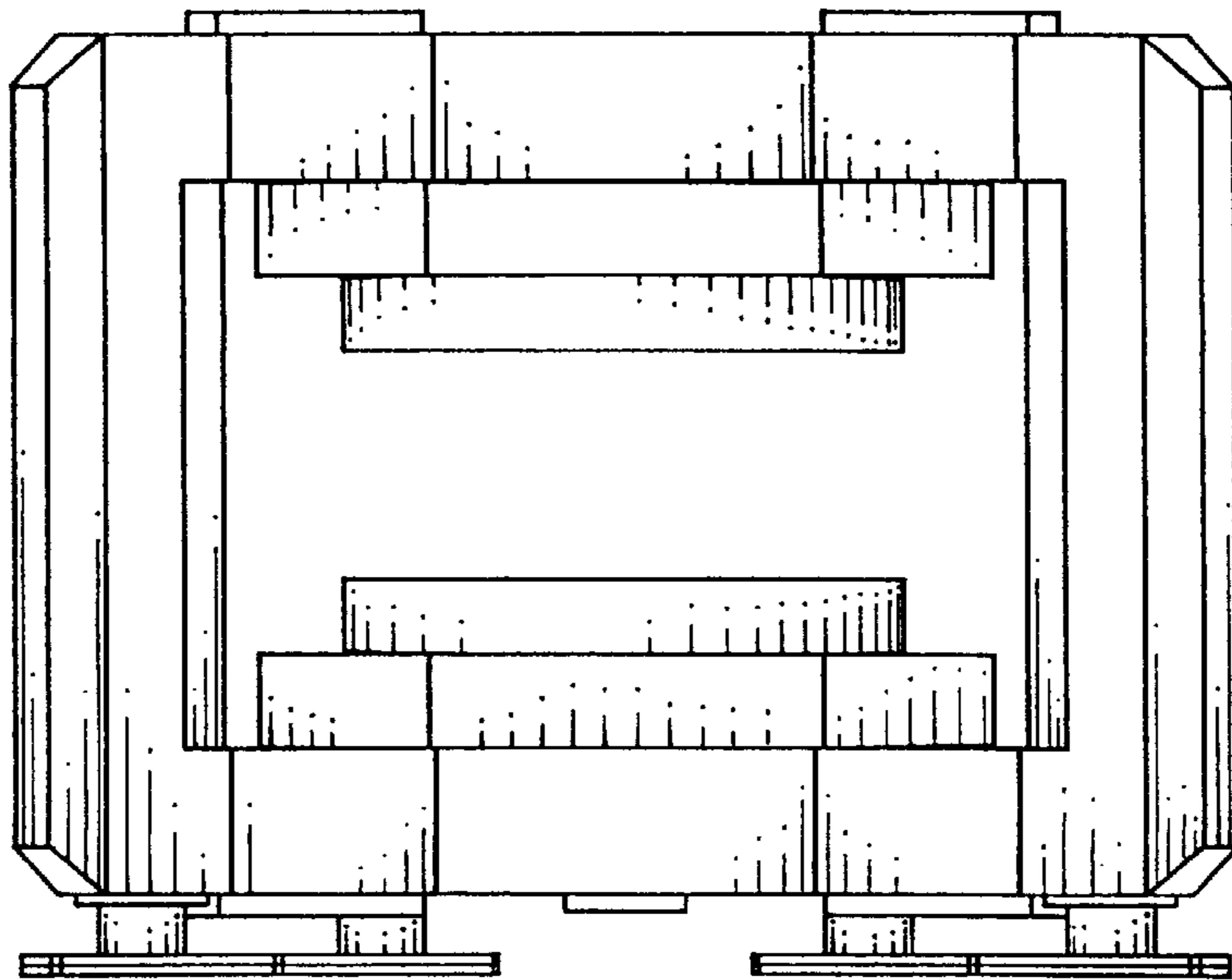


FIG. 4

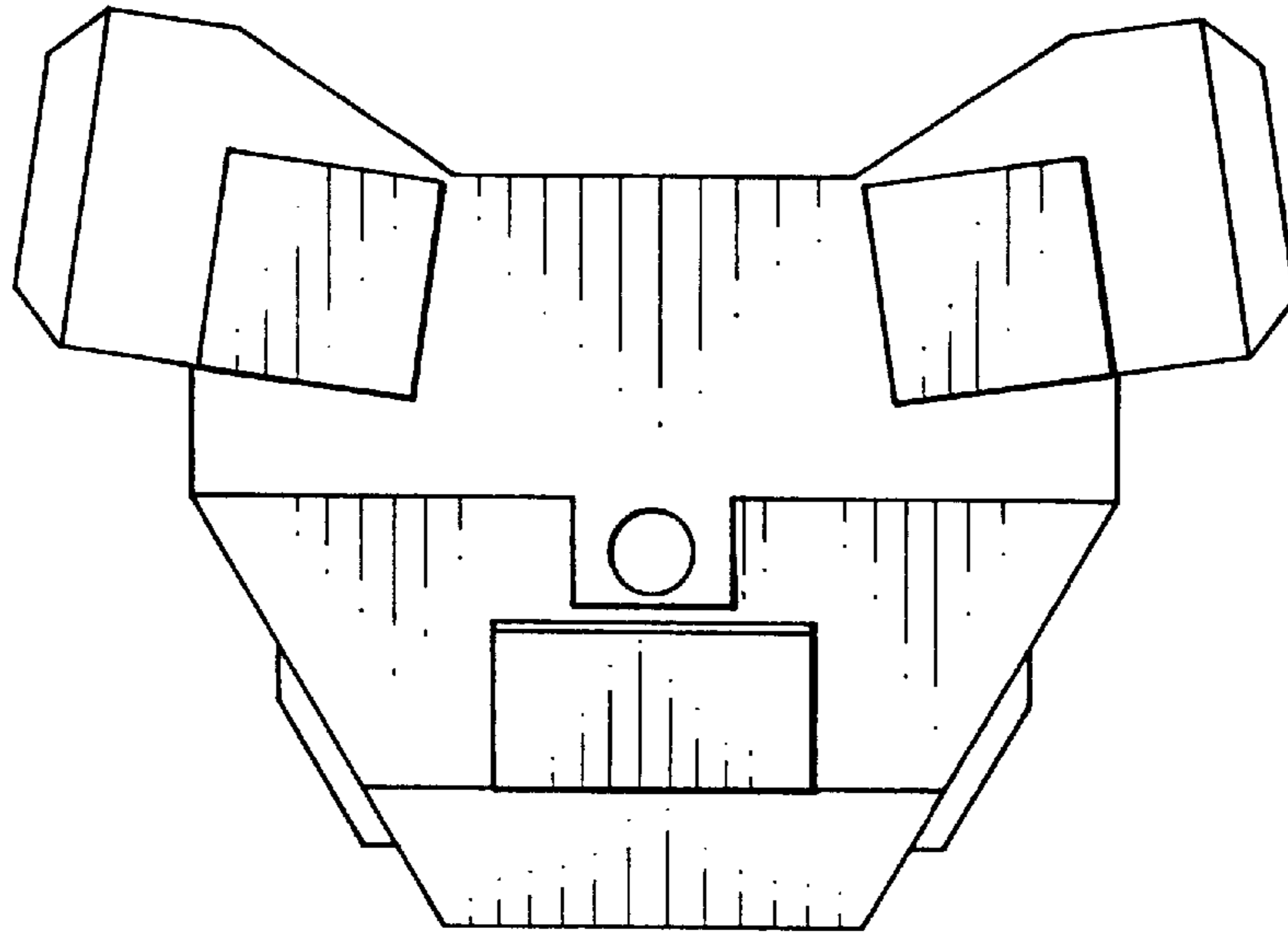


FIG. 5

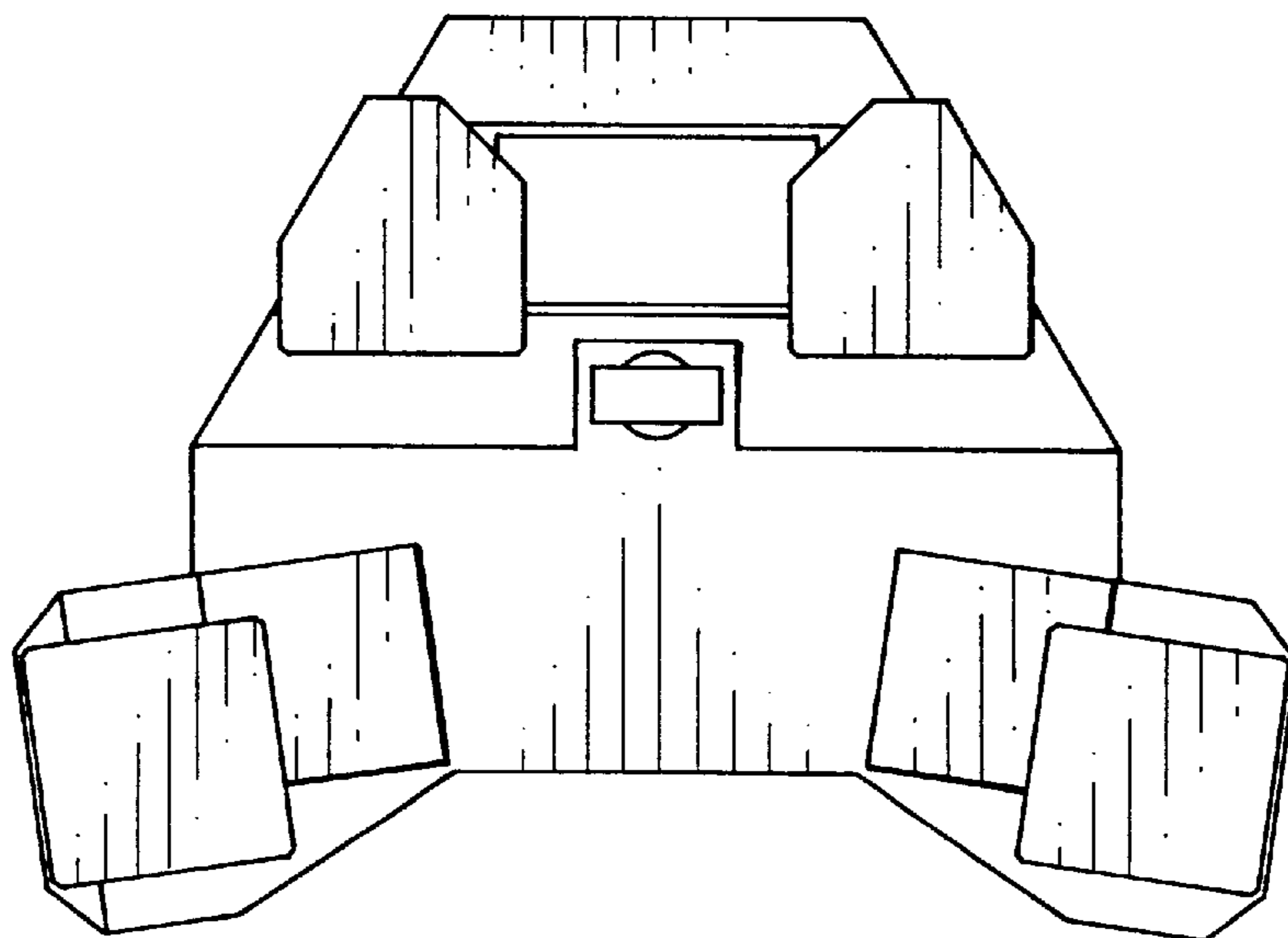


FIG. 6

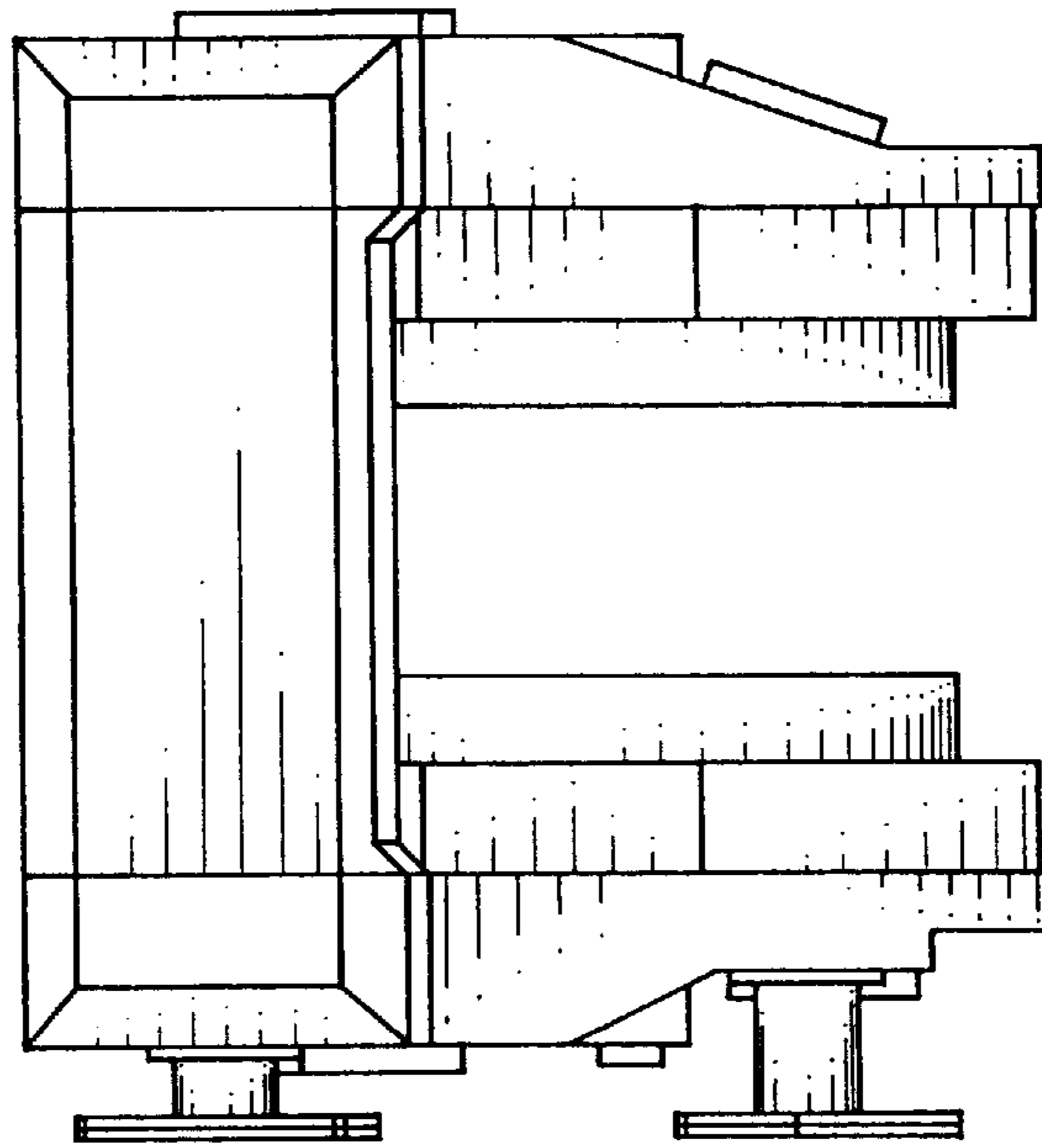


FIG. 7

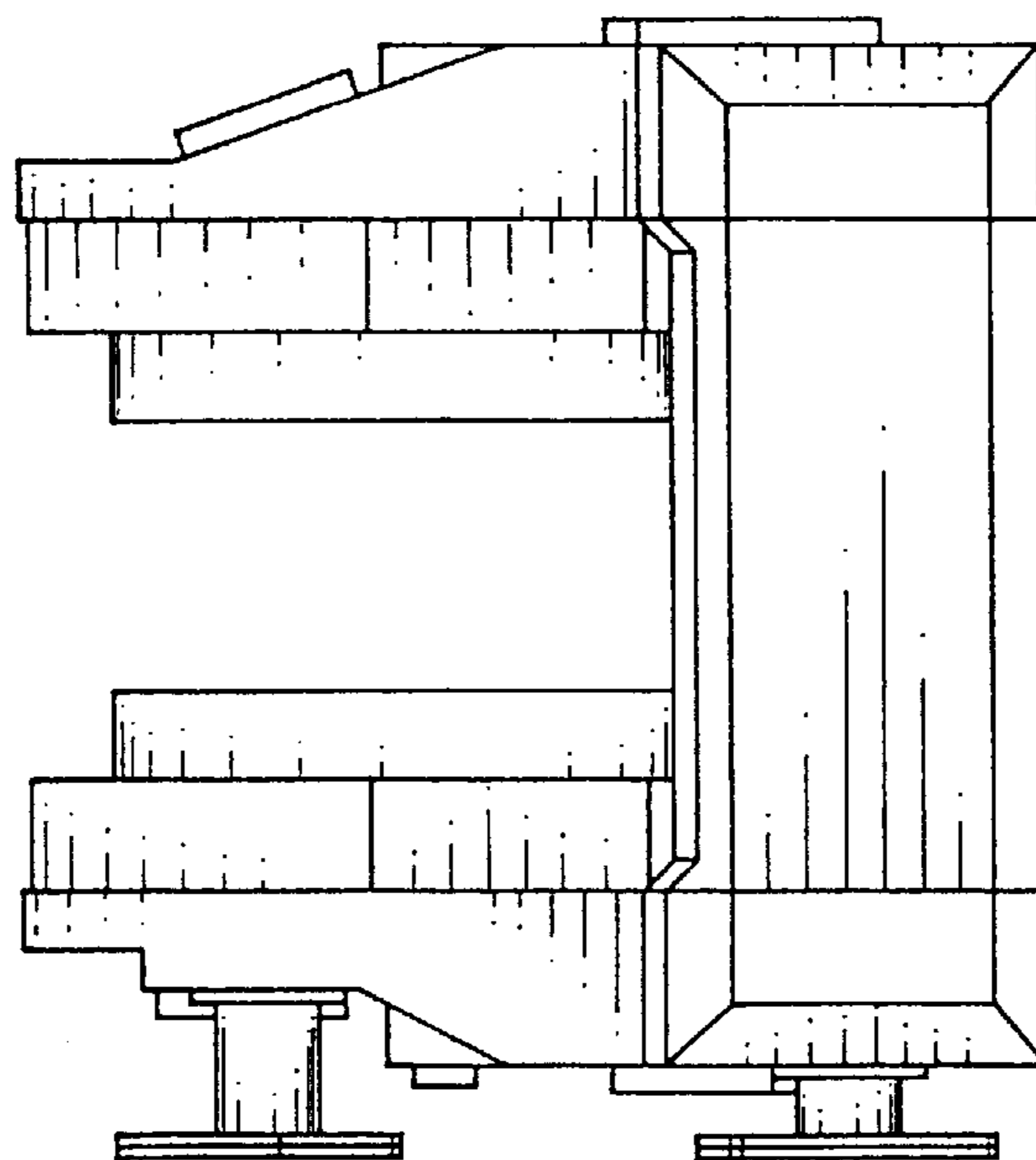


FIG. 8

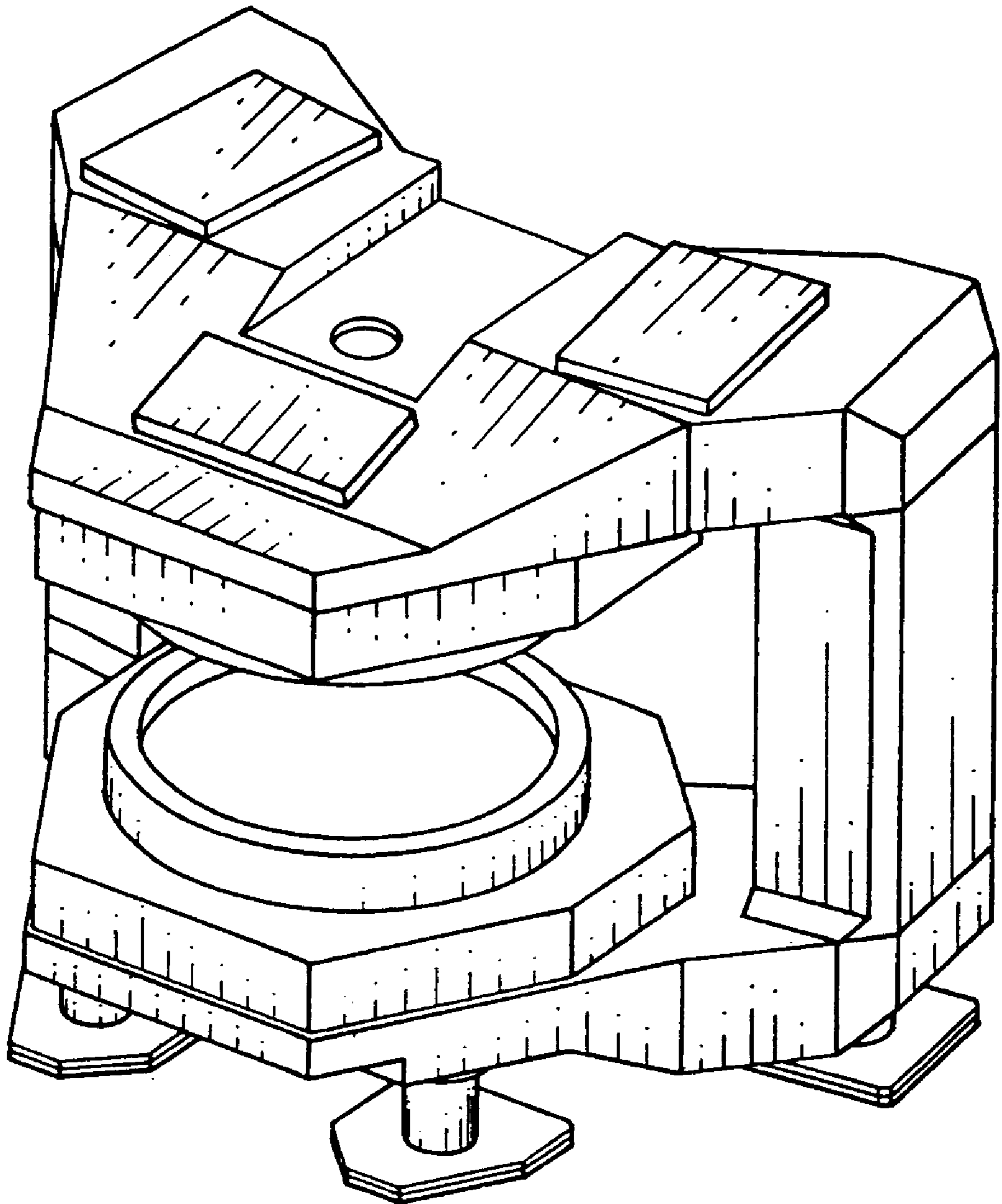


FIG. 9

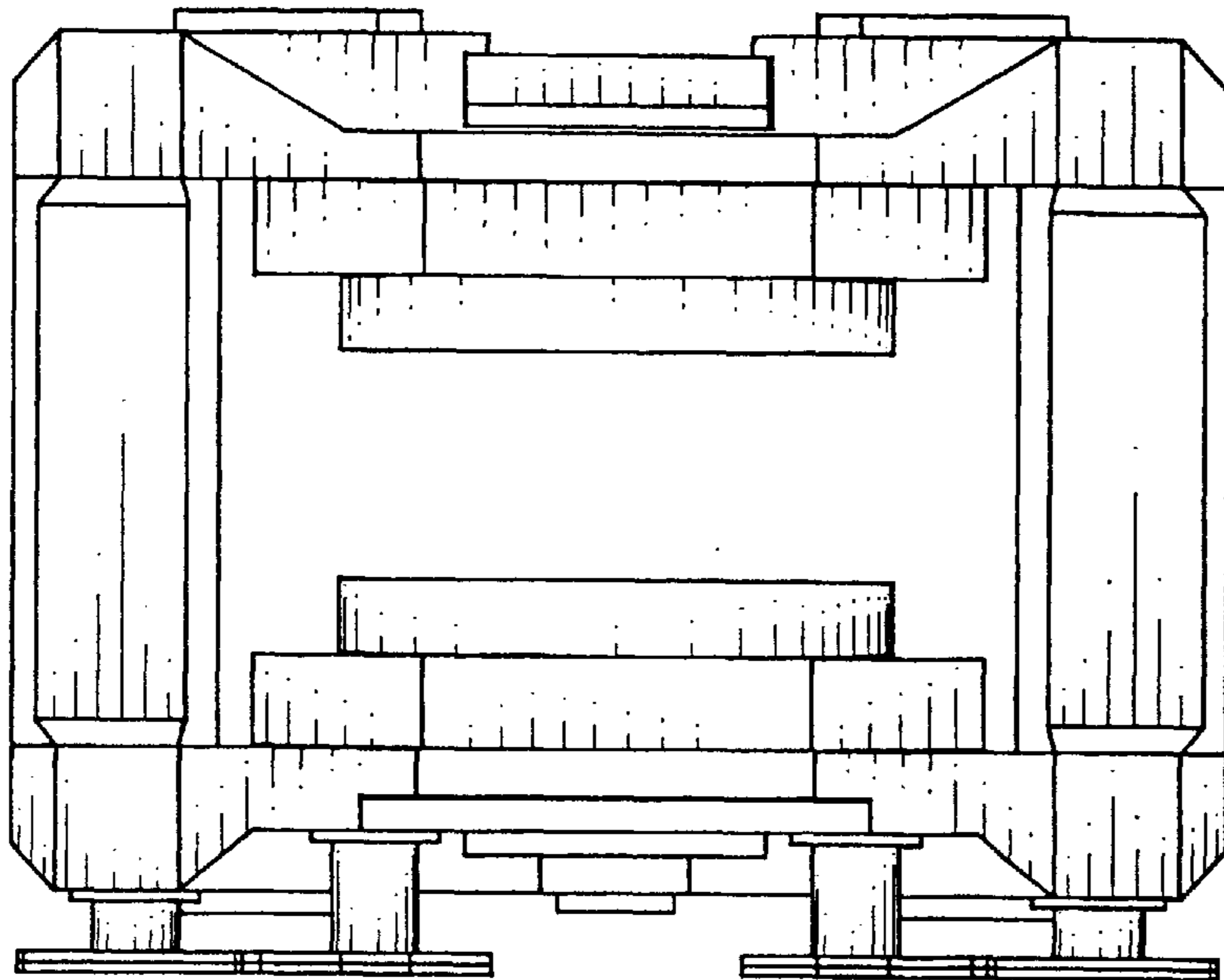


FIG. 10

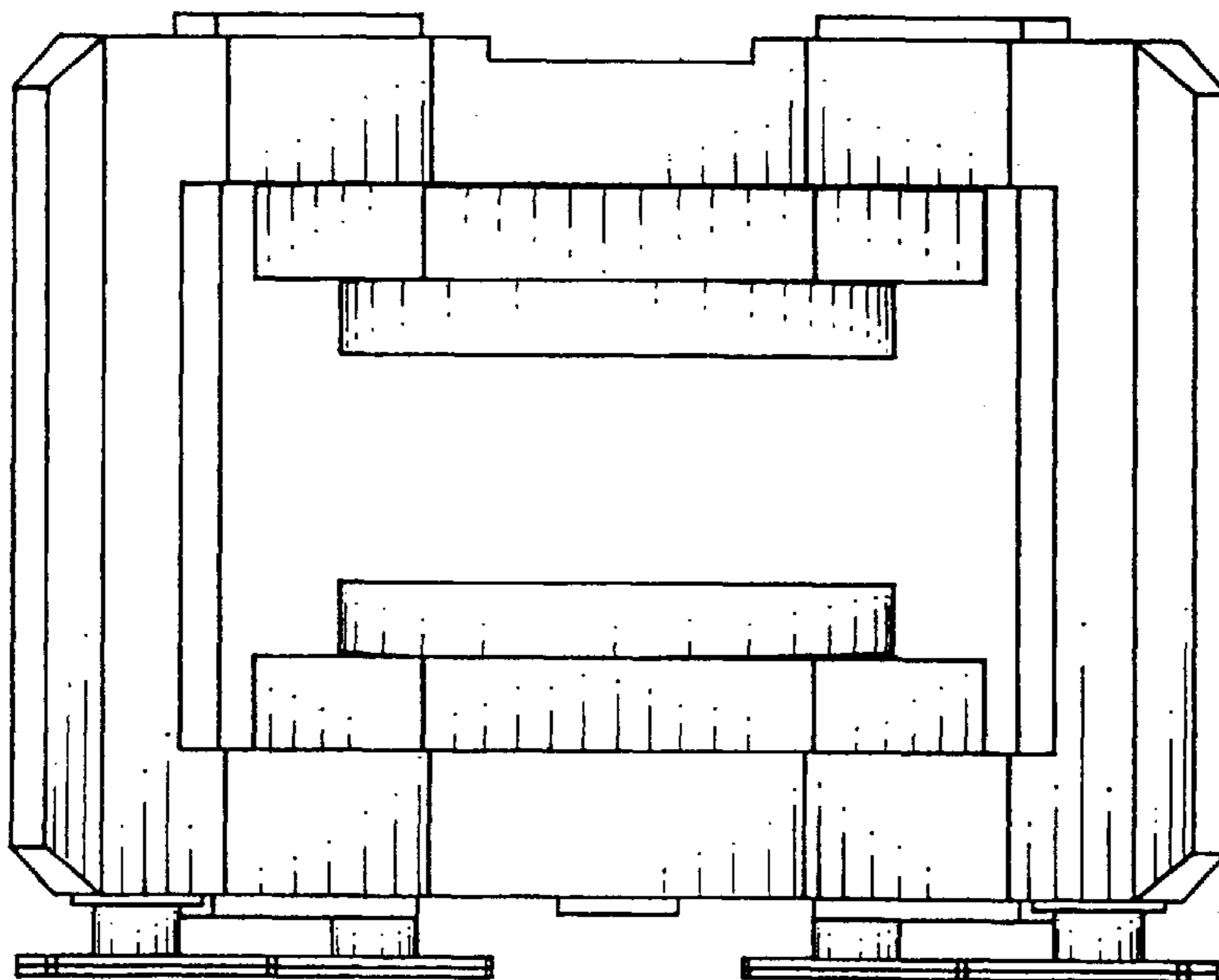


FIG. 11

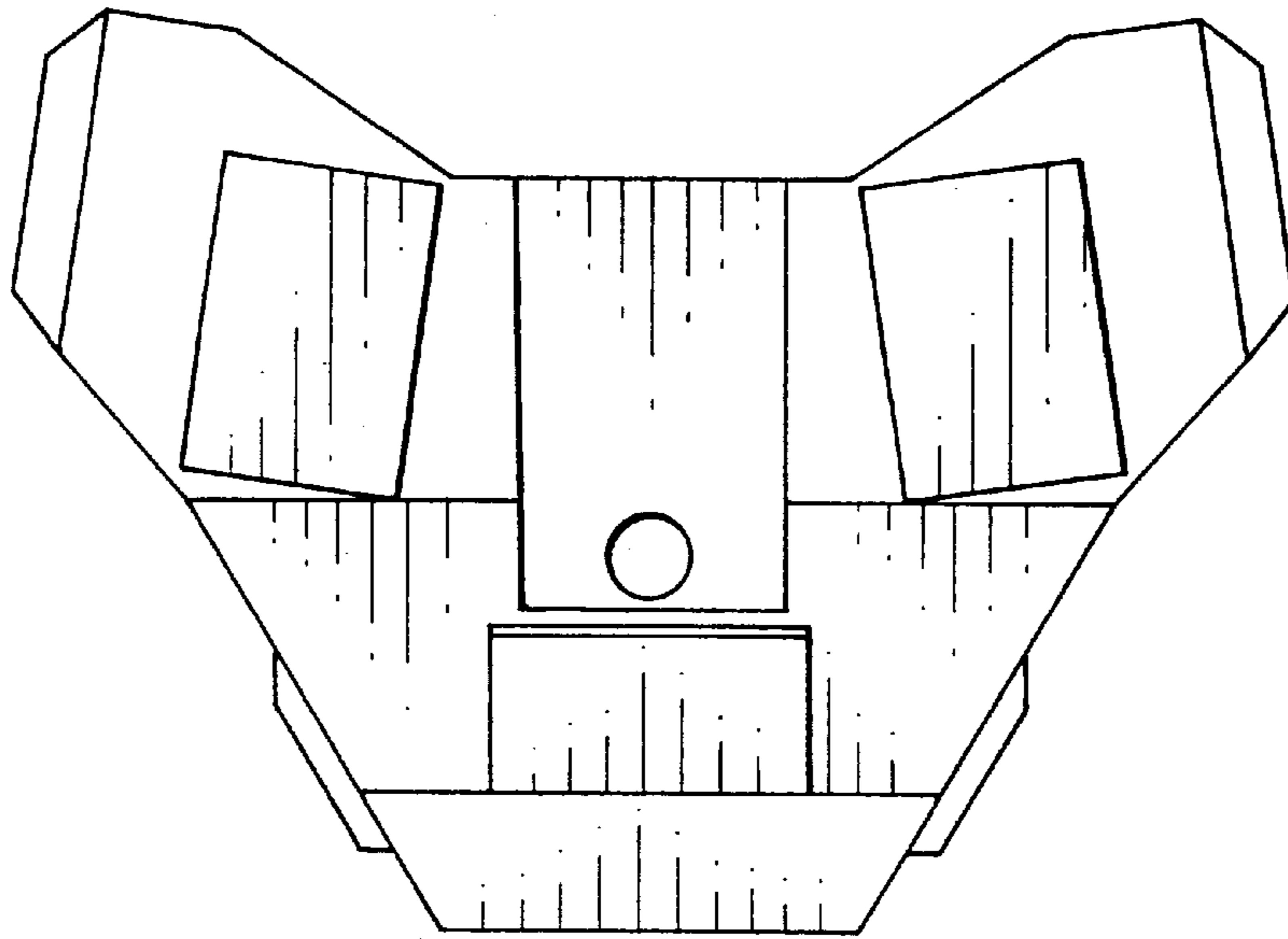


FIG. 12

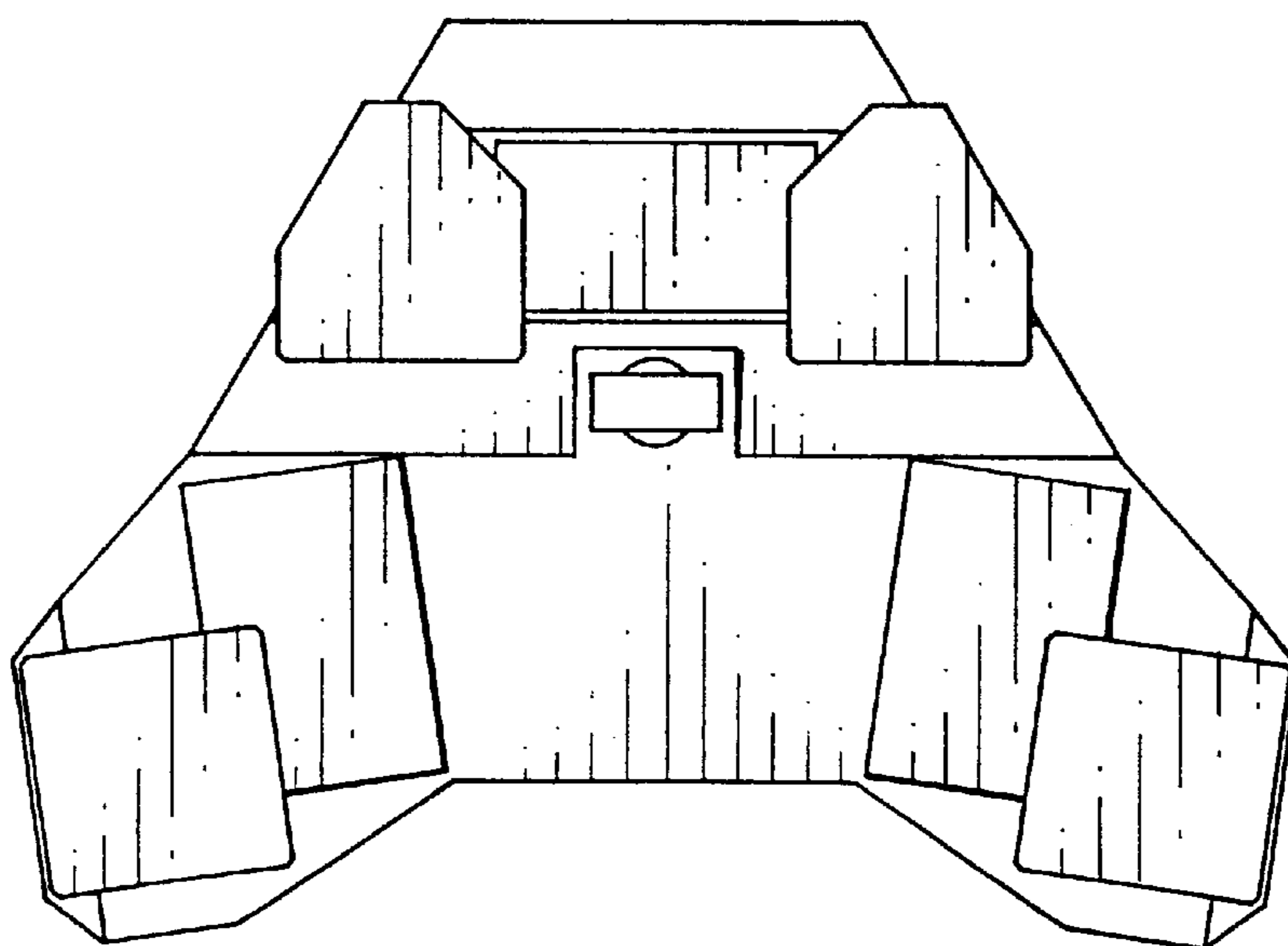


FIG. 13

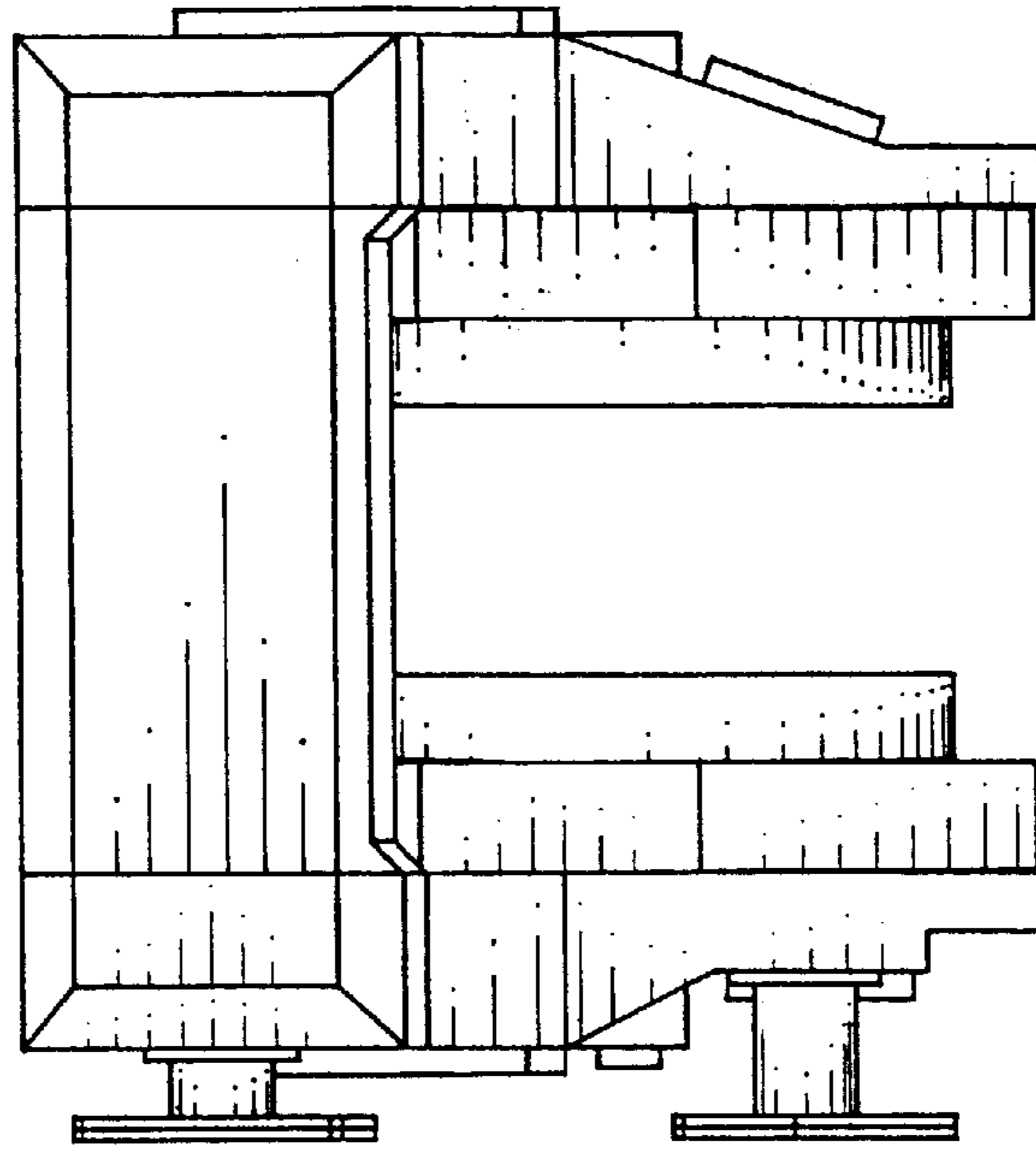


FIG. 14

