



US00D439663S

(12) **United States Design Patent**
Guala

(10) **Patent No.:** **US D439,663 S**

(45) **Date of Patent:** **** Mar. 27, 2001**

(54) **FEMALE CONNECTOR FOR MEDICAL HAEMODIALYSIS LINES**

5,611,576 3/1997 Guala 285/38

(75) Inventor: **Gianni Guala**, Turin (IT)

Primary Examiner—Robin V. Taylor

Assistant Examiner—Reid Hecker

(73) Assignee: **Industrie Borla S.p.A.**, Turin (IT)

(74) *Attorney, Agent, or Firm*—Sughrue, Mion, Zinn, Macpeak & Seas, PLLC

(**) Term: **14 Years**

(57) **CLAIM**

(21) Appl. No.: **29/115,891**

The ornamental design for a female connector for medical haemodialysis lines, as shown and described.

(22) Filed: **Dec. 23, 1999**

DESCRIPTION

(30) **Foreign Application Priority Data**

Jul. 20, 1999 (IT) TO9900200

(51) **LOC (7) Cl.** **24-02**

(52) **U.S. Cl.** **D24/129**

(58) **Field of Search** D24/129; D23/259,
D23/262; 604/93.01, 533, 905; 285/38,
332, 393, 423, 921

FIG. 1 is a perspective view of a female connector for medical haemodialysis lines and shows our design;

FIG. 2 is a plan view of the female connector for medical haemodialysis lines;

FIG. 3 is a right side view of the female connector for medical haemodialysis lines;

FIG. 4 is a left side view of the female connector for medical haemodialysis lines;

FIG. 5 is a front view from above of female connector for medical haemodialysis lines; and,

FIG. 6 is a rear view of the female connector for medical haemodialysis lines.

(56) **References Cited**

U.S. PATENT DOCUMENTS

D. 268,871 5/1983 Benham et al. D24/129
D. 314,050 1/1991 Sone D24/129
4,991,629 2/1991 Ernesto et al. 604/905

1 Claim, 2 Drawing Sheets

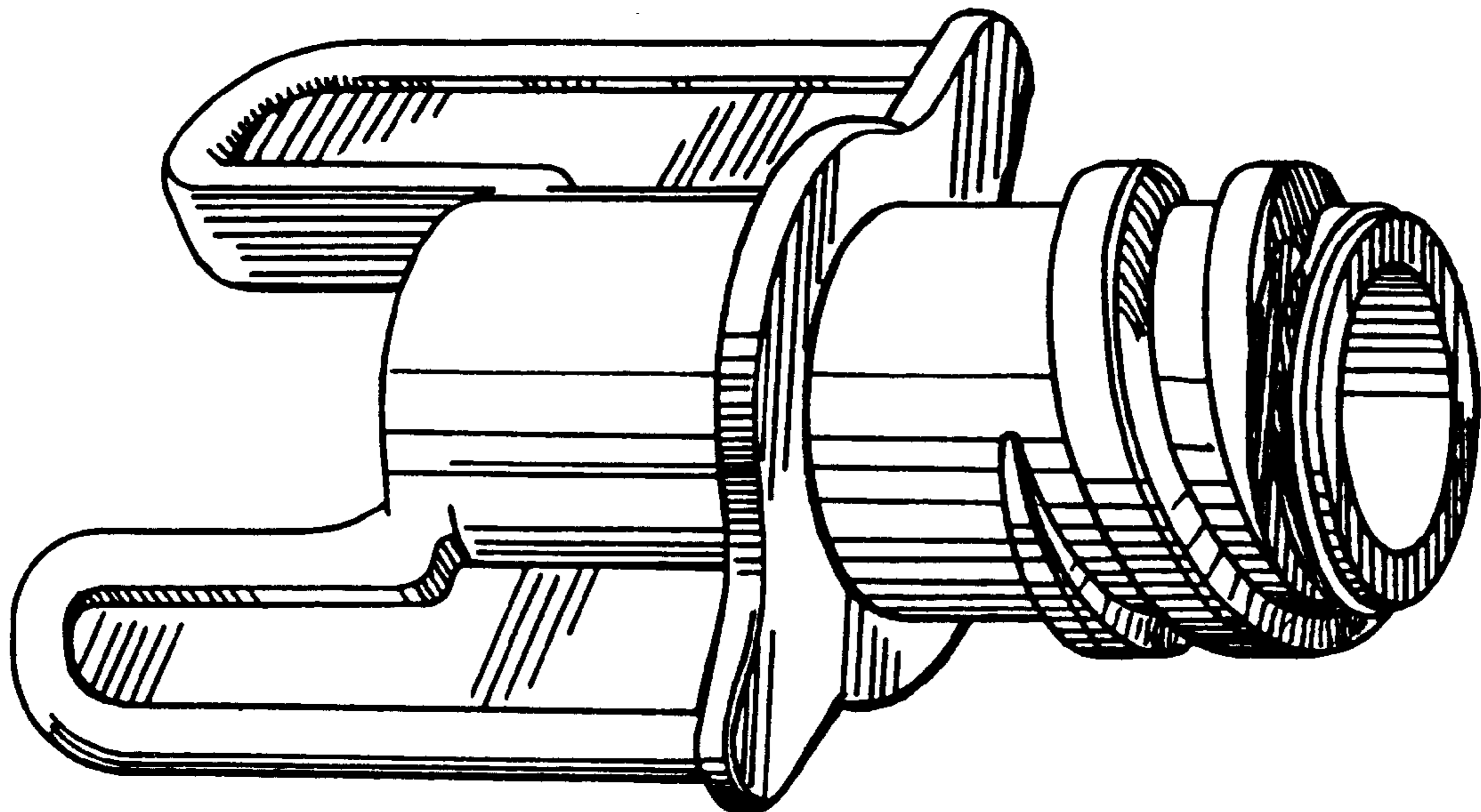


Fig. 1

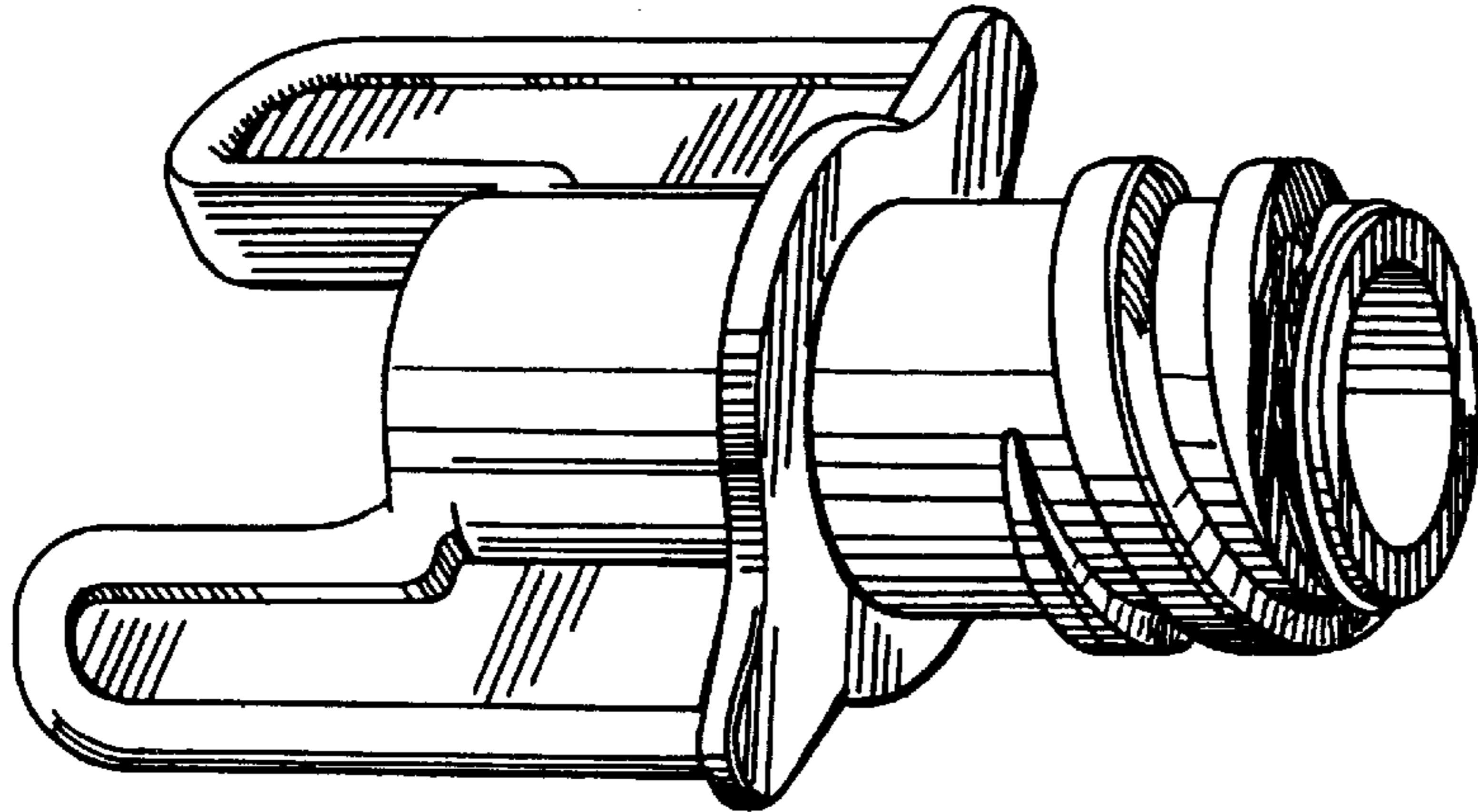


Fig. 2

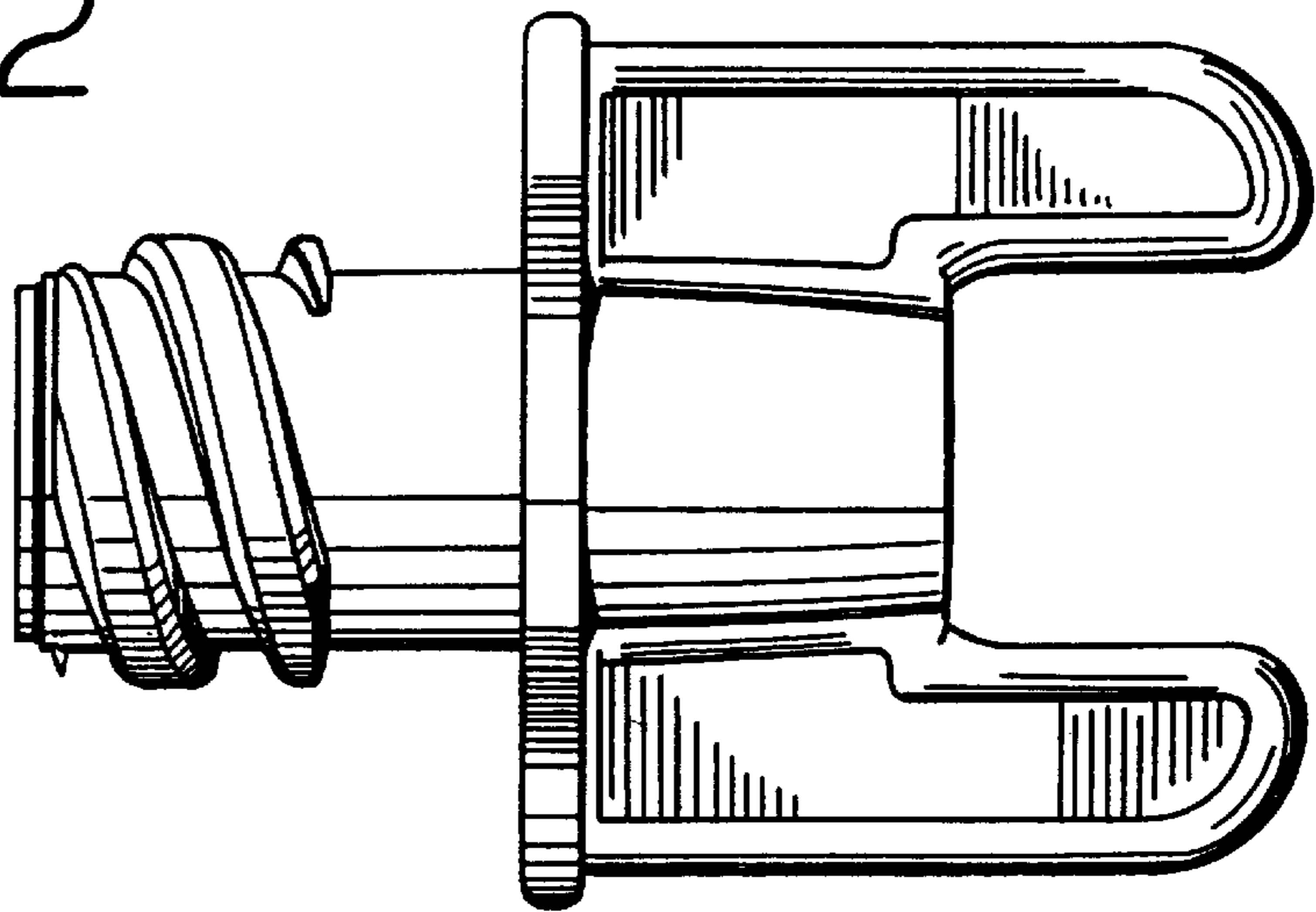
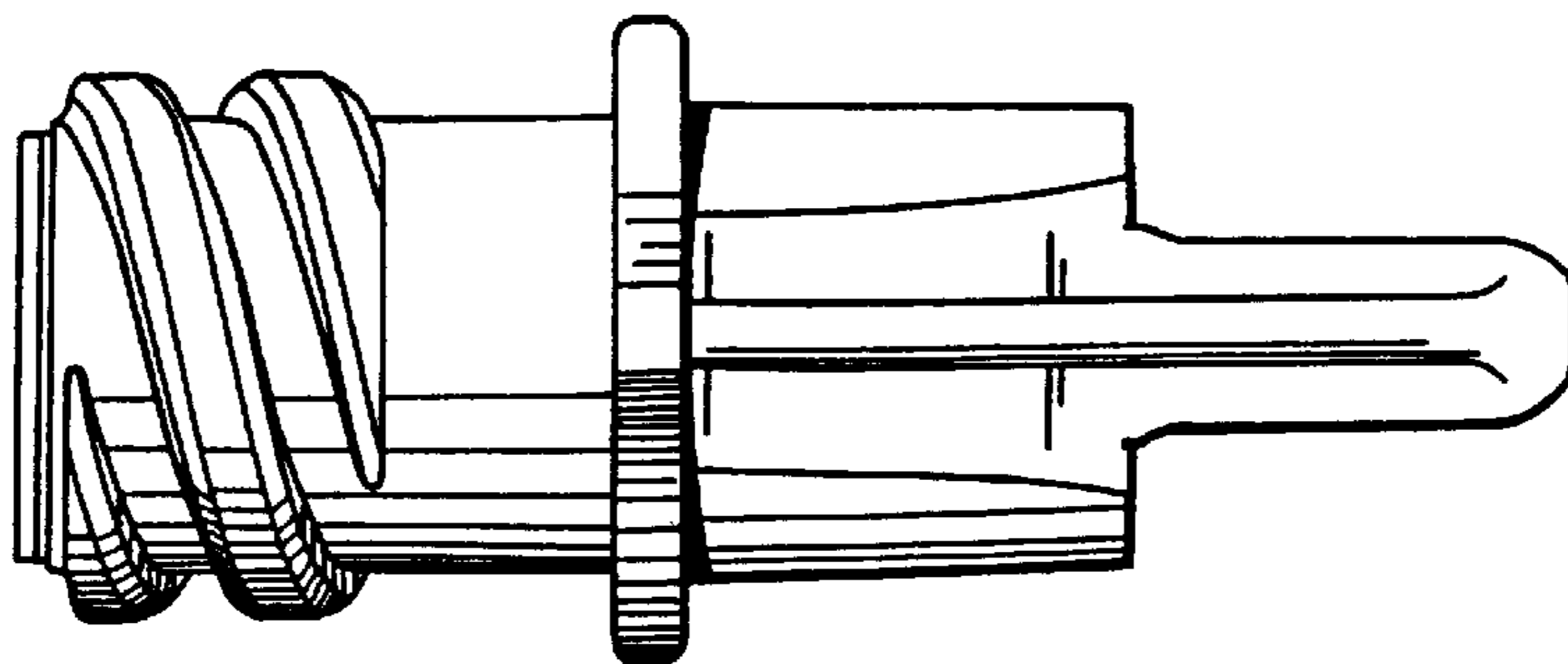


Fig. 3



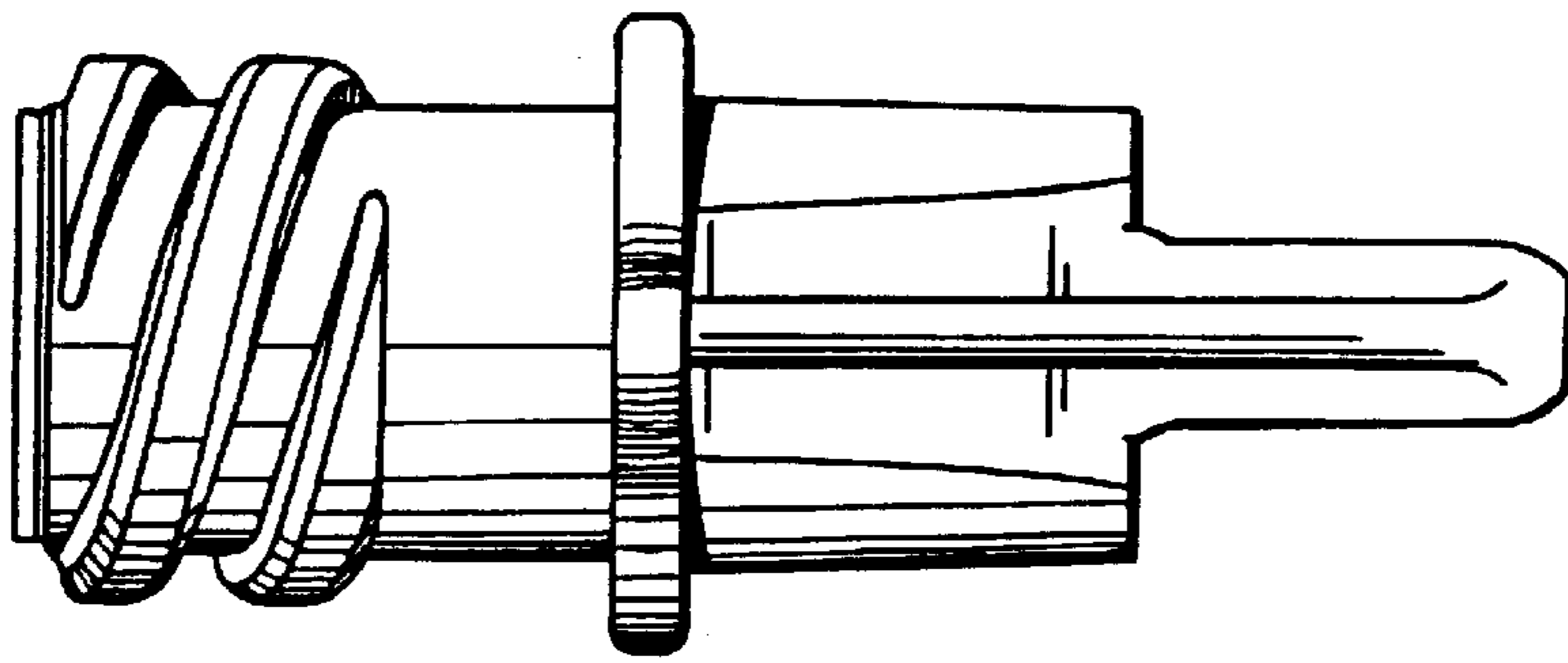


Fig. 4

Fig. 5

Fig. 6

