



US00D439657S

(12) **United States Design Patent**  
**Bridle**

(10) **Patent No.:** **US D439,657 S**

(45) **Date of Patent:** **\*\* Mar. 27, 2001**

(54) **PUSH BUTTON FLUID DELIVERY CONTROLLER**

(75) **Inventor:** **Mark M. Bridle**, Newport Beach, CA (US)

(73) **Assignee:** **Baxter International Inc.**, Deerfield, IL (US)

(\*\*) **Term:** **14 Years**

(21) **Appl. No.:** **29/112,534**

(22) **Filed:** **Oct. 19, 1999**

(51) **LOC (7) Cl.** ..... **24-02**

(52) **U.S. Cl.** ..... **D24/113; D24/129**

(58) **Field of Search** ..... D24/108, 112, D24/113, 127, 129, 133; D13/168; 128/DIG. 12; 604/93, 95, 131, 181, 246, 890.1; 251/117

(56) **References Cited**

**U.S. PATENT DOCUMENTS**

- D. 263,335 \* 3/1982 Bujan ..... D24/129
- D. 319,505 \* 8/1991 Aslanian ..... D24/129
- D. 366,262 \* 1/1996 Inaba ..... D13/168

- D. 381,417 \* 7/1997 Simmons et al. .... D24/112
- D. 405,525 \* 2/1999 Barrett et al. .... D24/113
- 5,746,719 \* 5/1998 Farra et al. .... 604/131
- 5,921,962 \* 7/1999 Kriesel et al. .... 604/246
- 6,074,369 \* 6/2000 Sage et al. .... 604/181

\* cited by examiner

*Primary Examiner*—Alan P. Douglas

*Assistant Examiner*—Reid Hecker

(74) *Attorney, Agent, or Firm*—Jeffrey C. Nichols; Mark J. Buonaiuto; Francis C. Kowalik

(57) **CLAIM**

I claim the ornamental Design for a push button fluid delivery controller, as shown and described.

**DESCRIPTION**

FIG. 1 is a perspective view of a push button fluid delivery controller showing my new design;  
 FIG. 2 is a side elevation view thereof;  
 FIG. 3 is a top plan view thereof;  
 FIG. 4 is a bottom plan view thereof;  
 FIG. 5 is a front elevation view thereof; and,  
 FIG. 6 is rear elevation view thereof.

**1 Claim, 1 Drawing Sheet**

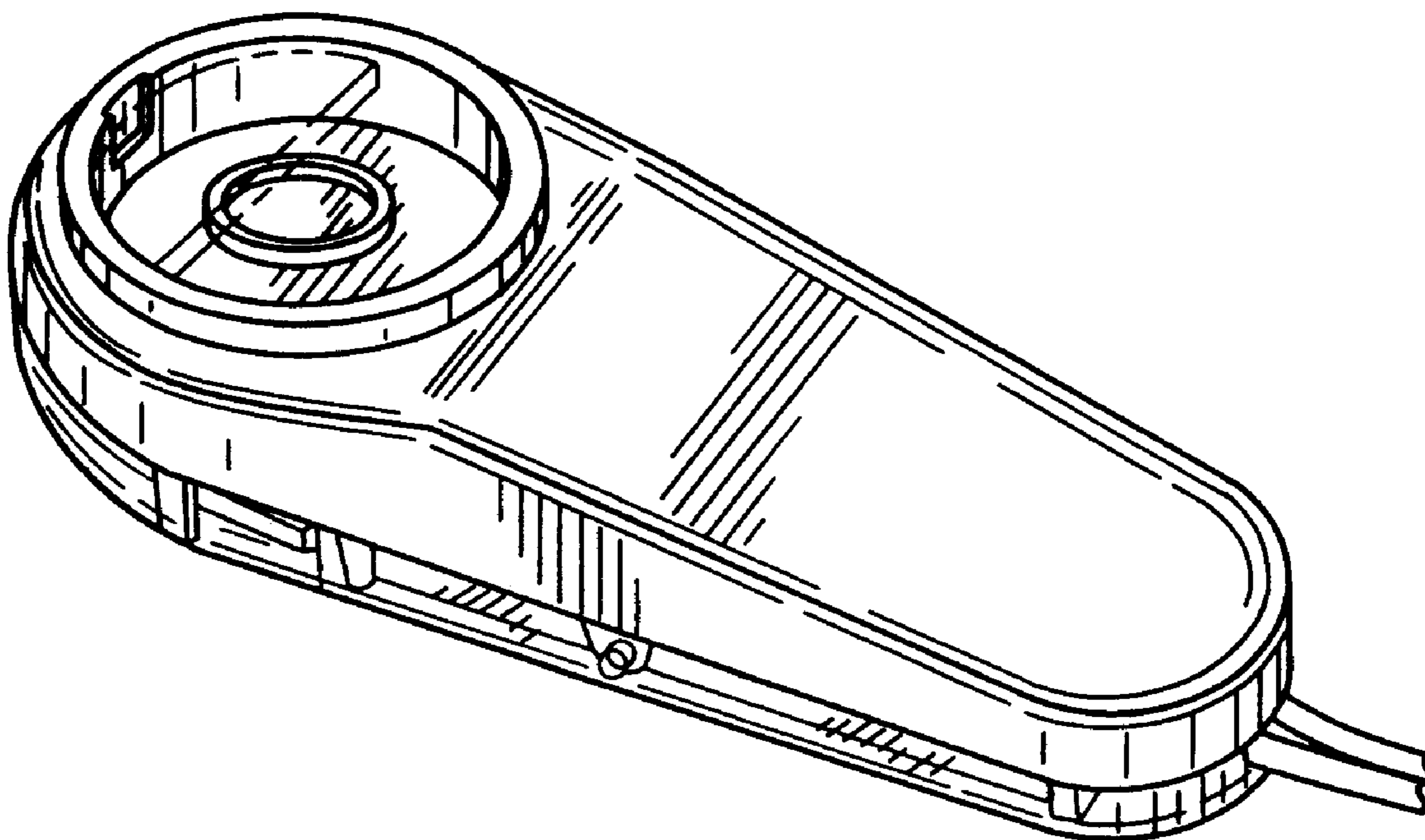


FIG. 1

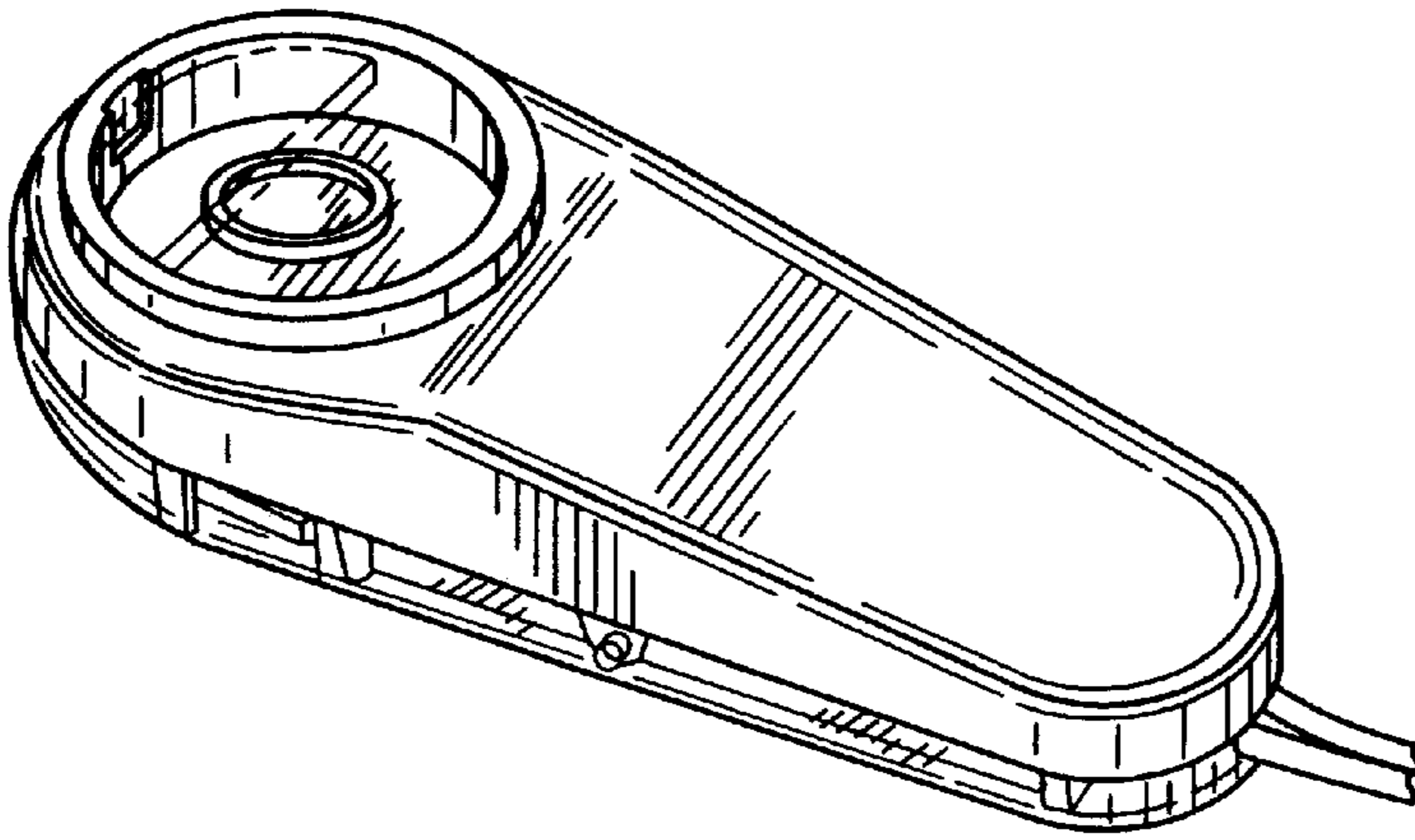


FIG. 5

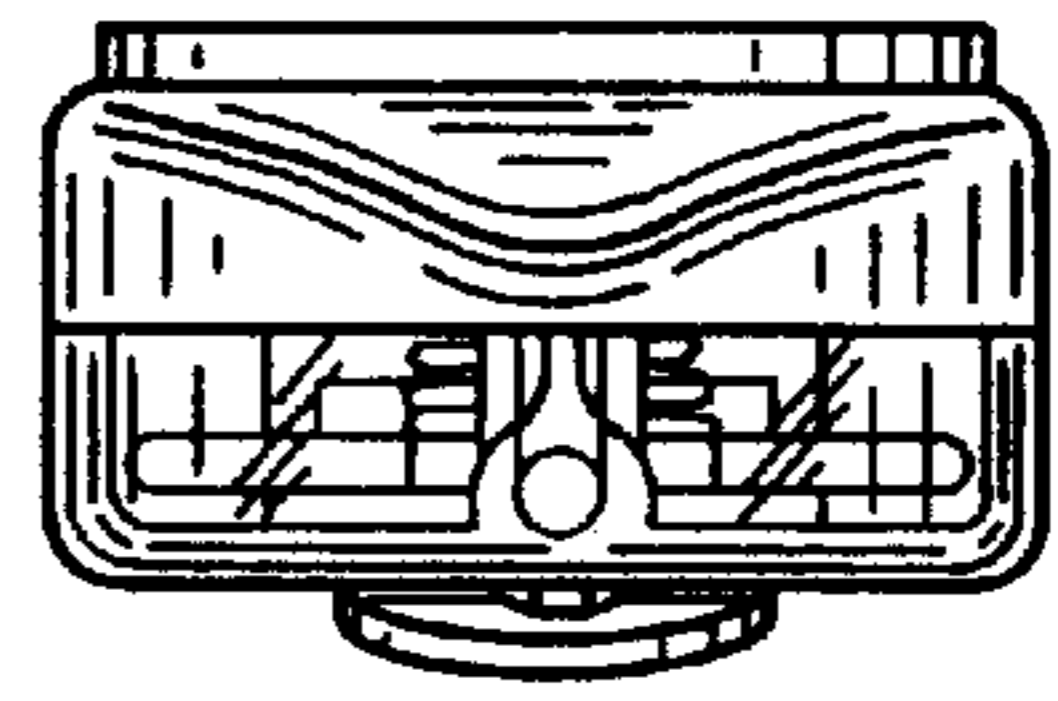


FIG. 6

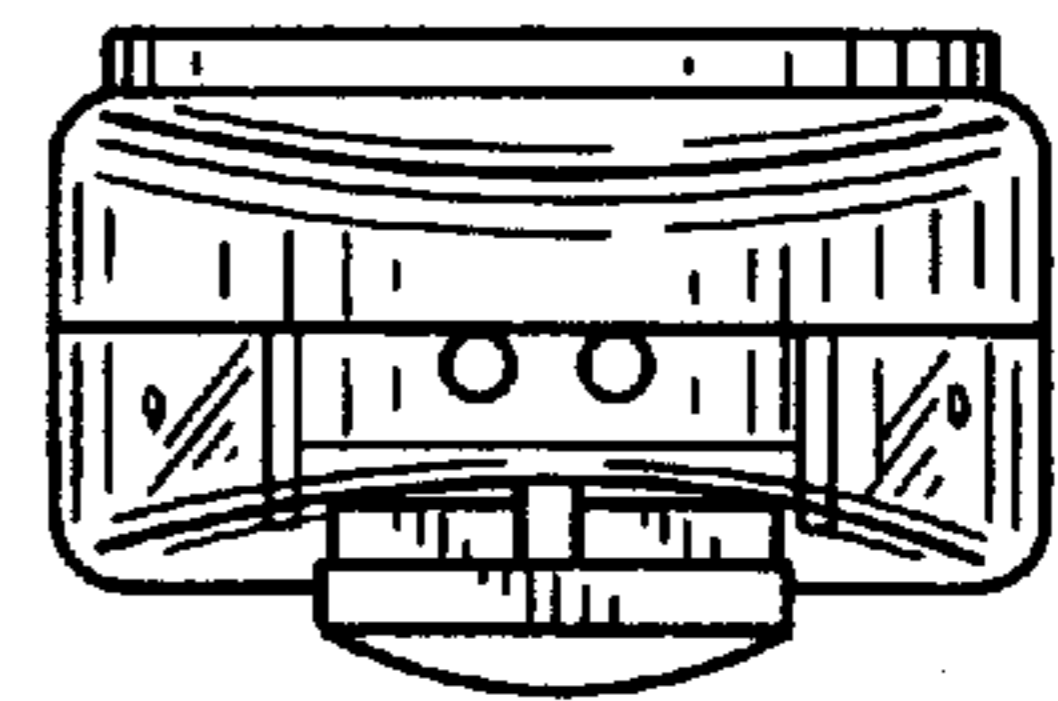


FIG. 2

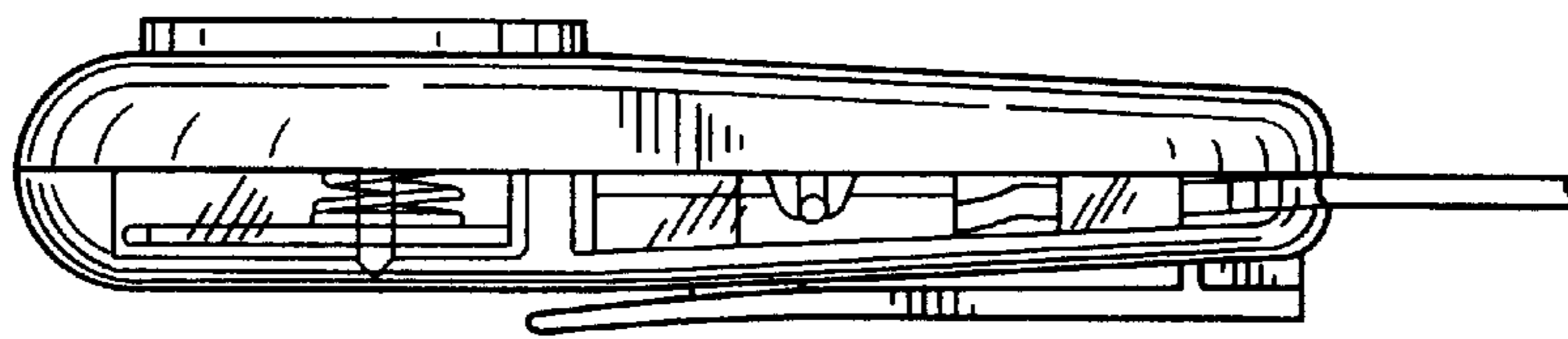


FIG. 3

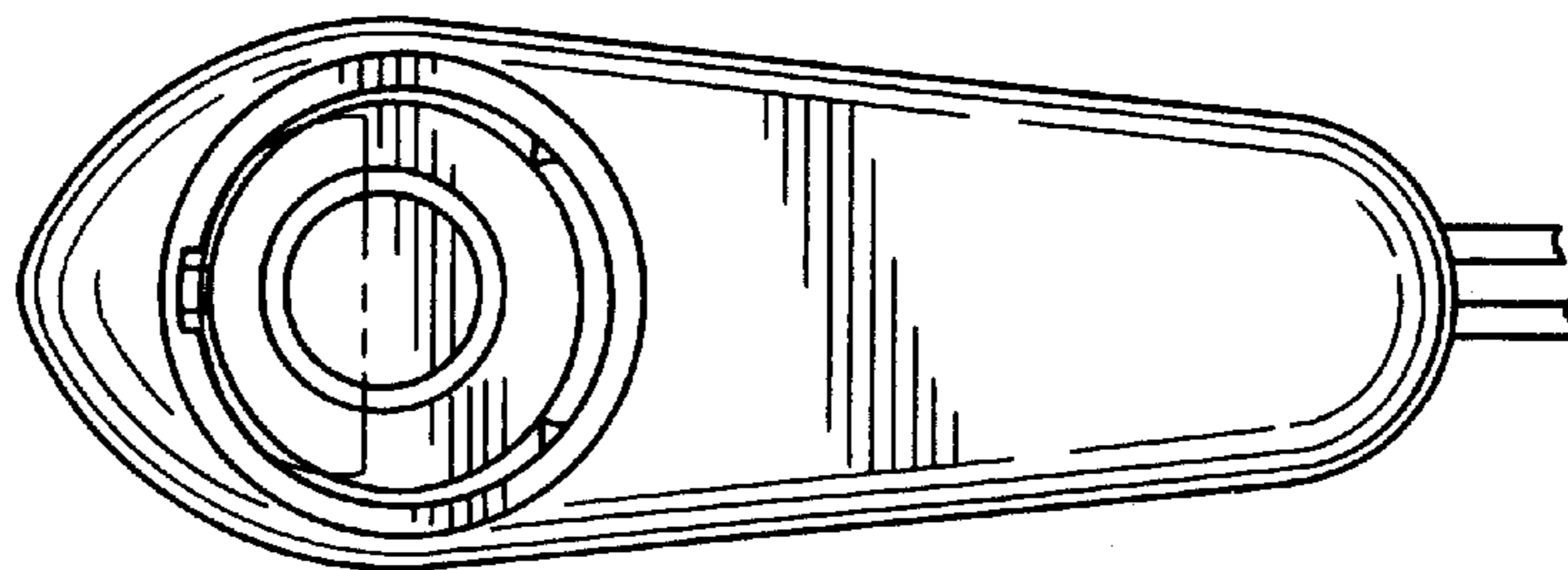


FIG. 4

