



US00D439656S

(12) **United States Design Patent**  
**Andersson et al.**

(10) **Patent No.:** **US D439,656 S**

(45) **Date of Patent:** **\*\* Mar. 27, 2001**

(54) **INHALER**

(74) *Attorney, Agent, or Firm*—Nixon & Vanderhye

(75) **Inventors:** **Malin Andersson**, Stockholm; **Maria Benktzon**, Sollentuna; **Sven-Eric Juhlin**, Stockholm, all of (SE)

(57) **CLAIM**

The ornamental design for an inhaler, as shown and described.

(73) **Assignee:** **AstraZeneca UK Limited**, London (GB)

**DESCRIPTION**

(\*\*) **Term:** **14 Years**

FIG. 1 is a front perspective view from above and to one side of an inhaler showing our new design, shown in open configuration;

(21) **Appl. No.:** **29/119,606**

FIG. 2 is a rear perspective view from above and the other side of the inhaler, shown in open configuration;

(22) **Filed:** **Mar. 6, 2000**

FIG. 3 is a side elevational view thereof, the opposite side elevational view being a mirror image thereto;

(51) **LOC (7) Cl.** ..... **29-02**

(52) **U.S. Cl.** ..... **D24/110**

FIG. 4 is a front elevational view thereof;

(58) **Field of Search** ..... D24/110; 128/200.23, 128/200.14, 203.15, 202.22, 205.23, 203.21, 203.23

FIG. 5 is a top plan view thereof;

FIG. 6 is a bottom plan view thereof;

FIG. 7 is a rear elevational view thereof;

(56) **References Cited**

**U.S. PATENT DOCUMENTS**

D. 276,847	*	12/1984	Nyman et al.	.....	D24/110
D. 377,215	*	1/1997	Rand	.....	D24/110
D. 389,570	*	1/1998	Savolainen	.....	D24/110
3,865,279	*	2/1975	James	.....	128/200.23
4,969,578	*	11/1990	Gander et al.	.....	128/200.23
5,692,492	*	12/1997	Bruna et al.	.....	128/200.23

FIG. 8 is a front perspective view from above and to one side of the inhaler, shown in closed configuration;

FIG. 9 is a rear perspective view from above and the other side the inhaler, shown in closed configuration;

FIG. 10 is a side elevational view thereof, the opposite side elevational view being a mirror image thereto;

FIG. 11 is a front elevational view thereof;

FIG. 12 is a top plan view thereof;

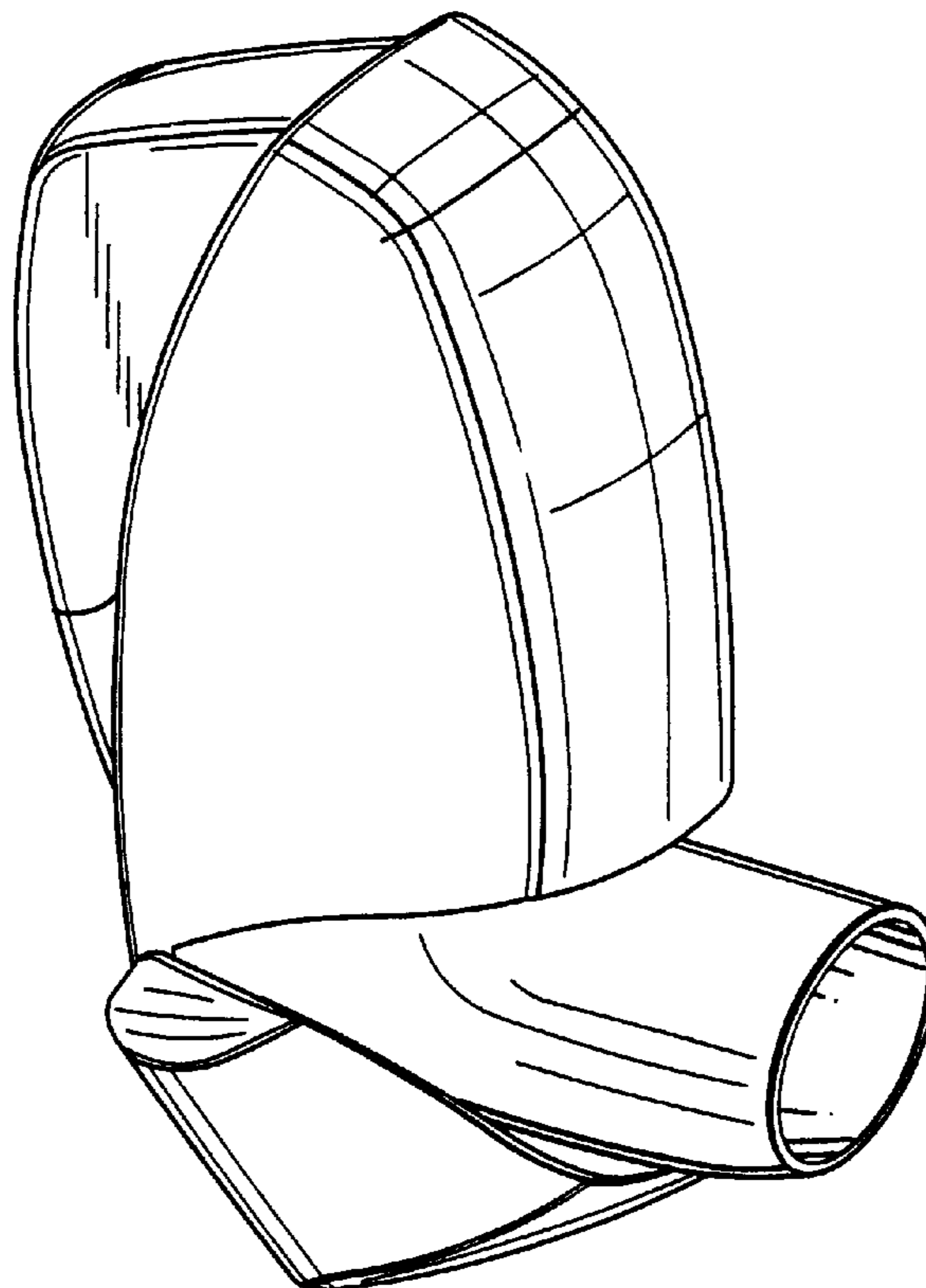
FIG. 13 is a bottom plan view thereof; and,

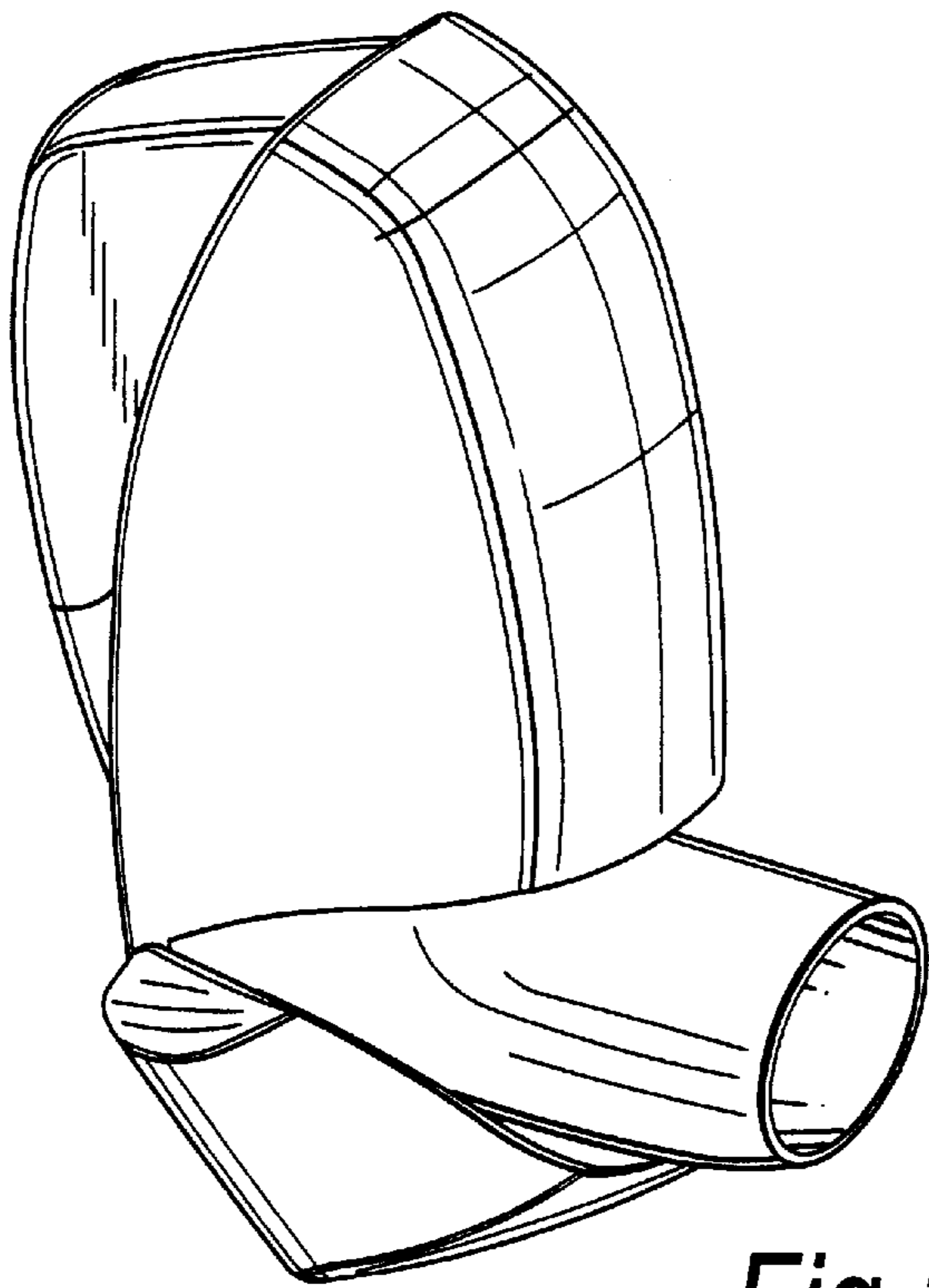
FIG. 14 is a rear elevational view thereof.

\* cited by examiner

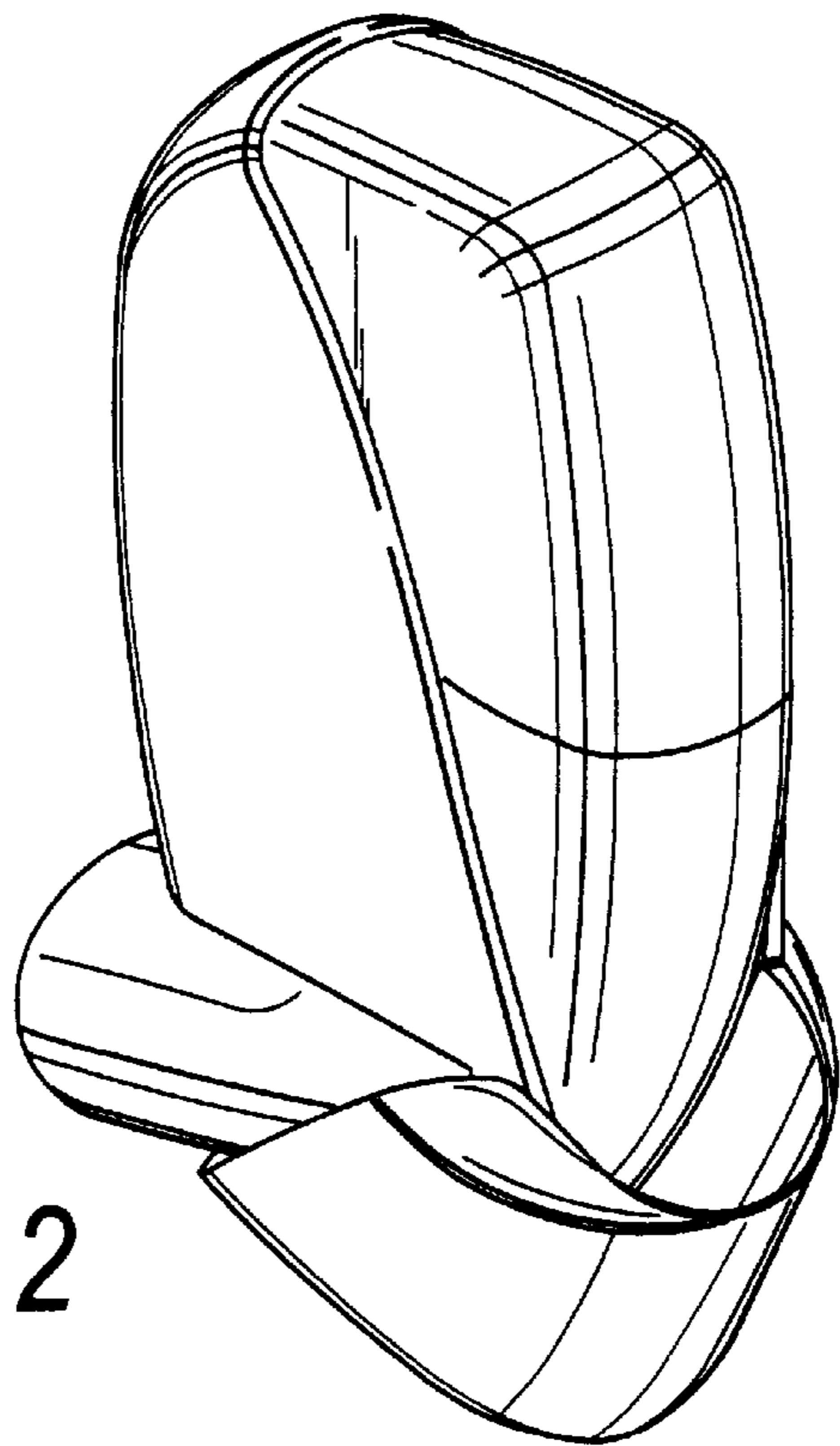
*Primary Examiner*—Ian Simmons

**1 Claim, 4 Drawing Sheets**

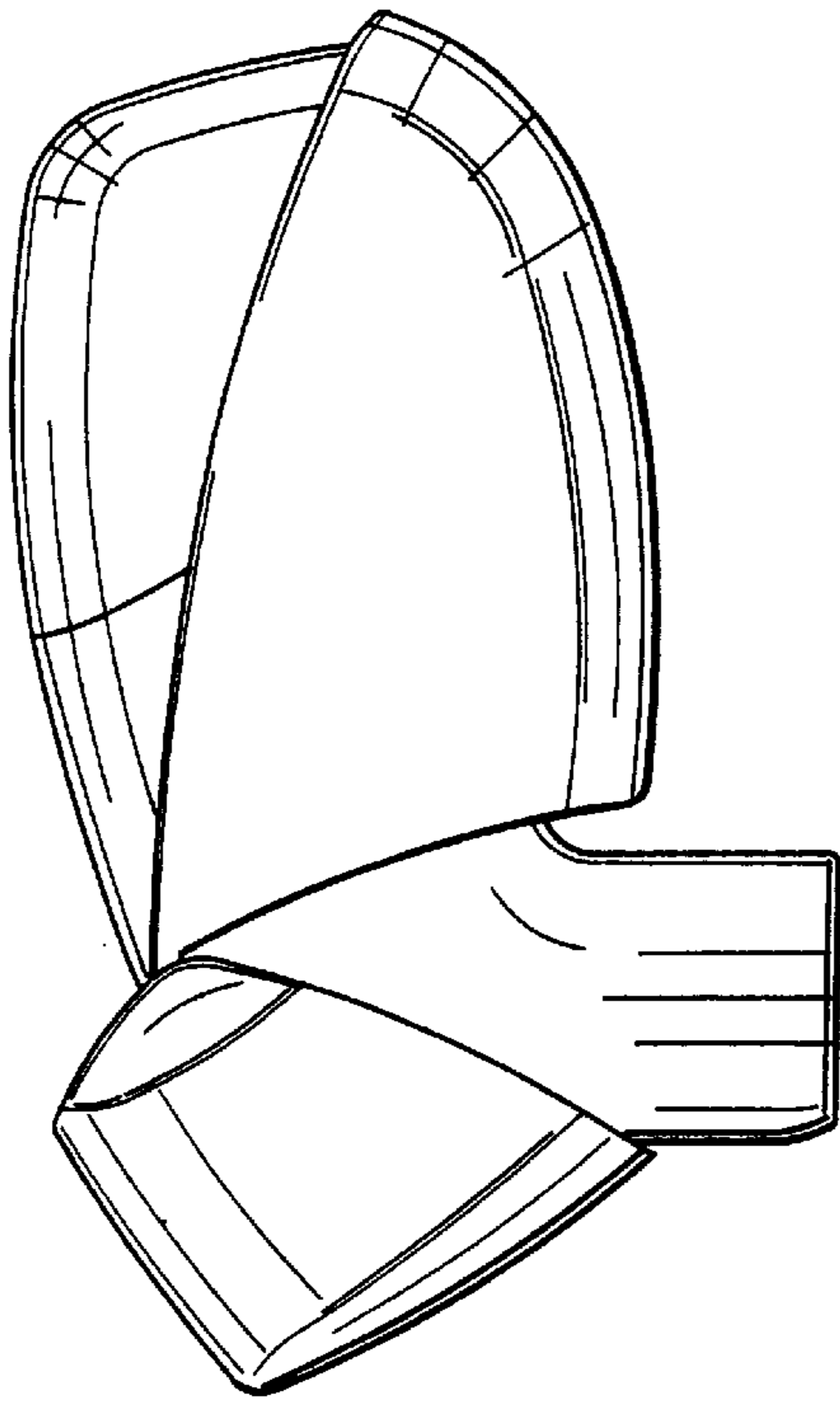




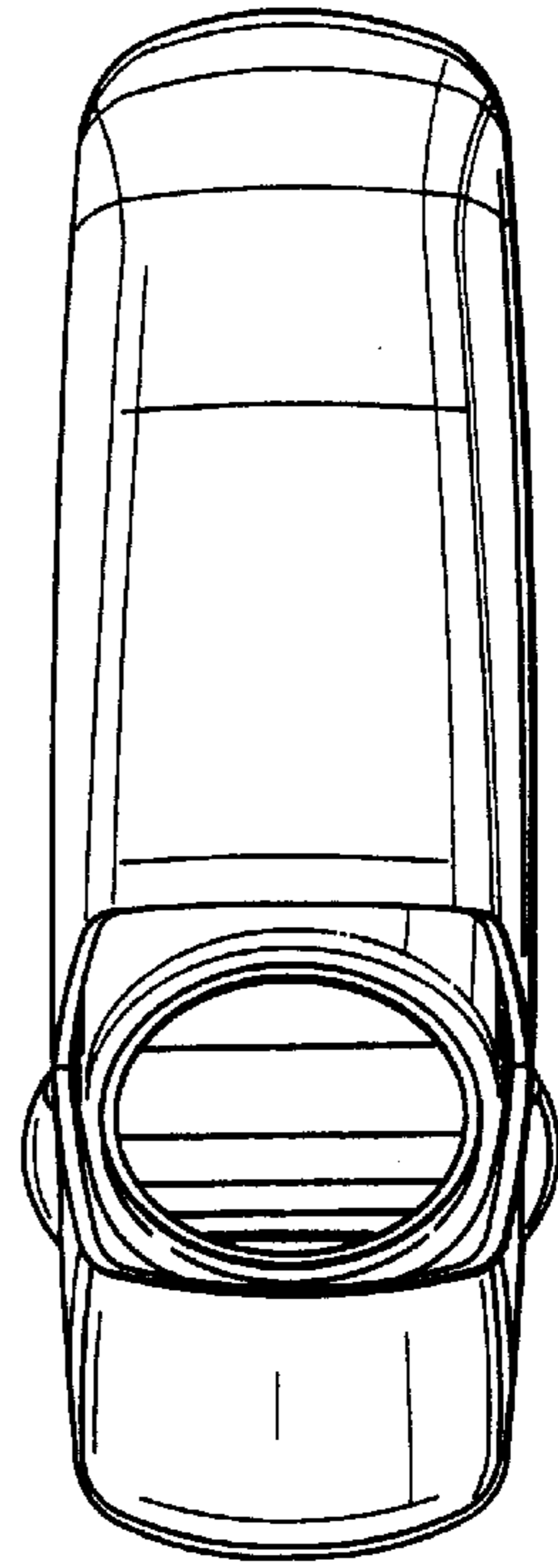
*Fig. 1*



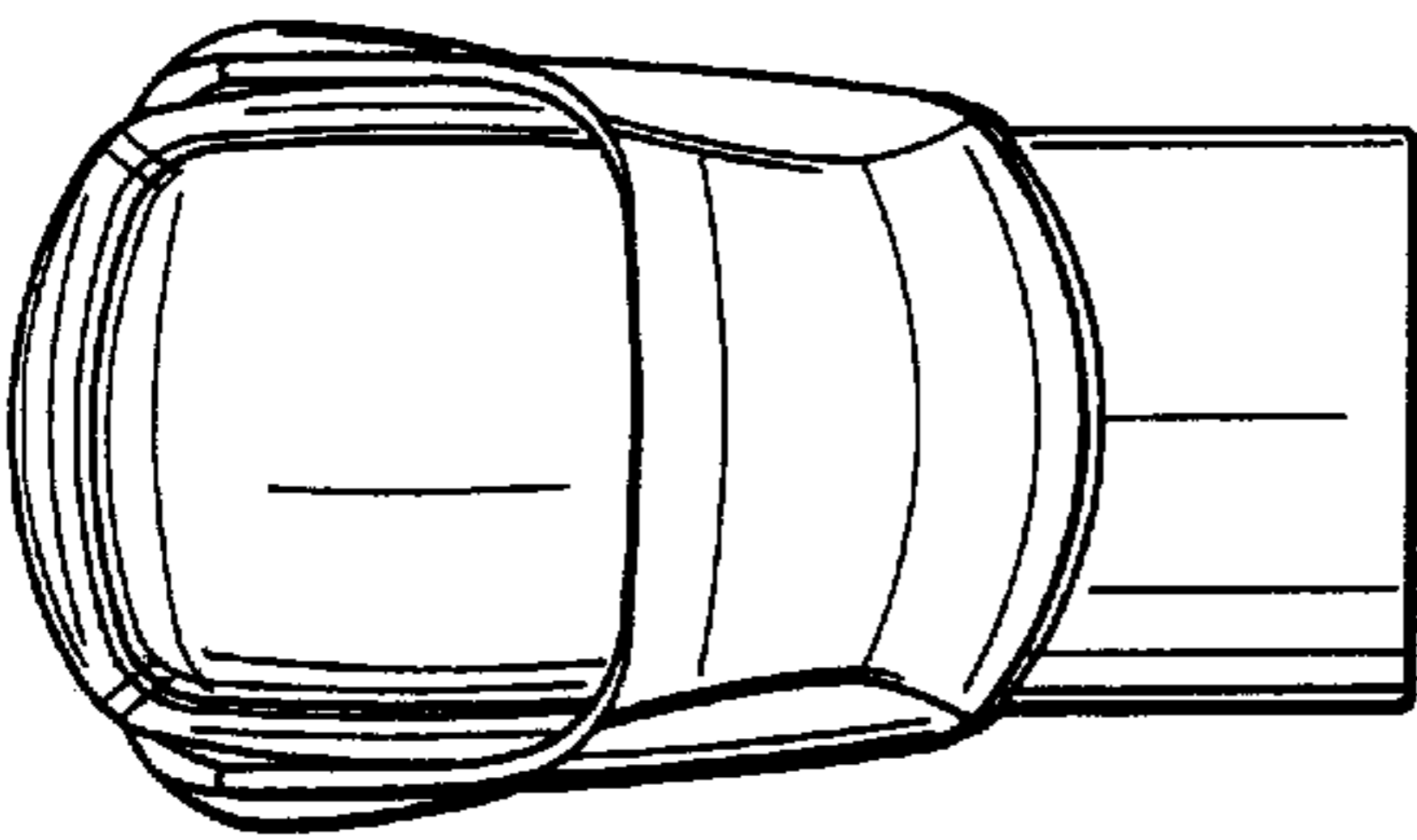
*Fig. 2*



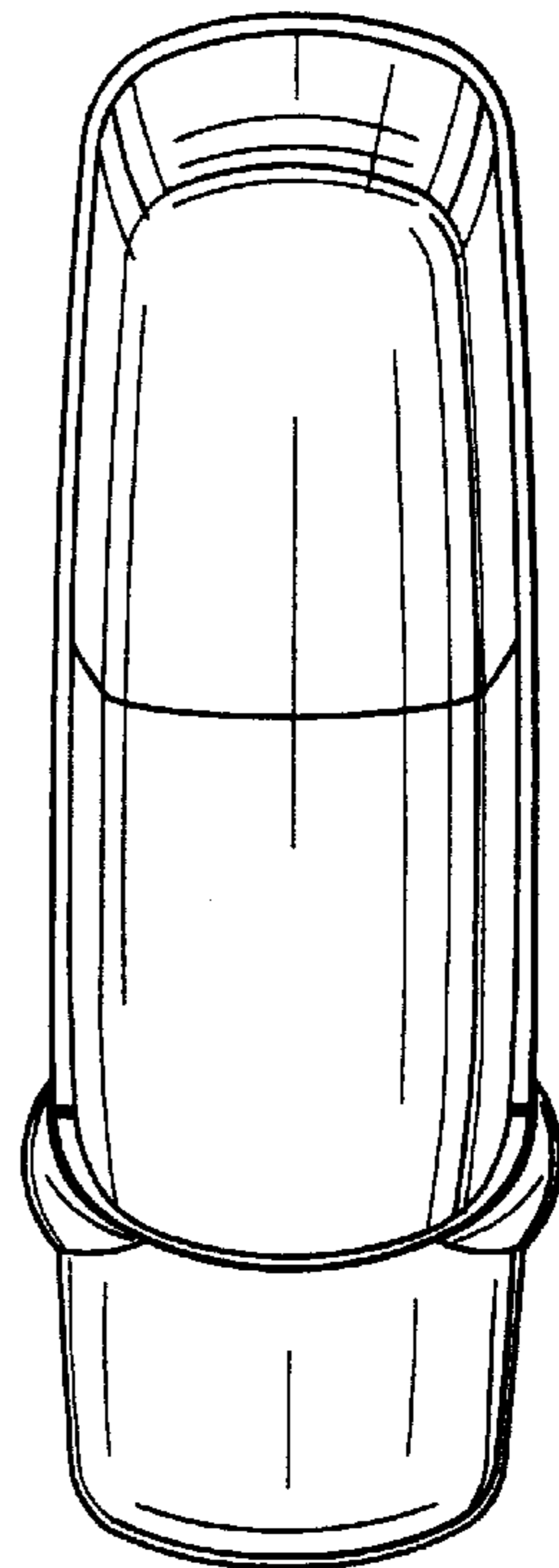
*Fig.3*



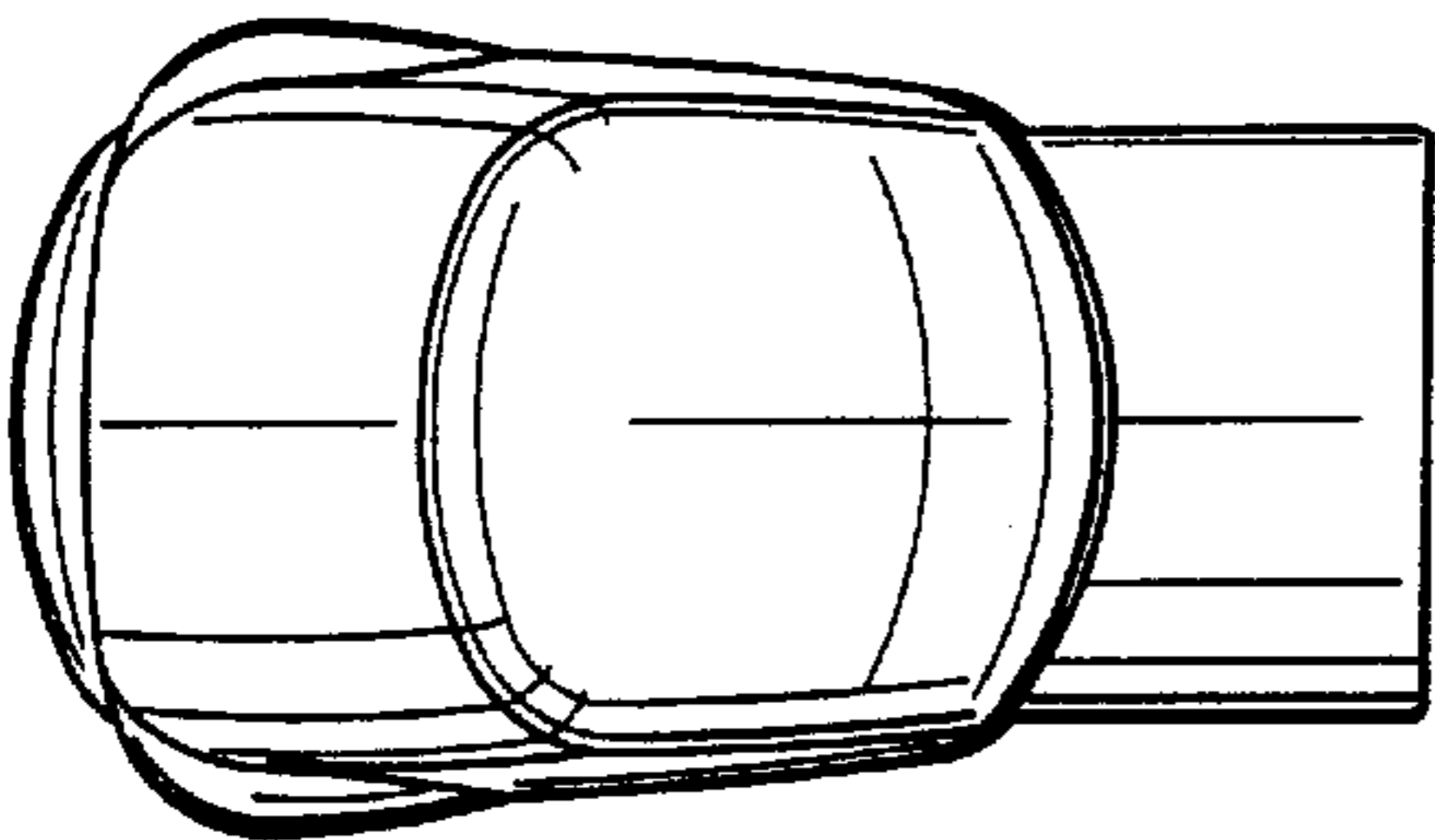
*Fig.4*



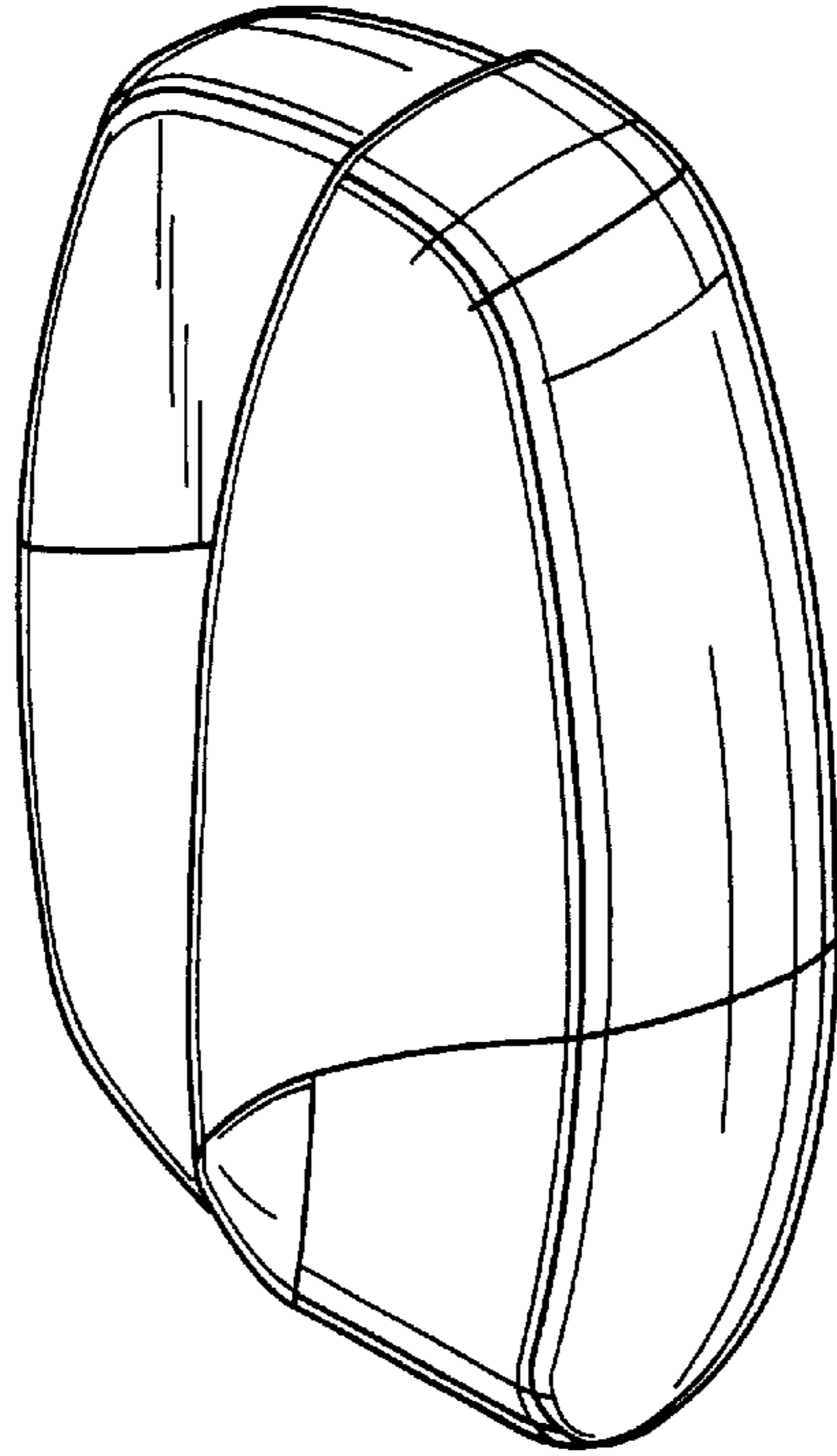
*Fig.5*



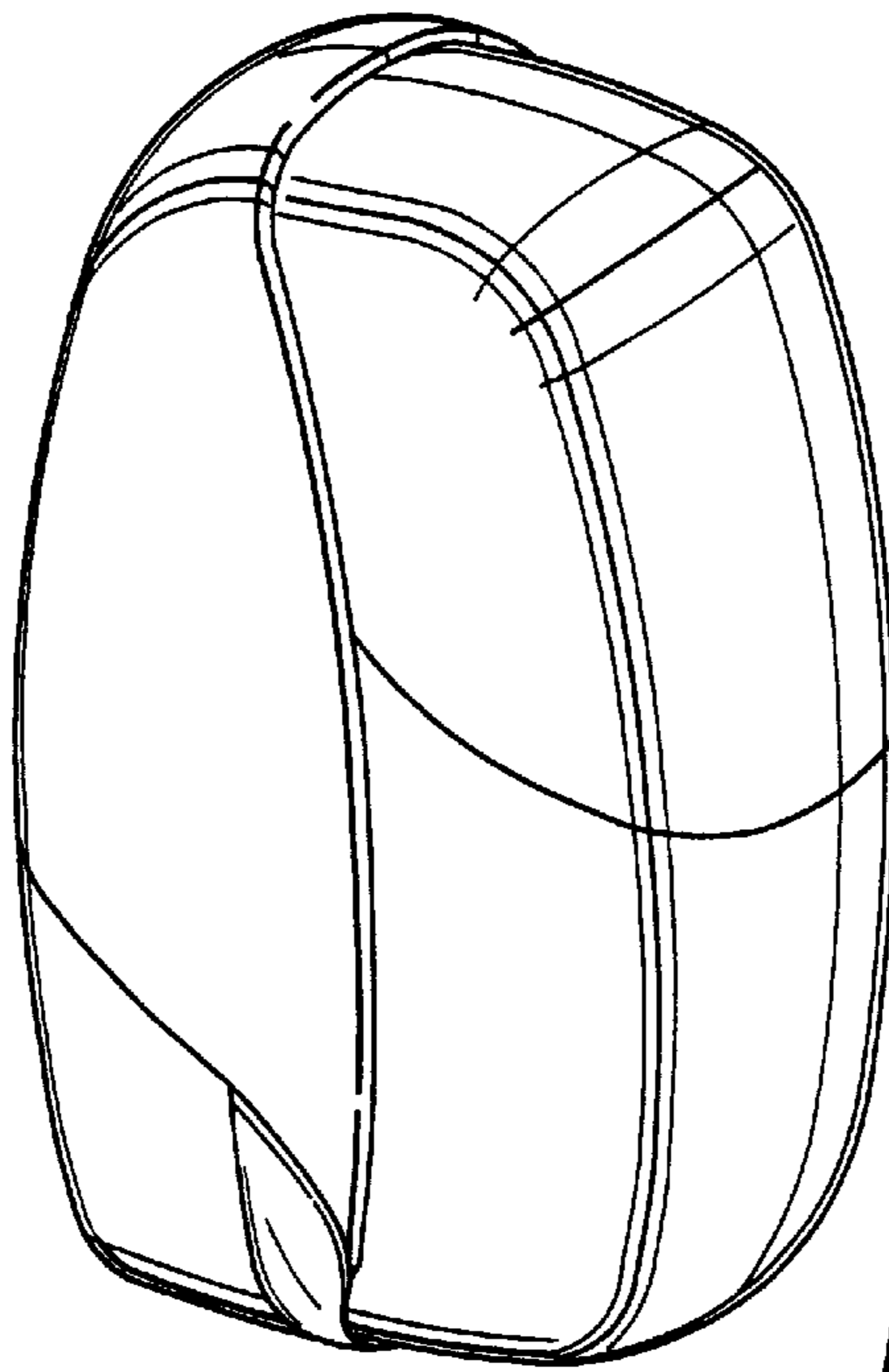
*Fig.7*



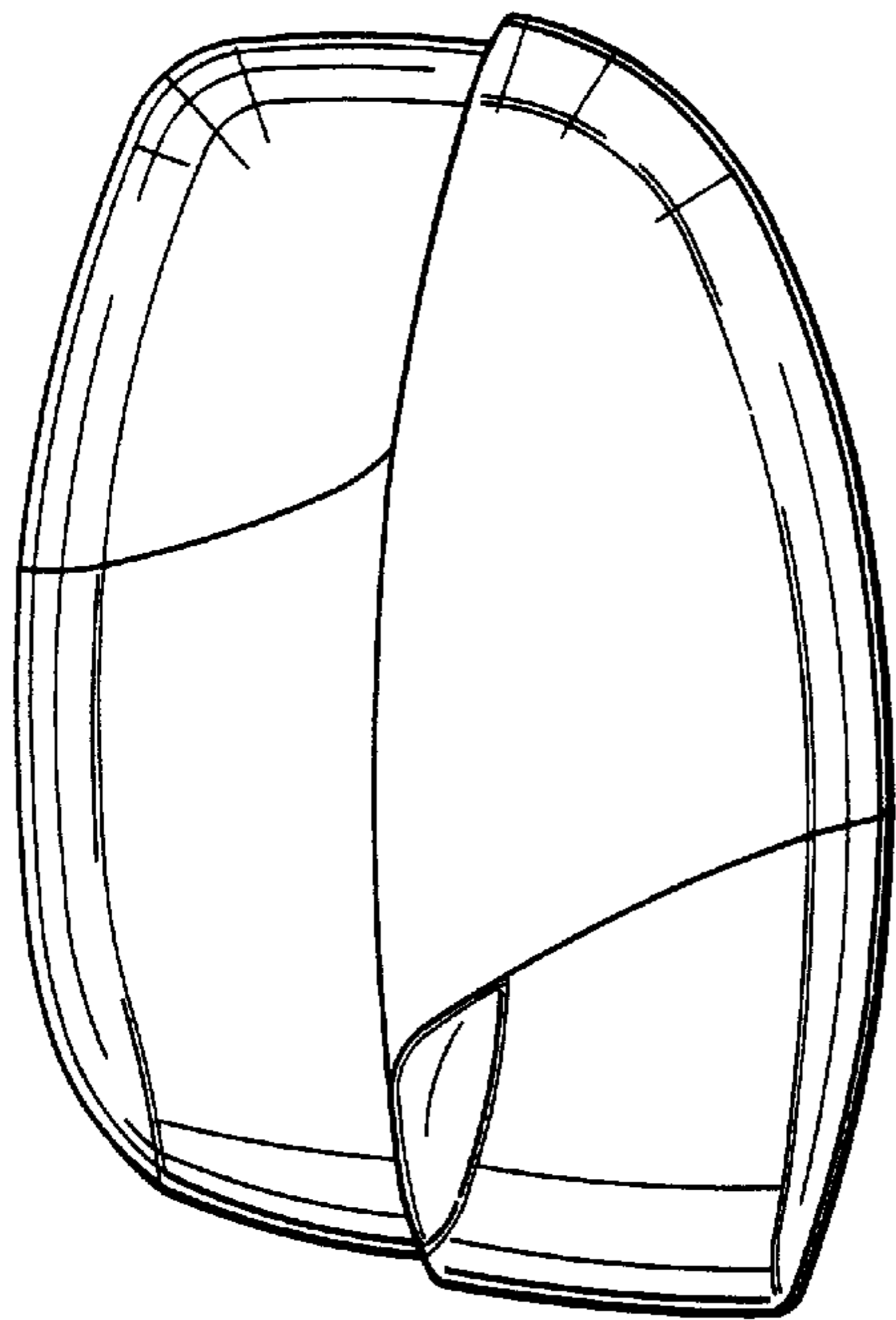
*Fig.6*



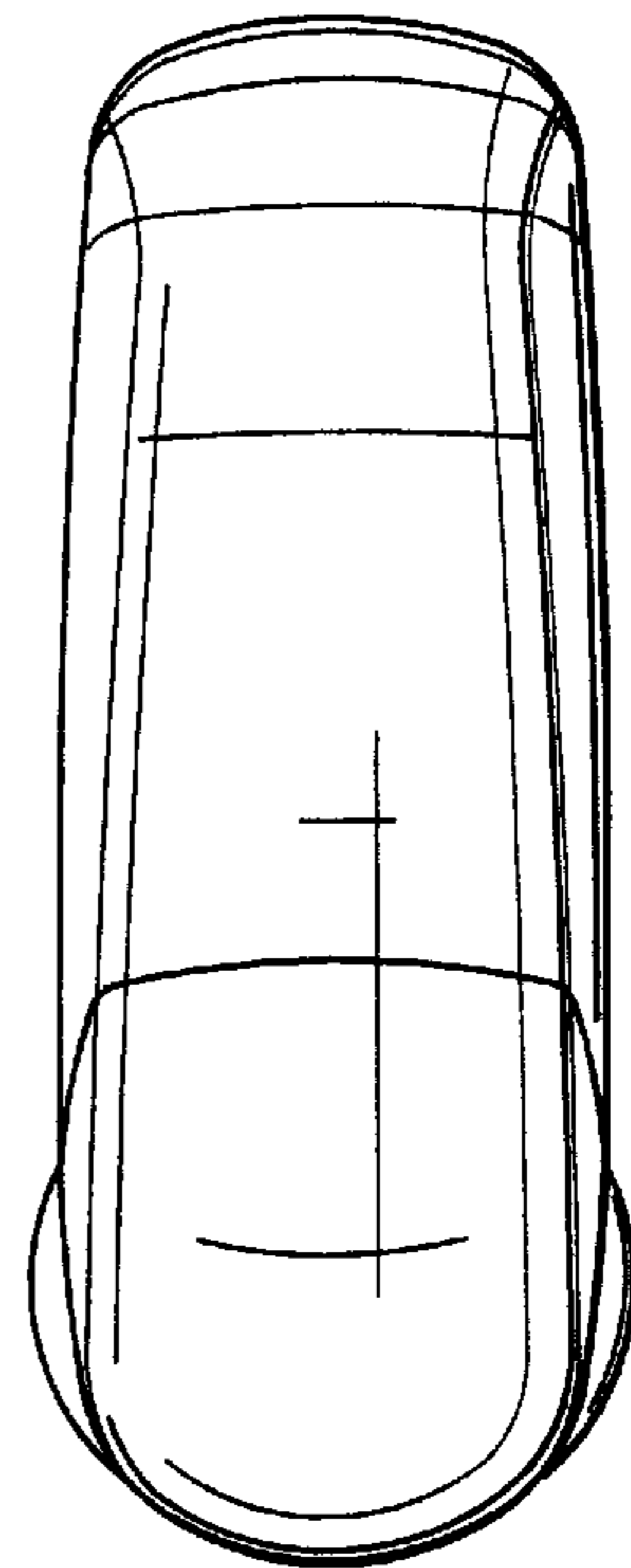
*Fig. 8*



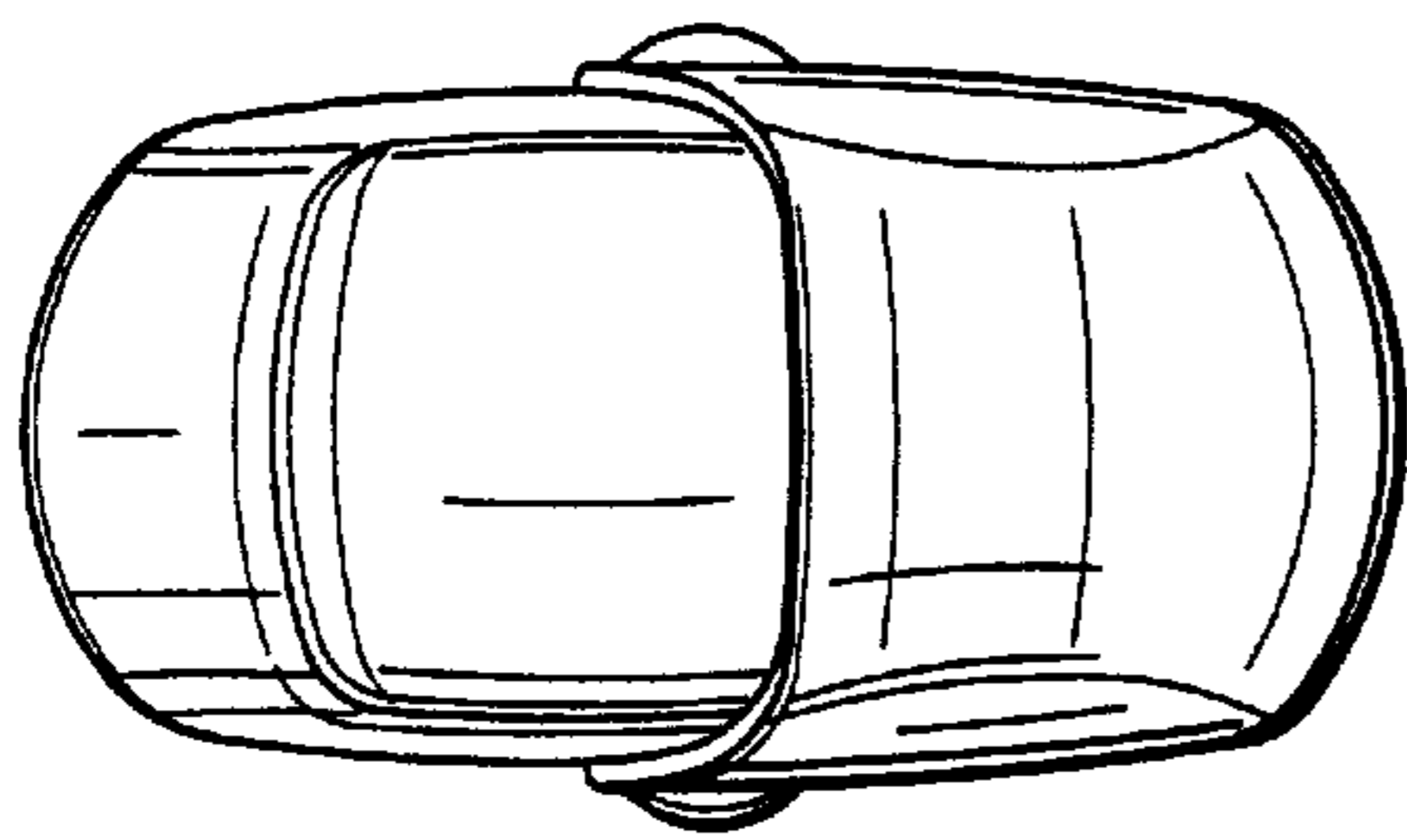
*Fig. 9*



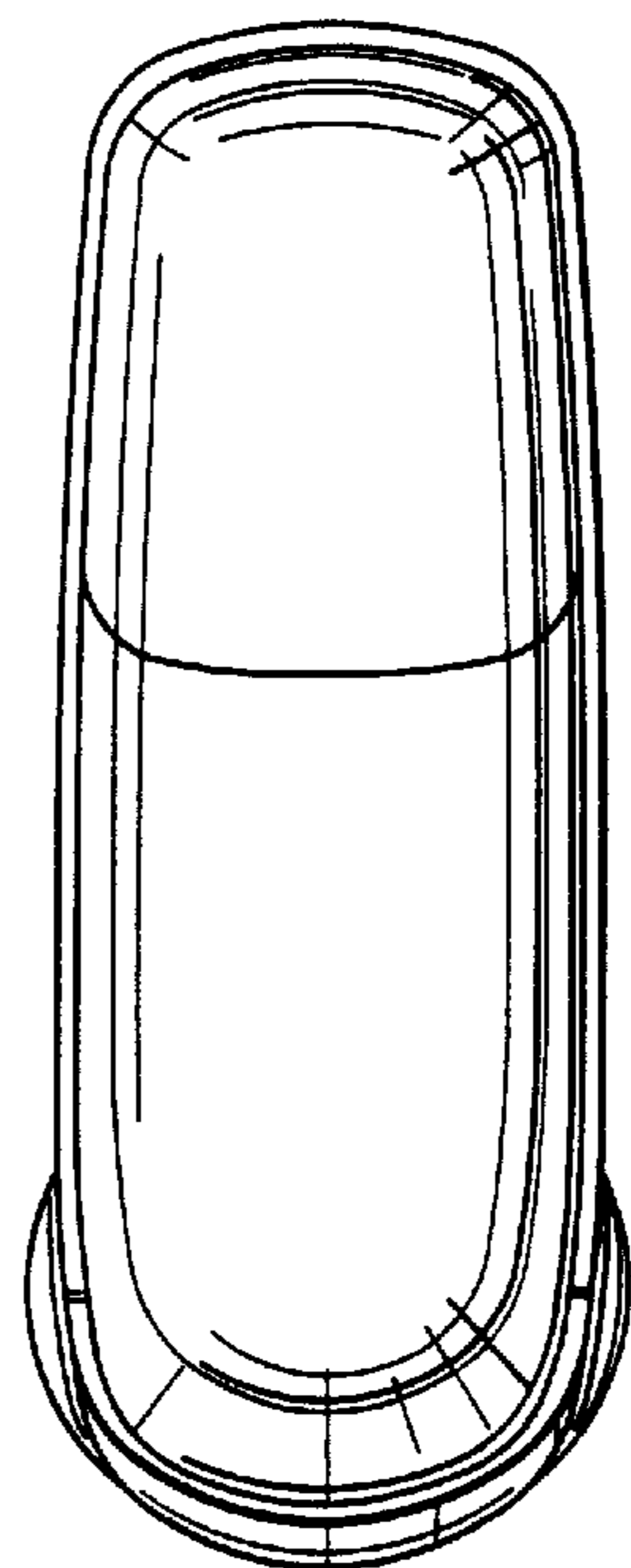
*Fig. 10*



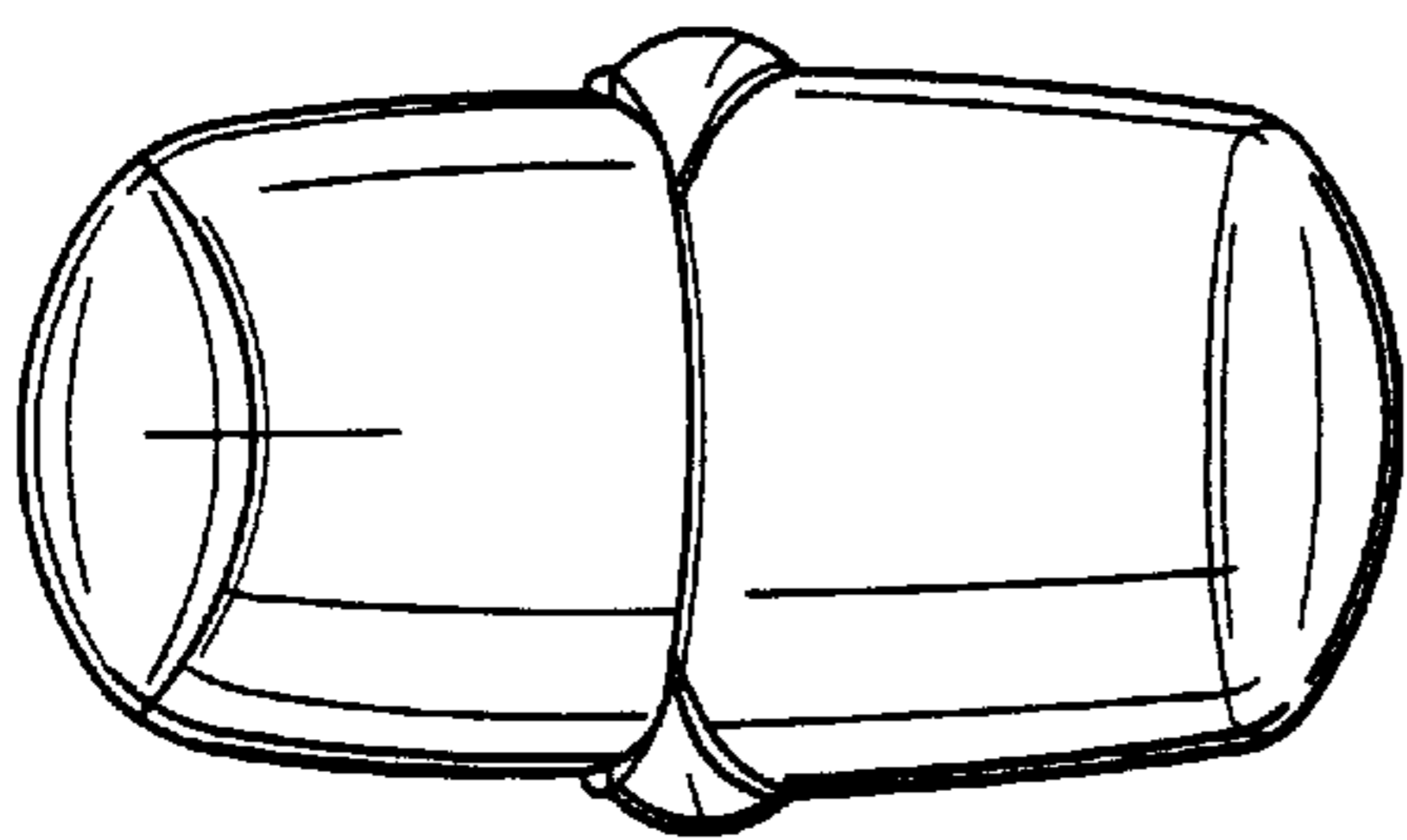
*Fig. 11*



*Fig. 12*



*Fig. 14*



*Fig. 13*