



US00D439654S

(12) **United States Design Patent**  
**Hite et al.**

(10) **Patent No.:** **US D439,654 S**

(45) **Date of Patent:** **\*\* Mar. 27, 2001**

(54) **TABLET**

D. 361,615 \* 8/1995 Tovey ..... D24/101

(75) Inventors: **William Crawford Hite**, Cincinnati, OH (US); **Nilesh H. Parikh**, Irvine, CA (US); **Masihuddin Ahmed Jaigirdar**, Middletown, OH (US)

\* cited by examiner

*Primary Examiner*—Antoine Duval Davis  
(74) *Attorney, Agent, or Firm*—Oblon, Spivak, McClelland, Maier & Neustadt, P.C.

(73) Assignee: **Watson Pharmaceuticals, Inc.**, Corona, CA (US)

(57) **CLAIM**

(\*\*) Term: **14 Years**

The ornamental design for a tablet, as shown and described.

(21) Appl. No.: **29/116,828**

(22) Filed: **Jan. 12, 2000**

(51) **LOC (7) Cl.** ..... **28-01**

(52) **U.S. Cl.** ..... **D24/101**

(58) **Field of Search** ..... D24/100-102;  
424/451, 457, 464, 468-70, 472, 474

**DESCRIPTION**

FIG. 1 is a top, front and right side perspective view of a tablet, showing our new design;

FIG. 2 is a top plan view thereof;

FIG. 3 is a front elevational view thereof;

FIG. 4 is a rear elevational view thereof;

FIG. 5 is a right side elevational view thereof, the left side elevational view being a mirror image of the side view shown; and,

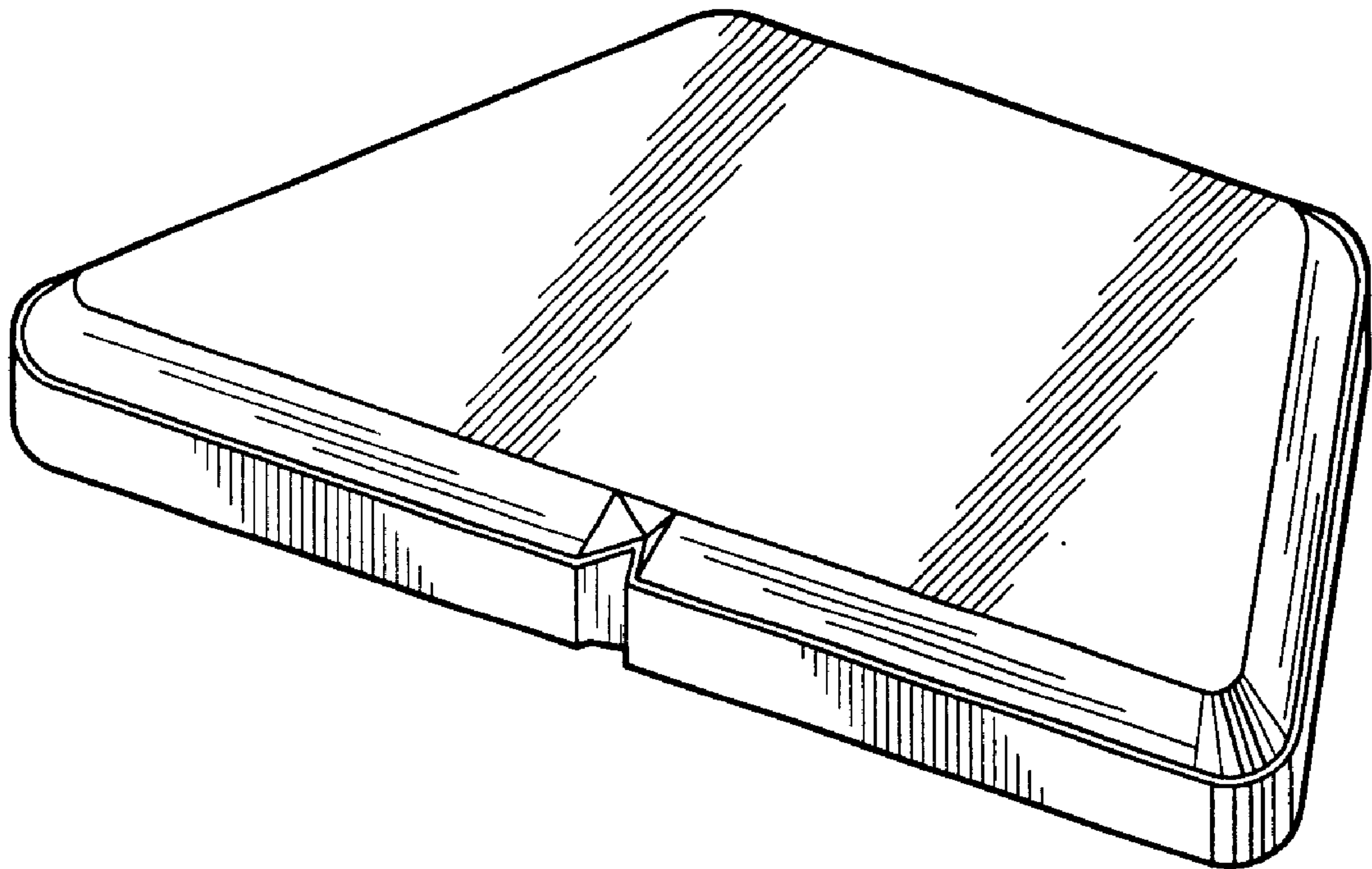
FIG. 6 is a bottom plan view thereof.

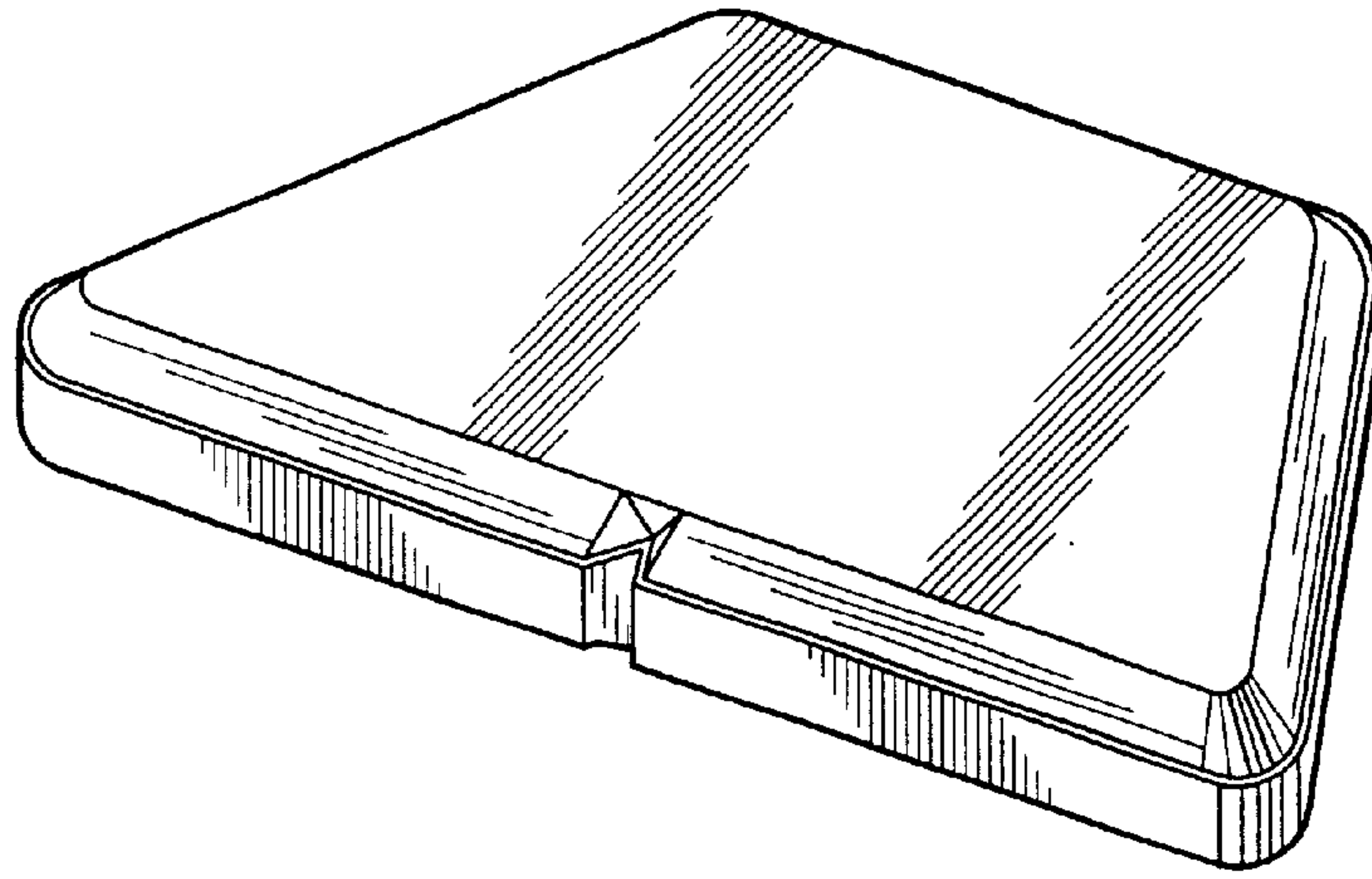
(56) **References Cited**

**U.S. PATENT DOCUMENTS**

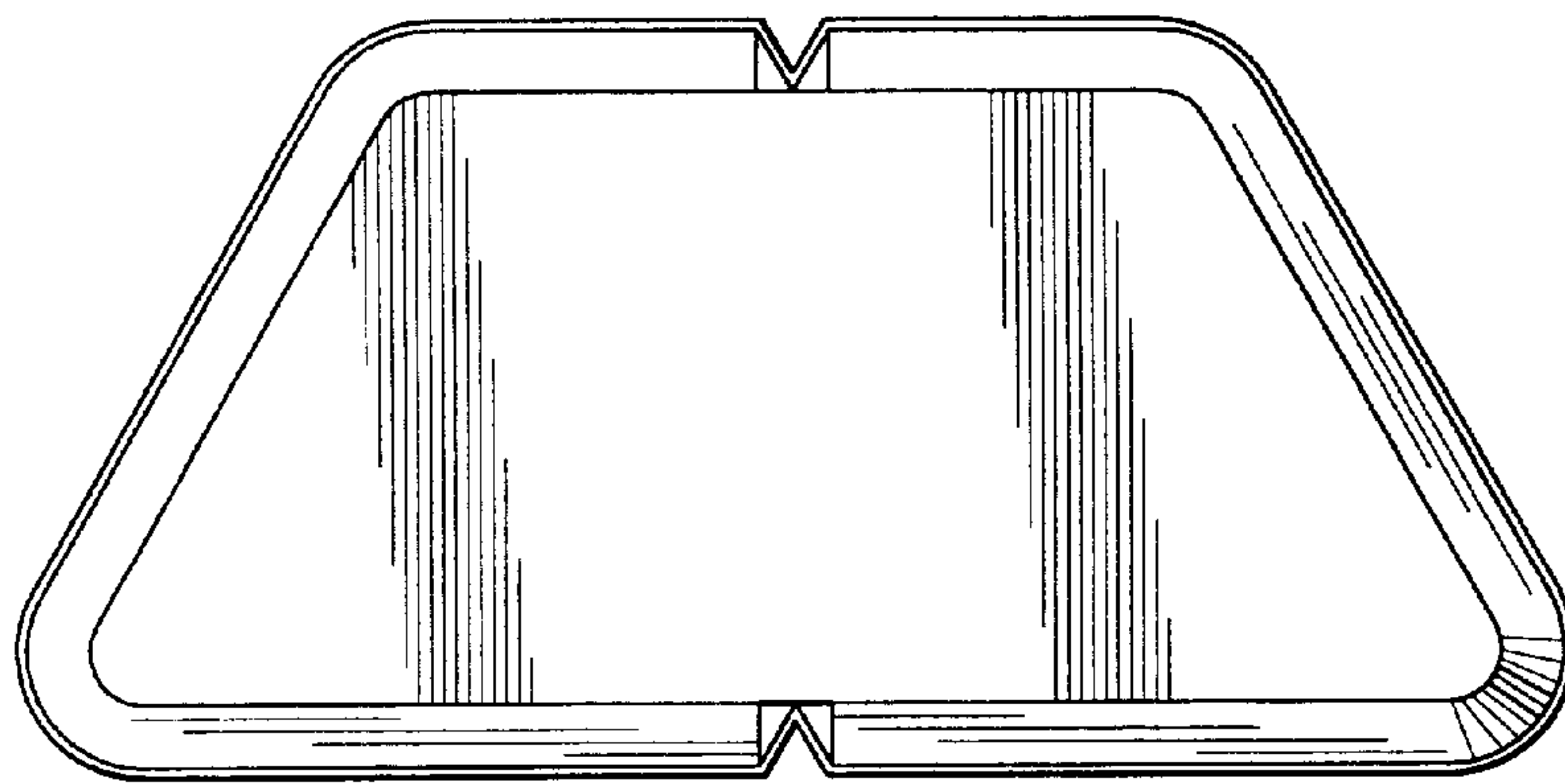
D. 354,806 \* 1/1995 Tovey ..... D24/101

**1 Claim, 2 Drawing Sheets**

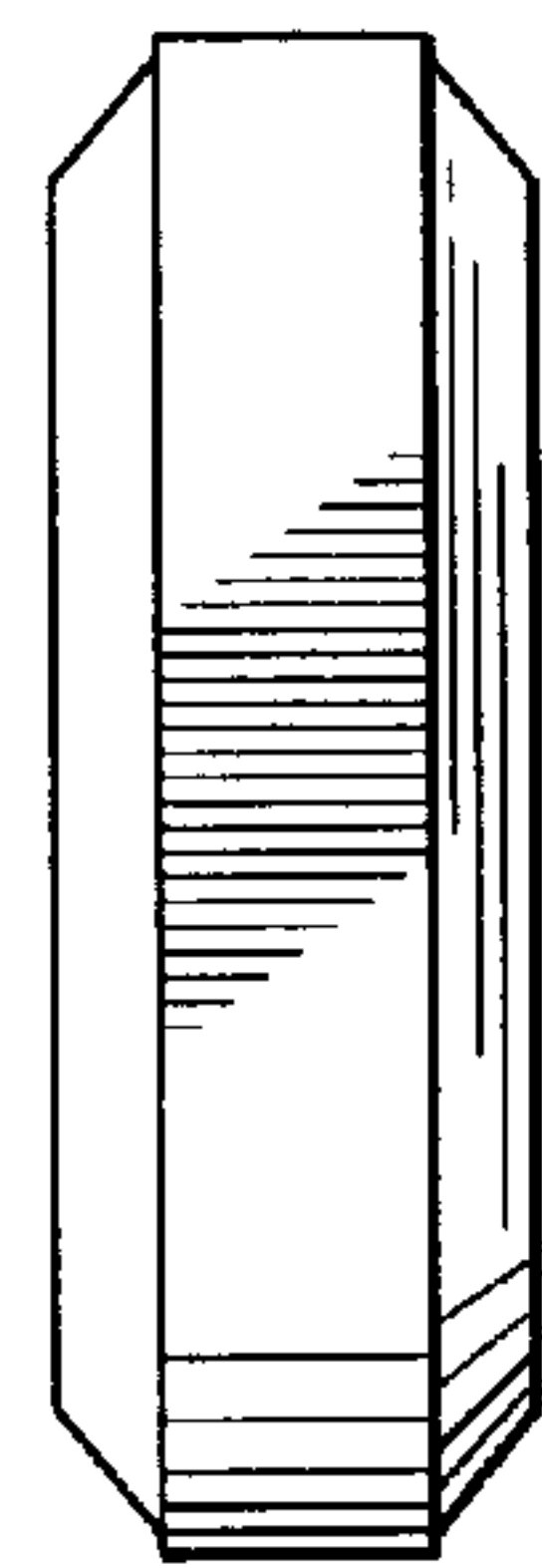




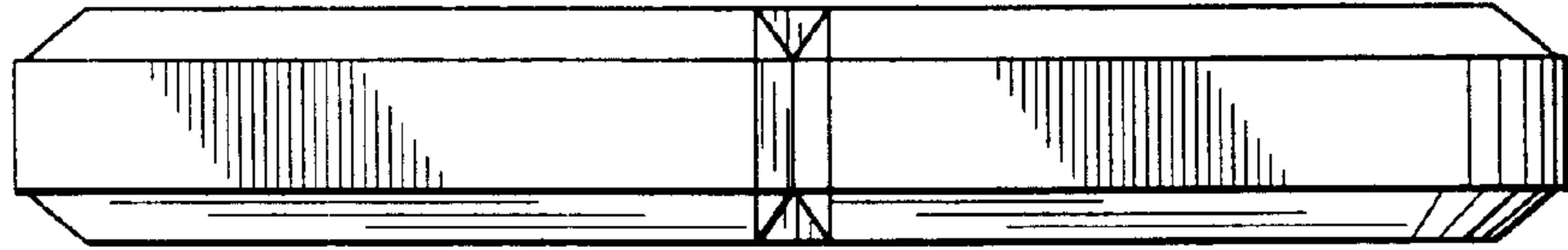
*FIG. 1*



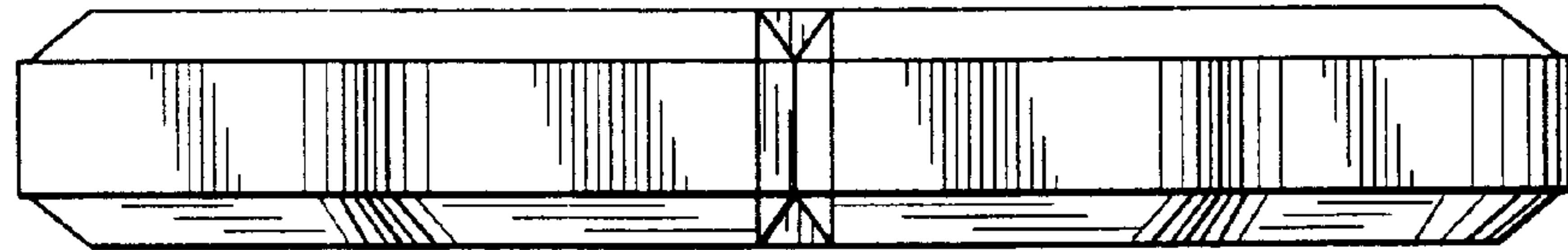
*FIG. 2*



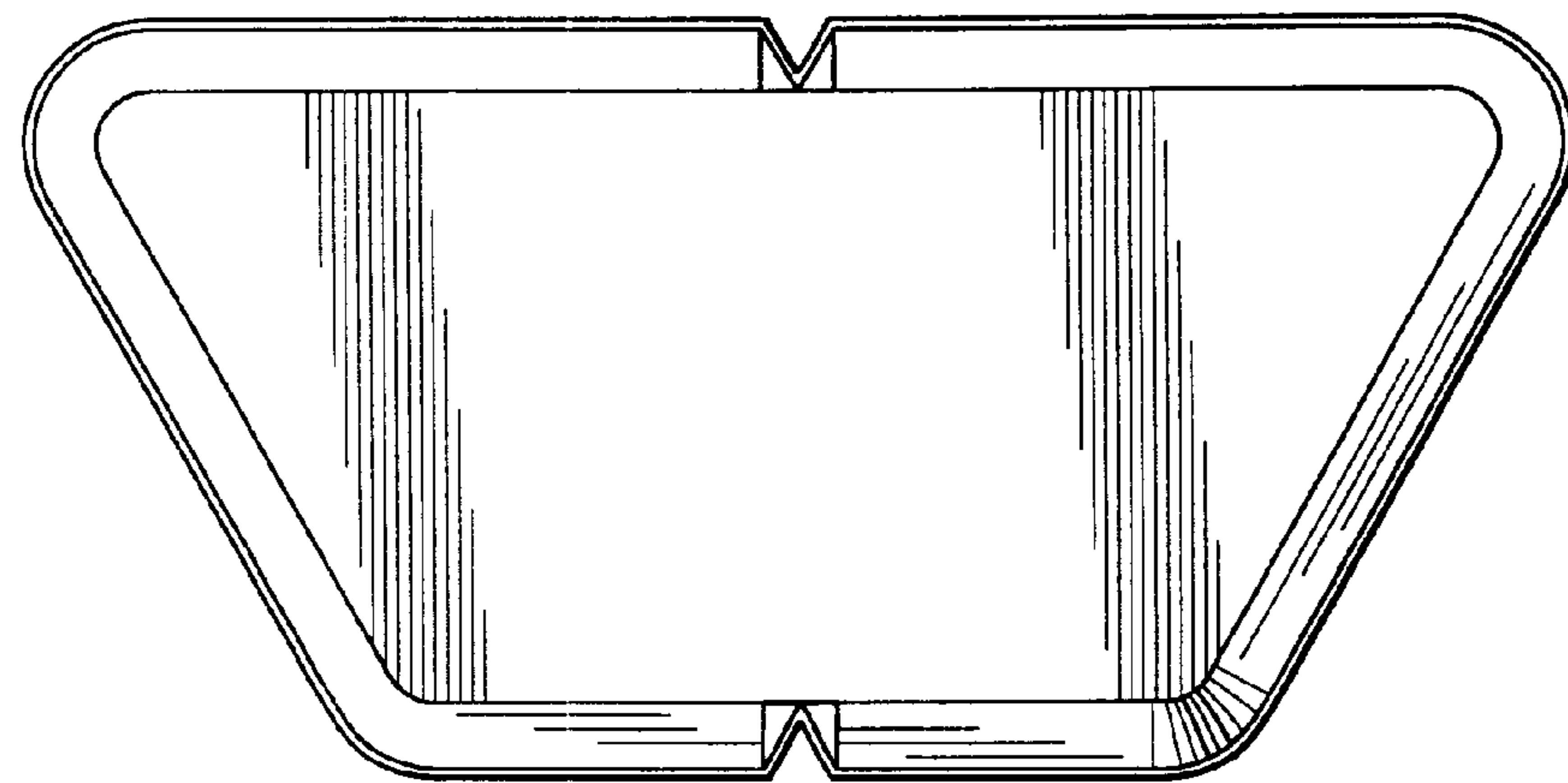
*FIG. 5*



*FIG. 3*



*FIG. 4*



*FIG. 6*