



US00D439651S

(12) **United States Design Patent**
Moroi et al.

(10) **Patent No.:** **US D439,651 S**

(45) **Date of Patent:** **** Mar. 27, 2001**

(54) **ROTOR FOR HEATER**

Apr. 18, 1997 (JP) 9-51799

(75) Inventors: **Takahiro Moroi; Takashi Ban;**
Hidefumi Mori; Tatsuya Hirose, all of
Kariya (JP)

(51) **LOC (7) Cl.** **23-99**

(52) **U.S. Cl.** **D23/386**

(58) **Field of Search** D23/386; 242/372

(73) Assignee: **Kabushiki Kaisha Toyoda Jidoshokki**
Seisakusho, Aichi-ken (JP)

(56) **References Cited**

U.S. PATENT DOCUMENTS

(**) Term: **14 Years**

5,553,802 * 9/1996 Park et al. 242/372

(21) Appl. No.: **29/107,375**

* cited by examiner

(22) Filed: **Jul. 1, 1999**

Primary Examiner—Mitchell Siegel

(74) *Attorney, Agent, or Firm*—Morgan & Finnegan, L.L.P.

Related U.S. Application Data

(62) Division of application No. 29/075,047, filed on Aug. 14,
1997, now Pat. No. Des. 420,122.

(57) **CLAIM**

The ornamental design for a rotor for heater, as shown and
described.

(30) **Foreign Application Priority Data**

DESCRIPTION

Feb. 28, 1997	(JP)	9-6041
Feb. 28, 1997	(JP)	9-6042
Feb. 28, 1997	(JP)	9-6043
Feb. 28, 1997	(JP)	9-6044
Feb. 28, 1997	(JP)	9-6045
Feb. 28, 1997	(JP)	9-6046
Feb. 28, 1997	(JP)	9-6047
Feb. 28, 1997	(JP)	9-6048
Feb. 28, 1997	(JP)	9-6049
Feb. 28, 1997	(JP)	9-6050
Feb. 28, 1997	(JP)	9-6051
Feb. 28, 1997	(JP)	9-6052
Feb. 28, 1997	(JP)	9-6053
Feb. 28, 1997	(JP)	9-6054
Feb. 28, 1997	(JP)	9-6055
Feb. 28, 1997	(JP)	9-6056
Feb. 28, 1997	(JP)	9-6057
Feb. 28, 1997	(JP)	9-6058
Feb. 28, 1997	(JP)	9-6059
Feb. 28, 1997	(JP)	9-6060

FIG. 1 is a perspective view of a rotor for heater;
 FIG. 2 is a front elevational view thereof;
 FIG. 3 is a rear elevational view thereof;
 FIG. 4 is a top plan view thereof;
 FIG. 5 is a bottom plan view thereof;
 FIG. 6 is a left side elevational view thereof; and,
 FIG. 7 is a right side elevational view thereof;
 FIG. 8 is a perspective view of a second embodiment of the
 rotor for heater;
 FIG. 9 is a front elevational view thereof;
 FIG. 10 is a rear elevational view thereof;
 FIG. 11 is a top plan view thereof;
 FIG. 12 is a bottom plan view thereof;
 FIG. 13 is a left side elevational view thereof; and,
 FIG. 14 is a right side elevational view thereof.

1 Claim, 6 Drawing Sheets

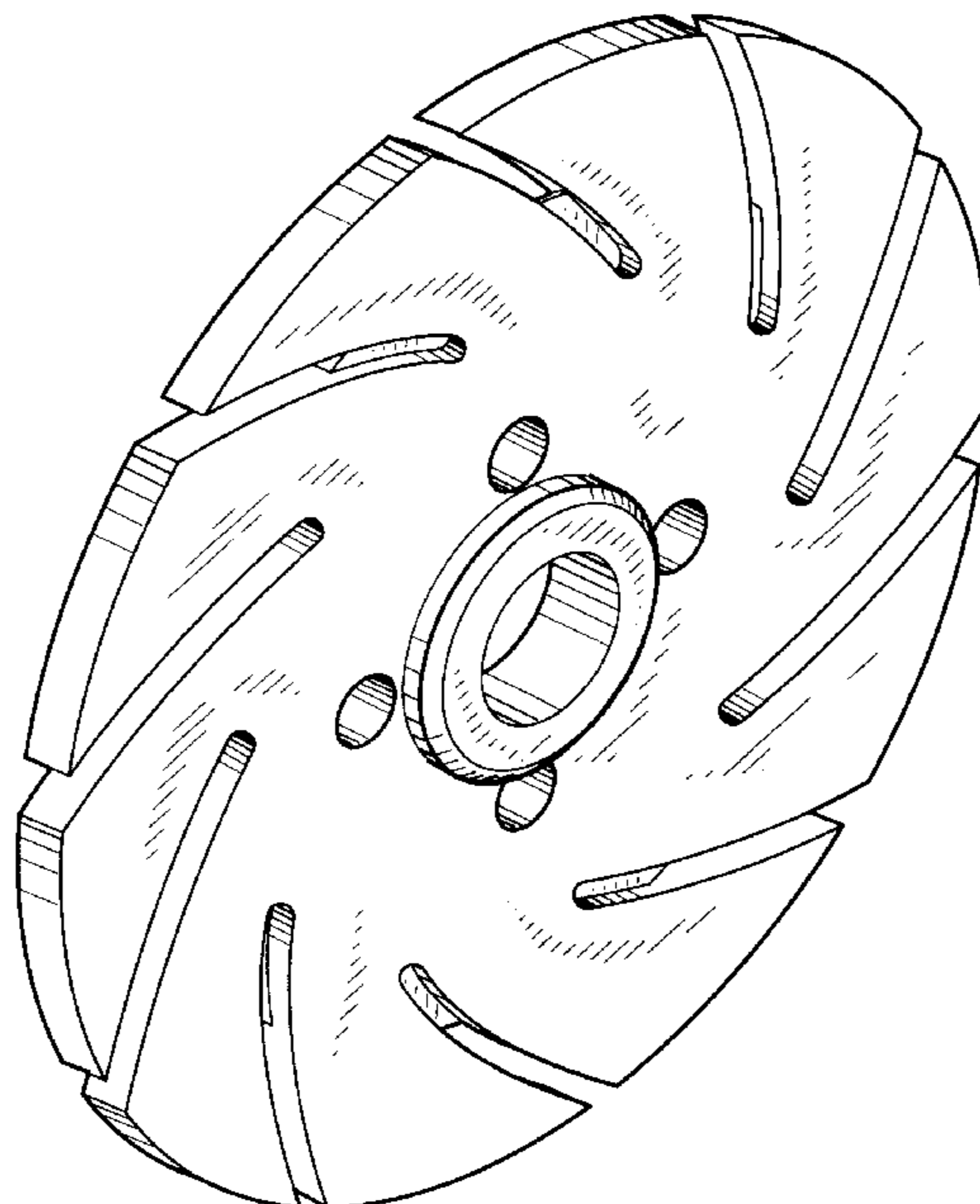


FIG. 1

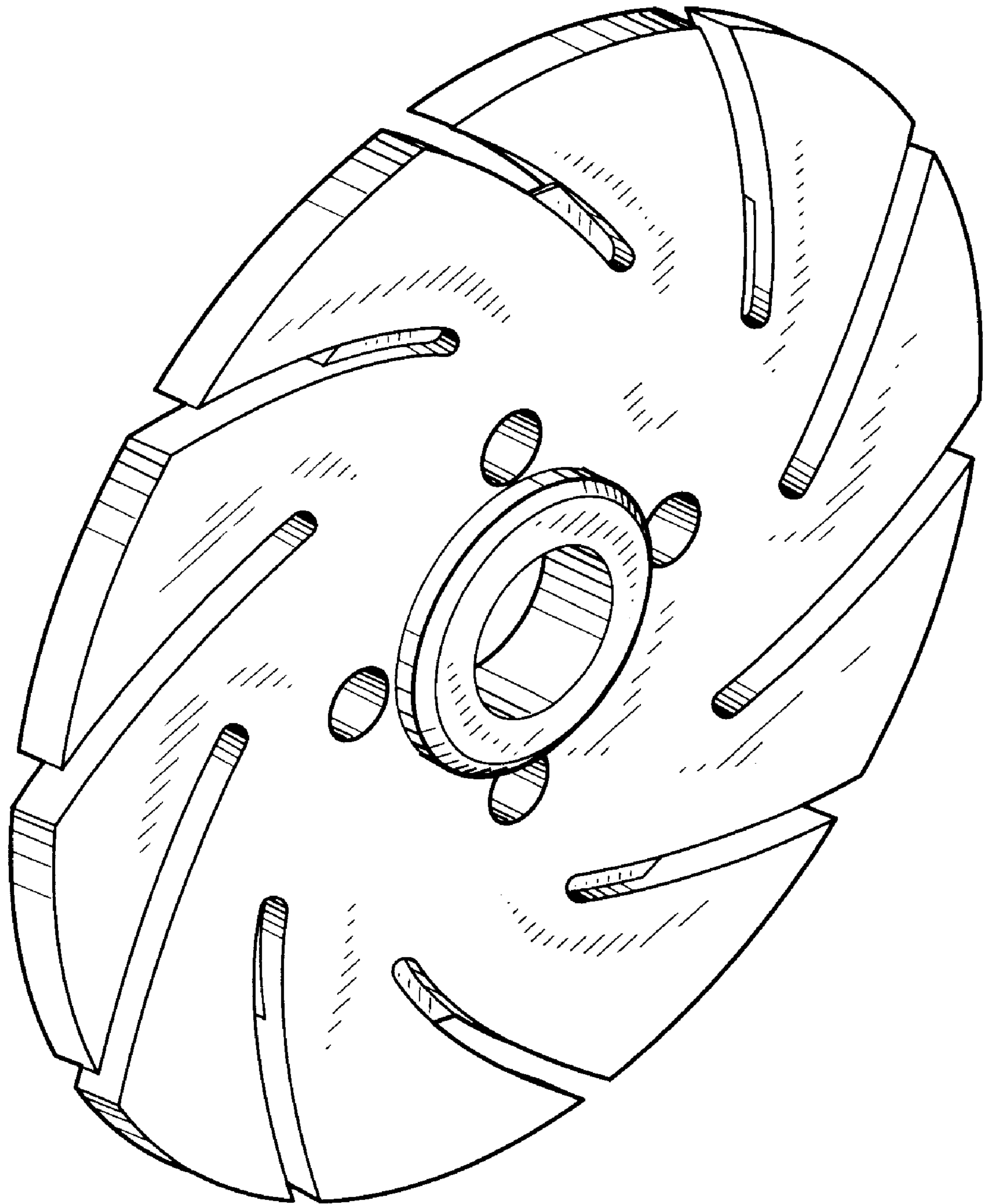


FIG. 2

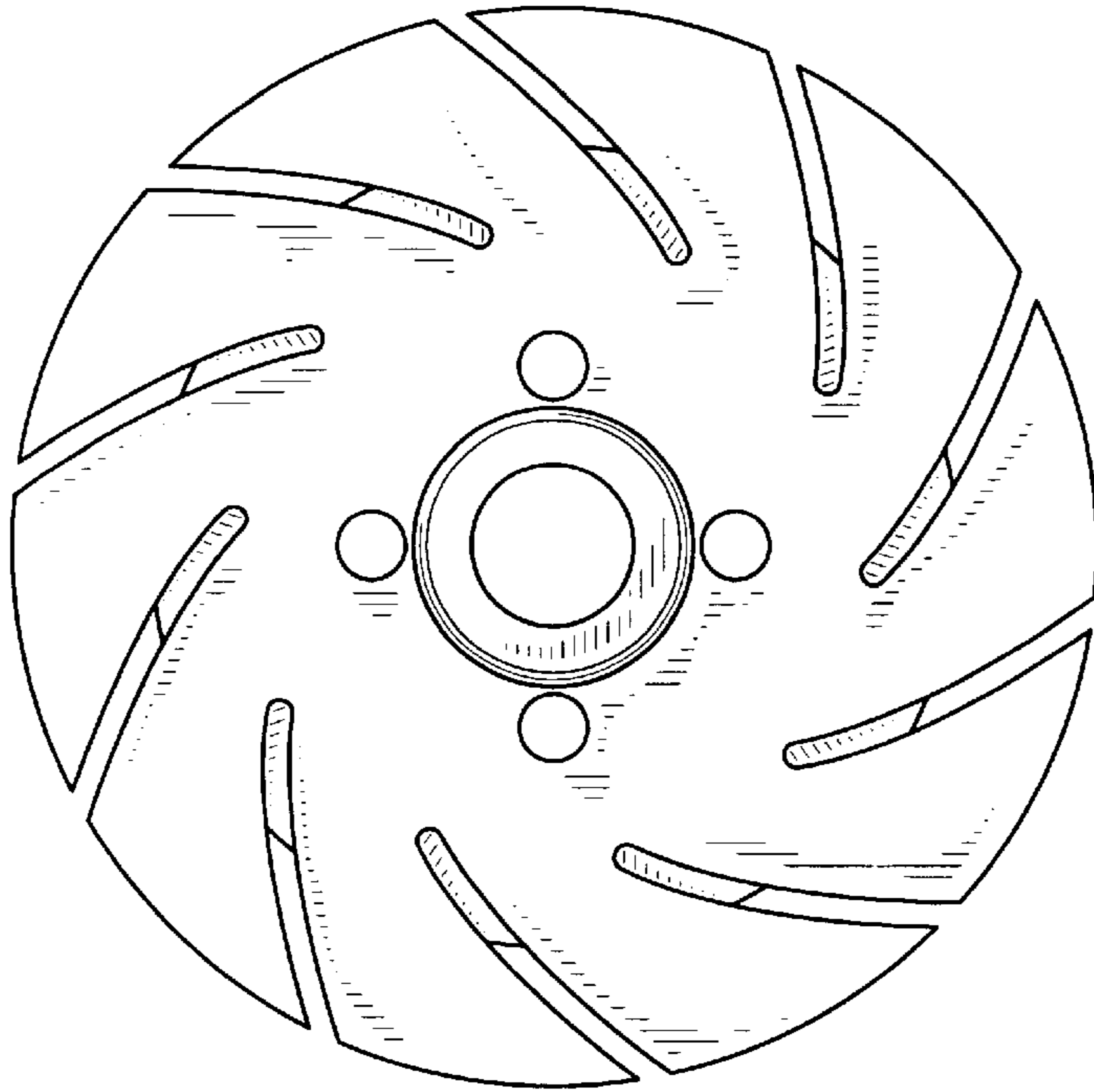


FIG. 3

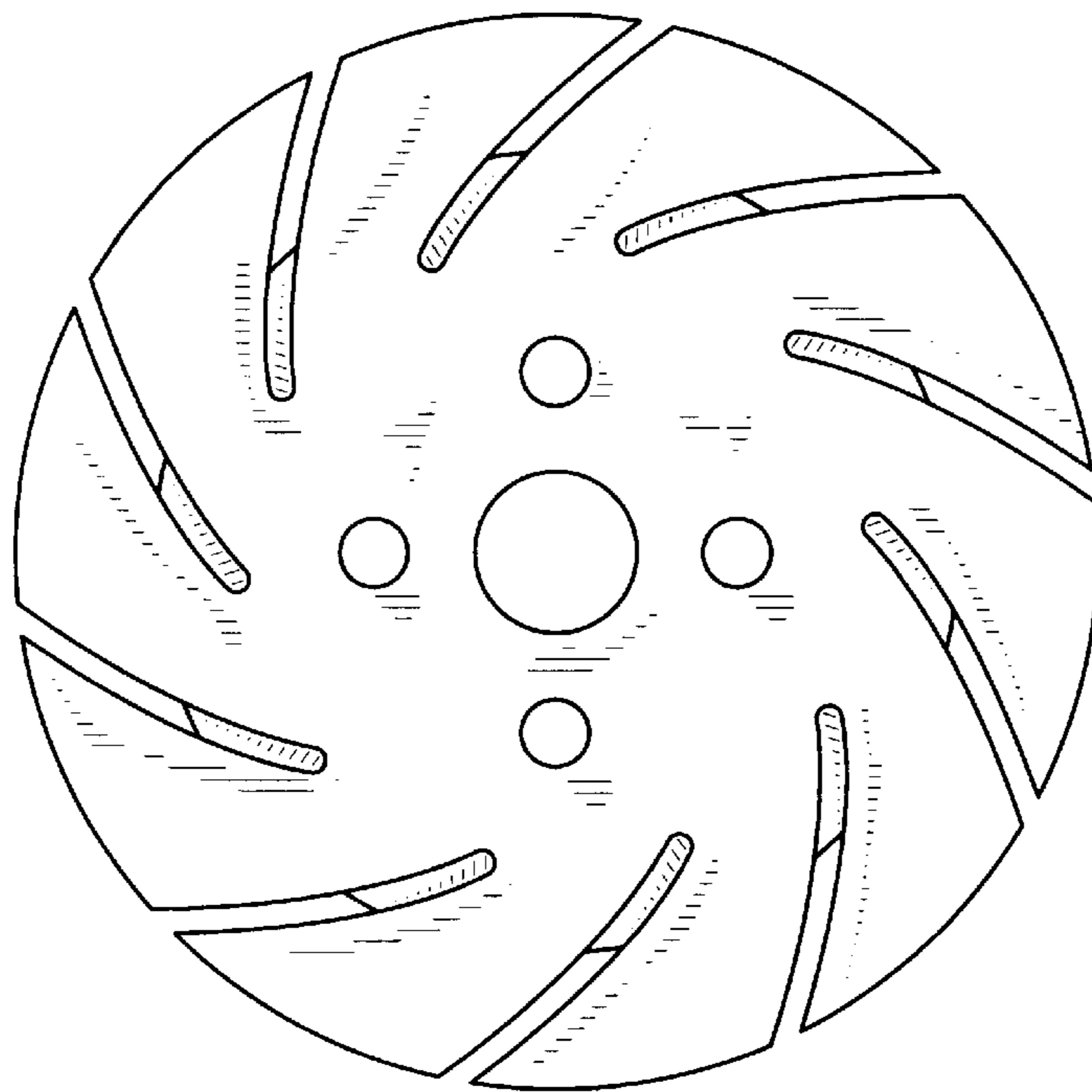


FIG. 4



FIG. 5



FIG. 6

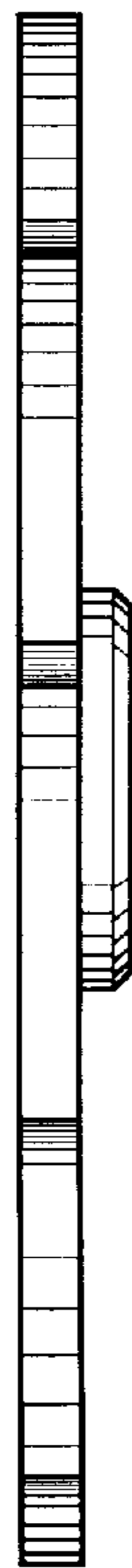


FIG. 7



FIG. 8

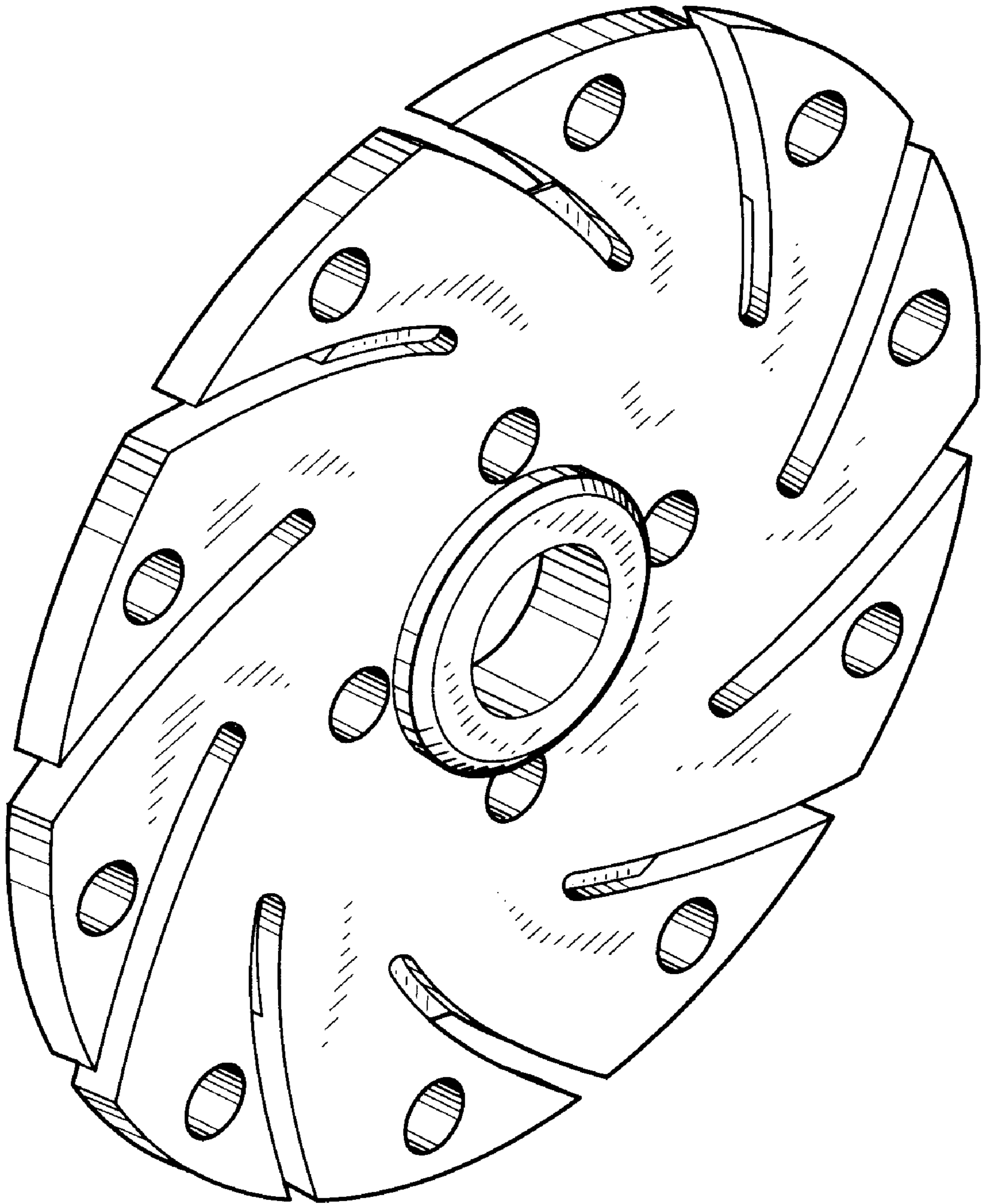


FIG. 9

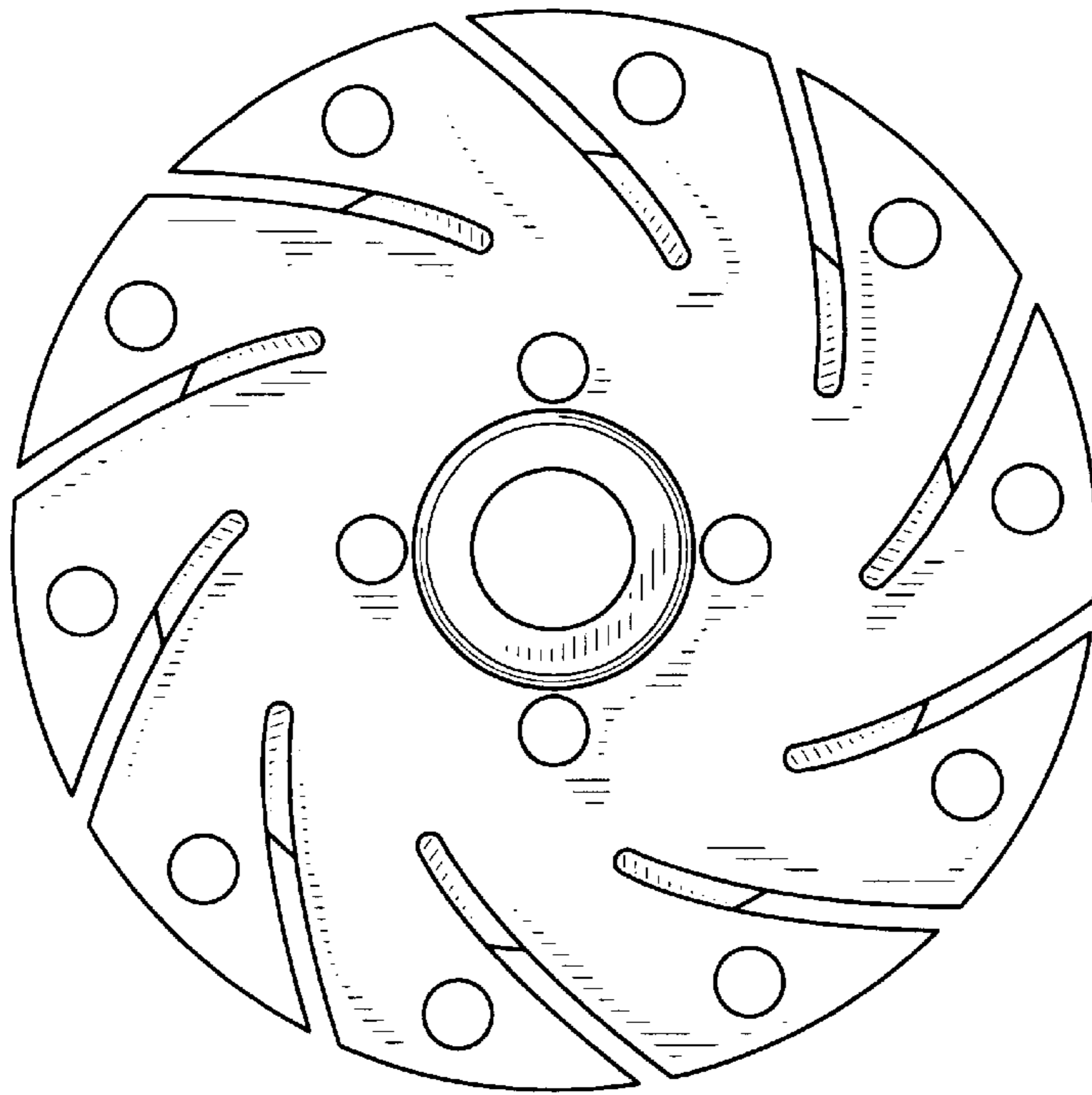


FIG. 10

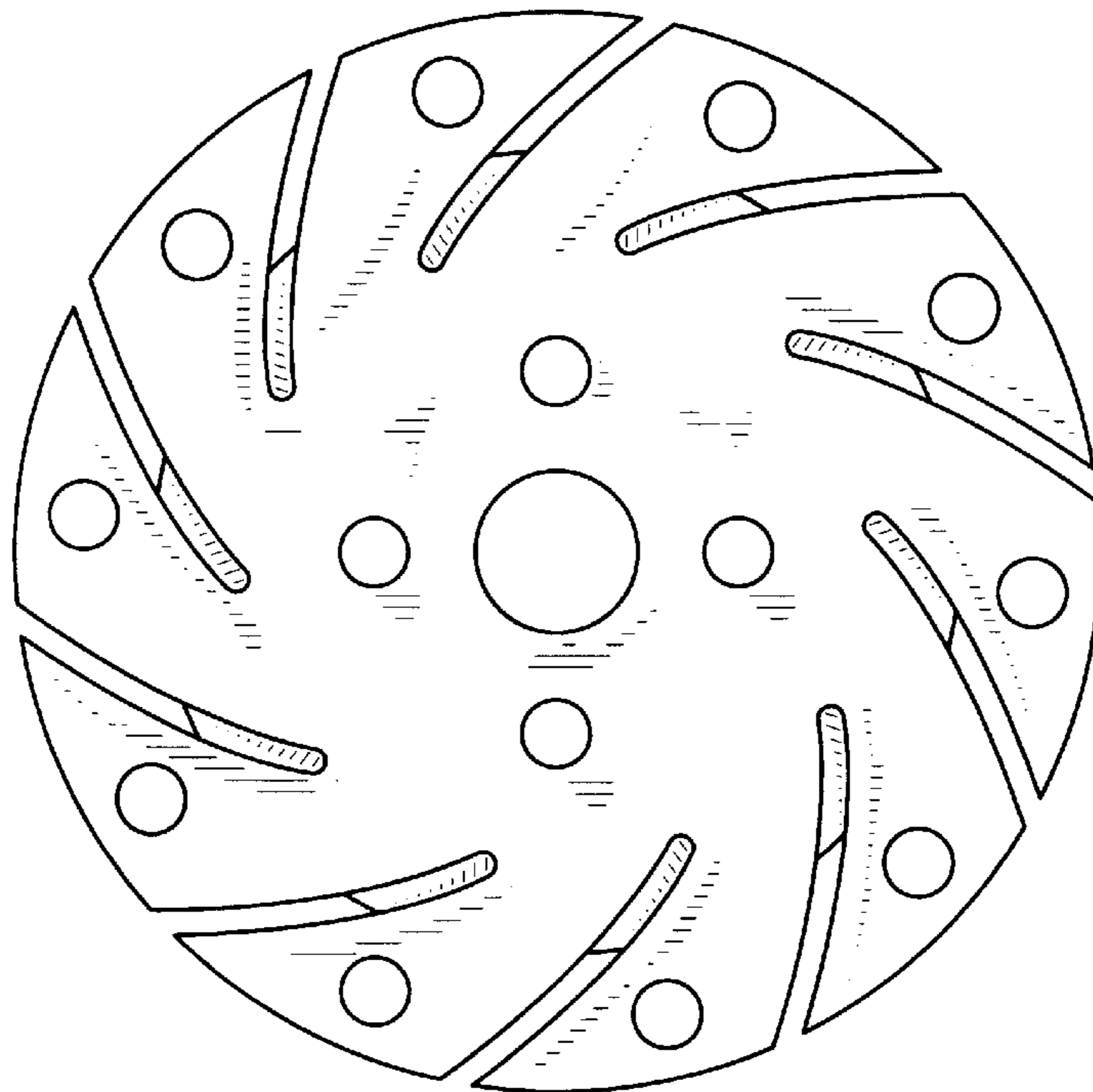


FIG. 11



FIG. 12



FIG. 13

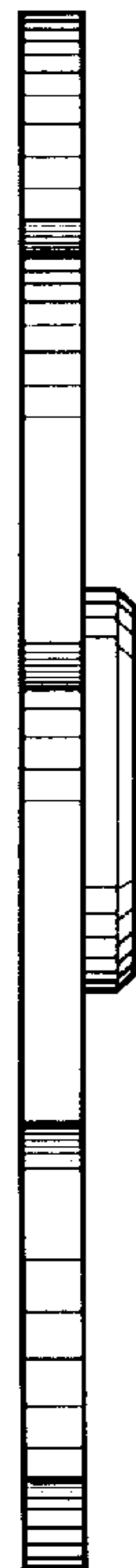
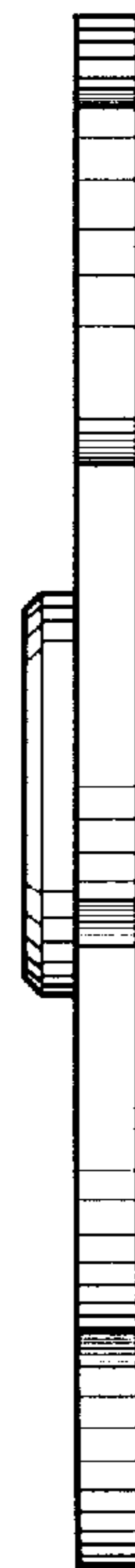


FIG. 14



UNITED STATES PATENT AND TRADEMARK OFFICE
CERTIFICATE OF CORRECTION

PATENT NO. : Des 439,651 S
DATED : March 27, 2001
INVENTOR(S) : Takahiro Moroi, Takashi Ban, Hidefumi Mori and Tatsuya Hirose

Page 1 of 1

It is certified that error appears in the above-identified patent and that said Letters Patent is hereby corrected as shown below:

Title page,

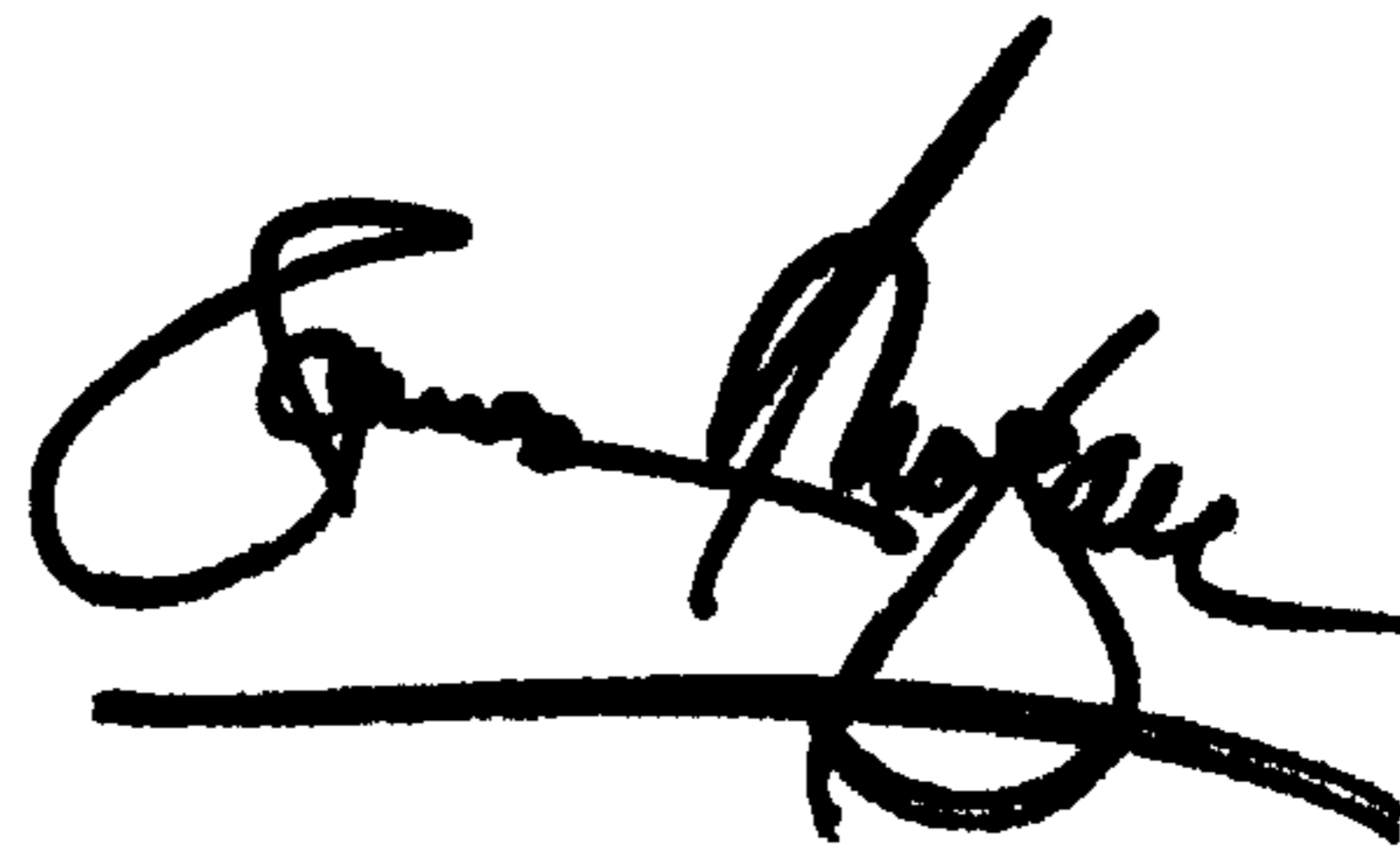
Item [30], **Foreign Applicaton Priority Data**, please change:

"9-51799" to -- 9-51899 --.

Signed and Sealed this

Eleventh Day of June, 2002

Attest:

A handwritten signature in black ink, appearing to read "James E. Rogan", written over a horizontal line.

Attesting Officer

JAMES E. ROGAN
Director of the United States Patent and Trademark Office