



US00D439650S

(12) **United States Design Patent**
Wellnitz et al.

(10) **Patent No.:** **US D439,650 S**
(45) **Date of Patent:** **** Mar. 27, 2001**

(54) **RANGE HOOD**

(75) Inventors: **Brian R. Wellnitz**, Grafton; **Charles Wade Albritton**, Germantown, both of WI (US)

(73) Assignee: **Broan-Nutone LLC**, Hartford, WI (US)

(**) Term: **14 Years**

(21) Appl. No.: **29/121,398**

(22) Filed: **Apr. 6, 2000**

(51) **LOC (7) Cl.** **23-04**

(52) **U.S. Cl.** **23/372**

(58) **Field of Search** 454/67; D23/372;
126/299 R, 299 D

(56) **References Cited**

U.S. PATENT DOCUMENTS

D. 379,501 * 5/1997 Airosa et al. .

* cited by examiner

Primary Examiner—Lisa Lichtenstein

(74) *Attorney, Agent, or Firm*—Michael Best & Friedrich LLP

(57) **CLAIM**

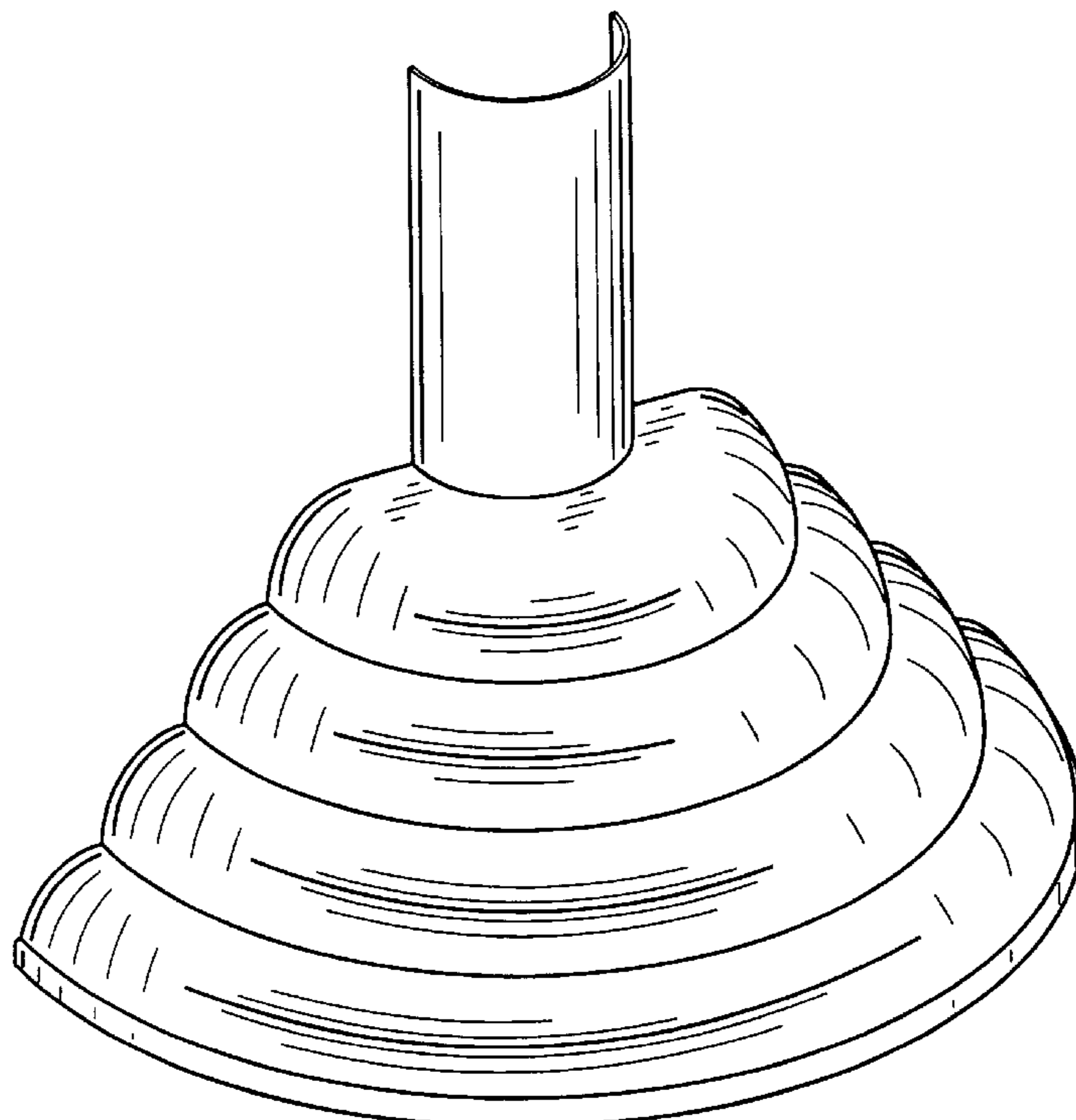
The ornamental design of a range hood, as shown and described.

DESCRIPTION

FIG. 1 is a perspective view of a range hood embodying the present invention;

FIG. 2 is a right side view of the range hood, with the opposite side being a mirror image;
FIG. 3 is a top view of the range hood;
FIG. 4 is a bottom view of the range hood;
FIG. 5 is a front view of the range hood;
FIG. 6 is a back view of the range hood;
FIG. 7 is a perspective view illustrating a second embodiment of the range hood embodying the present invention;
FIG. 8 is a right side view of the second embodiment of the invention, with the opposite side being a mirror image;
FIG. 9 is a top view the second embodiment of the invention;
FIG. 10 is a bottom view the second embodiment of the invention;
FIG. 11 is a front view of the second embodiment of the range hood;
FIG. 12 is a back view of the second embodiment of the range hood;
FIG. 13 is a perspective view of a third embodiment of a range hood embodying the present invention;
FIG. 14 is a right side view of a third embodiment of the range hood, with the opposite side being a mirror image;
FIG. 15 is a top view of a third embodiment of the range hood;
FIG. 16 is a bottom view of a third embodiment of the range hood;
FIG. 17 is a front view of the third embodiment range hood; and,
FIG. 18 is a back view of the third embodiment range hood. The broken lines in the Figures are shown for illustrative purposes only and form no part of the claimed design. The sole difference between the three embodiments resides in the more squared off sides of embodiments 2 and 3.

1 Claim, 9 Drawing Sheets



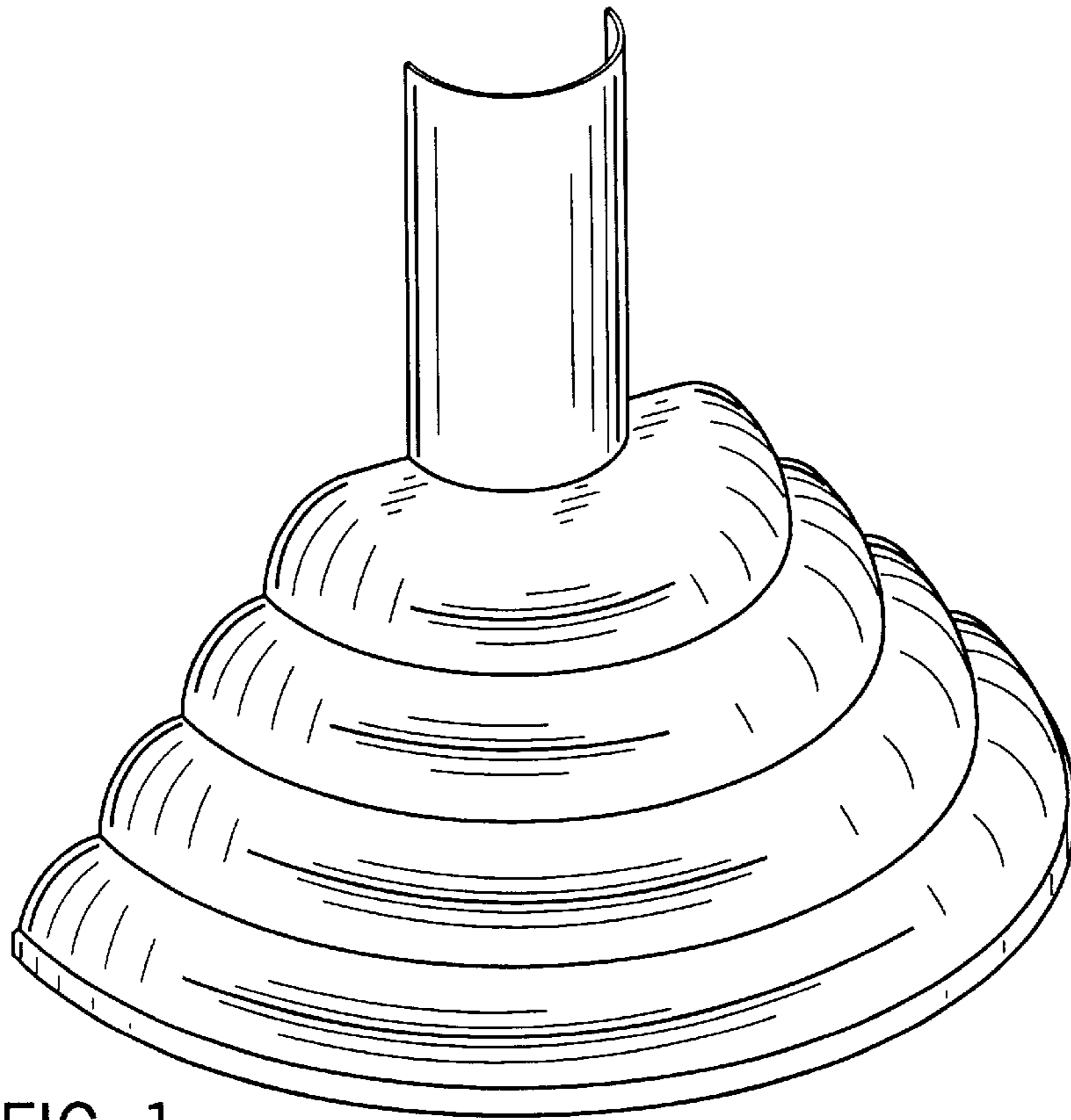


FIG. 1

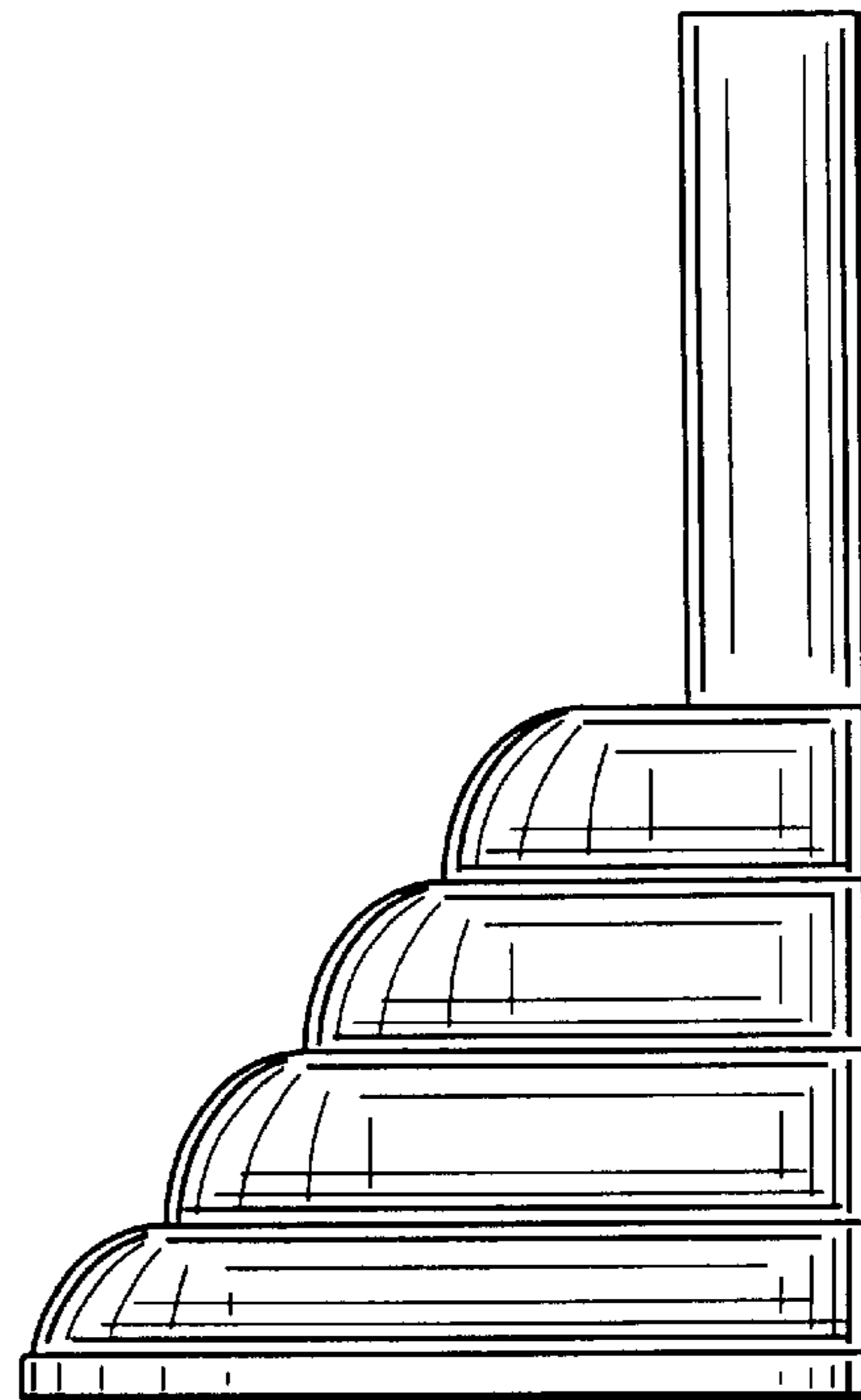


FIG. 2

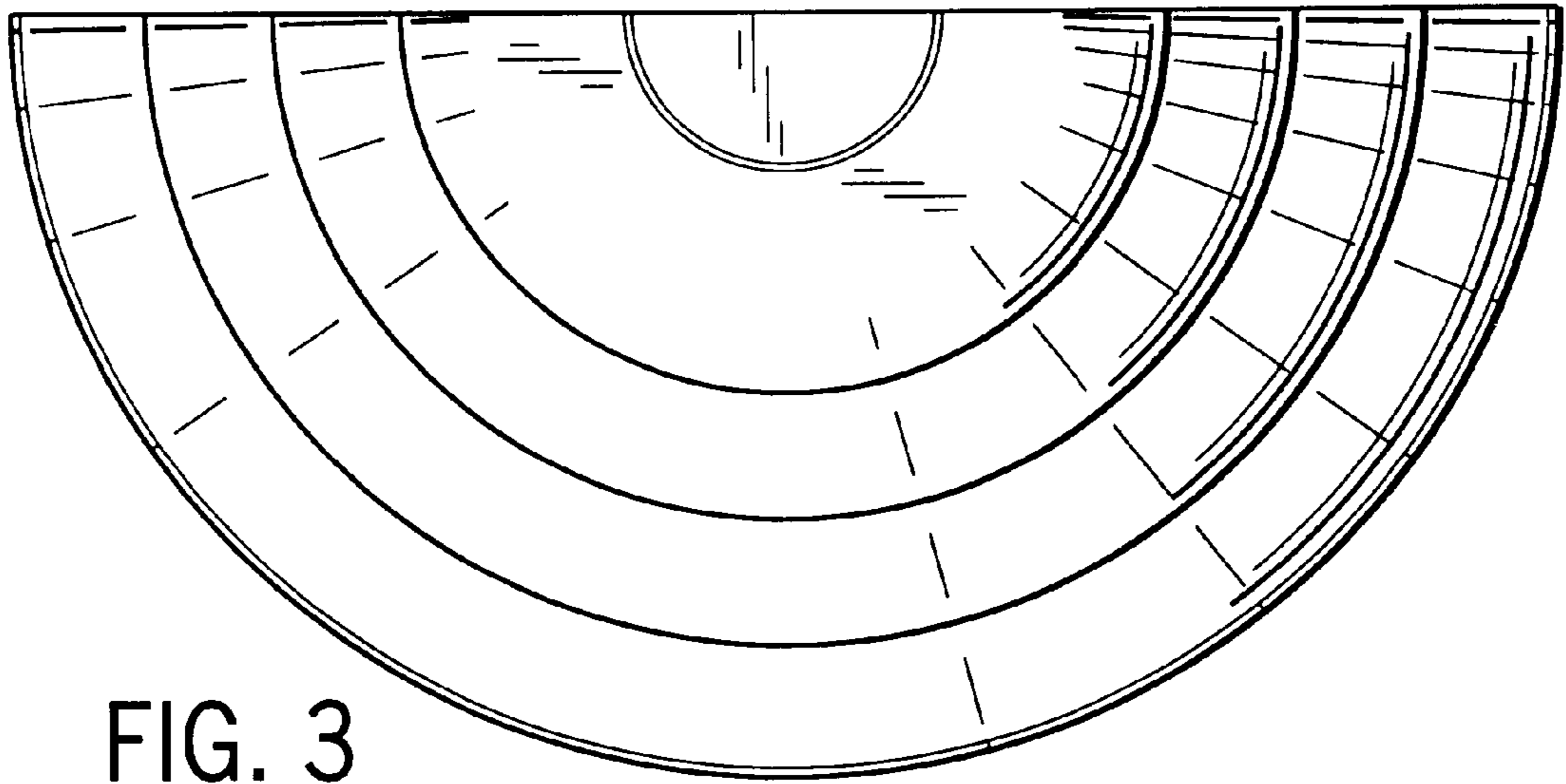


FIG. 3

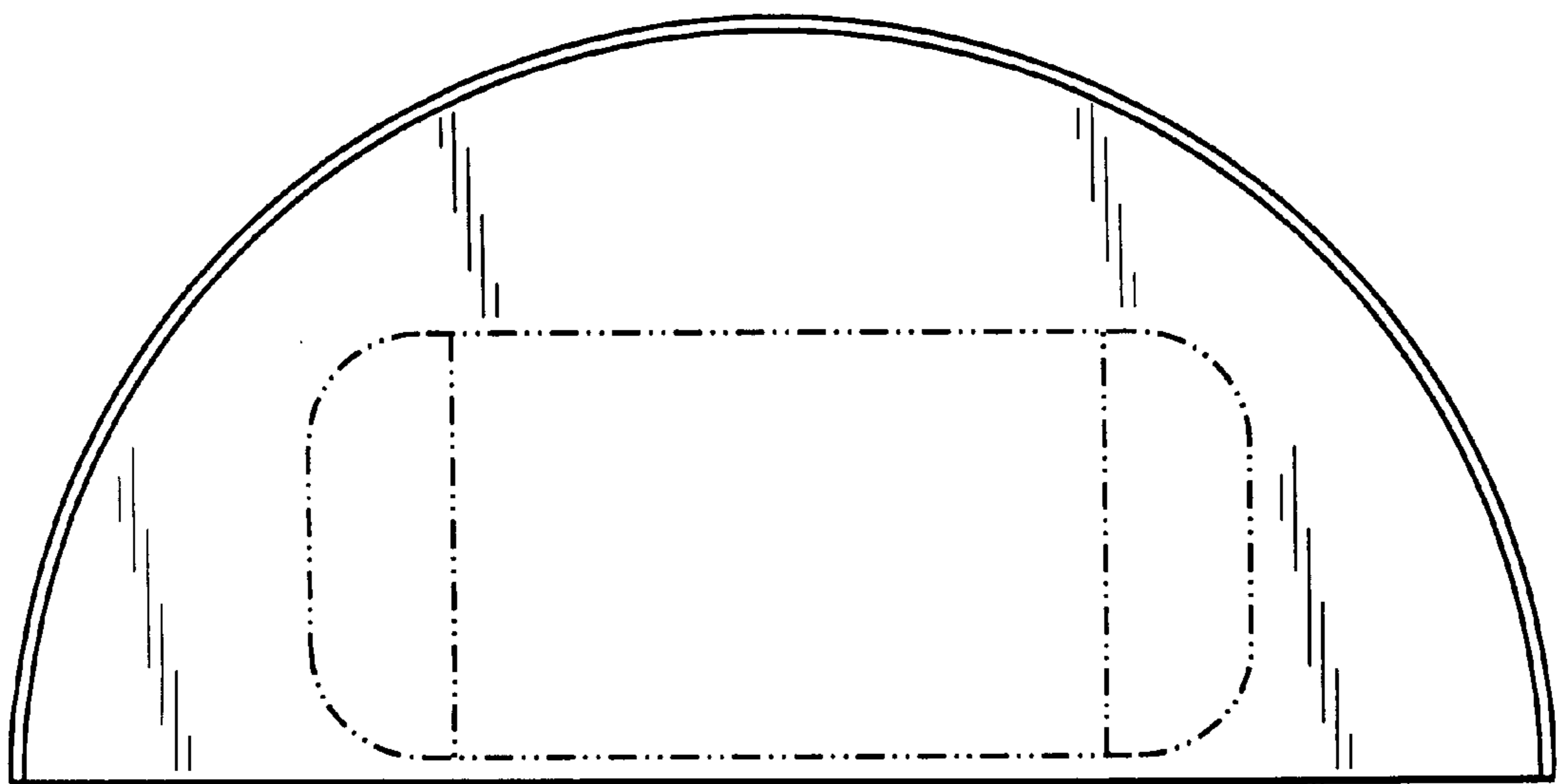


FIG. 4

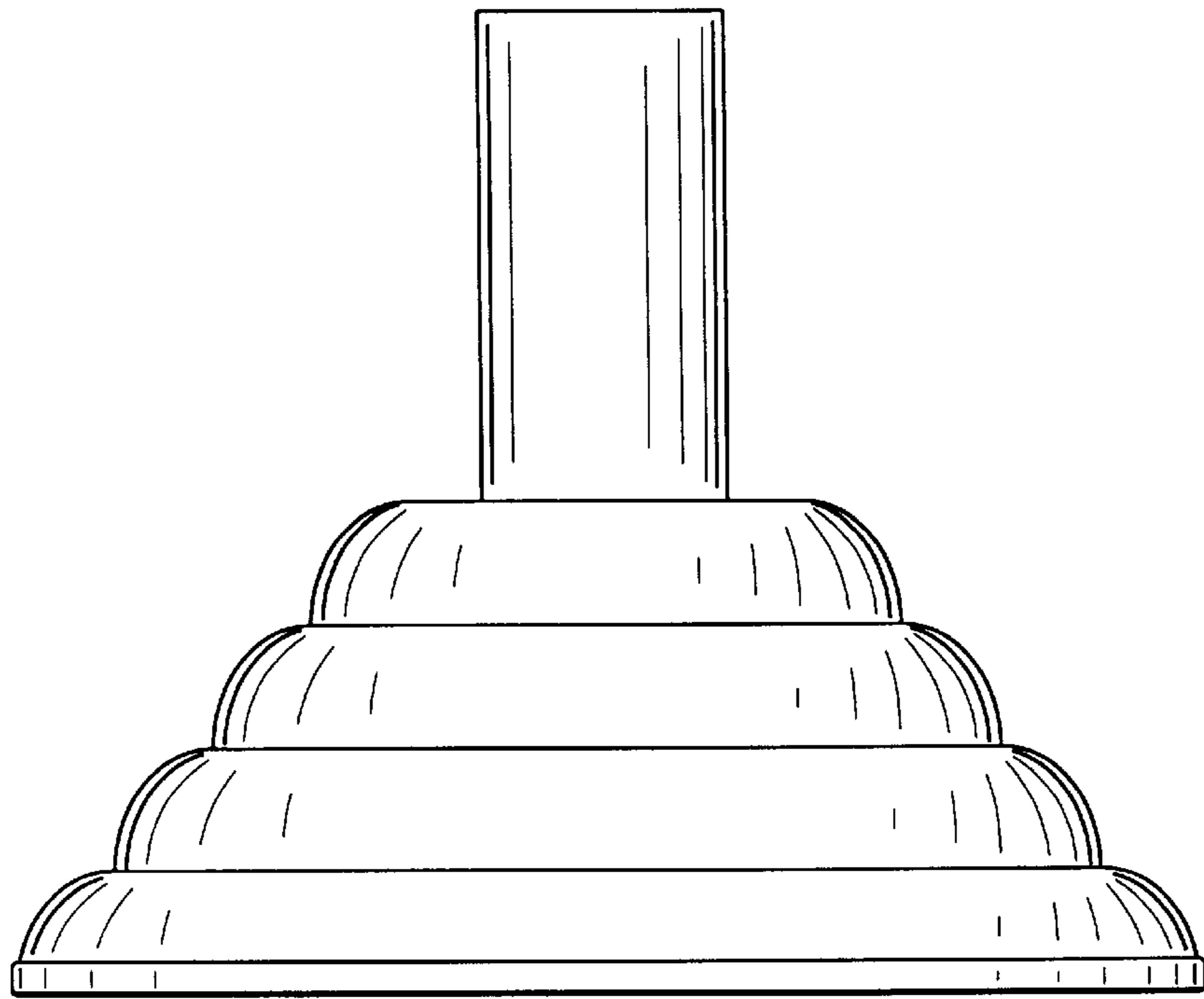


FIG. 5

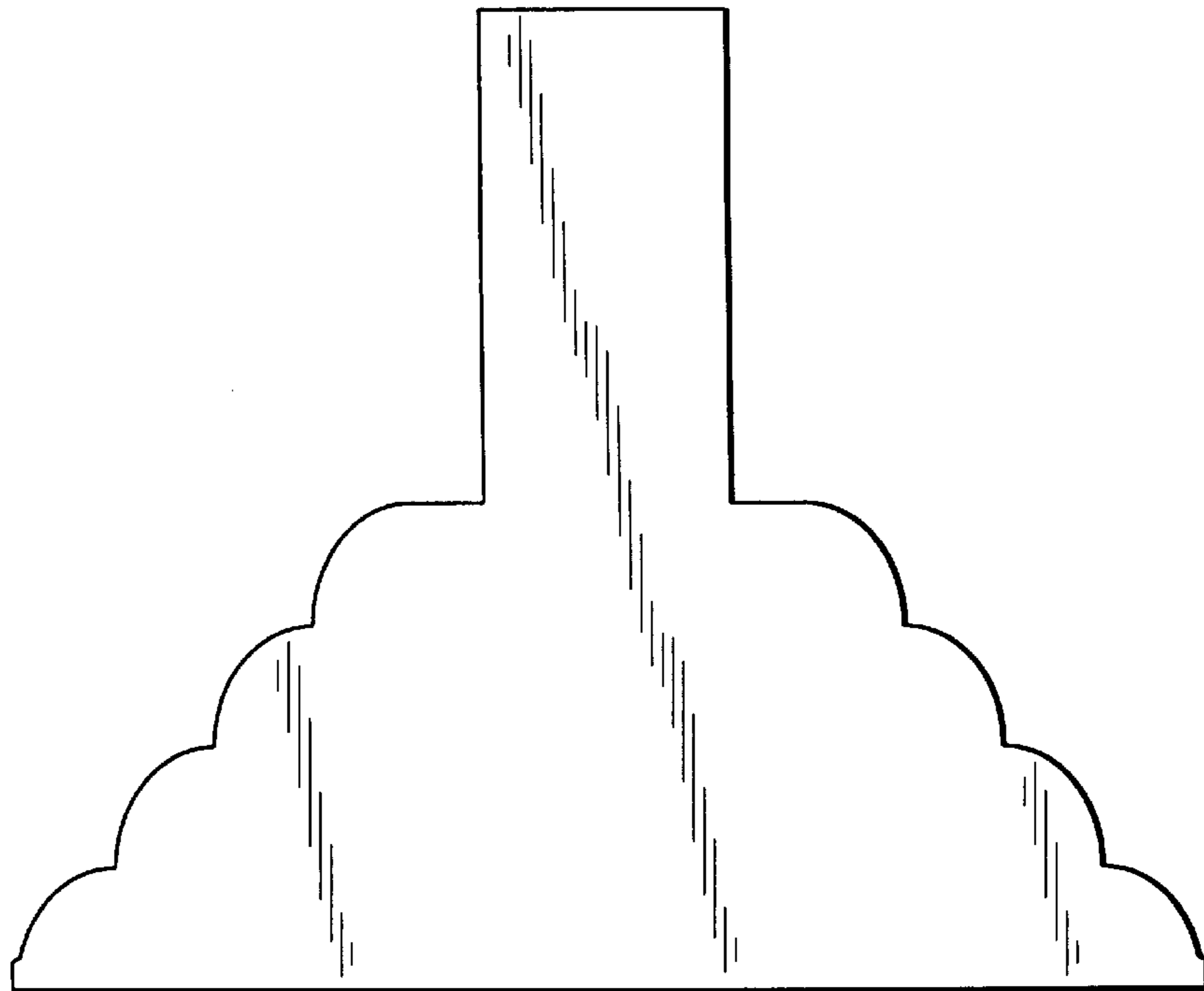


FIG. 6

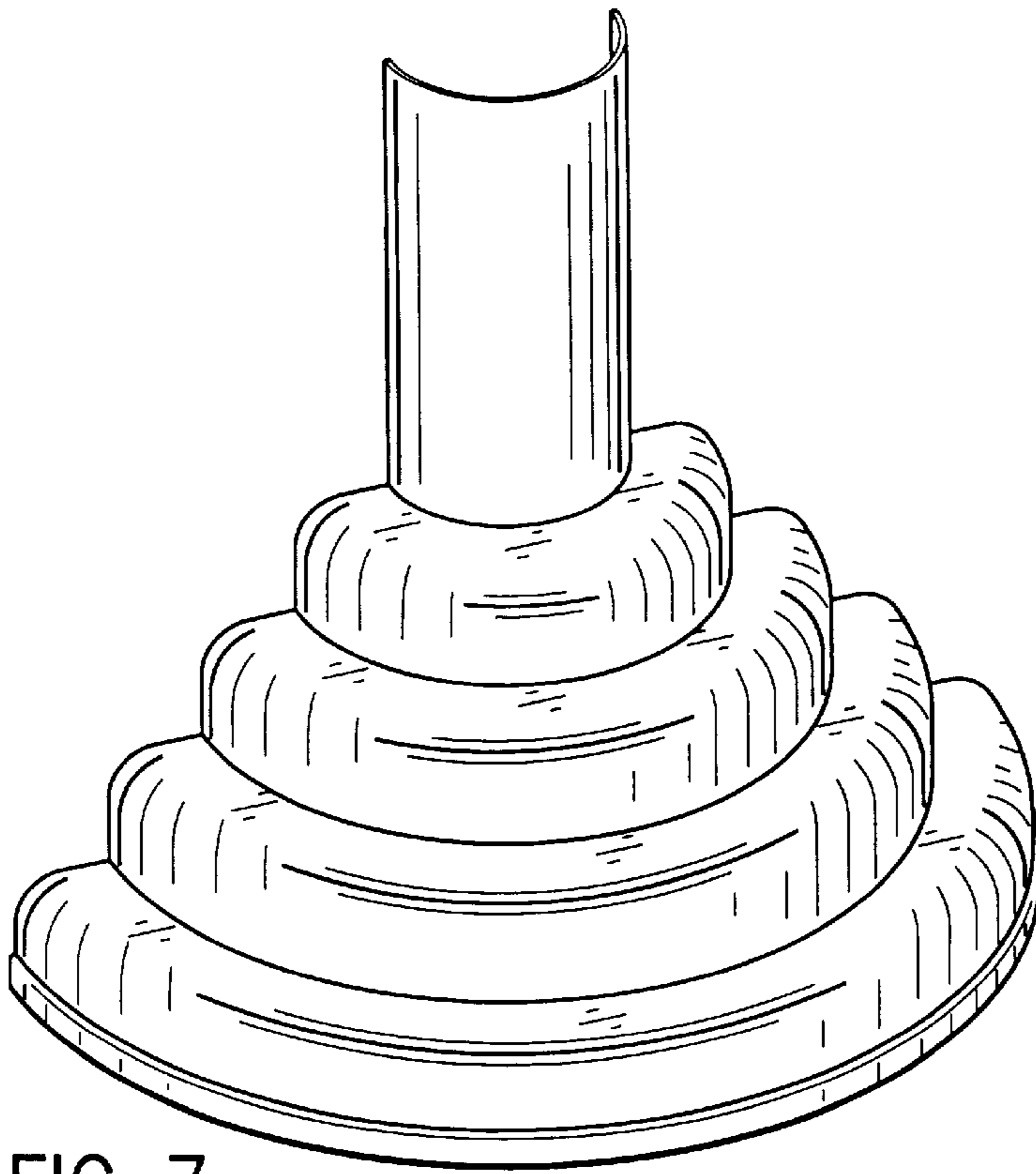


FIG. 7

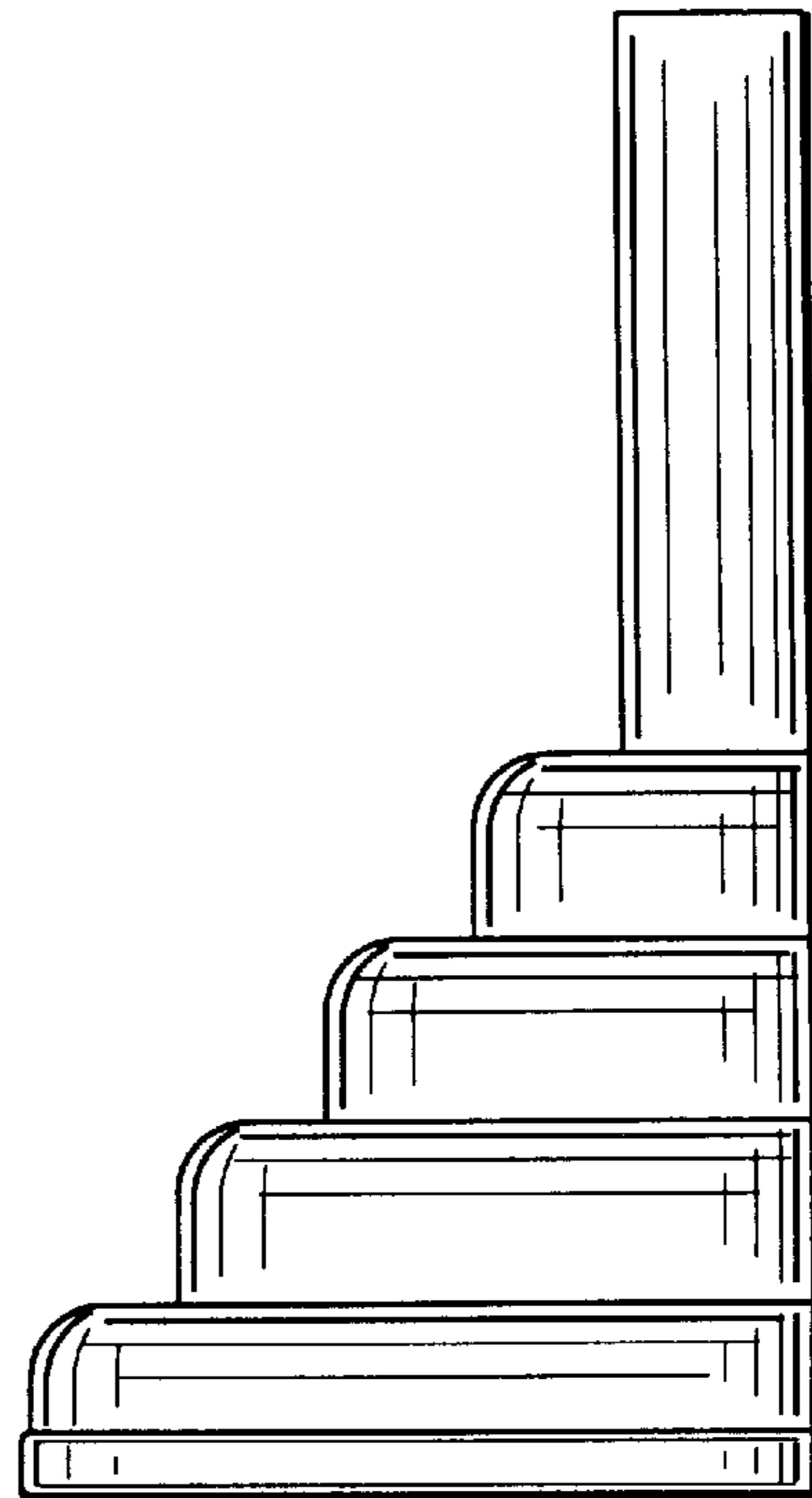


FIG. 8

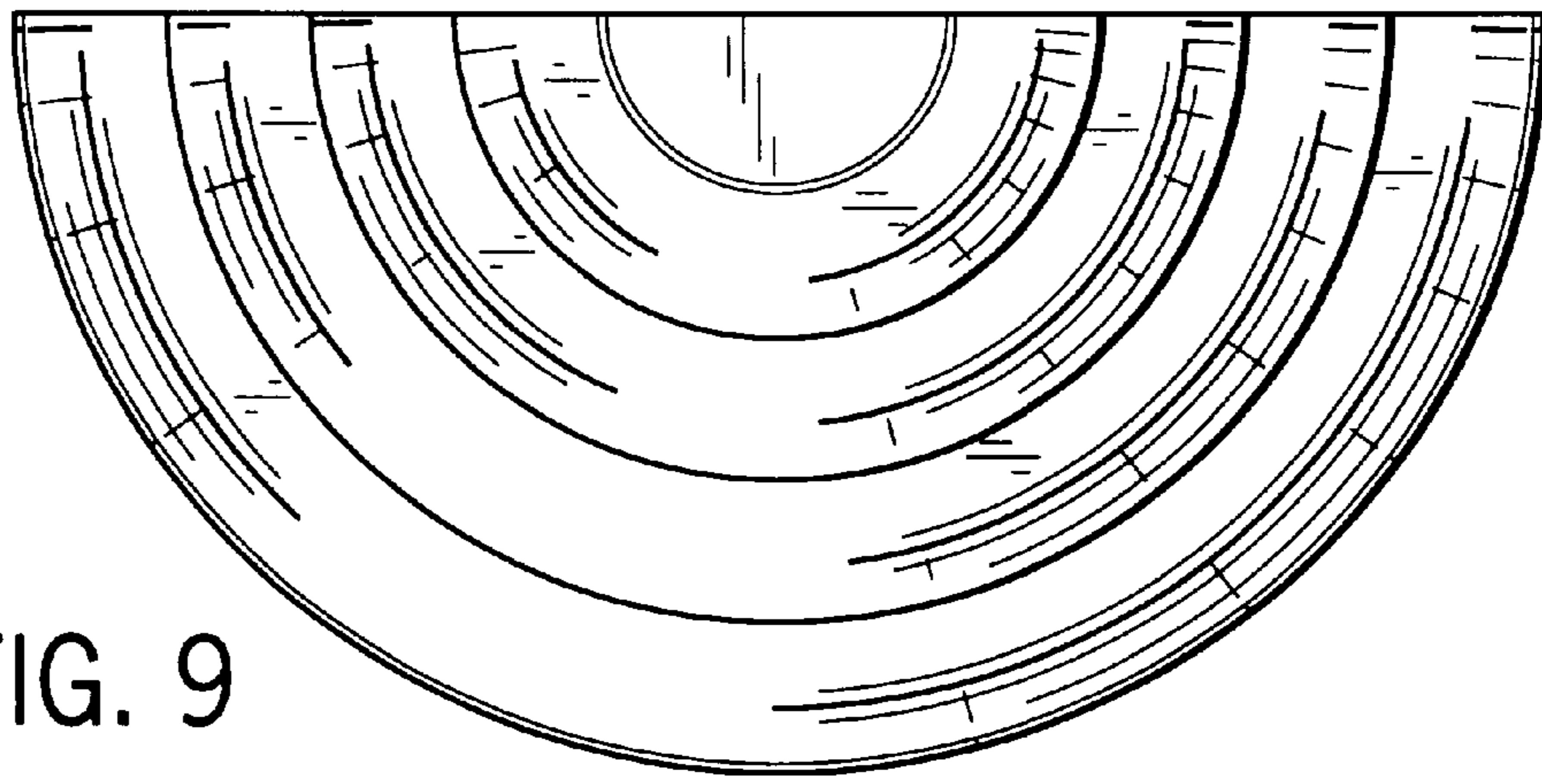


FIG. 9

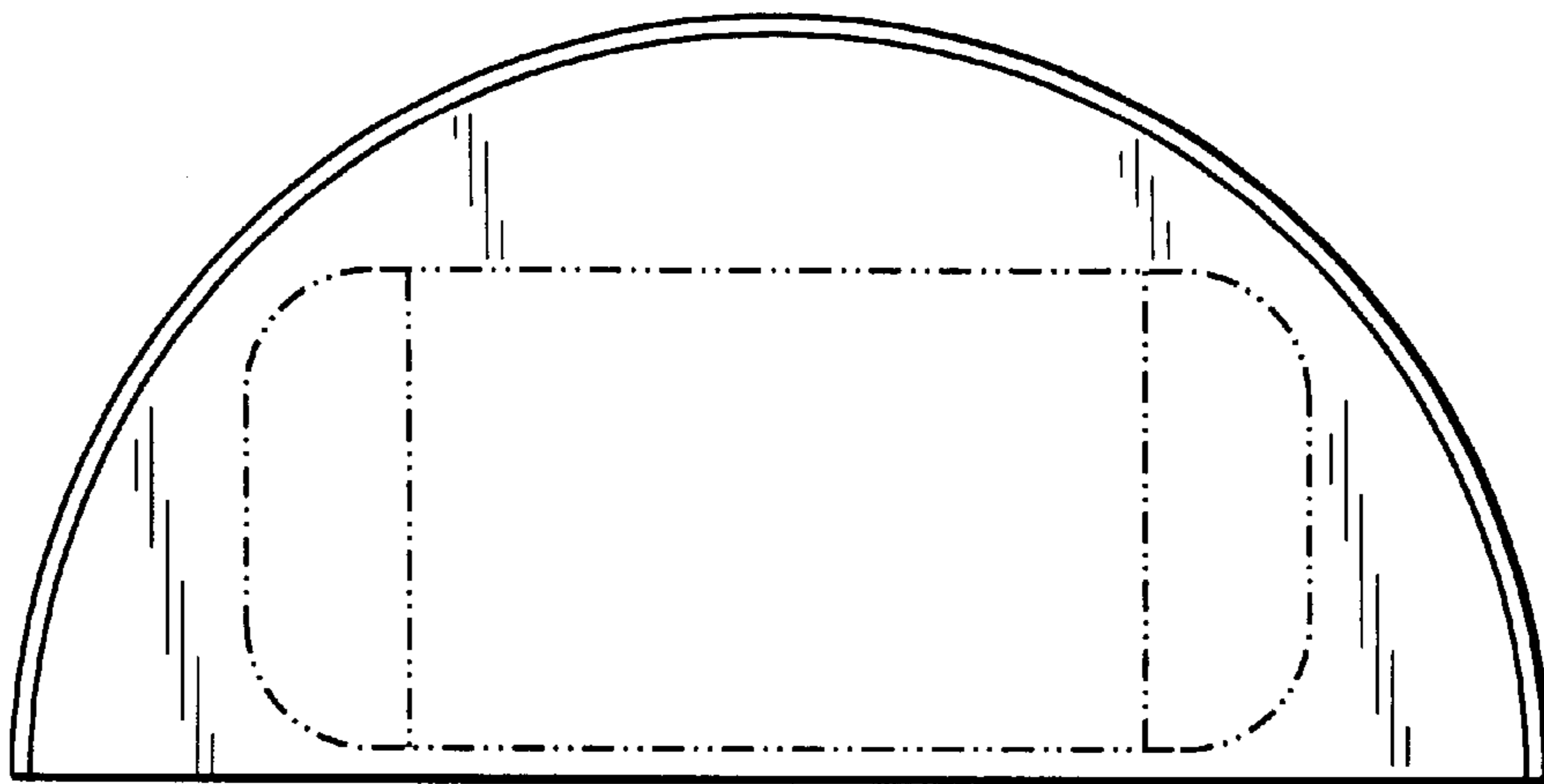


FIG. 10

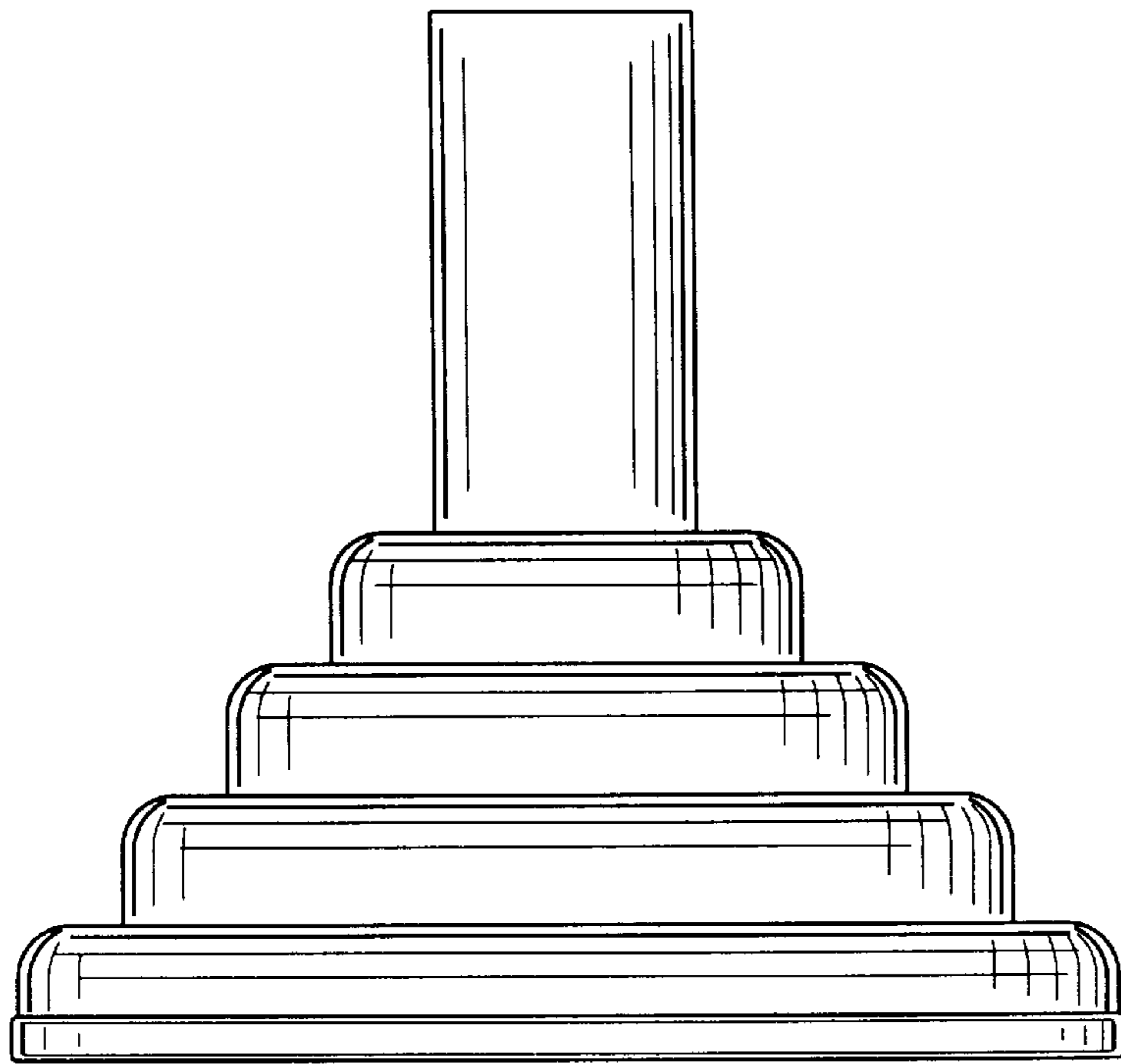


FIG. 11

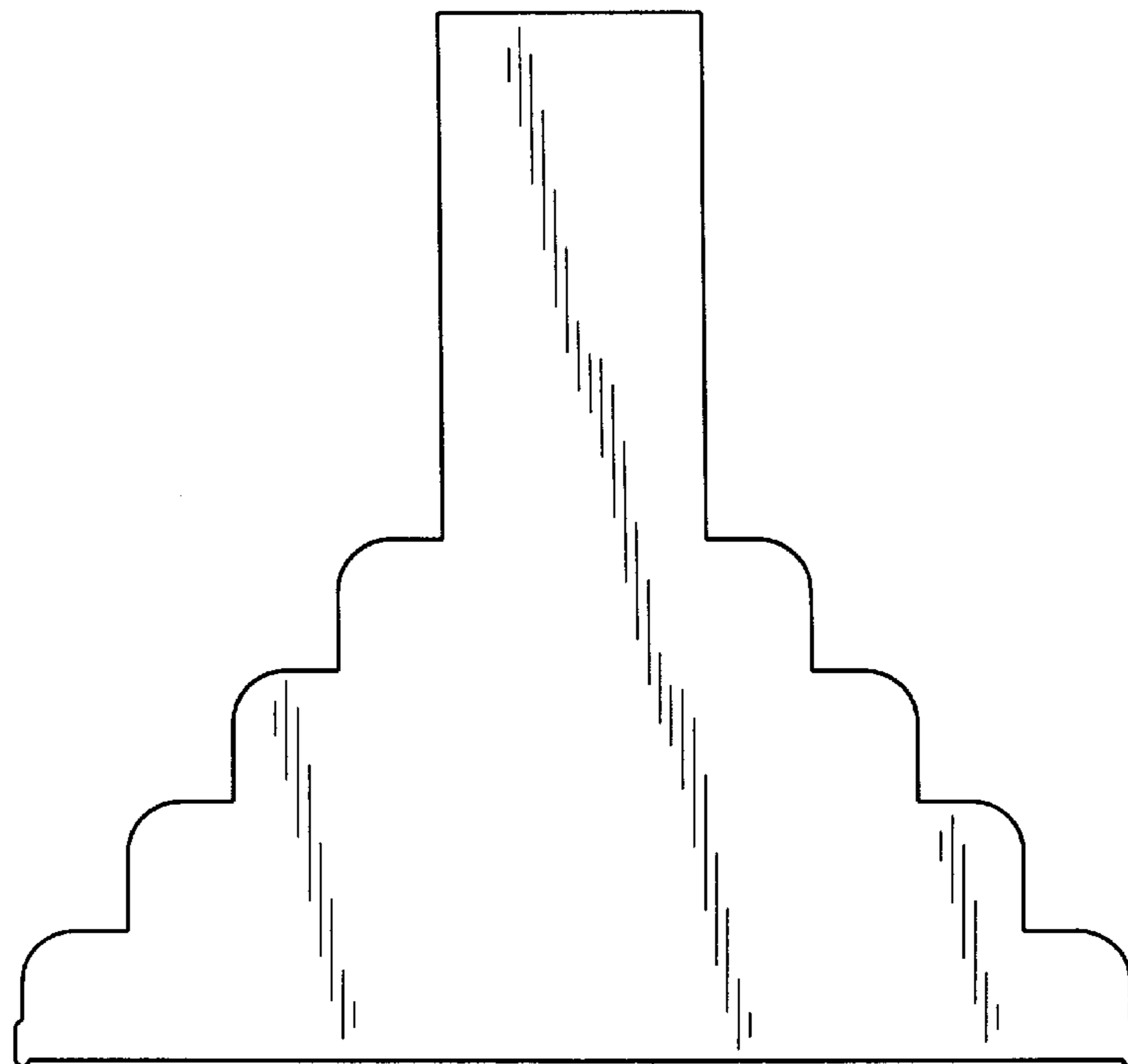


FIG. 12

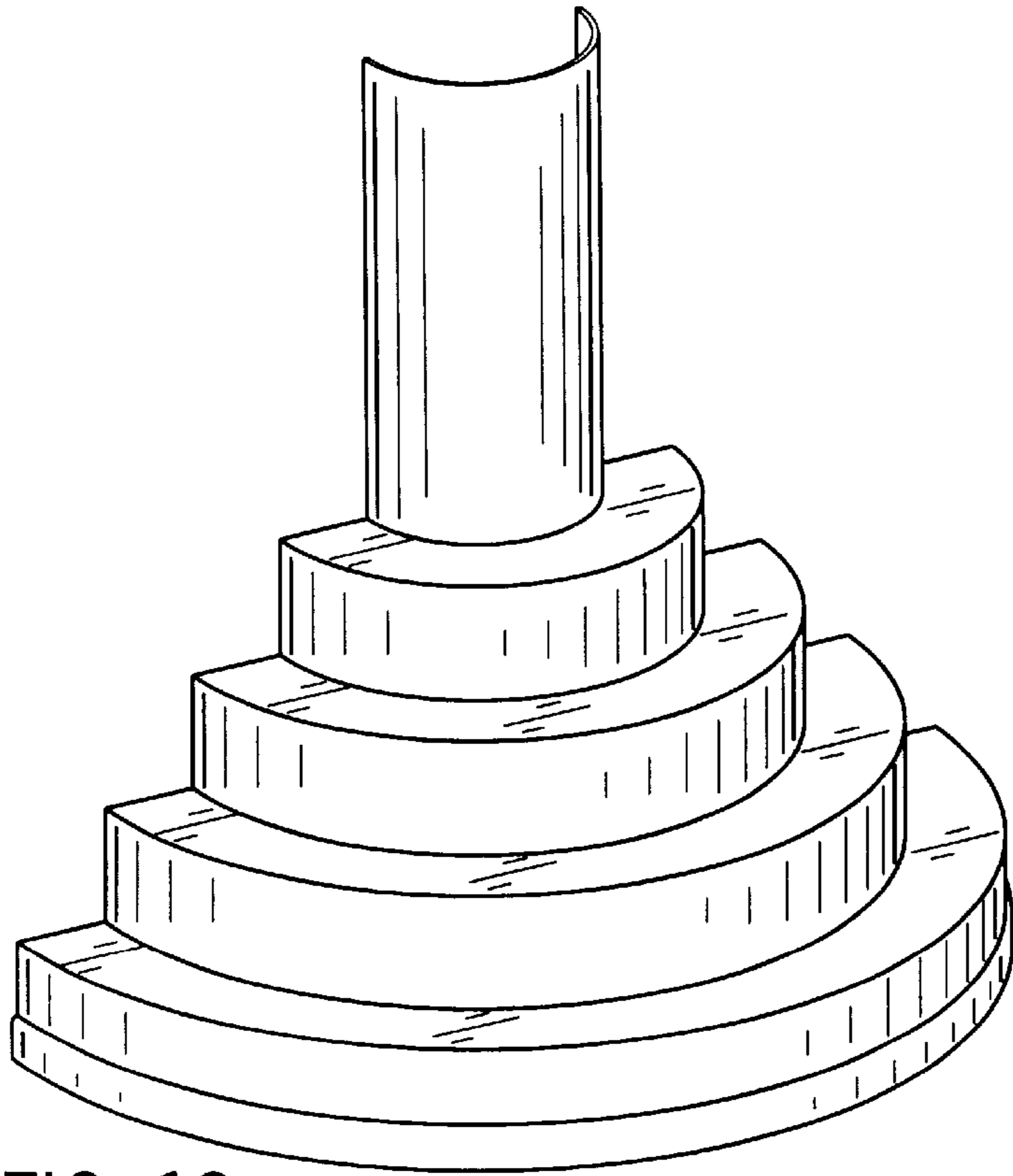


FIG. 13

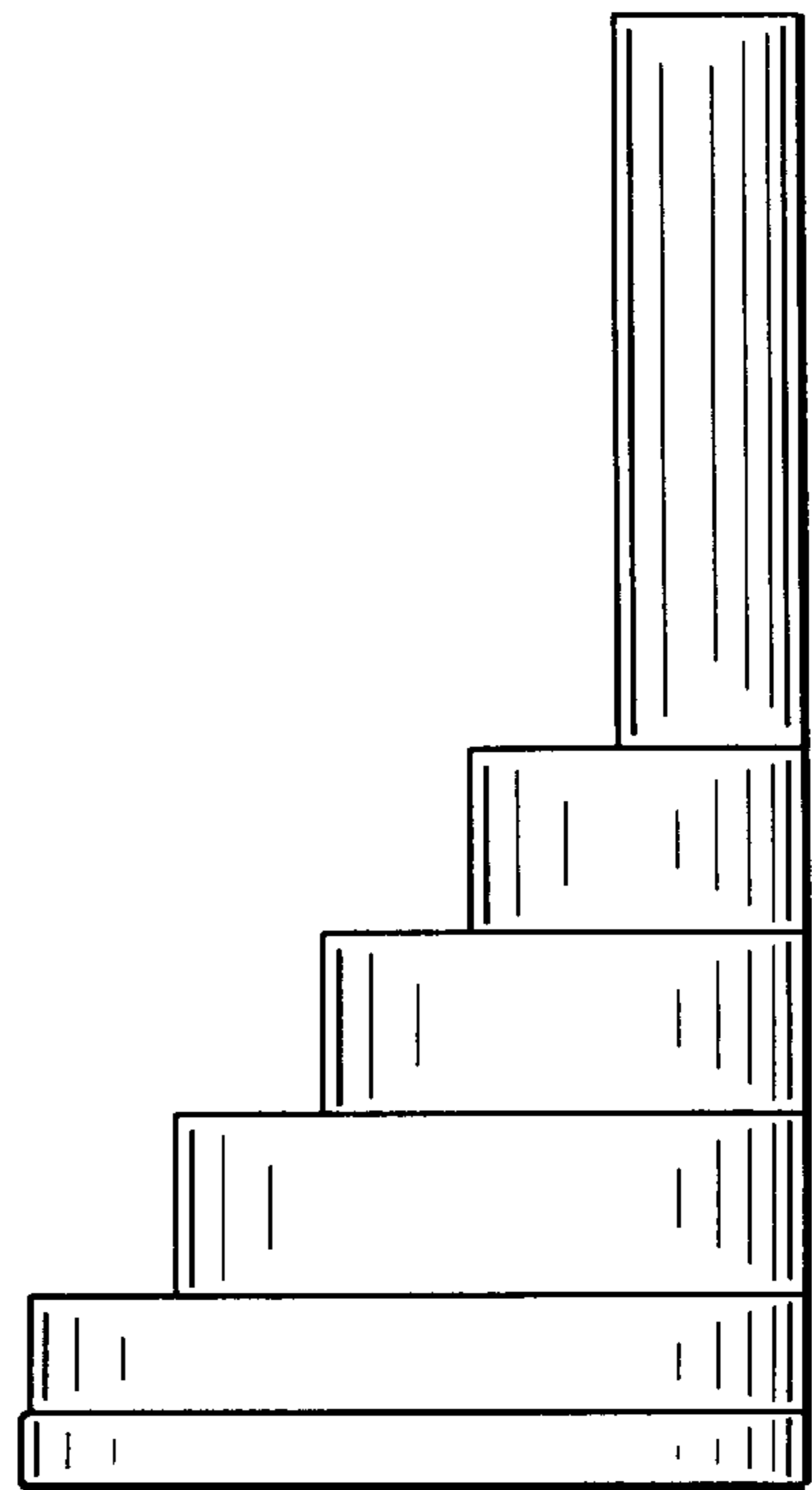


FIG. 14

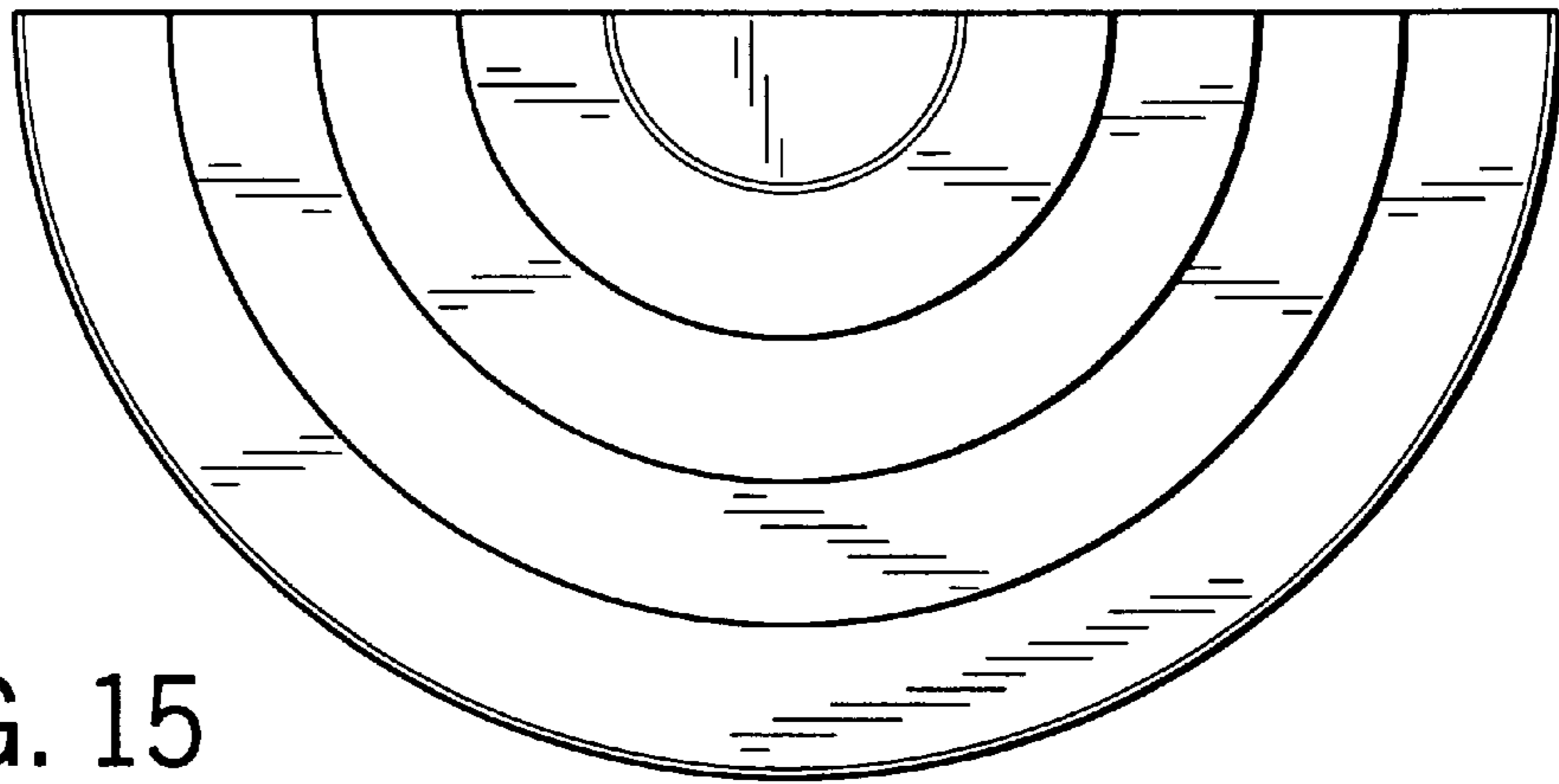


FIG. 15

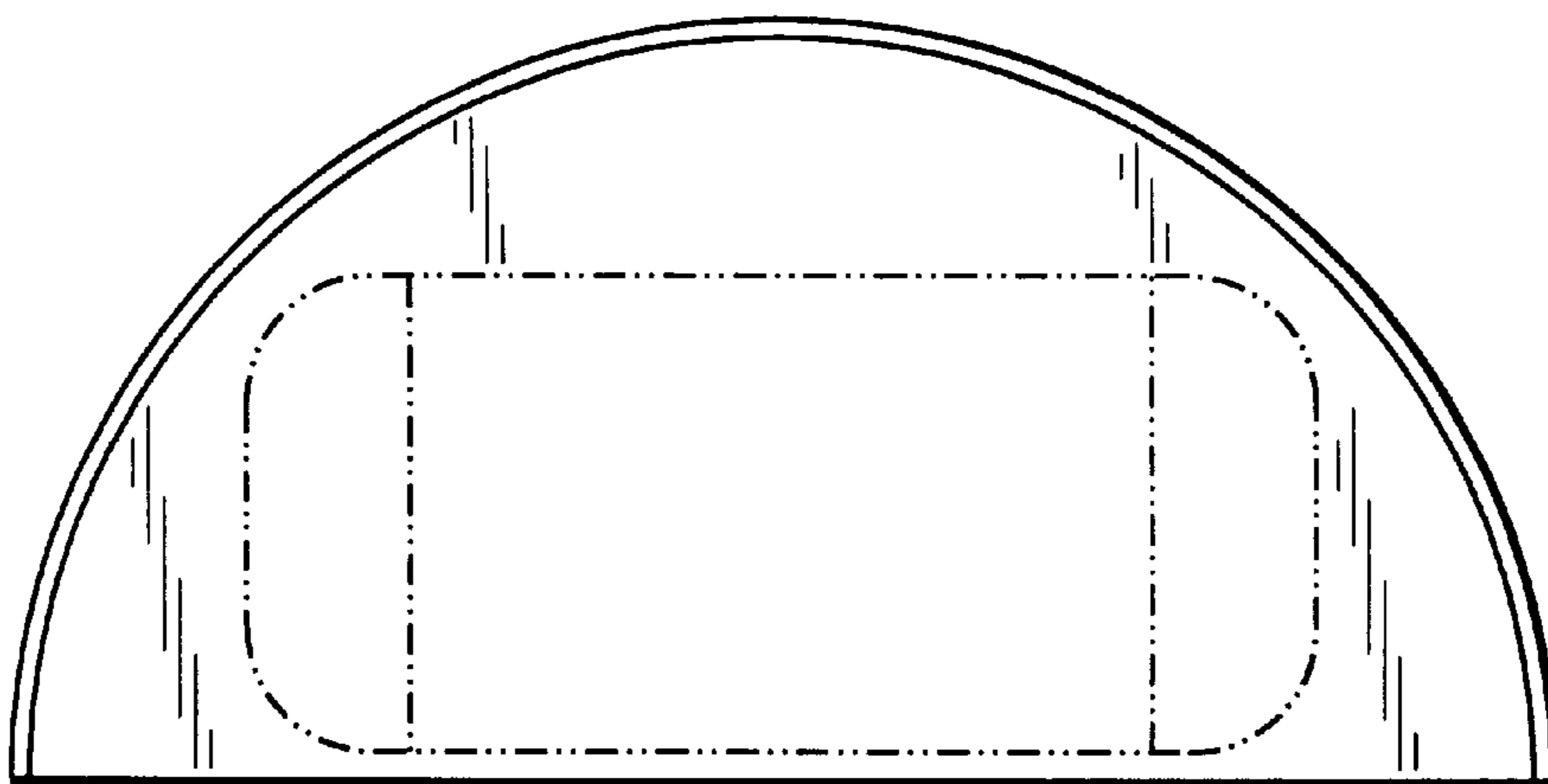


FIG. 16

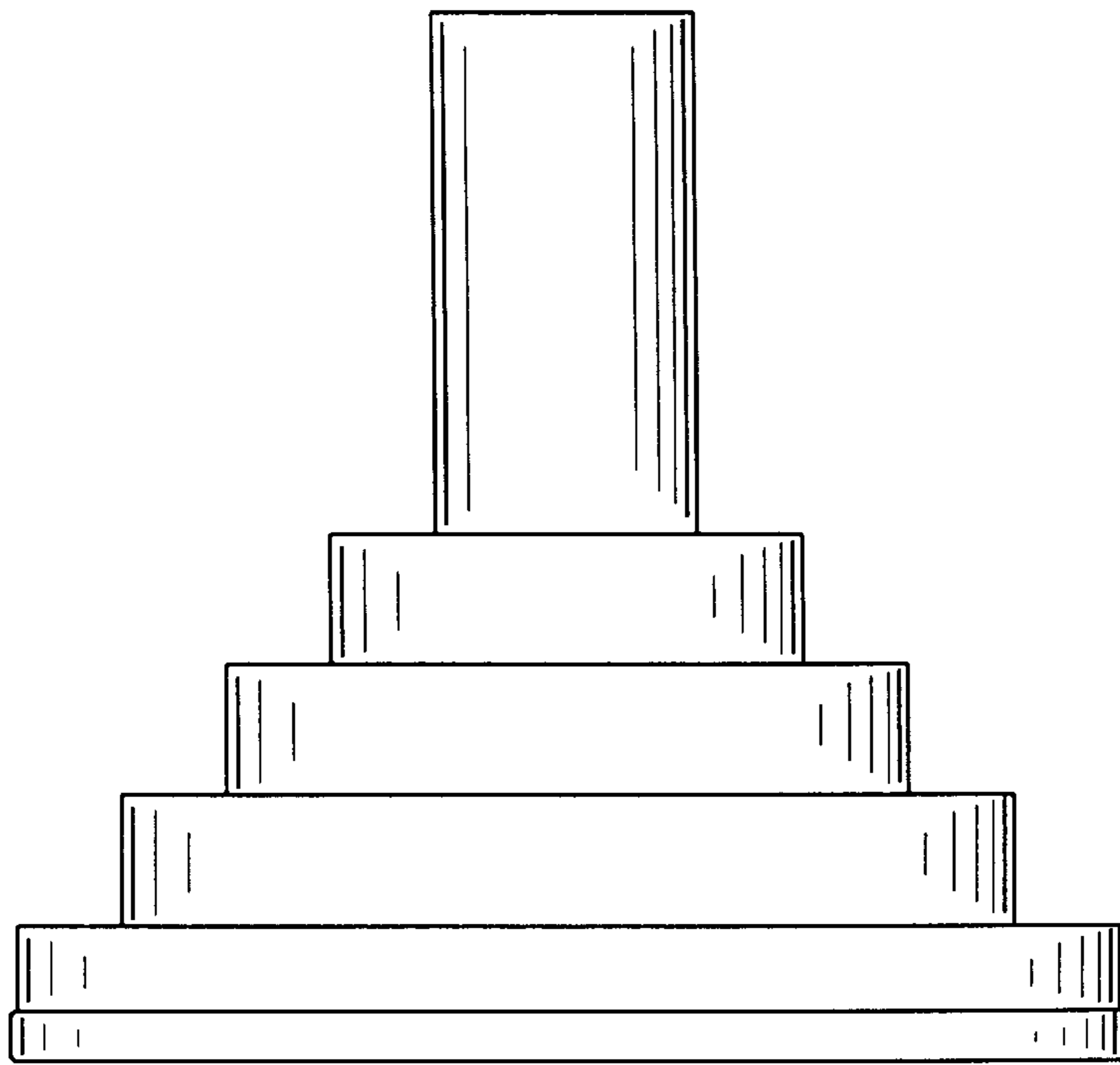


FIG. 17

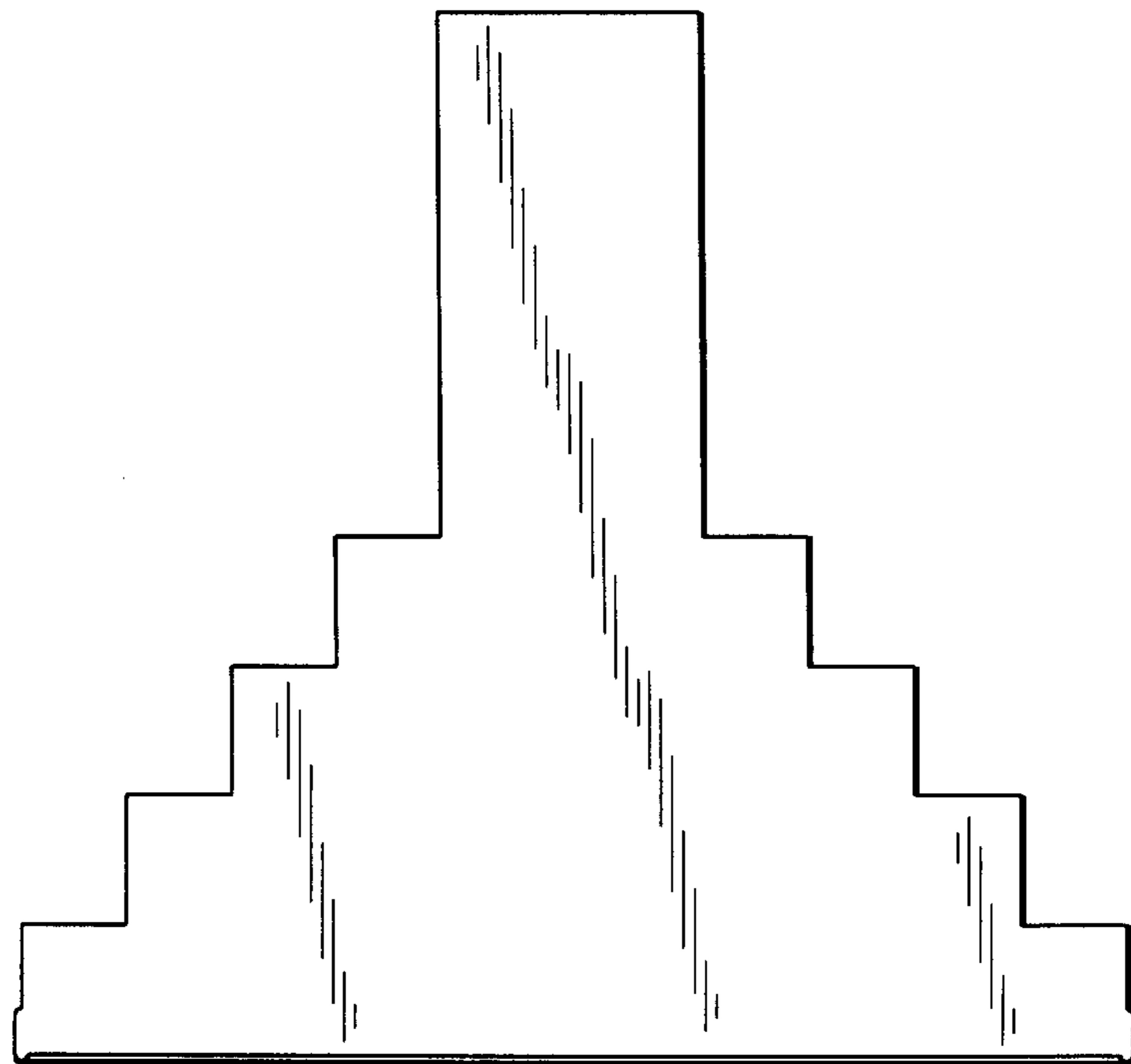


FIG. 18