



US00D439648S

(12) **United States Design Patent**  
**Jones et al.**

(10) **Patent No.:** **US D439,648 S**

(45) **Date of Patent:** **\*\* Mar. 27, 2001**

(54) **FAN HOUSING**

2,680,409 \* 6/1954 Sebens ..... 415/204

(75) Inventors: **Richard Llewelyn Jones**, Beecroft;  
**Kostadin Boris Kondev**, Lakemba;  
**Atul Shrikrishna Magikar**, Ashfield;  
**Alexander Virr**, Balmain, all of (AU)

\* cited by examiner

*Primary Examiner*—Lisa Lichtenstein

(74) *Attorney, Agent, or Firm*—Pillsbury Madison & Sutro  
LLP

(73) Assignee: **ResMed Limited**, North Ryde (AU)

(\*\*) Term: **14 Years**

(57) **CLAIM**

The ornamental design for “a fan housing,” as shown.

(21) Appl. No.: **29/106,700**

(22) Filed: **Jun. 22, 1999**

**DESCRIPTION**

(30) **Foreign Application Priority Data**

Dec. 22, 1998 (AU) ..... 4023/98

(51) **LOC (7) Cl.** ..... **23-04**

(52) **U.S. Cl.** ..... **D23/370**

(58) **Field of Search** ..... D23/370, 411;  
415/204, 206, 203, 212.1

FIG. 1. is a Perspective View showing my new design;

FIG. 2 is a Left Side View thereof;

FIG. 3 is a Right Side View thereof;

FIG. 4 is a Plan View thereof;

FIG. 5 is a Front View thereof;

FIG. 6 is an Inverted Plan View thereof; and,

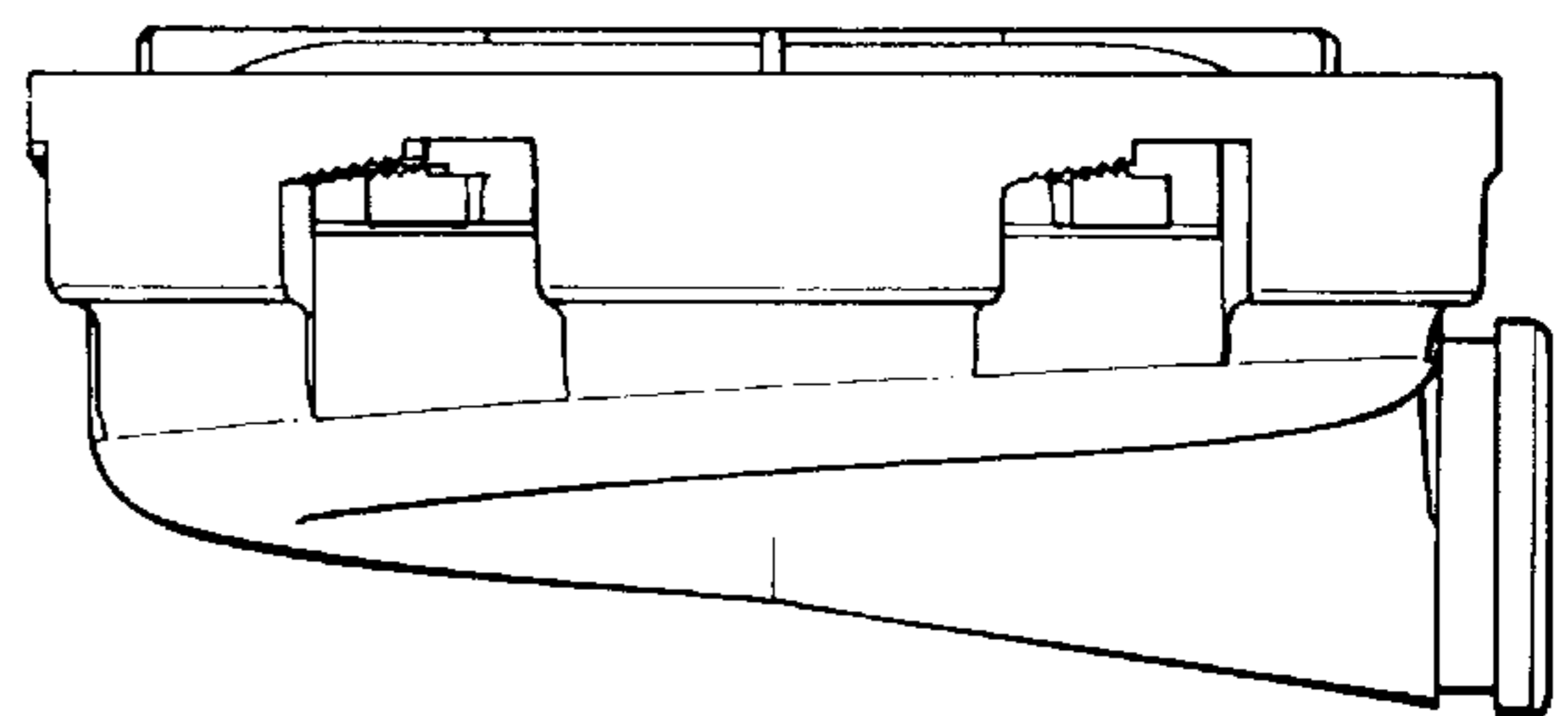
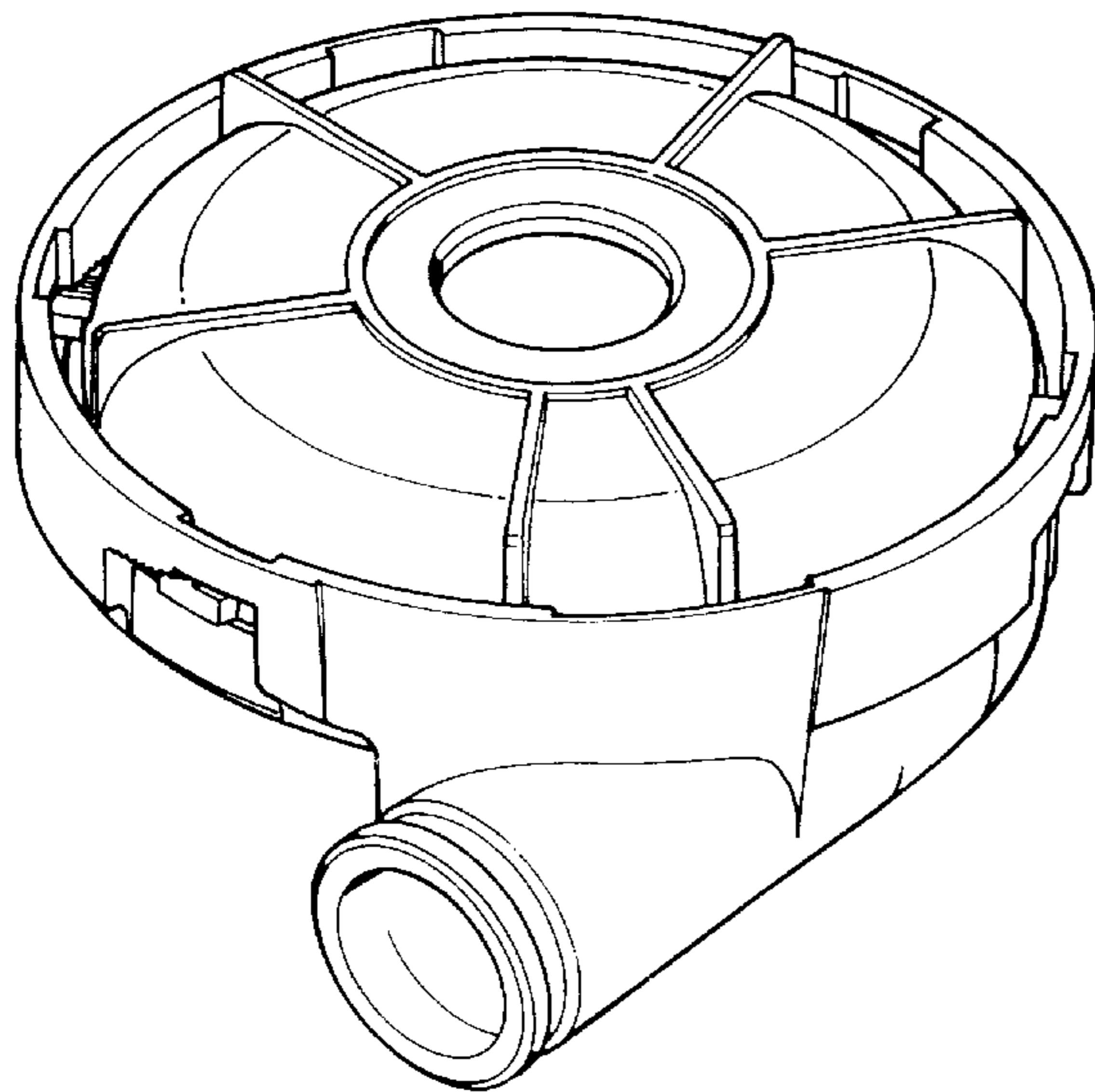
FIG. 7 is a Rear View thereof.

(56) **References Cited**

**U.S. PATENT DOCUMENTS**

578,860 \* 3/1897 Clark ..... 415/204

**1 Claim, 3 Drawing Sheets**



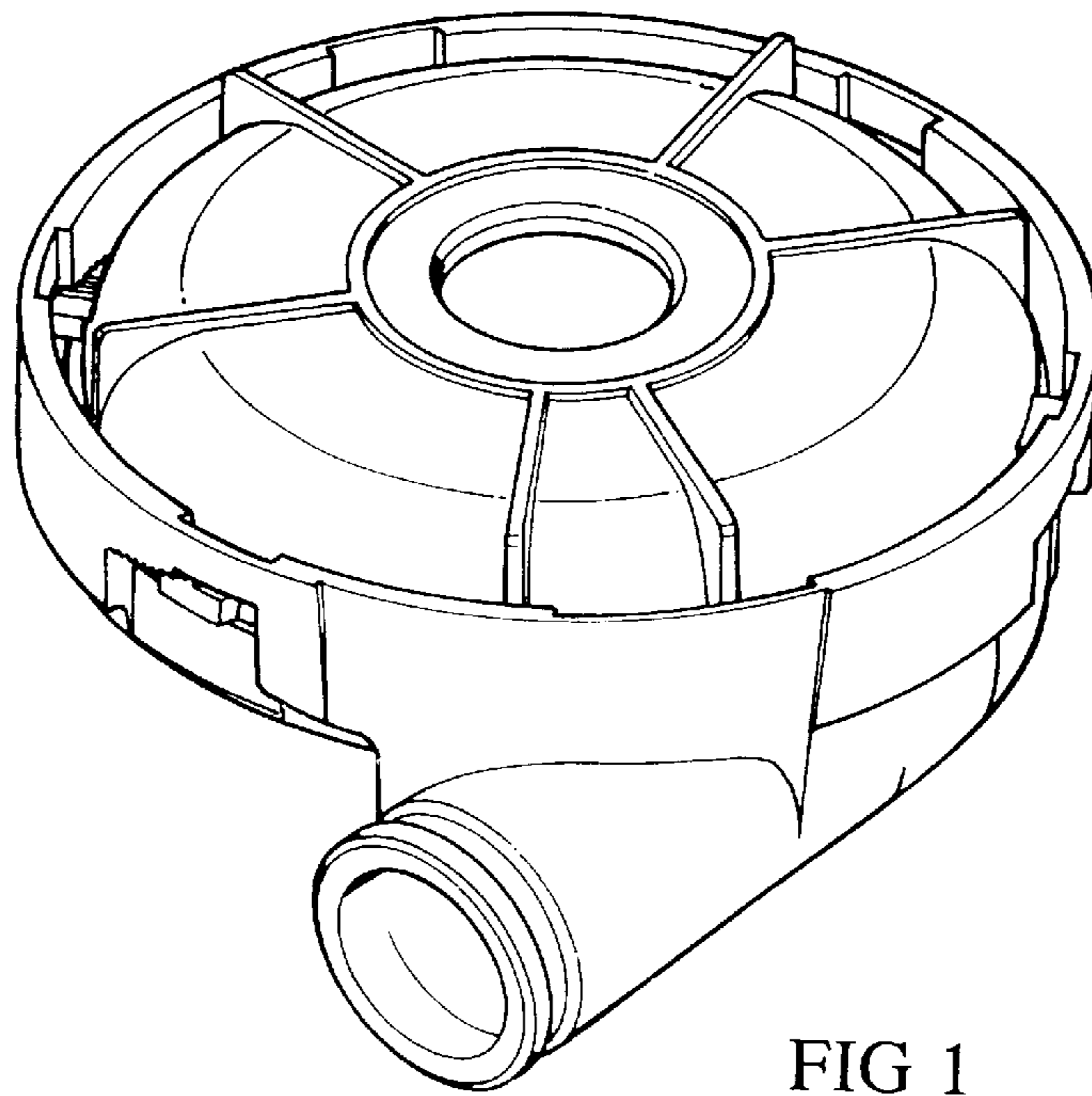


FIG 1

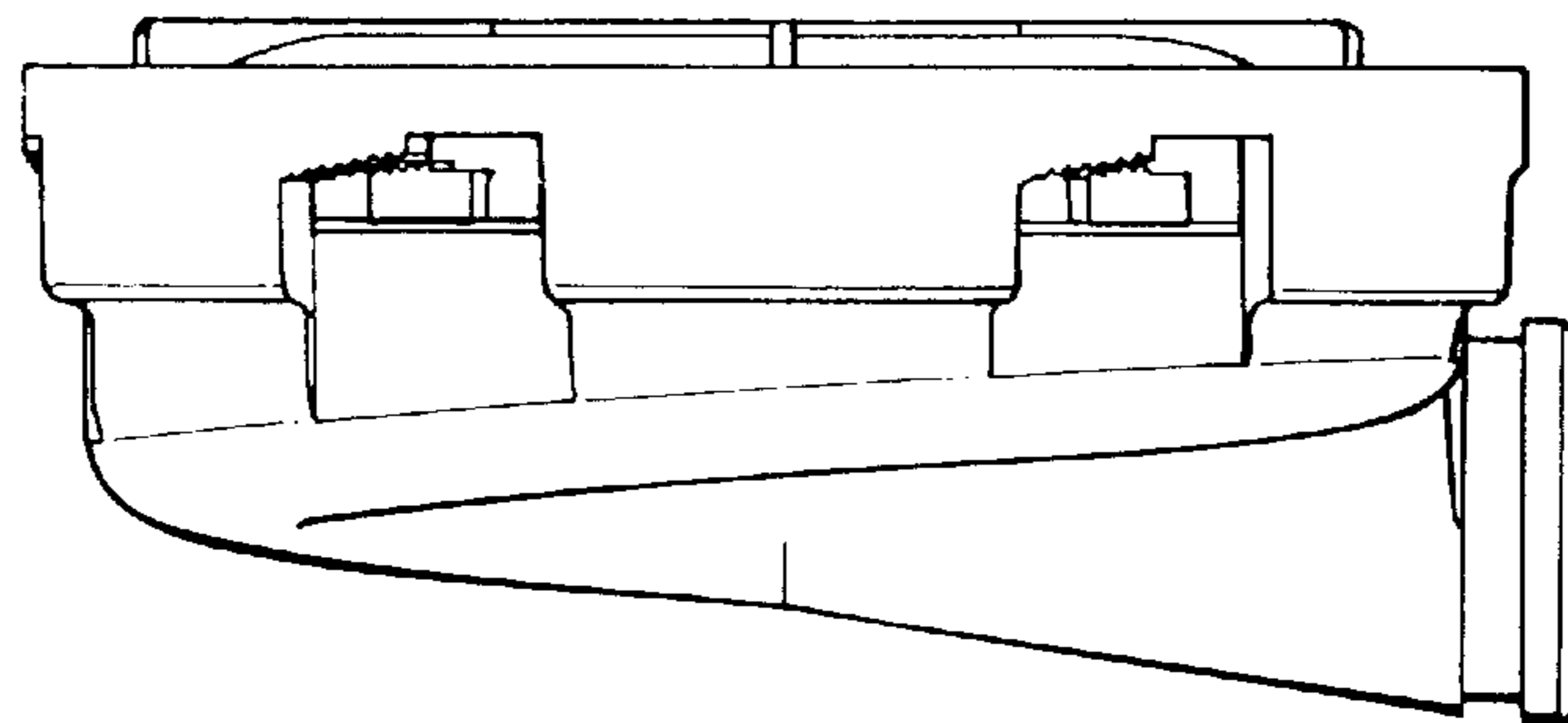


FIG 2

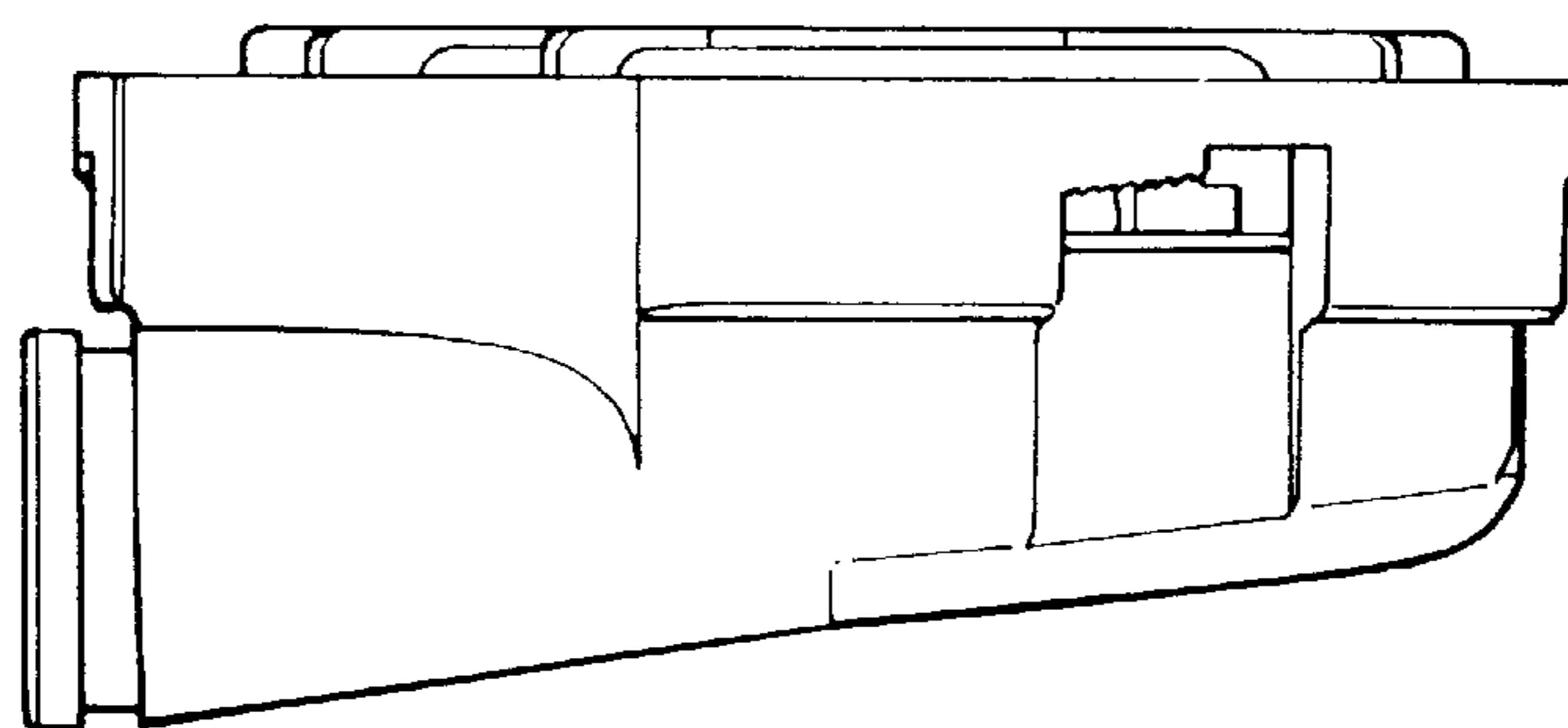


FIG 3

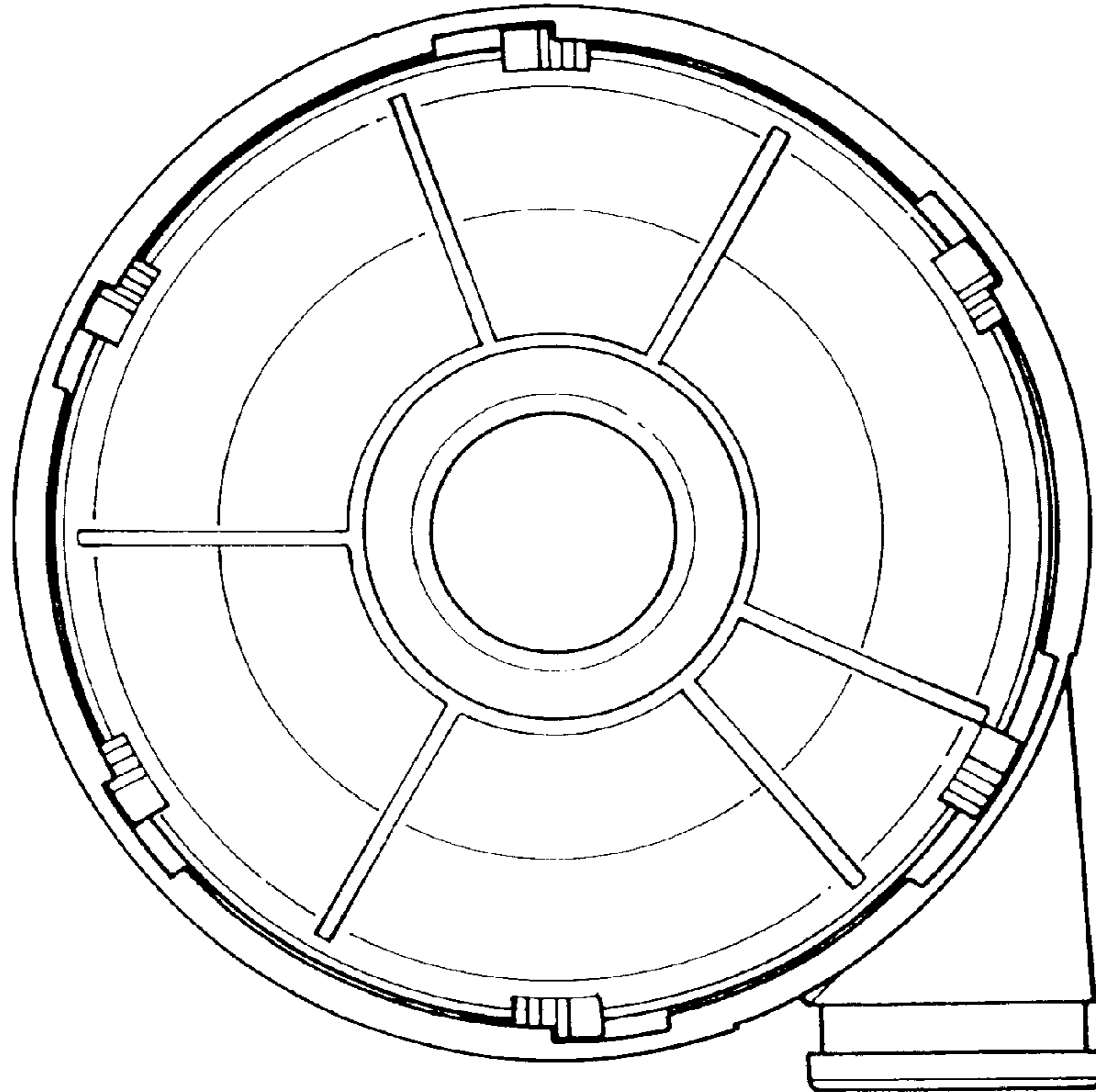


FIG 4

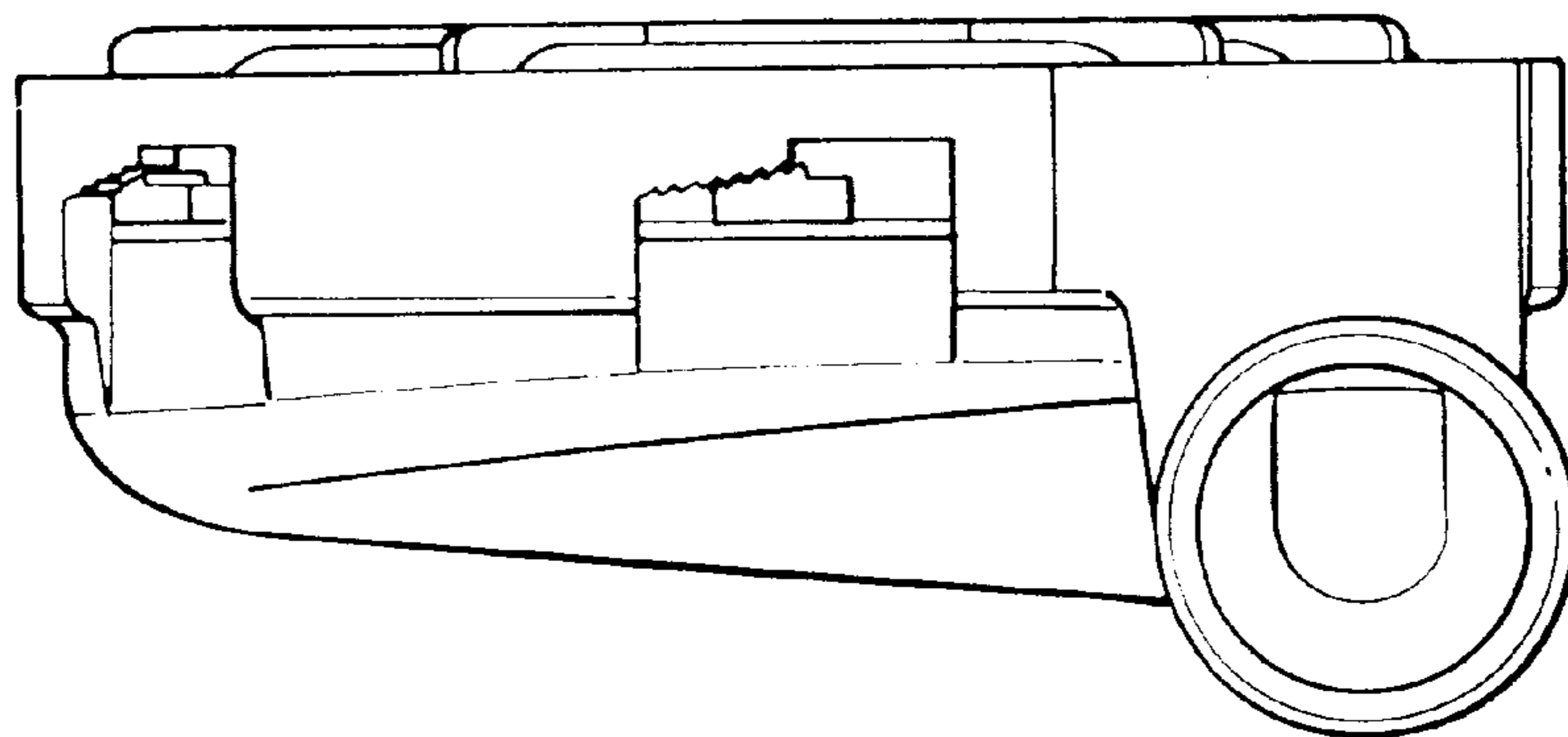


FIG 5

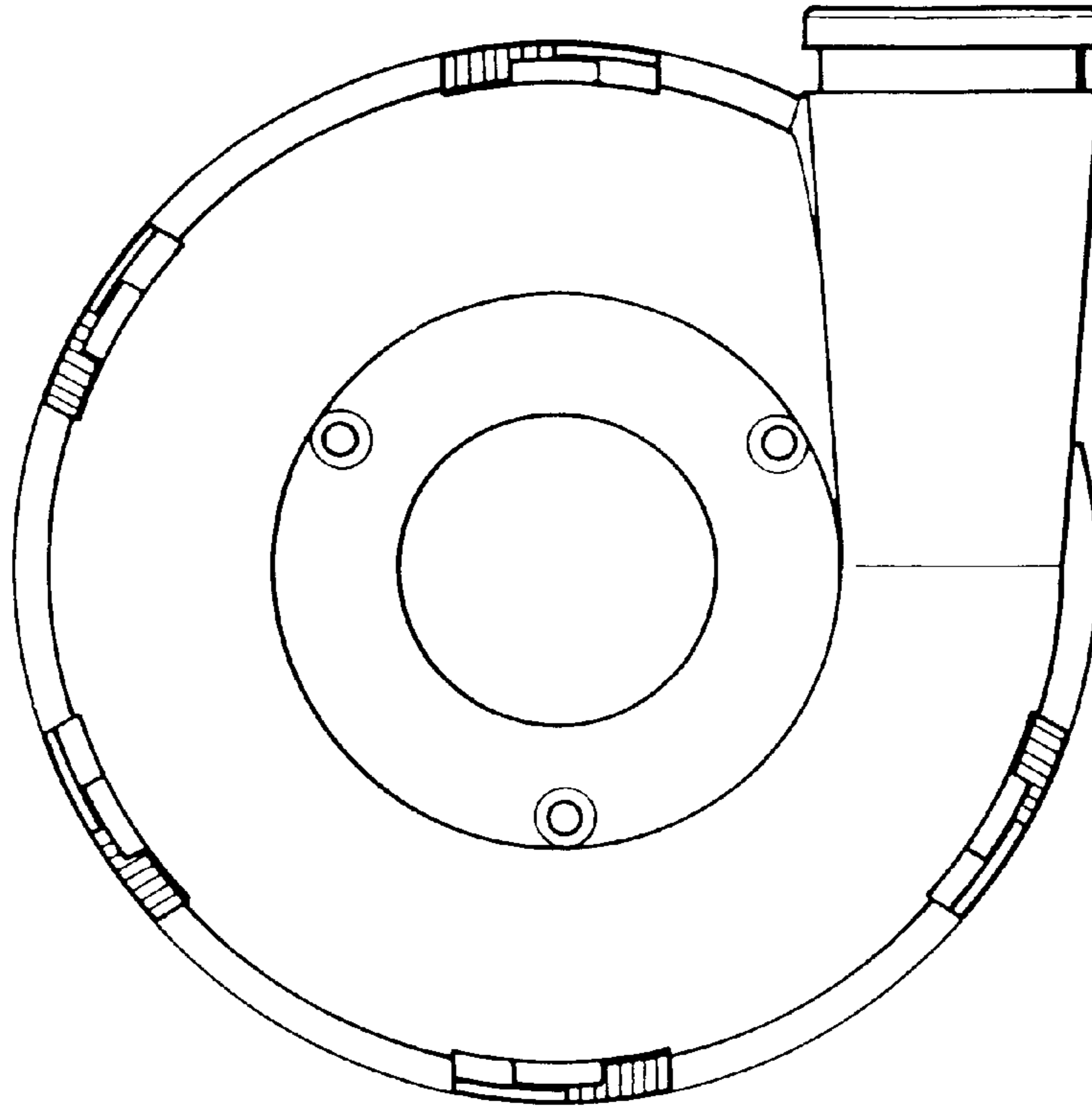


FIG 6

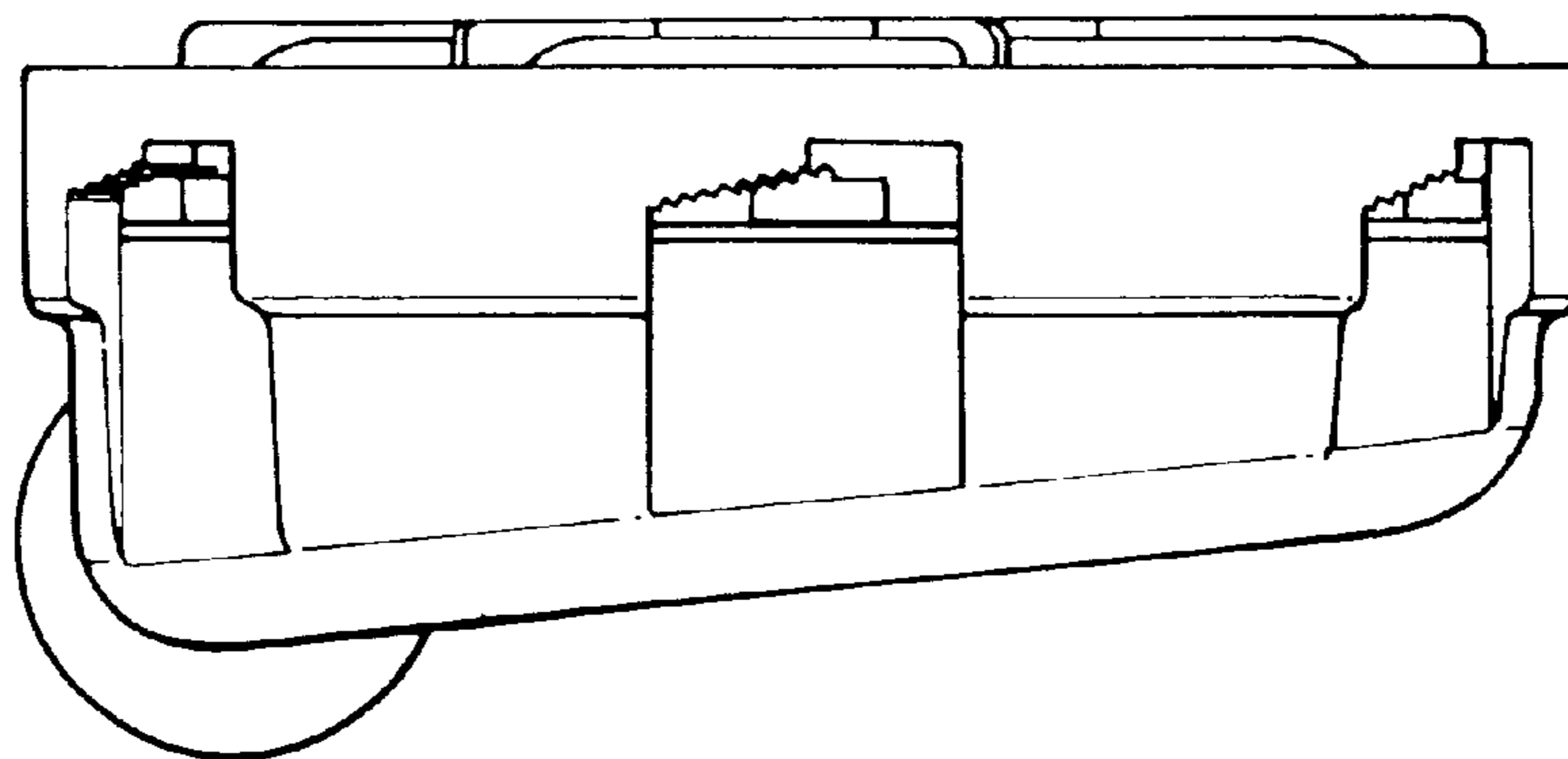


FIG 7