



US00D439646S

(12) **United States Design Patent**  
**McMahon**

(10) **Patent No.:** **US D439,646 S**

(45) **Date of Patent:** **\*\* Mar. 27, 2001**

(54) **AIR FILTER CLEANING DEVICE**

5,182,832 2/1993 McMahon .

(76) Inventor: **Michael R. McMahon**, 8809 Siwanoy Ct., Santee, CA (US) 92071

*Primary Examiner*—Lisa Lichtenstein  
(74) *Attorney, Agent, or Firm*—Brown, Martin, Haller & McClain, LLP

(\*\*) Term: **14 Years**

(57) **CLAIM**

(21) Appl. No.: **29/123,422**

The ornamental design for an air filter cleaning device, as shown and described.

(22) Filed: **May 17, 2000**

(51) **LOC (7) Cl.** ..... **23-04**

(52) **U.S. Cl.** ..... **D23/365**

(58) **Field of Search** ..... 55/302; 95/279,  
95/280; D23/365

**DESCRIPTION**

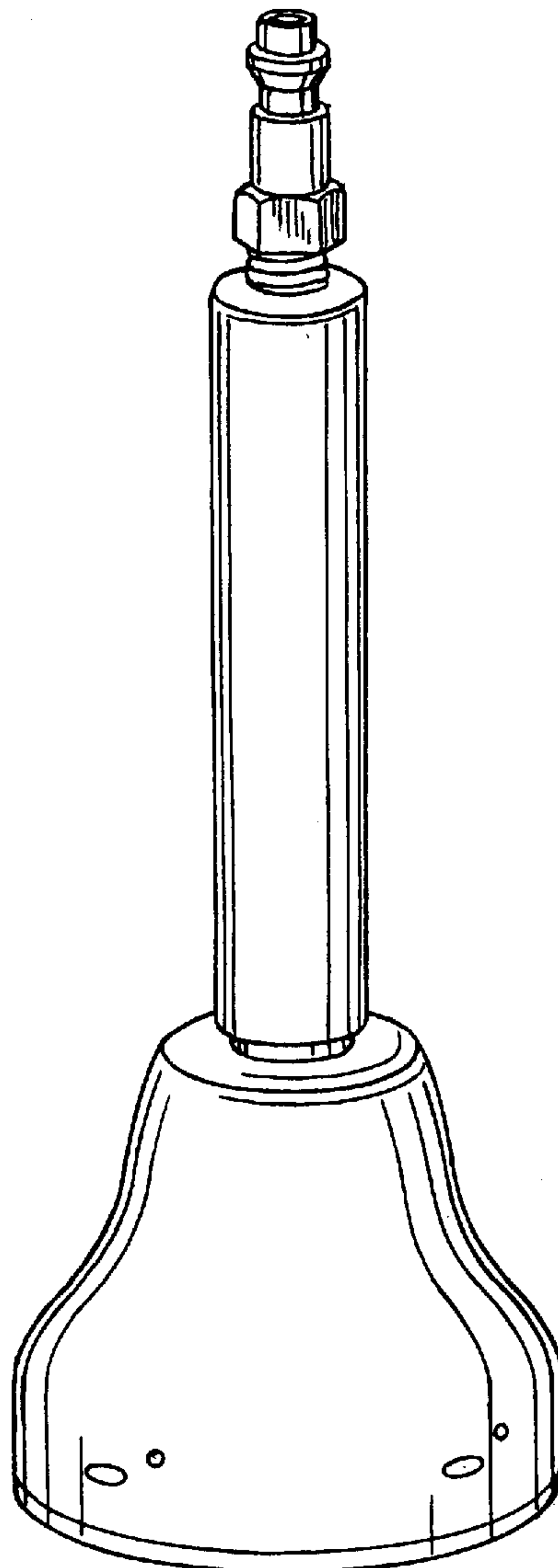
FIG. 1 is a perspective view of an air filter cleaning device showing my new design;  
FIG. 2 is a side elevational view thereof, all the sides being identical to that shown;  
FIG. 3 is a top plan view thereof; and,  
FIG. 4 is a bottom plan view thereof.

(56) **References Cited**

**U.S. PATENT DOCUMENTS**

3,733,639 5/1973 Timian .  
3,958,296 5/1976 Fell .

**1 Claim, 1 Drawing Sheet**



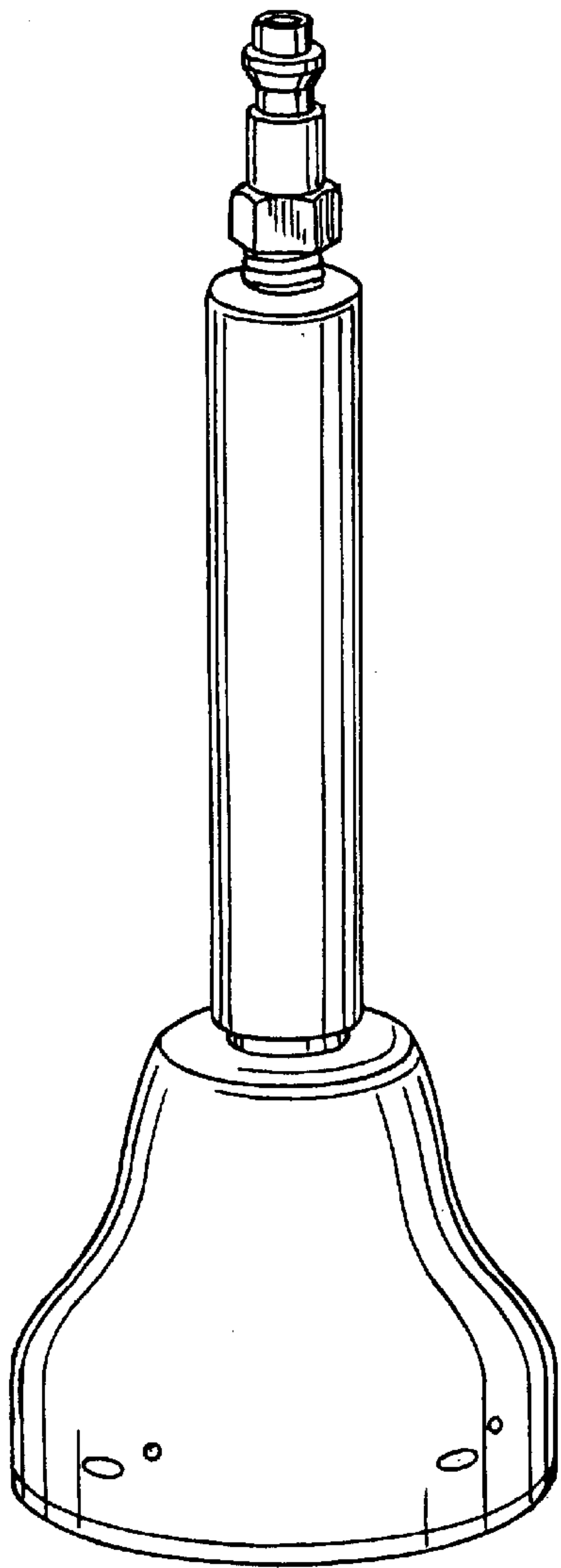


FIG. 1

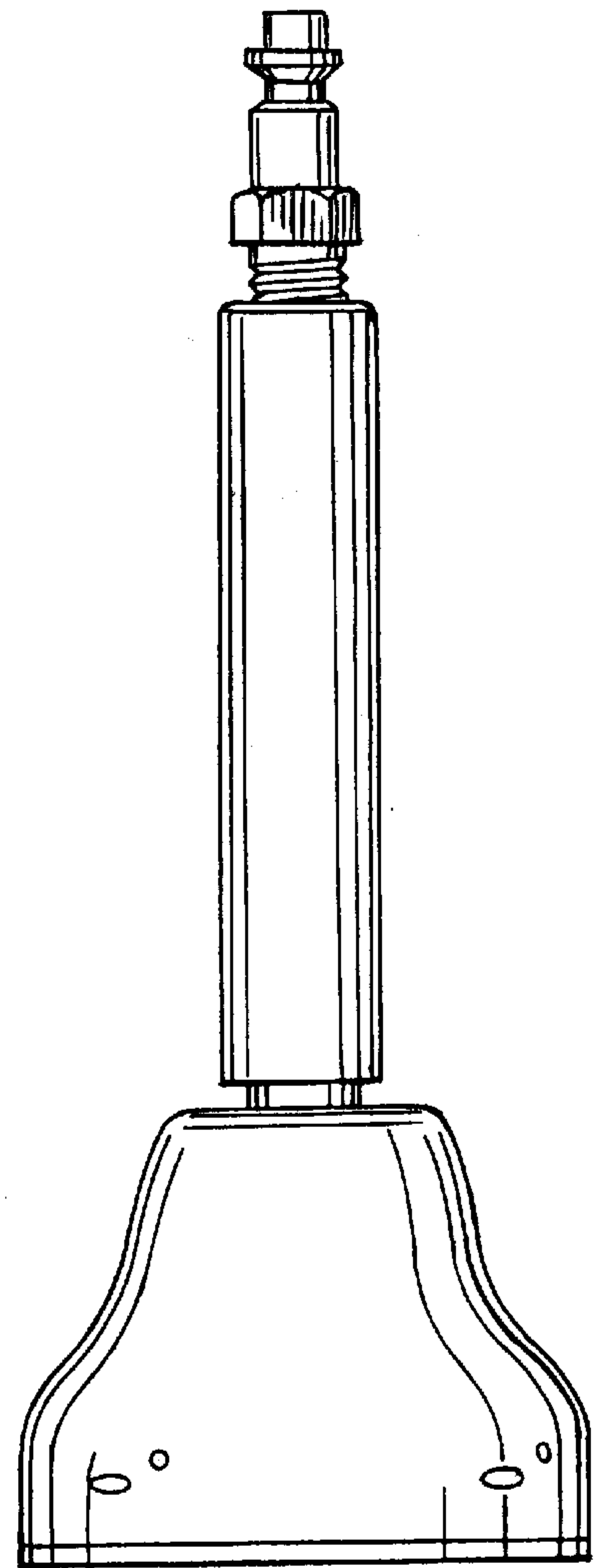


FIG. 2

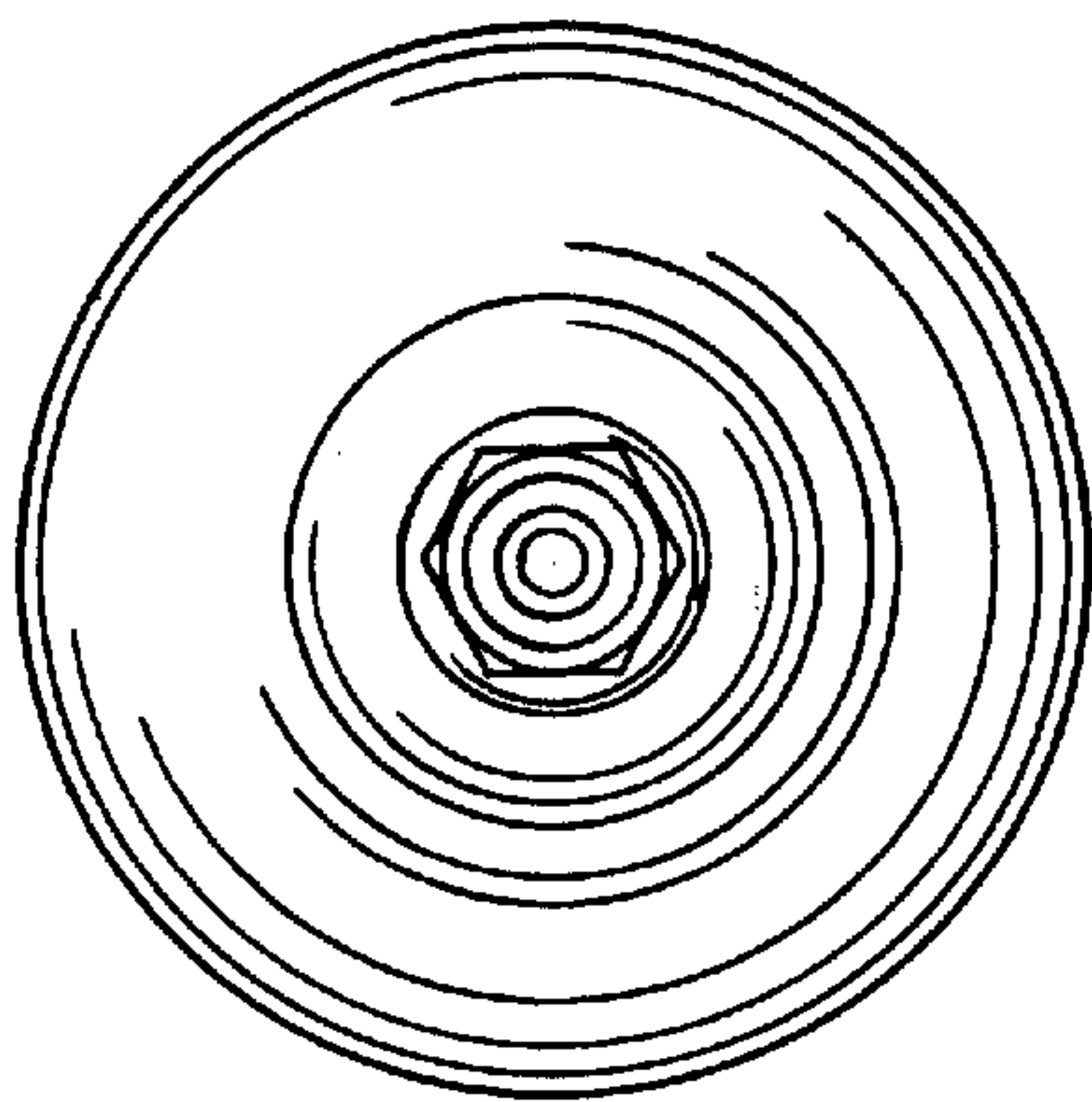


FIG. 3

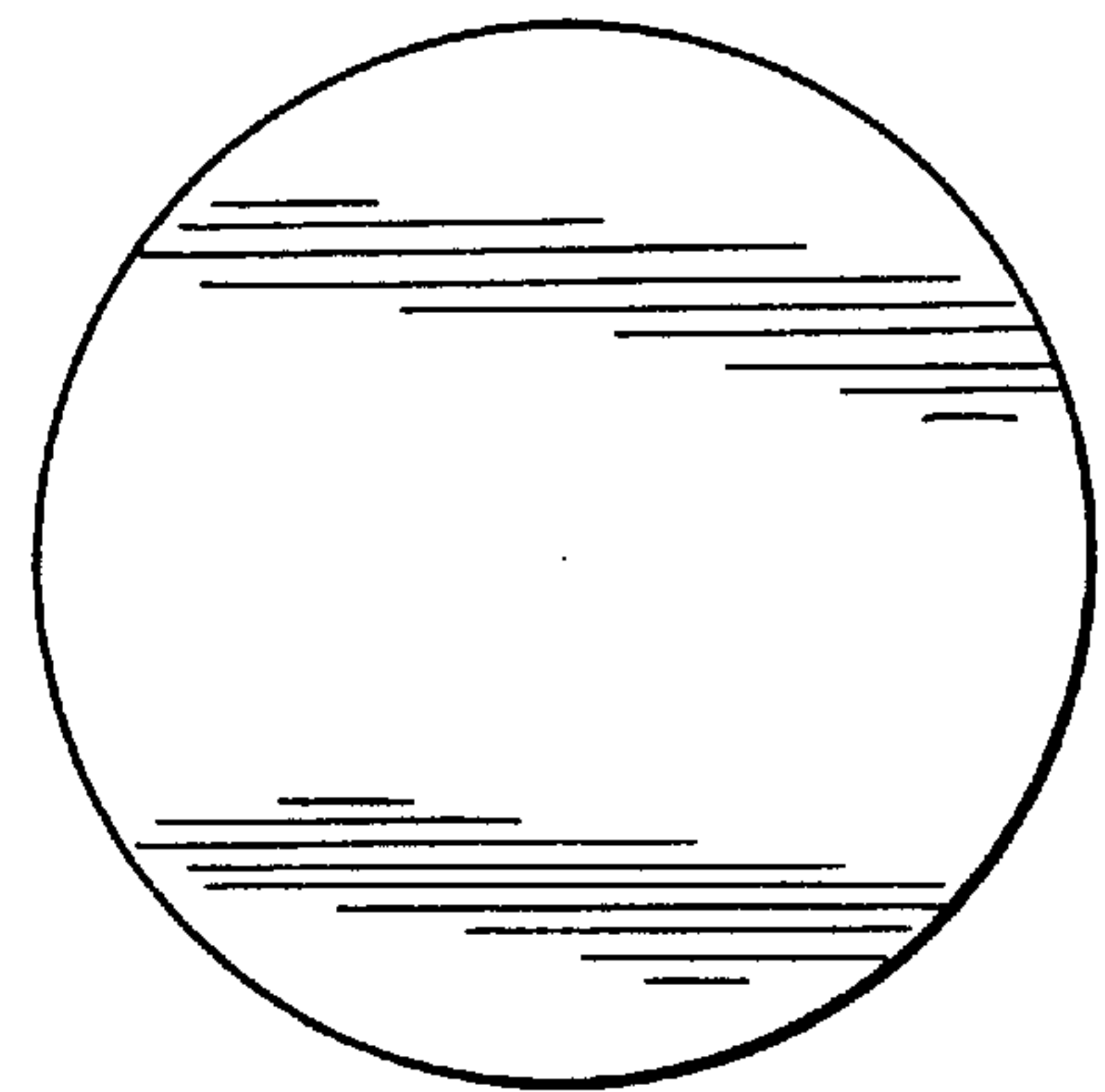


FIG. 4