



US00D439643S

(12) **United States Design Patent**  
Negrao et al.

(10) **Patent No.:** **US D439,643 S**

(45) **Date of Patent:** **\*\* Mar. 27, 2001**

(54) **FRONT PANEL FOR A ROOM AIR  
CONDITIONER**

D. 423,658 \* 4/2000 Negrao et al. .... D23/354  
5,184,475 \* 2/1993 Matsumi ..... 62/262  
5,315,842 \* 5/1994 Bolton et al. .... 62/262

(75) Inventors: **Rogério Ferreira Negrao; Anna Luiza  
Moraes de Sa Cavalcanti; Antonio  
Jorge Pietruza; Guilherme Nehring,**  
all of Joinville SC (BR)

\* cited by examiner

*Primary Examiner*—B. J. Bullock  
(74) *Attorney, Agent, or Firm*—Andrea Powers Denklau;  
Robert O. Rice; Joel M. Van Winkle

(73) Assignees: **Whirlpool Corporation,** Benton  
Harbor, MI (US); **Maltibras S.A.**  
**Eletrodomesticos,** Sao Paulo (BR)

(57) **CLAIM**

(\*\*) Term: **14 Years**

The ornamental design for a front panel for a room air  
conditioner, as shown and described.

(21) Appl. No.: **29/125,198**

**DESCRIPTION**

(22) Filed: **Jun. 20, 2000**

FIG. 1 is a perspective view of a front panel for a room air  
conditioner showing our new design.

(51) **LOC (7) Cl.** ..... **23-04**

FIG. 2 is an enlarged front elevational view of a front panel  
for a room air conditioner showing our new design.

(52) **U.S. Cl.** ..... **D23/354**

(58) **Field of Search** ..... D23/351-4, 333;  
312/236; 62/259.1, 259.4, 262, 263, 304,  
324.1, DIG. 16; 454/201, 202, 204

FIG. 3 is an enlarged top plan view of a front panel for a  
room air conditioner showing our new design; and,

FIG. 4 is an enlarged left side elevational view of a front  
panel for a room air conditioner showing our new design, the  
right side elevational view being a mirror image.

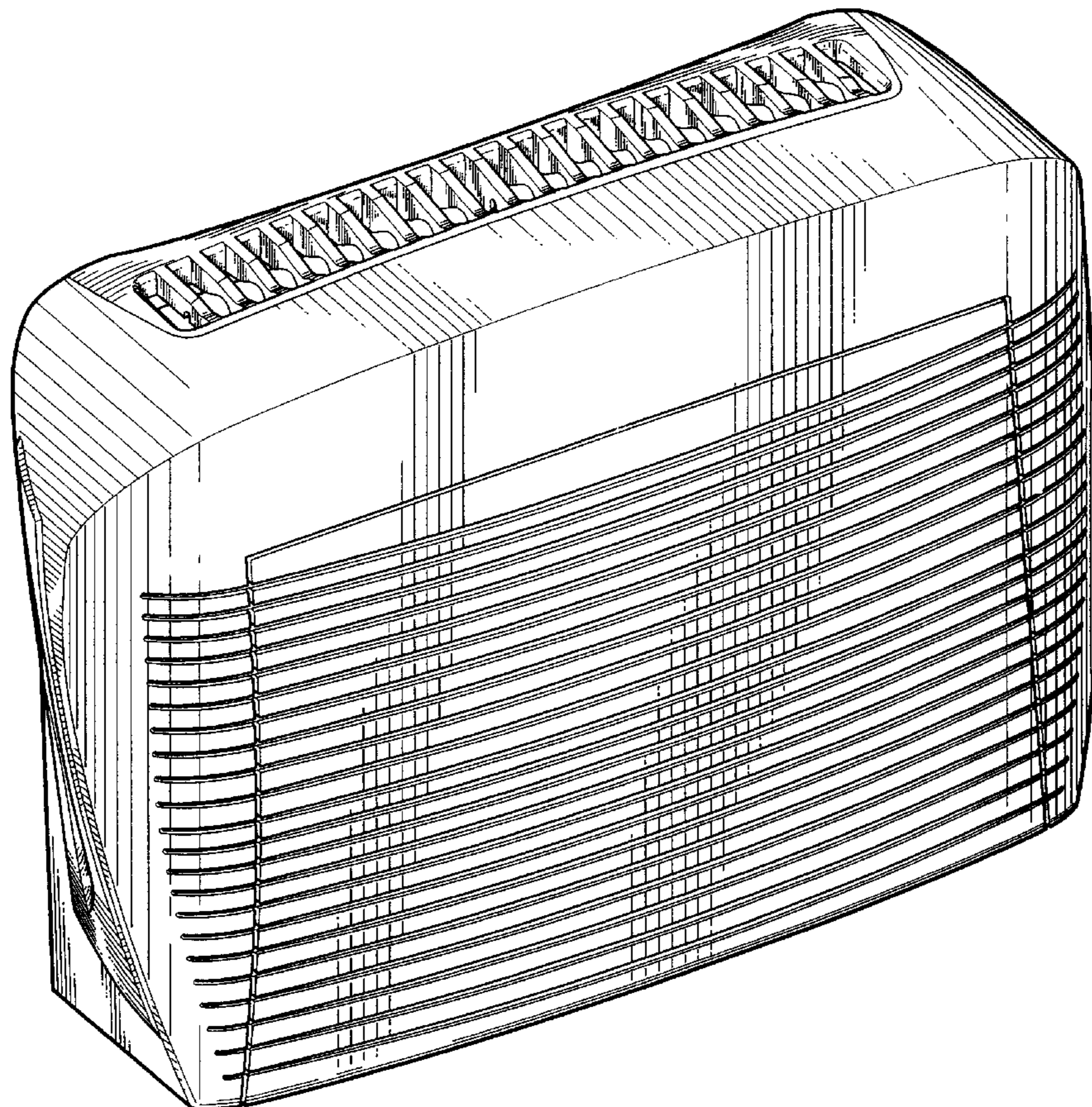
(56) **References Cited**

The bottom and rear of the front panel for a room air  
conditioner form no part of the claimed design.

**U.S. PATENT DOCUMENTS**

D. 154,605 \* 7/1949 Guild et al. .  
D. 342,781 \* 12/1993 Thompson et al. .... D23/354

**1 Claim, 3 Drawing Sheets**



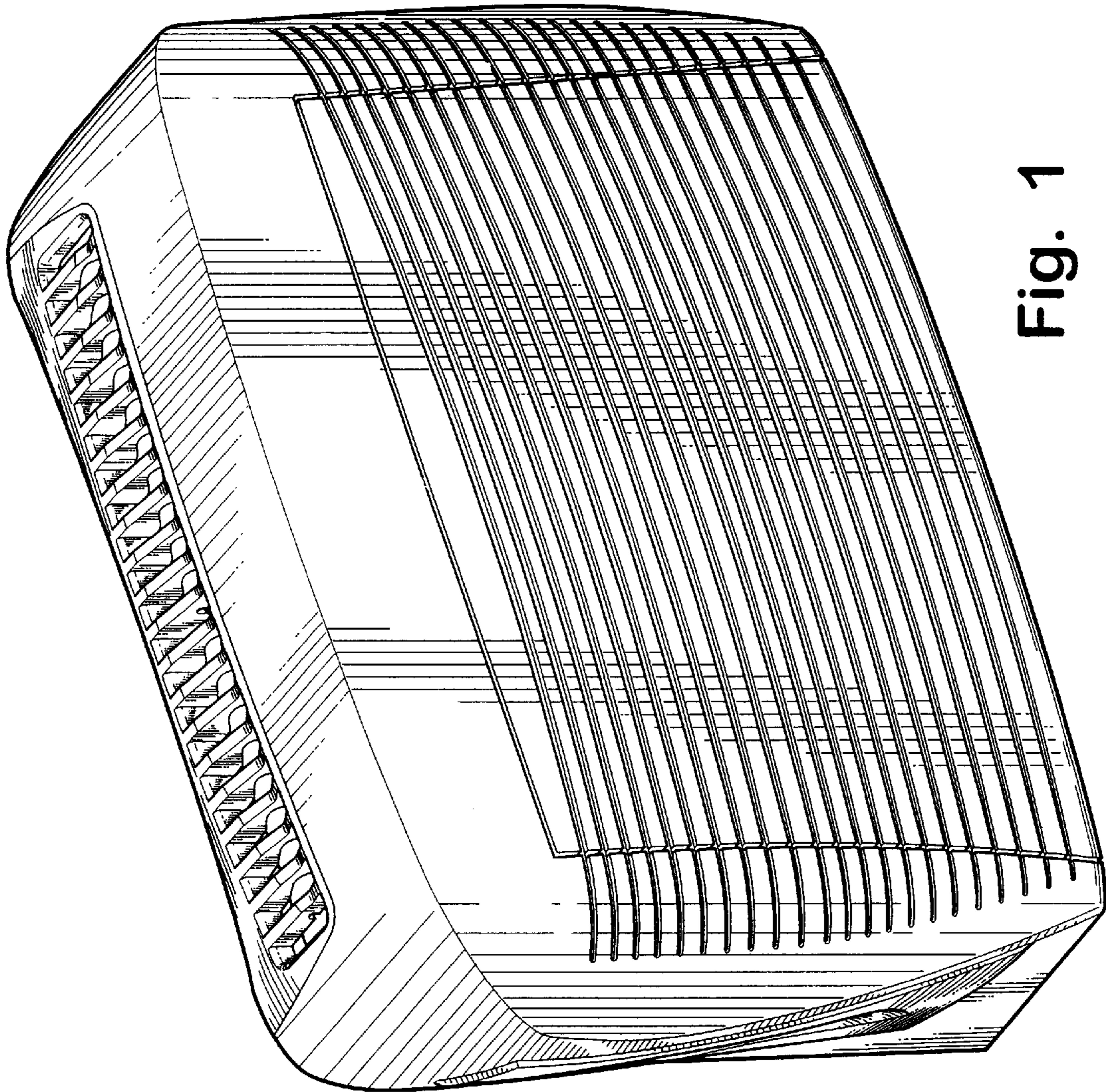


Fig. 1

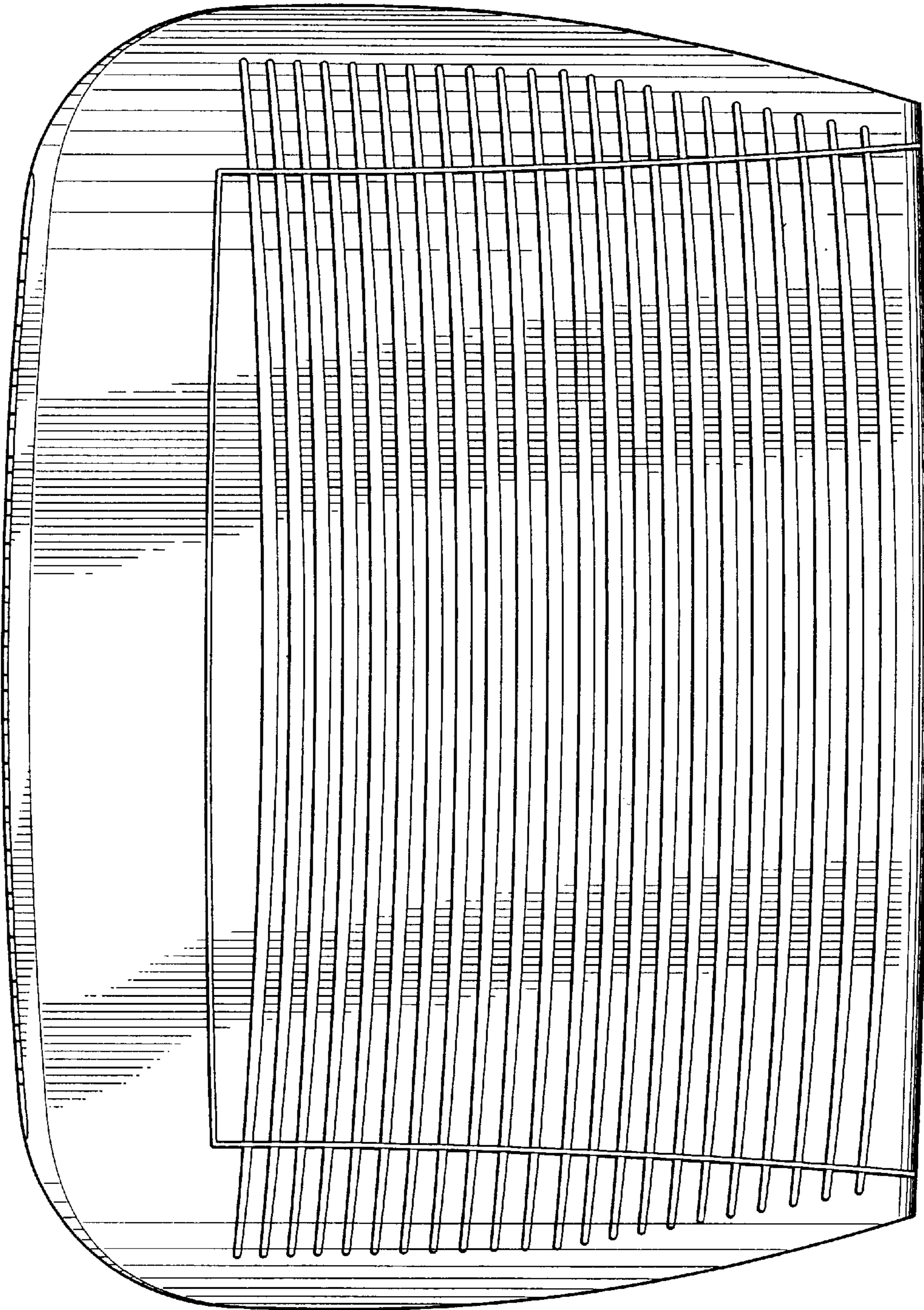


Fig. 2

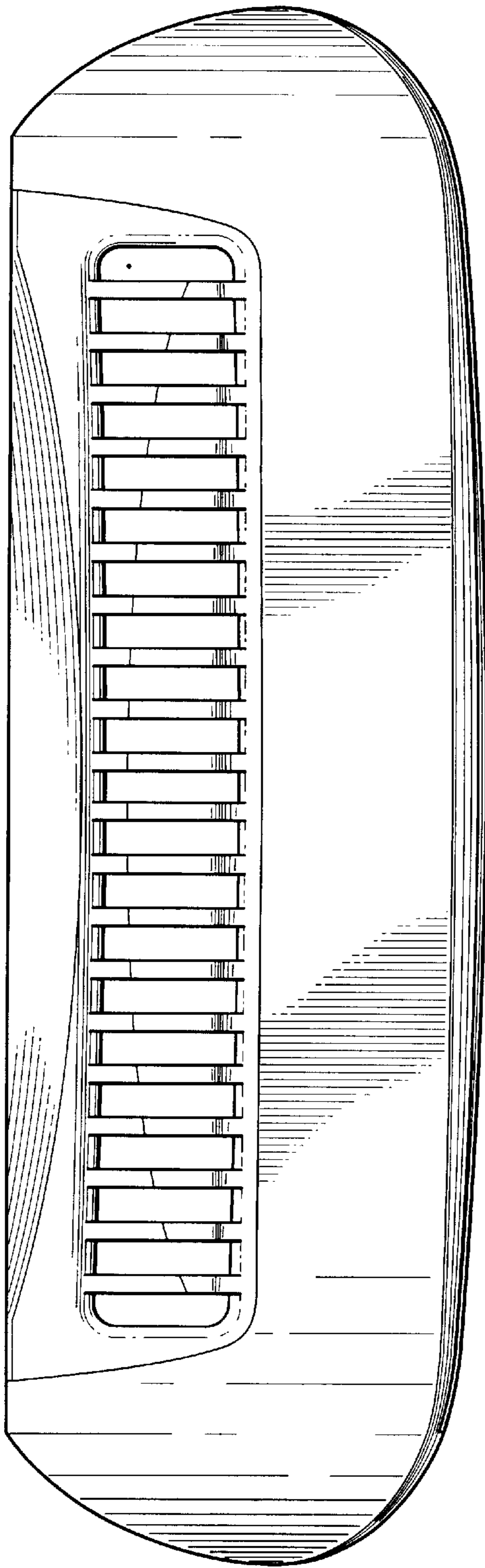


Fig. 3

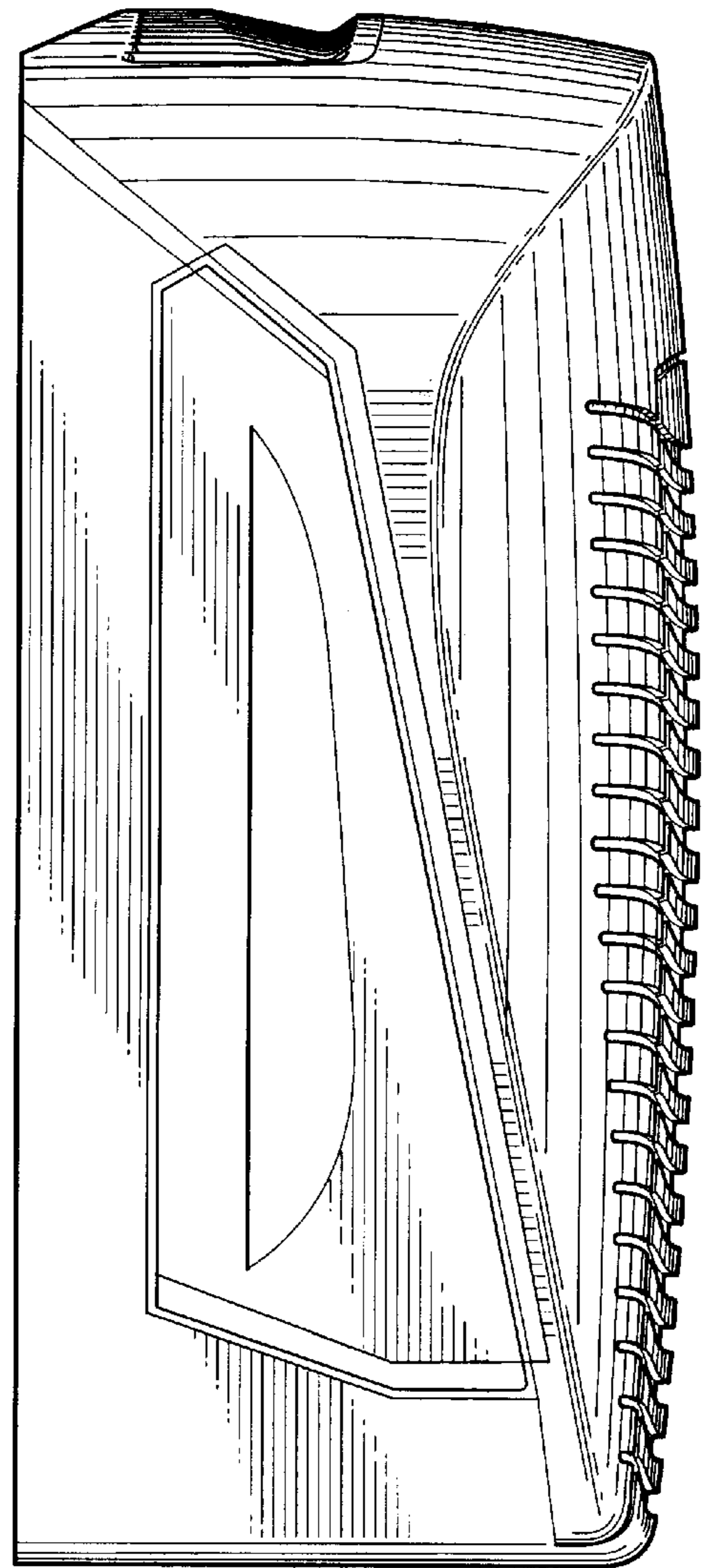


Fig. 4