



US00D439641S

(12) **United States Design Patent**
Dumas

(10) **Patent No.:** **US D439,641 S**

(45) **Date of Patent:** **** Mar. 27, 2001**

(54) **HEATER SUPPORT AND SPACER**

(76) Inventor: **Carl O. Dumas**, 10 Brookhead Ave.,
Beverly, MA (US) 01915

(**) Term: **14 Years**

(21) Appl. No.: **29/084,945**

(22) Filed: **Mar. 13, 1998**

(51) **LOC (7) Cl.** **23-03**

(52) **U.S. Cl.** **D23/341; D23/403; D25/126**

(58) **Field of Search** **D23/395, 403,**
D23/341, 330, 332; D8/354, 349, 382,
373; 248/300, 27.1; D12/223; D6/495,
496; D25/126, 38; D21/486; 482/104

(56) **References Cited**

U.S. PATENT DOCUMENTS

D. 288,509	*	3/1987	Van Der Oudeweetering	D6/496
D. 290,033	*	5/1987	Policastro	D21/691
D. 297,411	*	8/1988	Angel	D8/373
D. 306,690	*	3/1990	Bison	D8/373
D. 324,920	*	3/1992	Miller et al.	D25/126
D. 342,328	*	12/1993	Granstrom	D25/126
D. 356,351	*	3/1995	Watts	D21/691
4,799,673	*	1/1989	Selle	482/104

* cited by examiner

Primary Examiner—Philip S. Hyder
(74) *Attorney, Agent, or Firm*—Don Halgren

(57) **CLAIM**

The ornamental design for a heater support and spacer, as shown and described.

DESCRIPTION

FIG. 1 is a perspective view of a heater support and spacer showing my new design, wherein the broken line showing of the heater arrangement and wall is for illustrative purposes only and forms no part of the claimed design;

FIG. 2 is a side elevational view of the left side of the heater support and spacer;

FIG. 3 is an elevational view of the front side of the heater support and spacer;

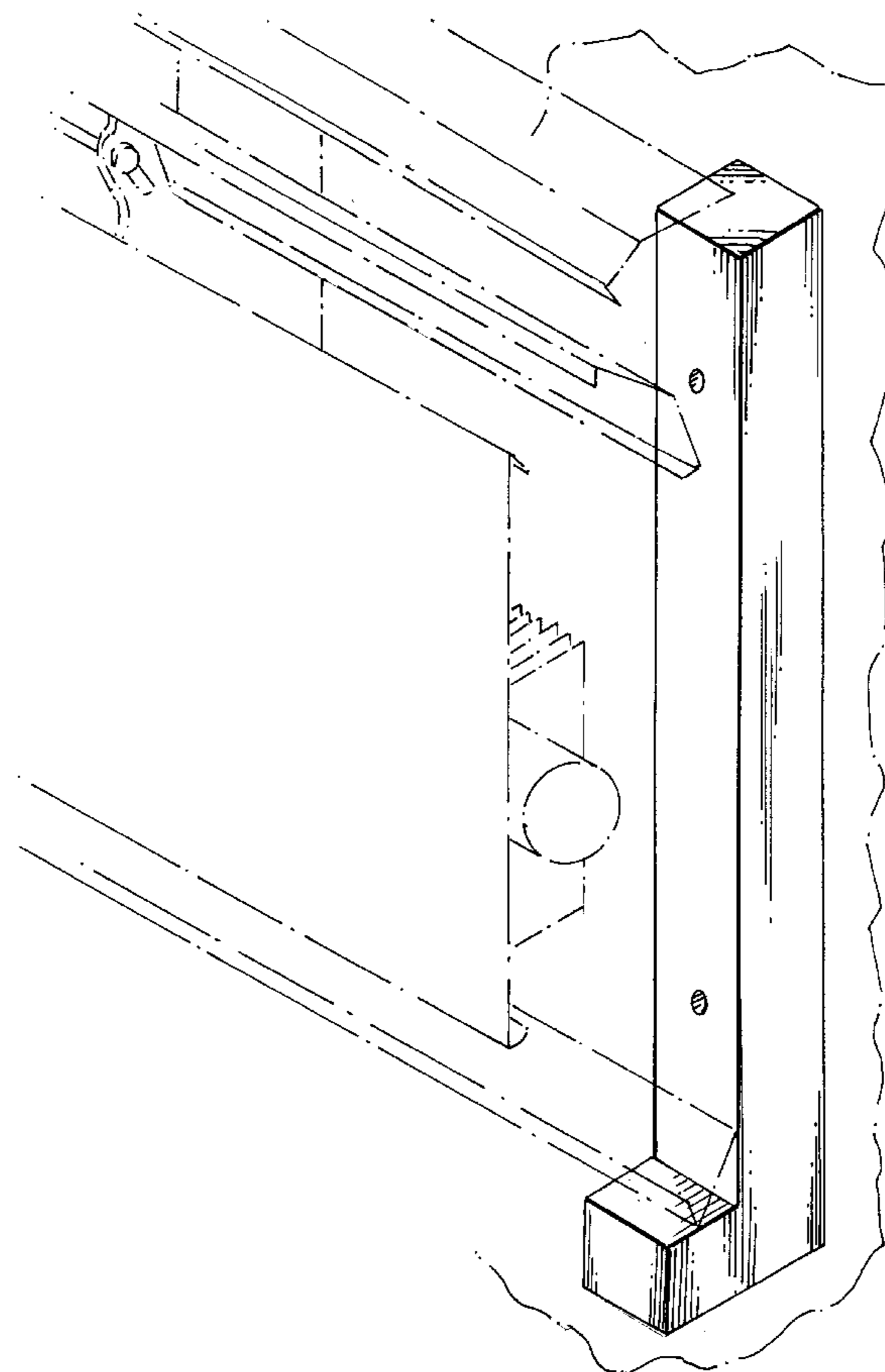
FIG. 4 is an elevational view of the rear side of the heater support and spacer;

FIG. 5 is a side elevational view of the right side of the heater support and spacer;

FIG. 6 is a plan view of the heater support and spacer; and,

FIG. 7 is a bottom view of the heater support and spacer.

1 Claim, 2 Drawing Sheets



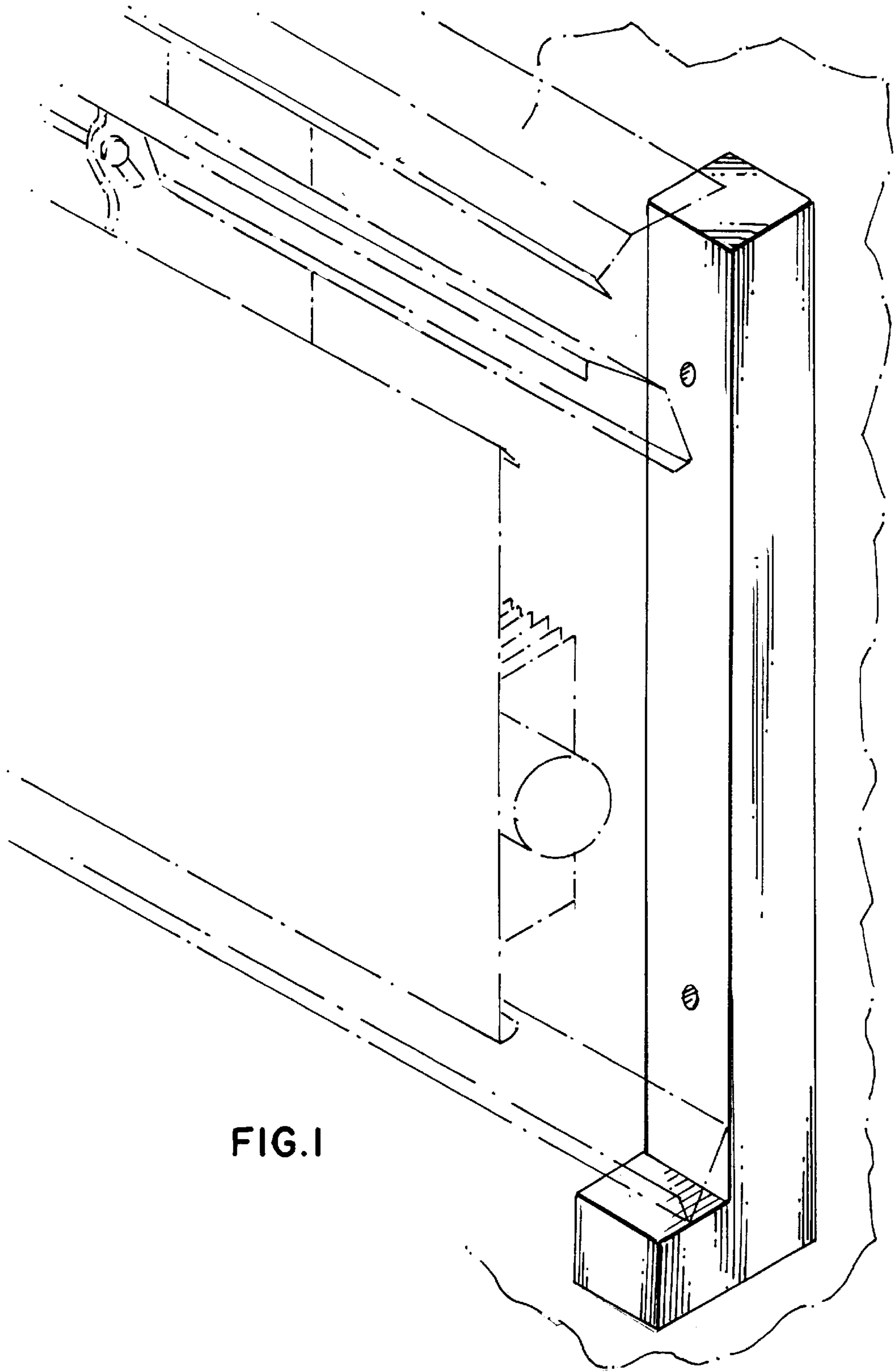


FIG. 1

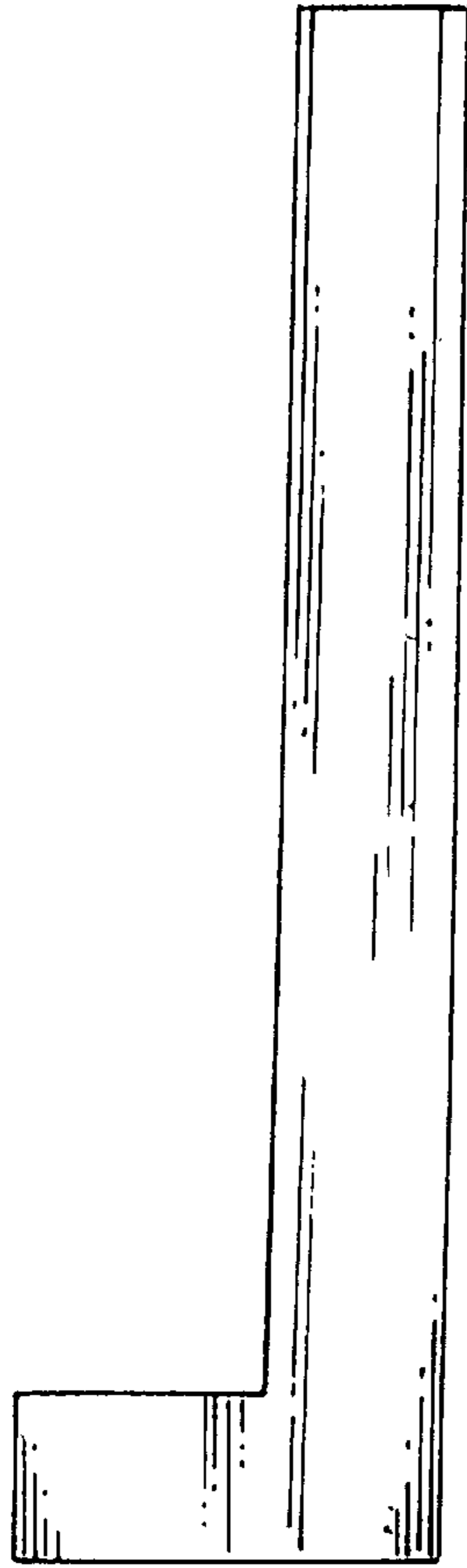


FIG. 2



FIG. 3



FIG. 4

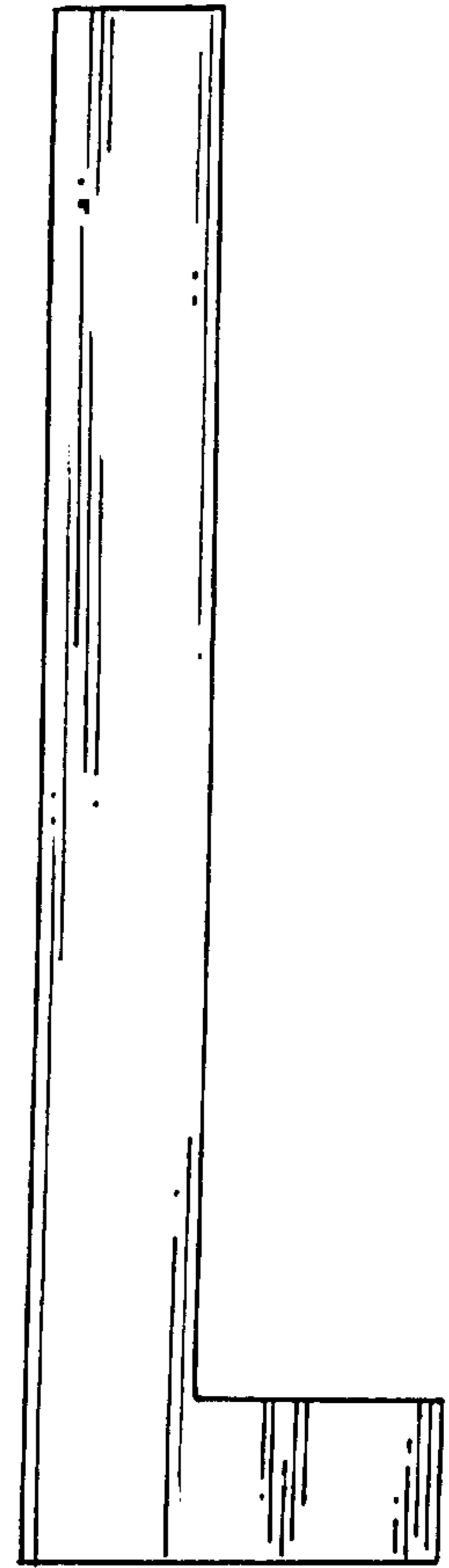


FIG. 5

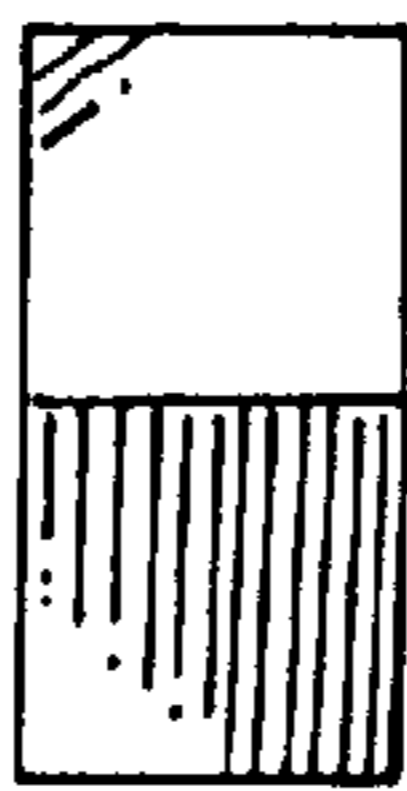


FIG. 6

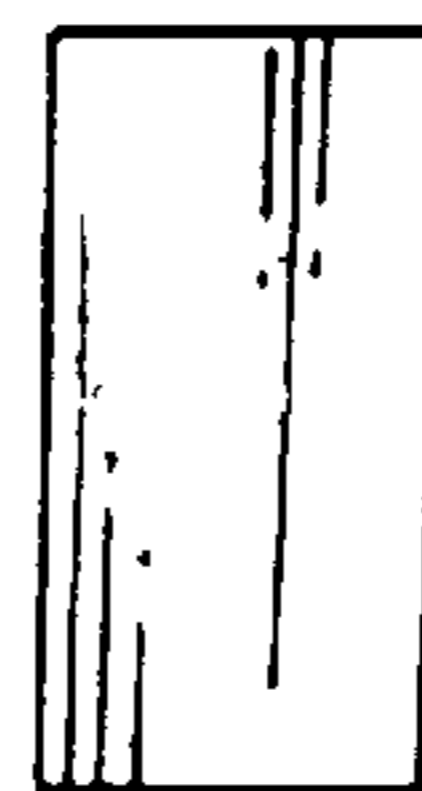


FIG. 7