



US00D439639S

(12) **United States Design Patent**
Cardwell et al.

(10) **Patent No.:** **US D439,639 S**
(45) **Date of Patent:** **** Mar. 27, 2001**

(54) **TOILET BOWL**
(75) Inventors: **Troy Cardwell**, Cottage Grove; **Scott Cardwell**, Eugene, both of OR (US)
(73) Assignee: **Better Lifestyles, Inc.**, Eugene, OR (US)
(**) Term: **14 Years**
(21) Appl. No.: **29/121,658**
(22) Filed: **Apr. 10, 2000**
(51) **LOC (7) Cl.** **23-02**
(52) **U.S. Cl.** **D23/295**
(58) **Field of Search** D23/273, 295,
D23/296-301, 303, 309-313; 4/253, 300,
328, 329, 252.1, 245.1, 419, 420, 443,
444, 446, 901-902

3,896,509 7/1975 Stipp .
3,938,201 2/1976 McGrew .
3,967,545 7/1976 Baker .
3,999,225 12/1976 Ables .
4,007,498 2/1977 Pearson .
4,103,370 8/1978 Arnold .
4,125,906 11/1978 Weiland .
4,165,544 8/1979 Barry .
4,175,293 11/1979 Stephens .
4,200,940 5/1980 Buchanan .
4,222,129 9/1980 Baker .
4,232,406 11/1980 Beeghly .
4,251,888 2/1981 Turner .
4,402,091 9/1983 Ellis .
4,556,999 12/1985 Lindley .
4,882,790 11/1989 Ricard .
4,893,359 1/1990 Vu et al. .
4,933,995 6/1990 Canon .
4,993,083 2/1991 Lemieux .
5,029,346 7/1991 Fernald .
5,079,782 1/1992 Sim .
5,167,039 12/1992 Sim .
5,170,512 12/1992 Prisco .
5,253,371 10/1993 Slawinski .
5,259,072 11/1993 Trombley .
5,321,856 6/1994 Gastesi .
6,108,826 * 8/2000 Hayashi et al. 4/252.1

(56) **References Cited**
U.S. PATENT DOCUMENTS

D. 99,800 * 4/1936 Hobbs D23/301
D. 311,057 * 10/1990 Stairs, Jr. D23/295
D. 355,709 * 2/1995 Osada D23/295
D. 406,329 * 3/1999 Kawamura et al. D23/309
474,682 5/1892 O'Brien .
625,125 5/1899 Scutt .
1,061,522 5/1913 Bruder .
1,213,113 1/1917 Lange, Jr. .
1,261,561 4/1918 Landmann .
1,424,955 8/1922 Van Eck .
1,563,691 12/1925 DeCola .
1,955,579 4/1934 DeMalaussene .
2,058,436 10/1936 Friel .
2,094,302 9/1937 Priess .
2,240,094 4/1941 Foreman .
2,452,282 10/1948 Auer .
3,064,274 11/1962 Gleason .
3,192,539 7/1965 Martz .
3,332,089 7/1967 Wilton .
3,333,285 8/1967 Null .
3,359,884 12/1967 Statter .
3,600,724 8/1971 Stamper .
3,763,505 10/1973 Zimmerman .
3,805,304 4/1974 Ikehata .
3,824,637 7/1974 Hunnicutt .

* cited by examiner
Primary Examiner—Louis S. Zarfes
Assistant Examiner—Robert A. Delehanty
(74) *Attorney, Agent, or Firm*—Klarquist Sparkman
Campbell Leigh & Winston, LLP

(57) **CLAIM**
The ornamental design for a toilet bowl, as shown and described.

DESCRIPTION
FIG. 1 is a top perspective view of a toilet bowl showing our new design;
FIG. 2 is a front elevational view;
FIG. 3 is a back elevational view;
FIG. 4 is a top view;
FIG. 5 is a right elevational view, a left elevational view being a mirror image thereof; and,
FIG. 6 is a bottom plan view.

1 Claim, 2 Drawing Sheets

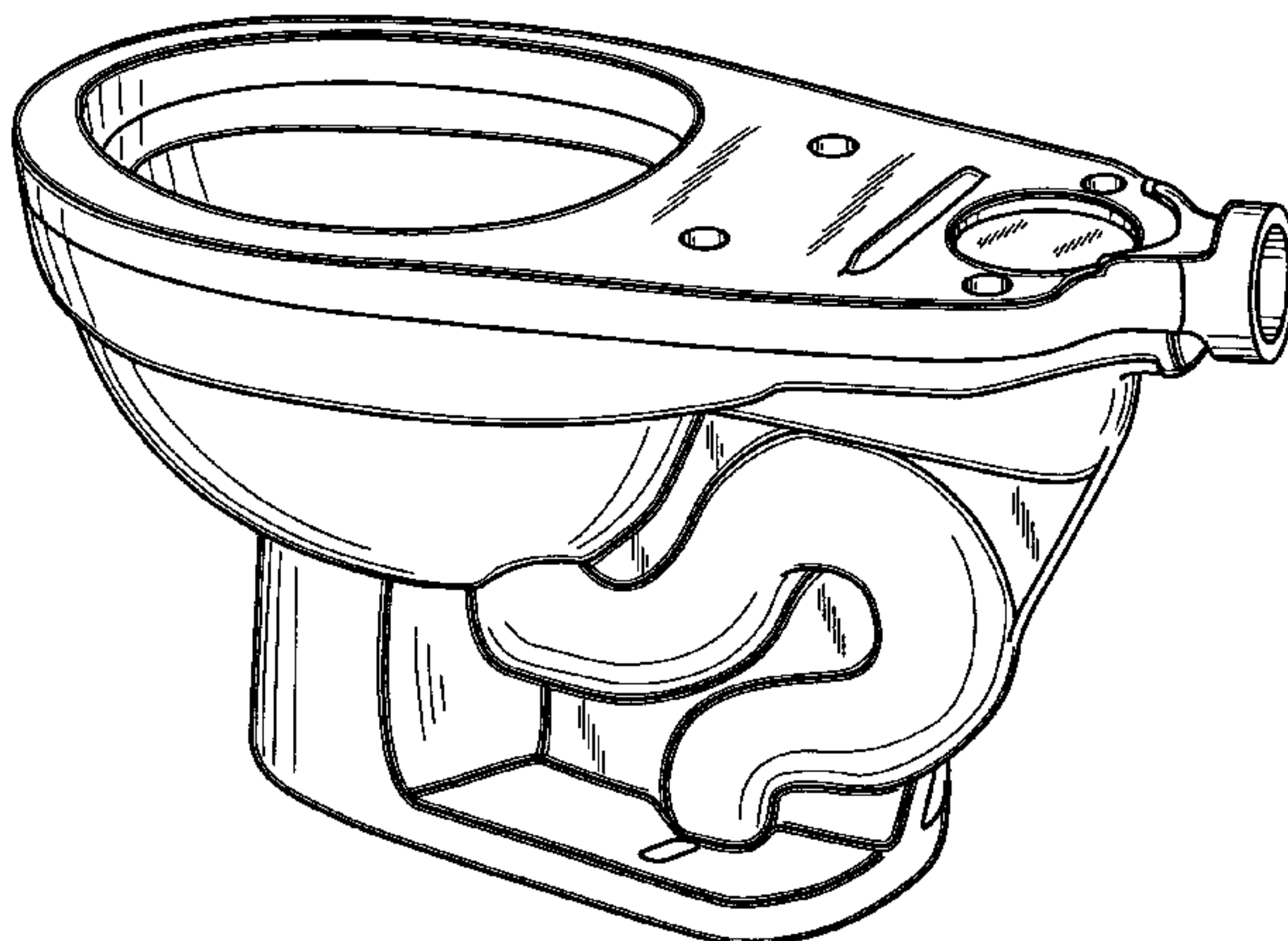


FIG. 1

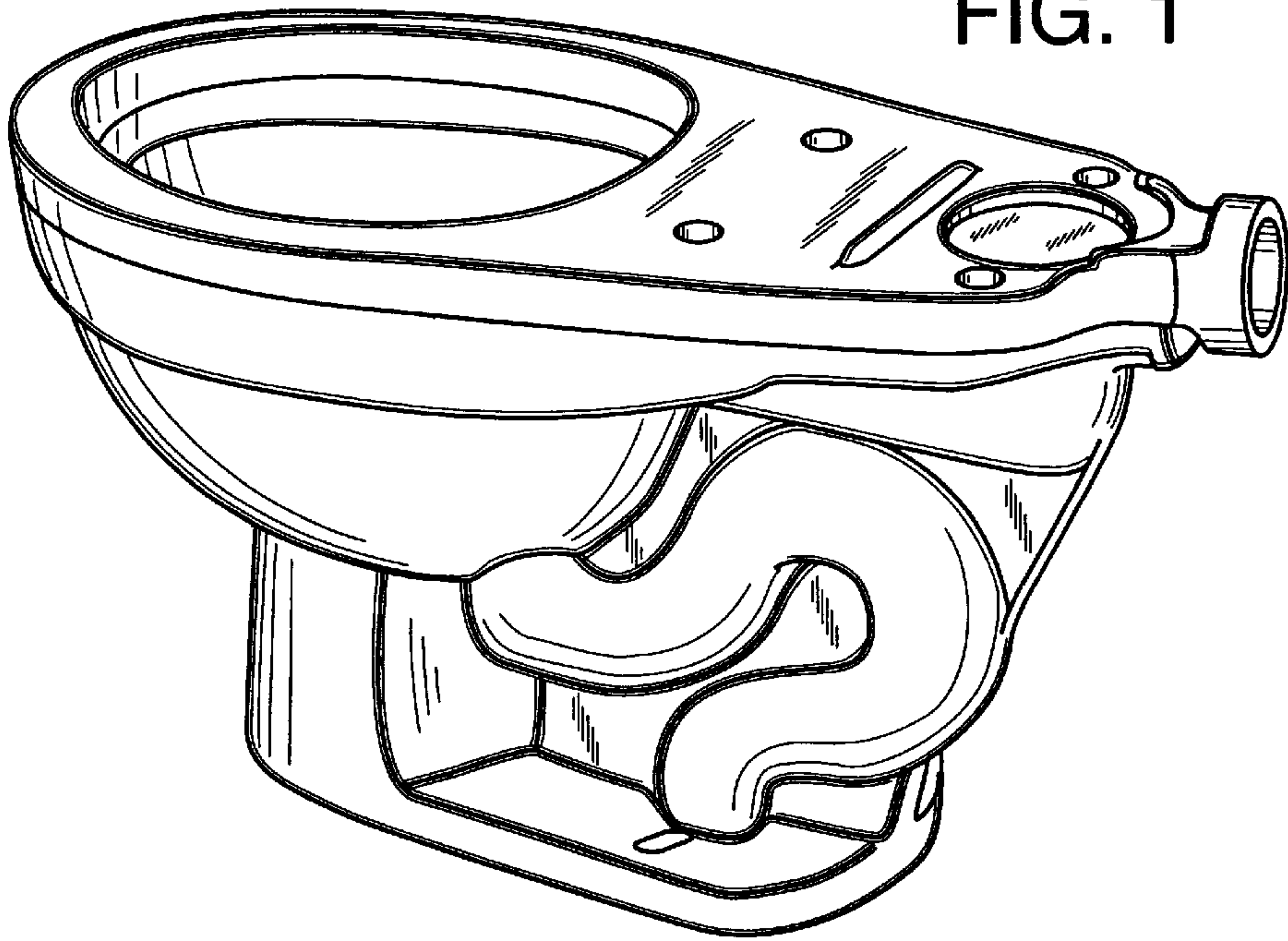


FIG. 2

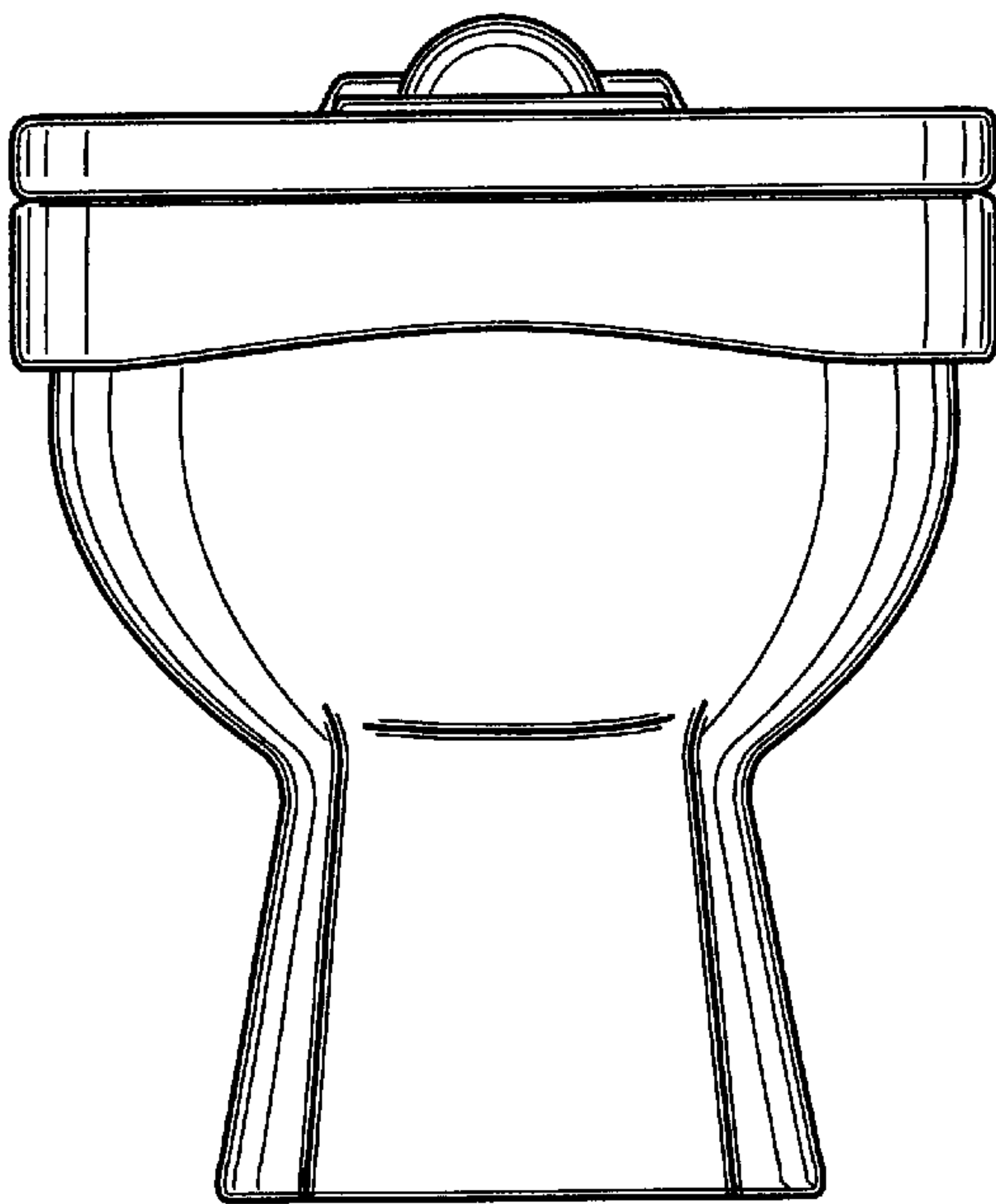


FIG. 3

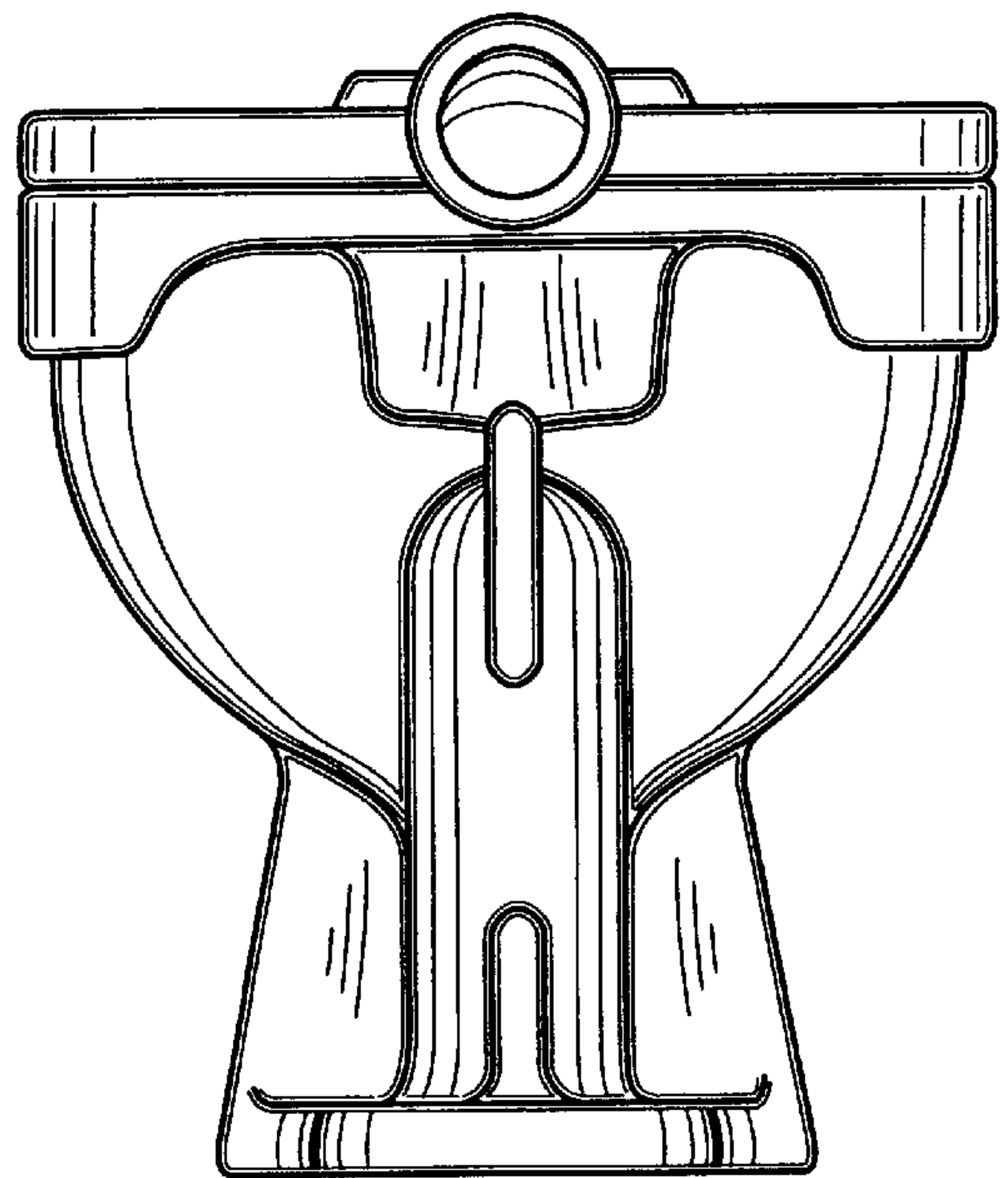


FIG. 4

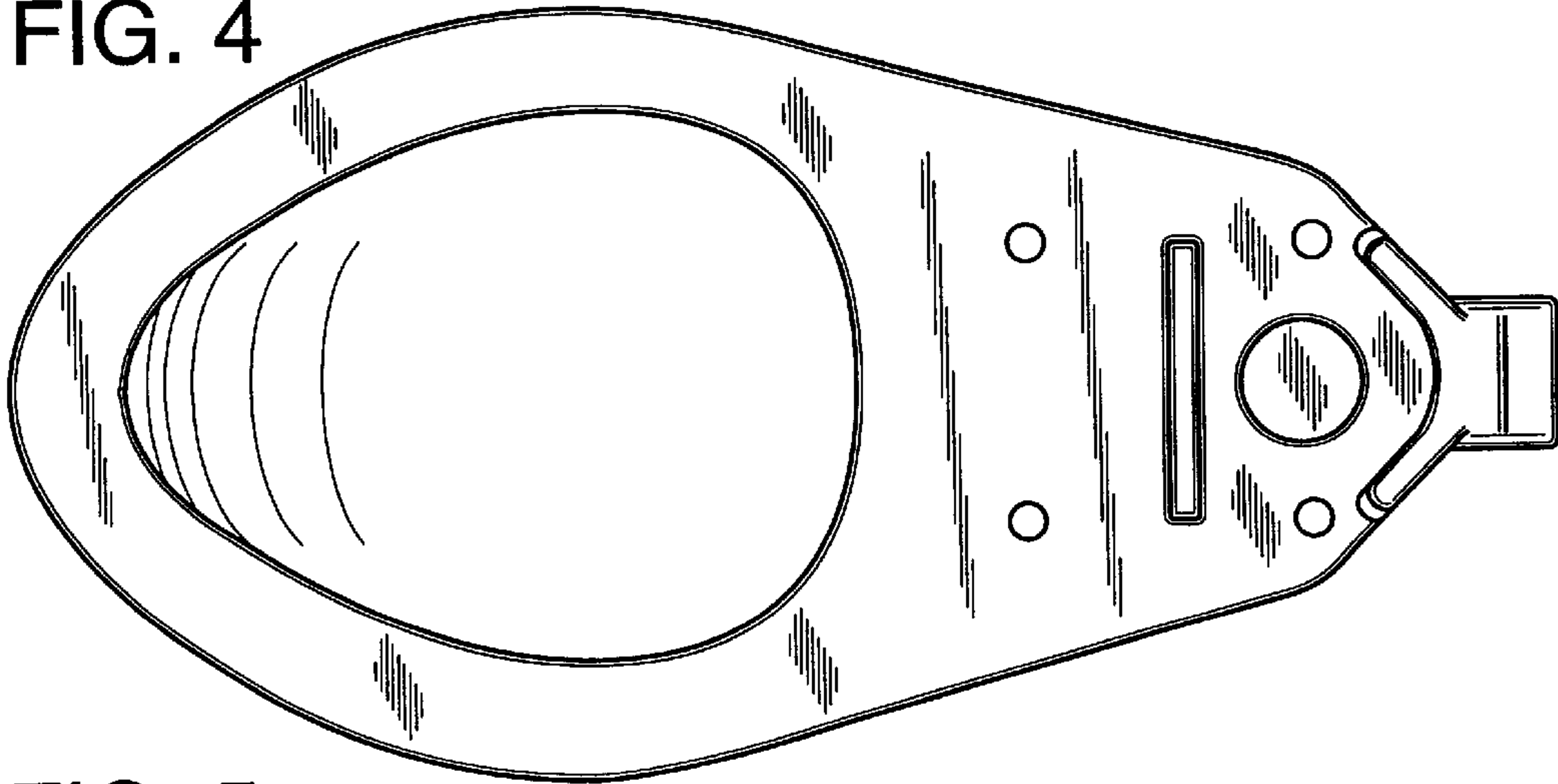


FIG. 5

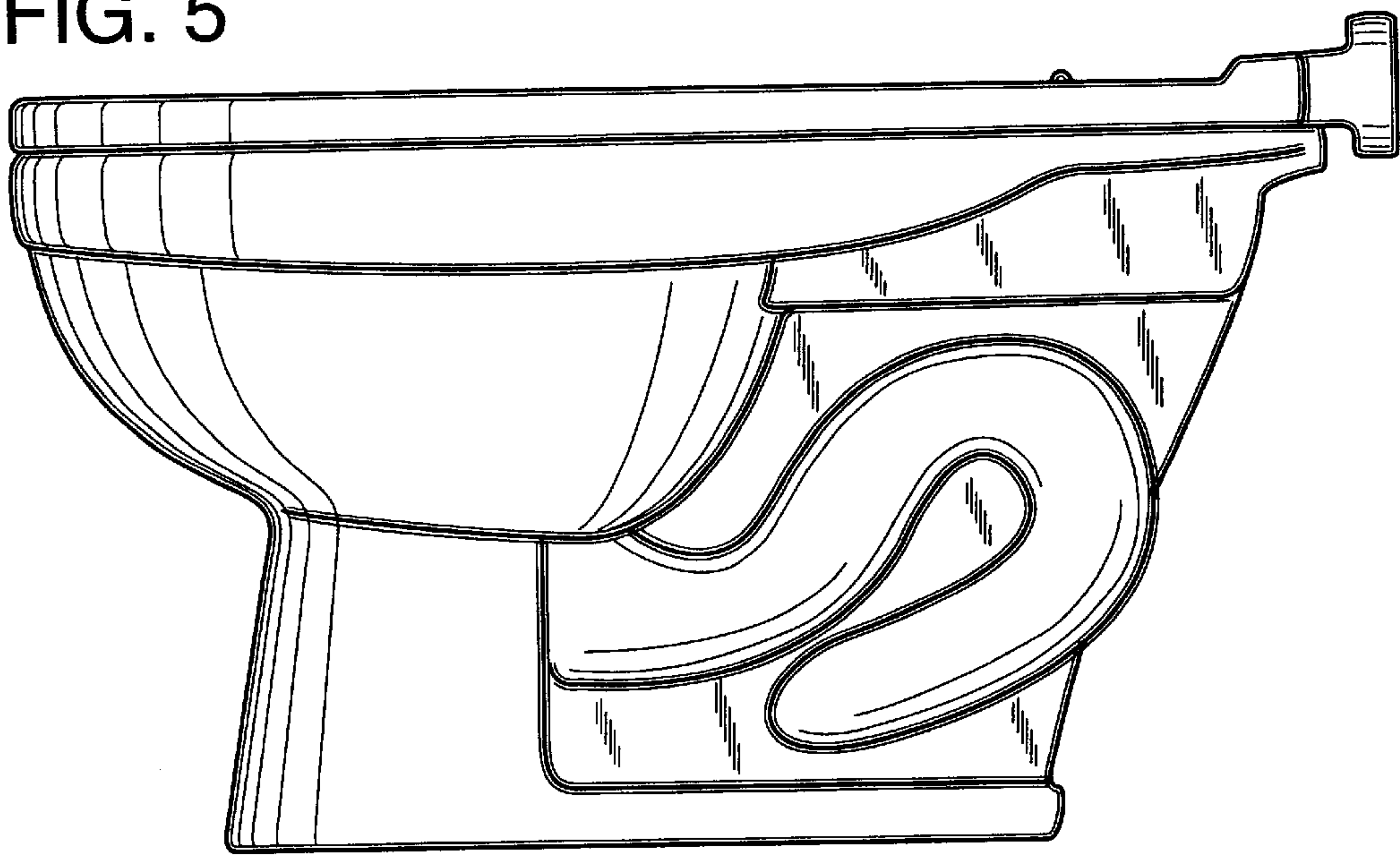


FIG. 6

