



US00D439638S

(12) **United States Design Patent**
Hundley

(10) **Patent No.:** **US D439,638 S**

(45) **Date of Patent:** **** Mar. 27, 2001**

(54) **WATER CLOSET**

(75) Inventor: **Jill E. Hundley**, Sheboygan, WI (US)

(73) Assignee: **Kohler Co.**, Kohler, WI (US)

(**) Term: **14 Years**

(21) Appl. No.: **29/121,406**

(22) Filed: **Apr. 6, 2000**

(51) **LOC (7) Cl.** **23-02**

(52) **U.S. Cl.** **D23/295**

(58) **Field of Search** D23/273, 295-301,
D23/303, 309-313; 4/253, 300, 321, 328-329,
245.1, 245.6, 353, 419, 420, 444, 446,
234, 236, 242.1, 901-902, 246.1, 246.3,
246.5, DIG. 8

(56) **References Cited**

U.S. PATENT DOCUMENTS

- D. 353,450 * 12/1994 Anderson et al. D23/301
- D. 399,294 * 10/1998 Kawamura et al. D23/301
- D. 407,150 * 3/1999 Sim D23/301
- D. 410,998 * 6/1999 Jones D23/301

OTHER PUBLICATIONS

1999 Kohler catalog ad, p. 15.9, showing a "Gabrielle" toilet, prior art status unknown.
 Undated American Standard ad showing a "Roma II" toilet.
 Undated Jacob Delafon catalog ad showing "Antares" toilets.

Undated Toto catalog ad showing an "Ultimate" toilet.
 Undated Toto catalog ad, p. 7, showing a one-piece toilet.
 Kohler Wellington Water Guard Toilet, K3415EB date unknown.

* cited by examiner

Primary Examiner—Louis S. Zarfes

Assistant Examiner—Robert A. Delehanty

(74) *Attorney, Agent, or Firm*—Quarles & Brady LLP

(57) **CLAIM**

The ornamental design for a water closet, as shown and described.

DESCRIPTION

In a preferred embodiment, the nature of this product is as a plumbing fixture primarily useful for receiving the solid and liquid waste of humans.

FIG. 1 is a top, left, front perspective view of a water closet embodying my new design;

FIG. 2 is a front elevational view thereof;

FIG. 3 is a left side elevational view thereof;

FIG. 4 is a right side elevational view thereof;

FIG. 5 is a top plan view thereof; and,

FIG. 6 is a bottom plan view thereof.

The broken line representations of holes in FIGS. 1, 3, 5, and 6, of a cap in FIGS. 1, 3, and 4, and of mounting structure in FIG. 6, are for the purpose of illustration only, and form no part of the claimed design.

1 Claim, 3 Drawing Sheets

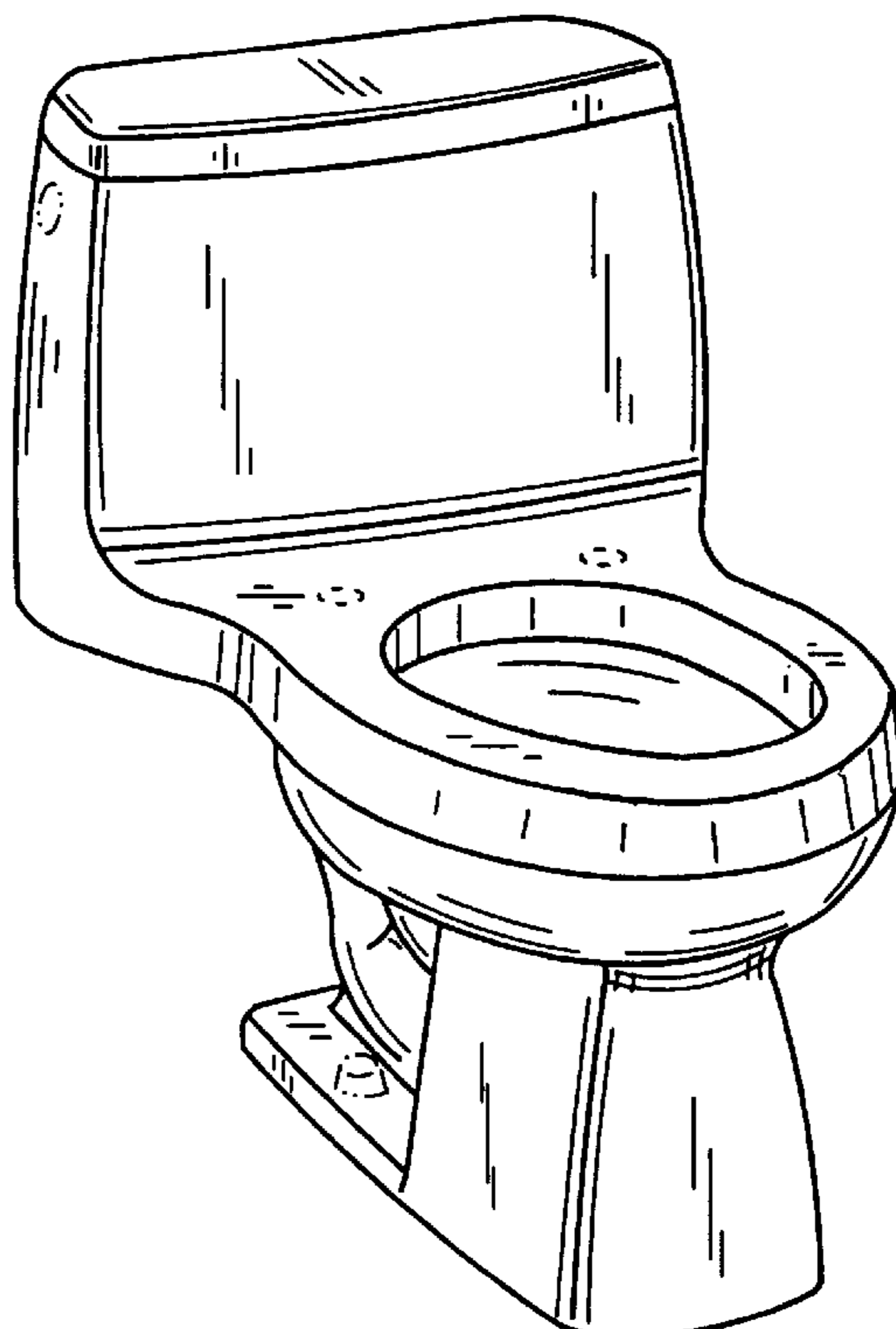


FIG. 1

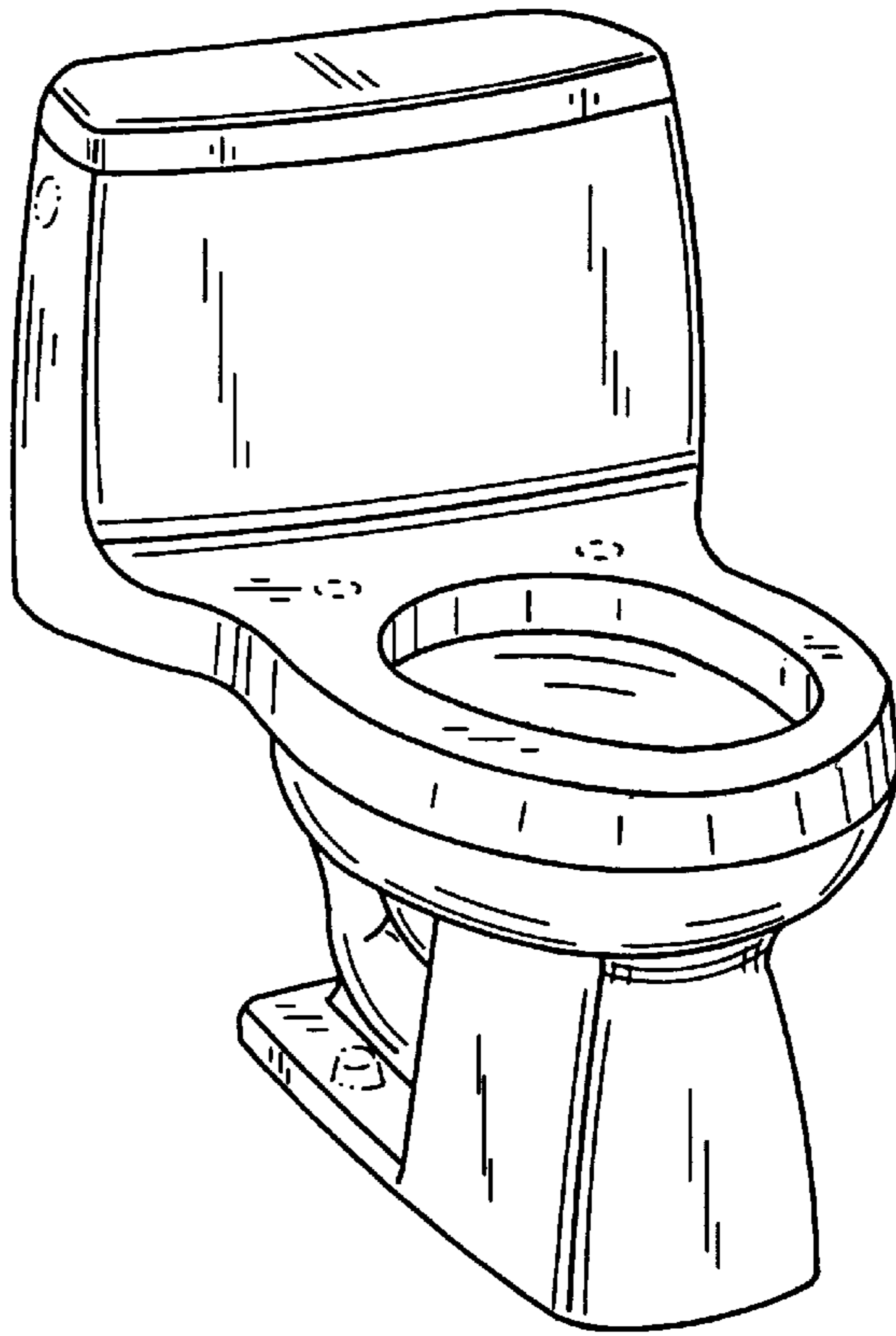
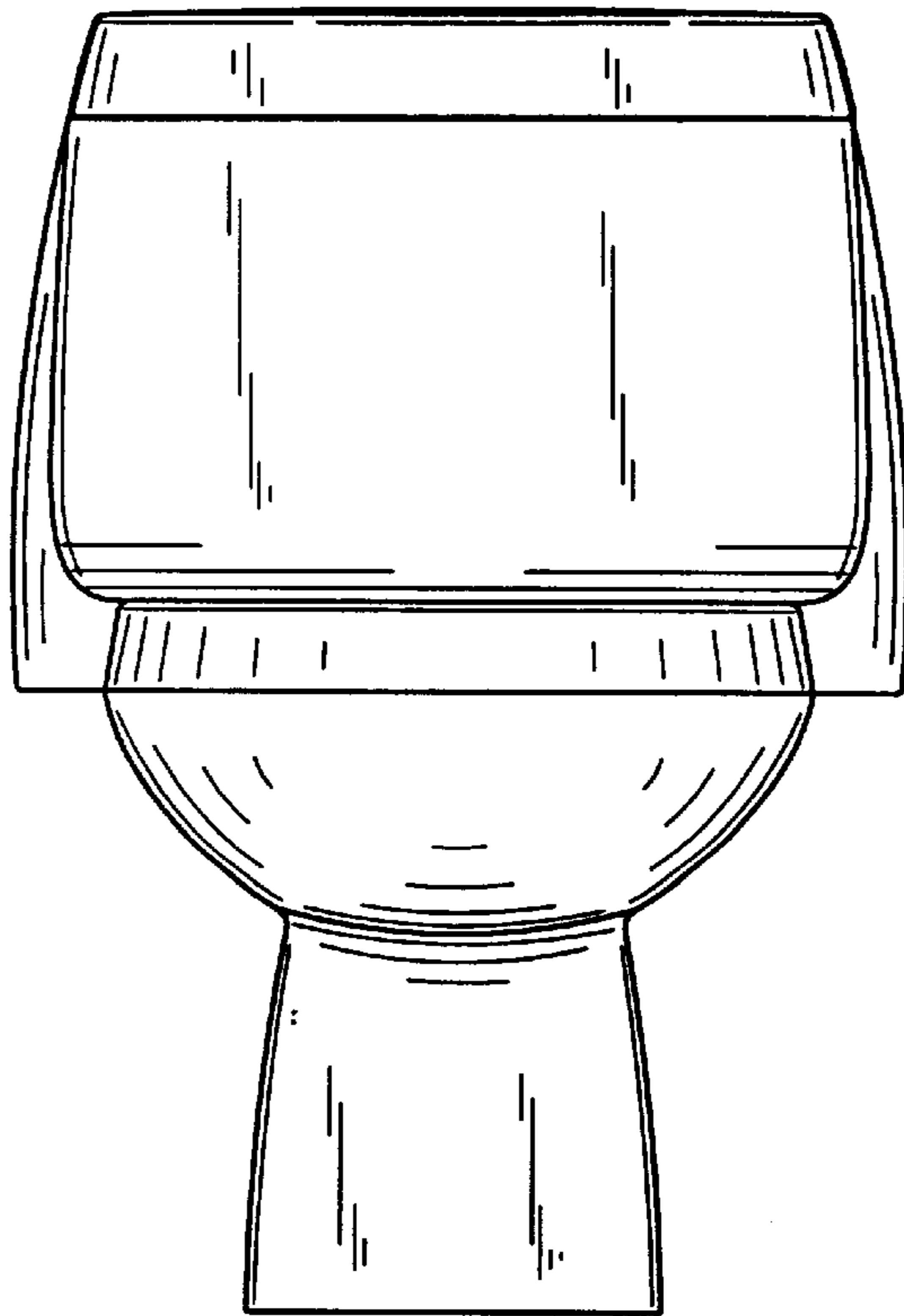


FIG. 2



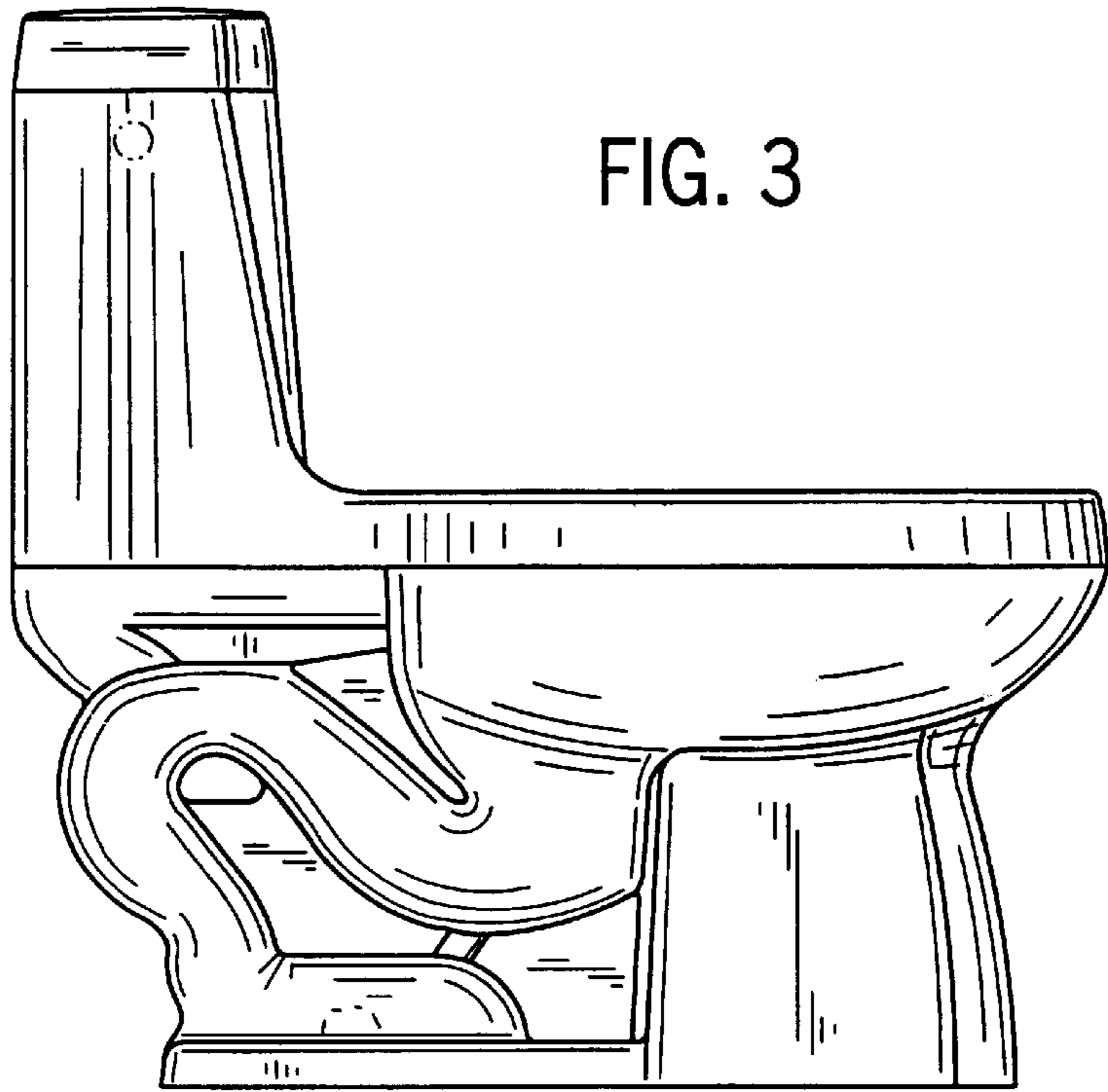


FIG. 3

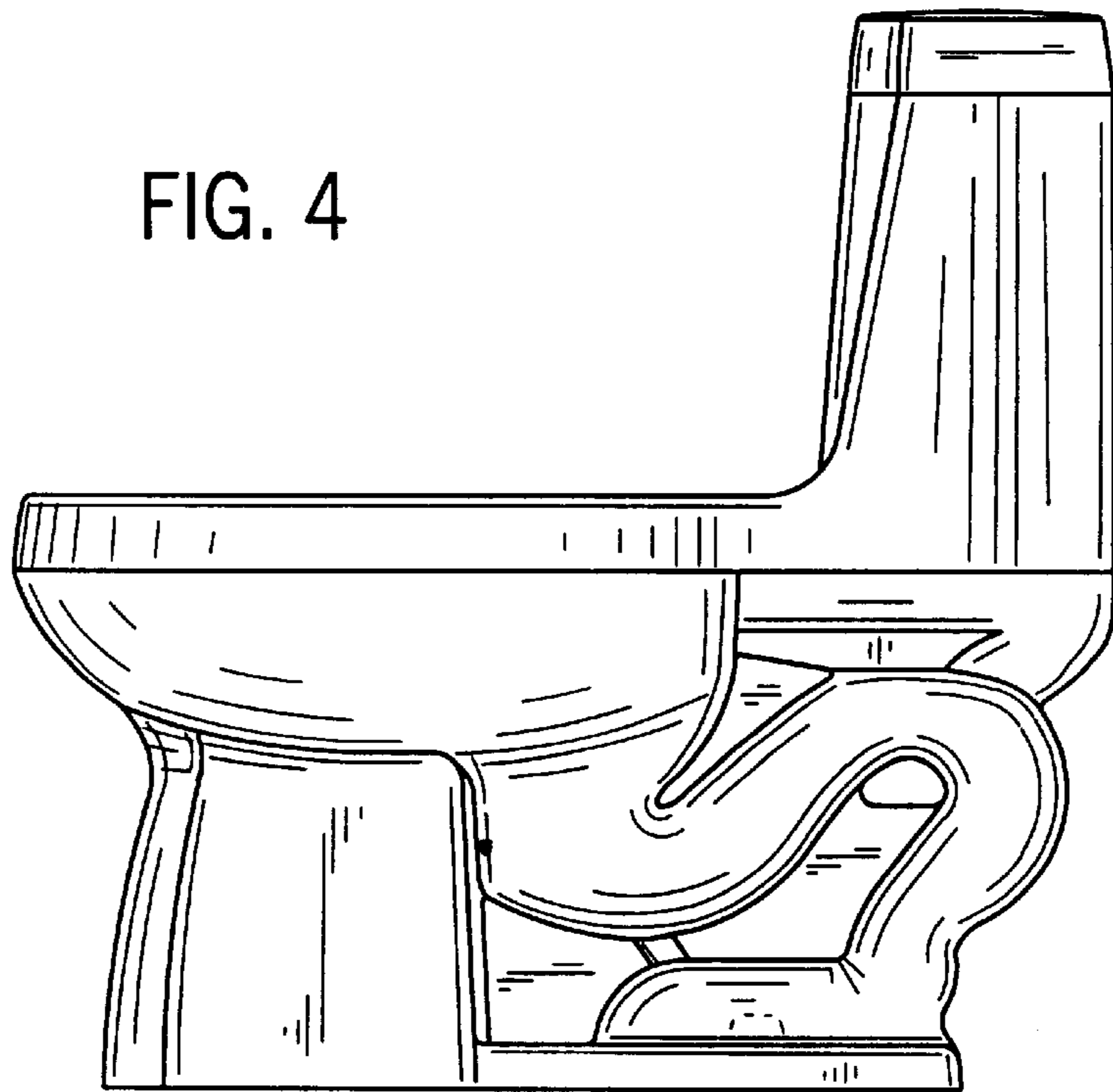


FIG. 4

FIG. 5

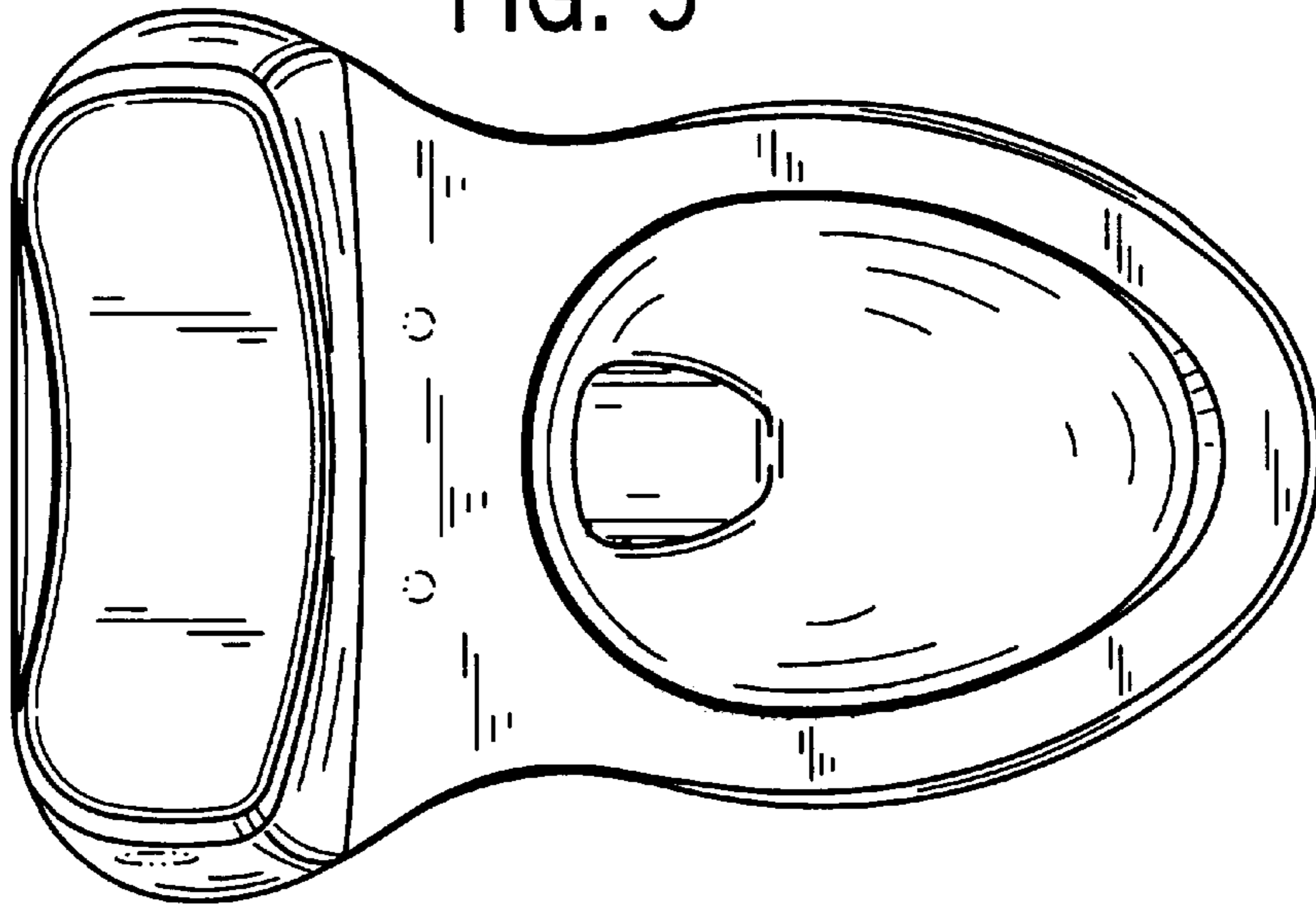


FIG. 6

