



US00D439637S

(12) **United States Design Patent**
Davies

(10) **Patent No.:** **US D439,637 S**

(45) **Date of Patent:** **** Mar. 27, 2001**

(54) **ADAPTOR SLEEVE**
(75) Inventor: **Richard Davies**, Port Melbourne (AU)
(73) Assignee: **Davies, Craig Pty Ltd.**, Port Melbourne (AU)
(**) Term: **14 Years**

D. 354,801 * 1/1995 Grant et al. D23/263
D. 375,843 * 11/1996 Wolfenden D8/382
D. 383,053 * 9/1997 Schrader et al. D23/262
808,922 * 1/1906 Herrick 277/626
980,116 * 12/1910 Mueller 277/608
2,907,591 * 10/1959 Gulick 285/109
5,682,924 * 11/1997 Powell 285/331

* cited by examiner

(21) Appl. No.: **29/108,594**
(22) Filed: **Aug. 2, 1999**
(30) **Foreign Application Priority Data**

Feb. 3, 1999 (AU) 332/99

(51) **LOC (7) Cl.** **23-01**
(52) **U.S. Cl.** **D23/262**
(58) **Field of Search** D23/259, 262,
D23/263, 269, 386, 387, 393; D8/382;
285/95, 109, 331, 336, 294.1, 417, 424,
910, 918; 277/602, 608, 625, 626

(56) **References Cited**
U.S. PATENT DOCUMENTS
D. 28,572 * 5/1898 Rose D23/263
D. 30,405 * 3/1899 Gilbert D23/269
D. 35,204 * 10/1901 Bossert D23/262

Primary Examiner—Alan P. Douglas
Assistant Examiner—Reid Hecker
(74) *Attorney, Agent, or Firm*—Birch, Stewart, Kolasch & Birch, LLP

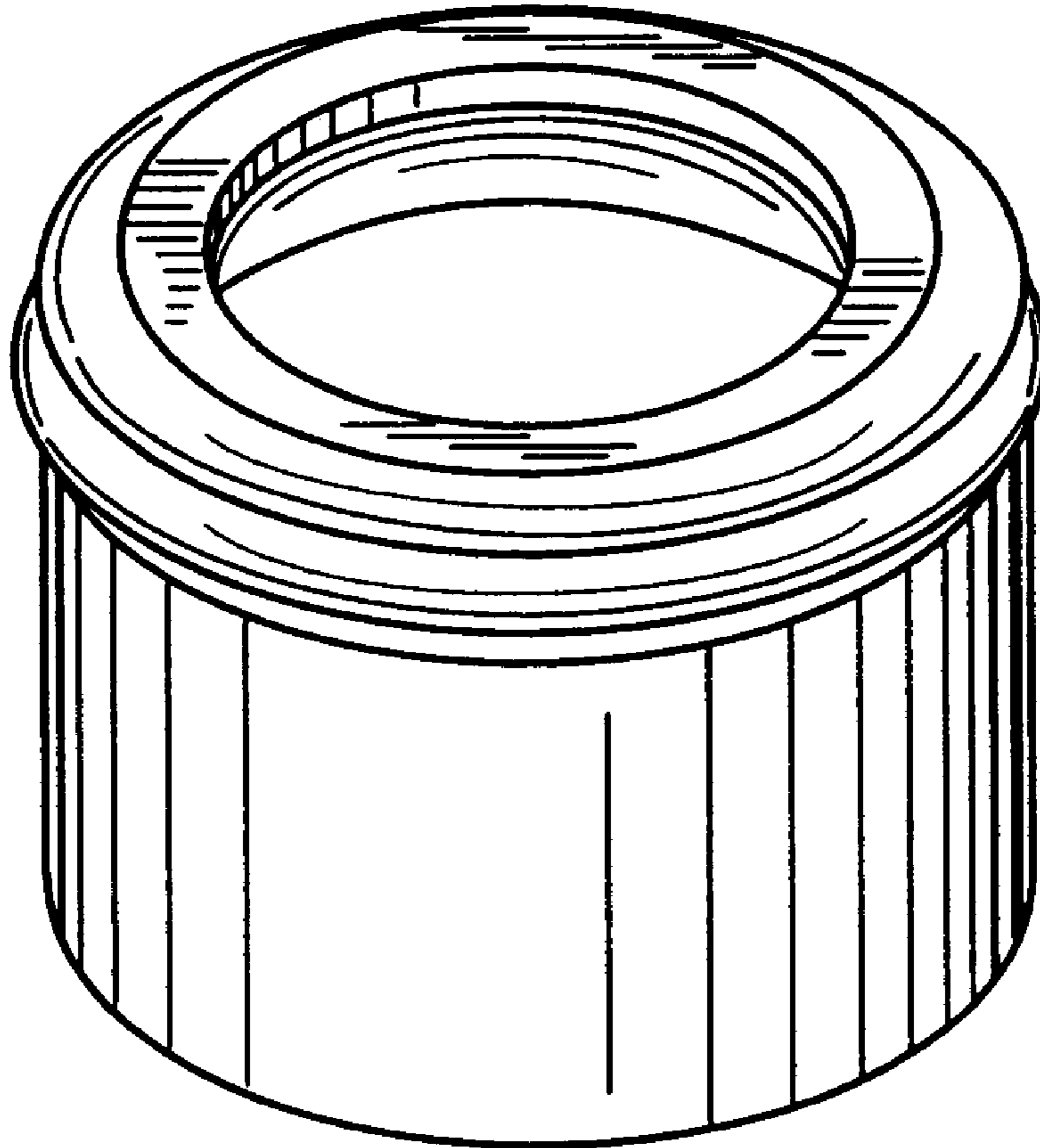
(57) **CLAIM**

The ornamental design for adaptor sleeve, as shown and described.

DESCRIPTION

FIG. 1 is a perspective view of an adaptor sleeve showing my design;
FIG. 2 is a top plan view thereof;
FIG. 3 is a section view taken along line 3—3 thereof;
FIG. 4 is a side view thereof; and,
FIG. 5 is a bottom plan view.

1 Claim, 1 Drawing Sheet



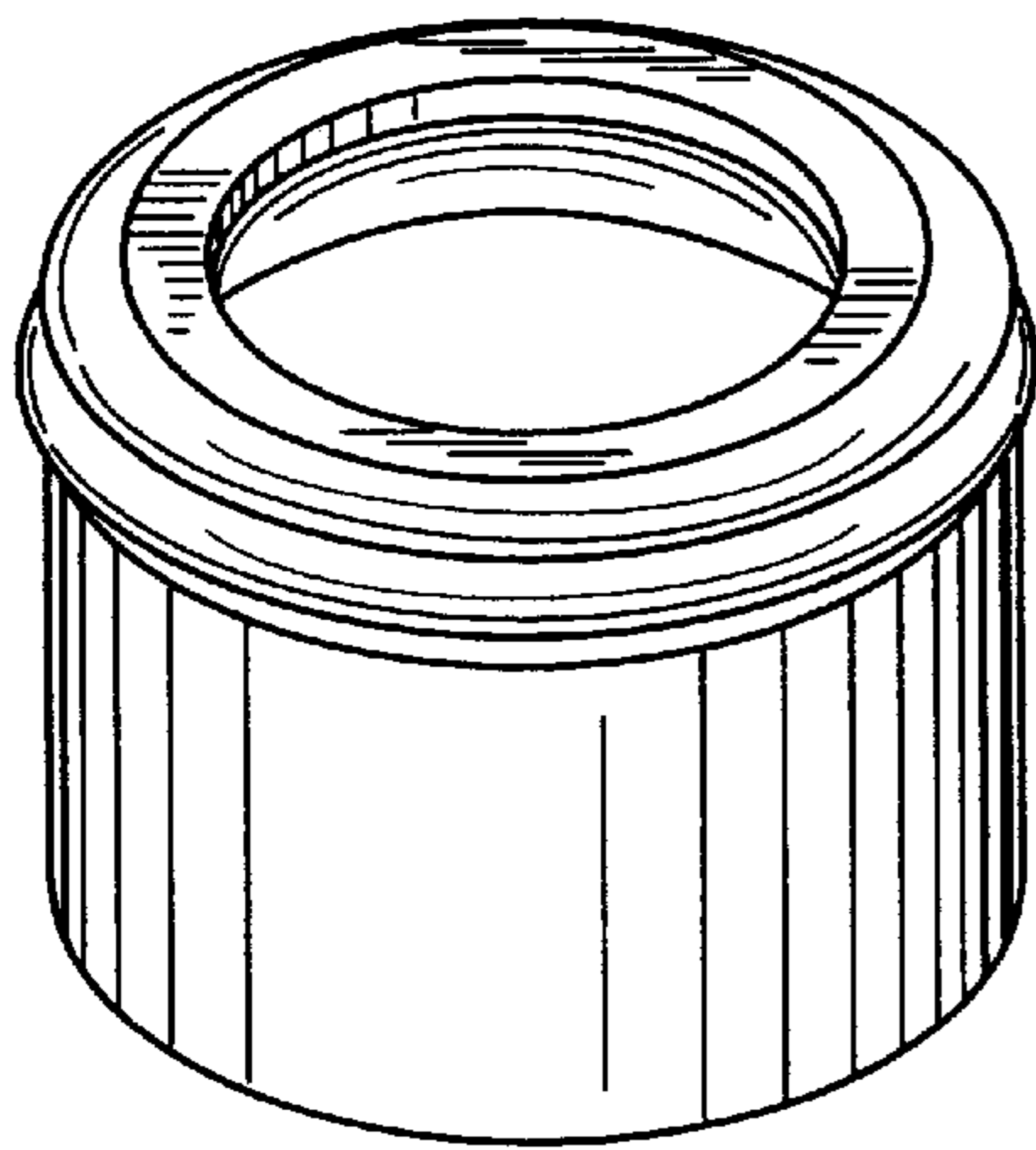


FIG. 1

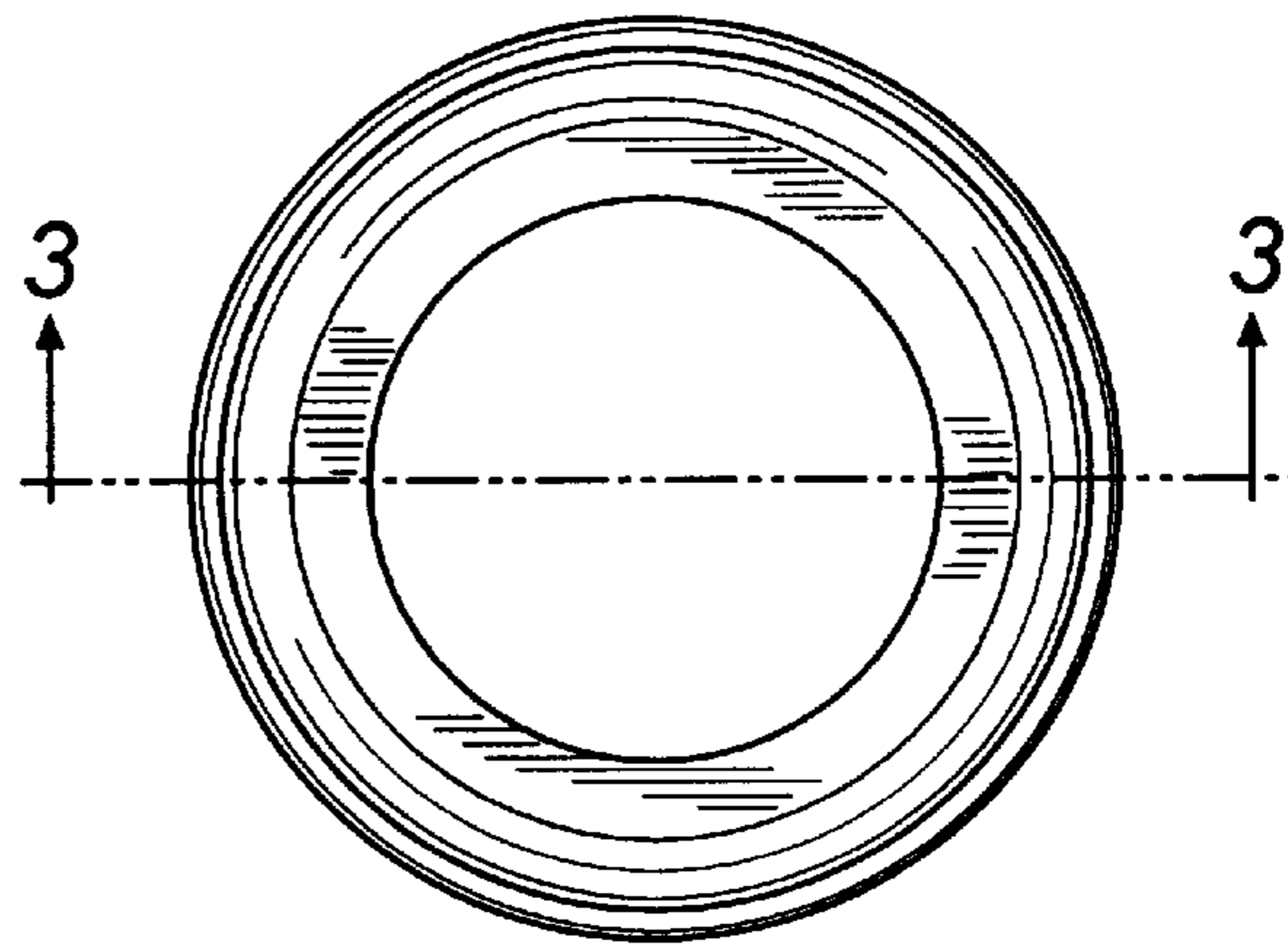


FIG. 2

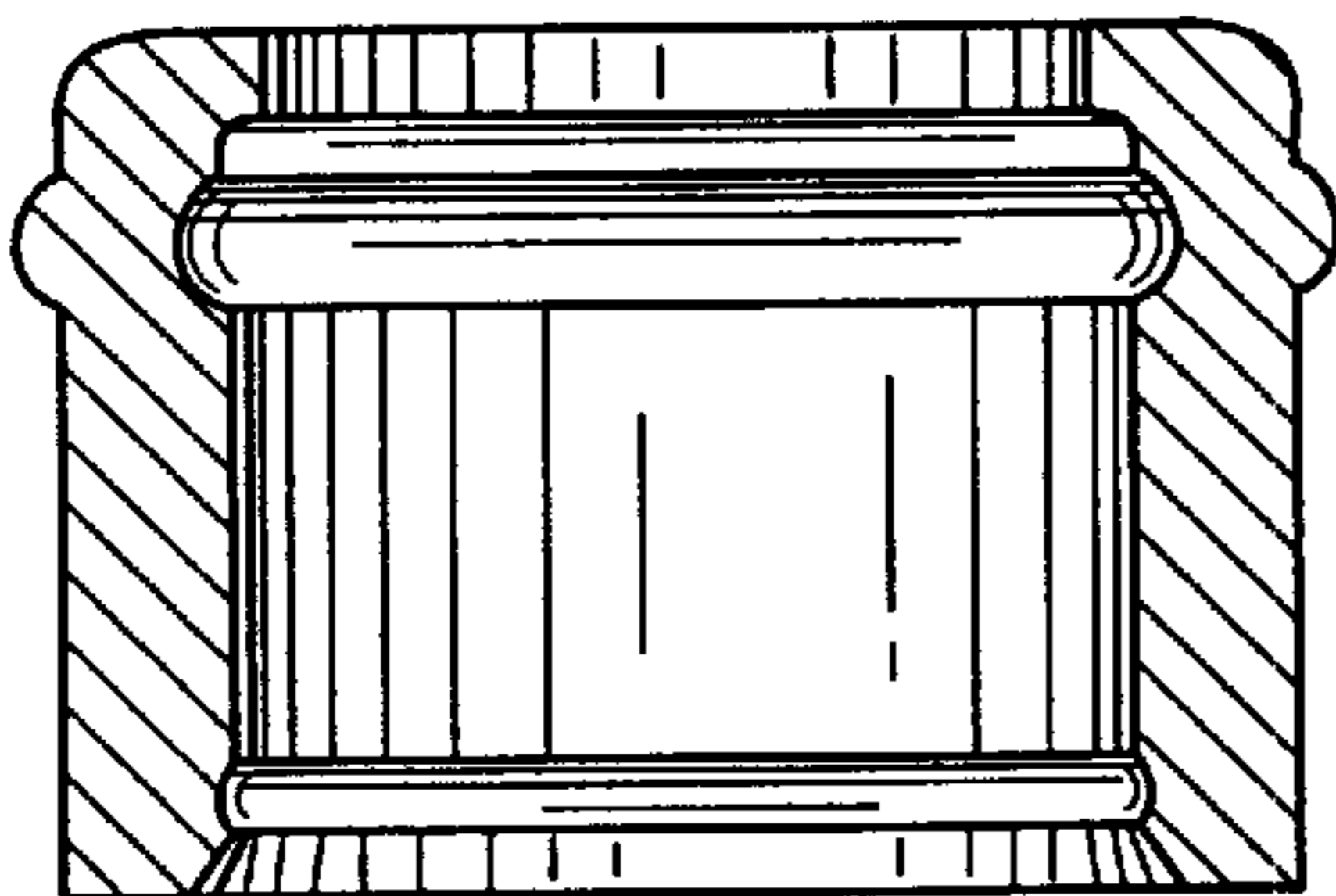


FIG. 3

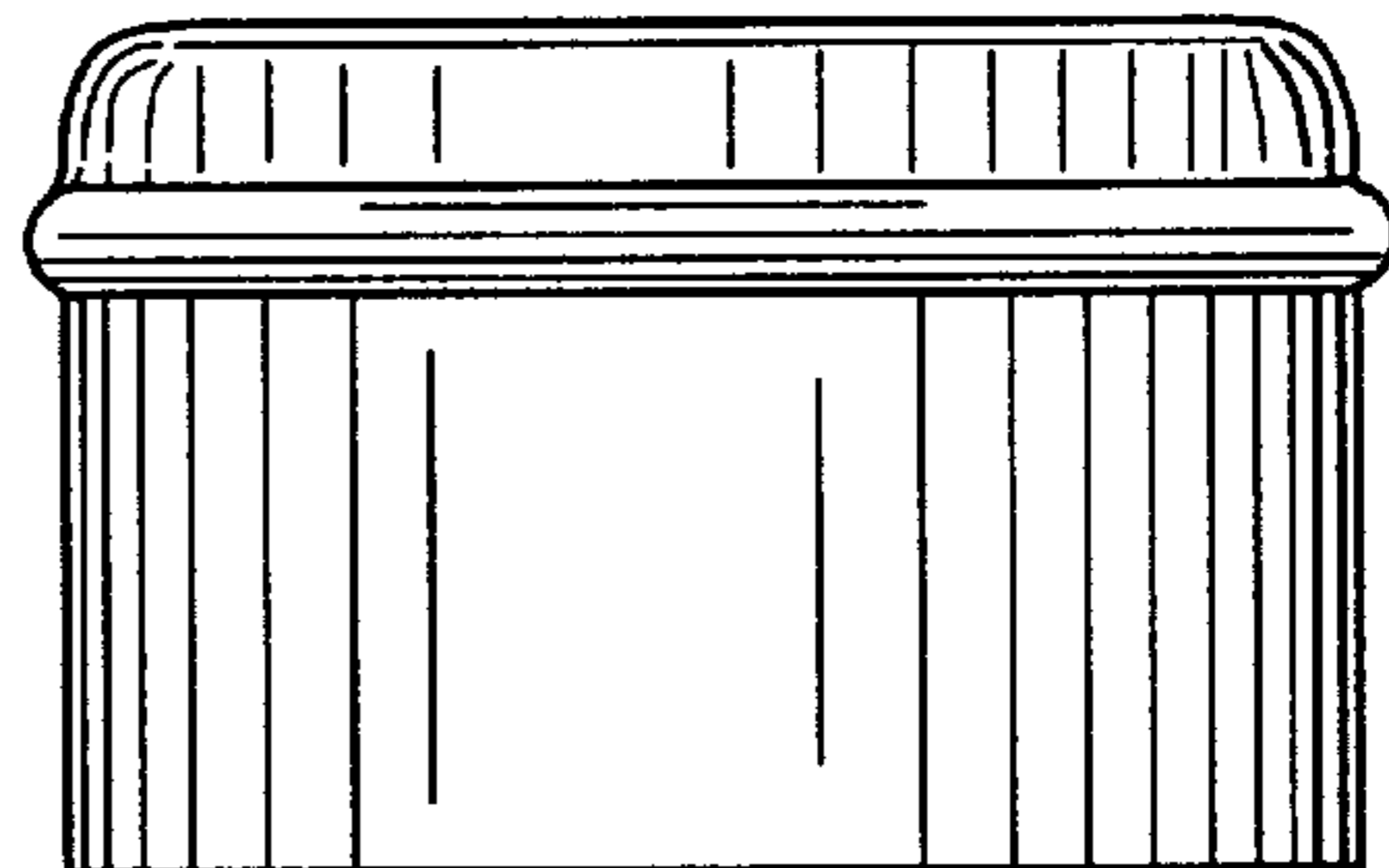


FIG. 4

FIG. 5

