



US00D439636S

(12) **United States Design Patent**
Hamilton

(10) **Patent No.:** **US D439,636 S**

(45) **Date of Patent:** **** Mar. 27, 2001**

(54) **QUICK DISCONNECT NOZZLE ASSEMBLY**

(75) **Inventor:** **Richard J. Hamilton**, West Chicago, IL
(US)

(73) **Assignee:** **Spraying Systems Co.**, Wheaton, IL
(US)

(**) **Term:** **14 Years**

(21) **Appl. No.:** **29/117,613**

(22) **Filed:** **Jan. 26, 2000**

(51) **LOC (7) Cl.** **23-01**

(52) **U.S. Cl.** **D23/259; D23/213**

(58) **Field of Search** **D23/259, 262,**
D23/265, 213; D8/311, 397, 398; 239/600;
285/21.1, 33, 314, 376, 38

(56) **References Cited**

U.S. PATENT DOCUMENTS

D. 262,133	*	12/1981	Fain	D23/262
D. 280,125	*	8/1985	Butterfield et al.	D23/213
D. 298,605	*	11/1988	Colgan et al.	D8/397
D. 302,243	*	7/1989	Gonzalez	D8/398
D. 384,731	*	10/1997	Ramacier, Jr. et al.	D23/262
4,664,314		5/1987	O'Brien et al.	.	

4,738,401	*	4/1988	Filicicchia	239/600
5,143,298		9/1992	Prokopoff	.	
5,190,224	*	3/1993	Hamilton	239/600
5,199,649	*	4/1993	Tolboll	239/600
5,421,422		6/1995	Bowen	.	
5,727,739	*	3/1998	Hamilton	239/600

* cited by examiner

Primary Examiner—Alan P. Douglas

Assistant Examiner—Reid Hecker

(74) *Attorney, Agent, or Firm*—Leydig, Voit & Mayer, Ltd.

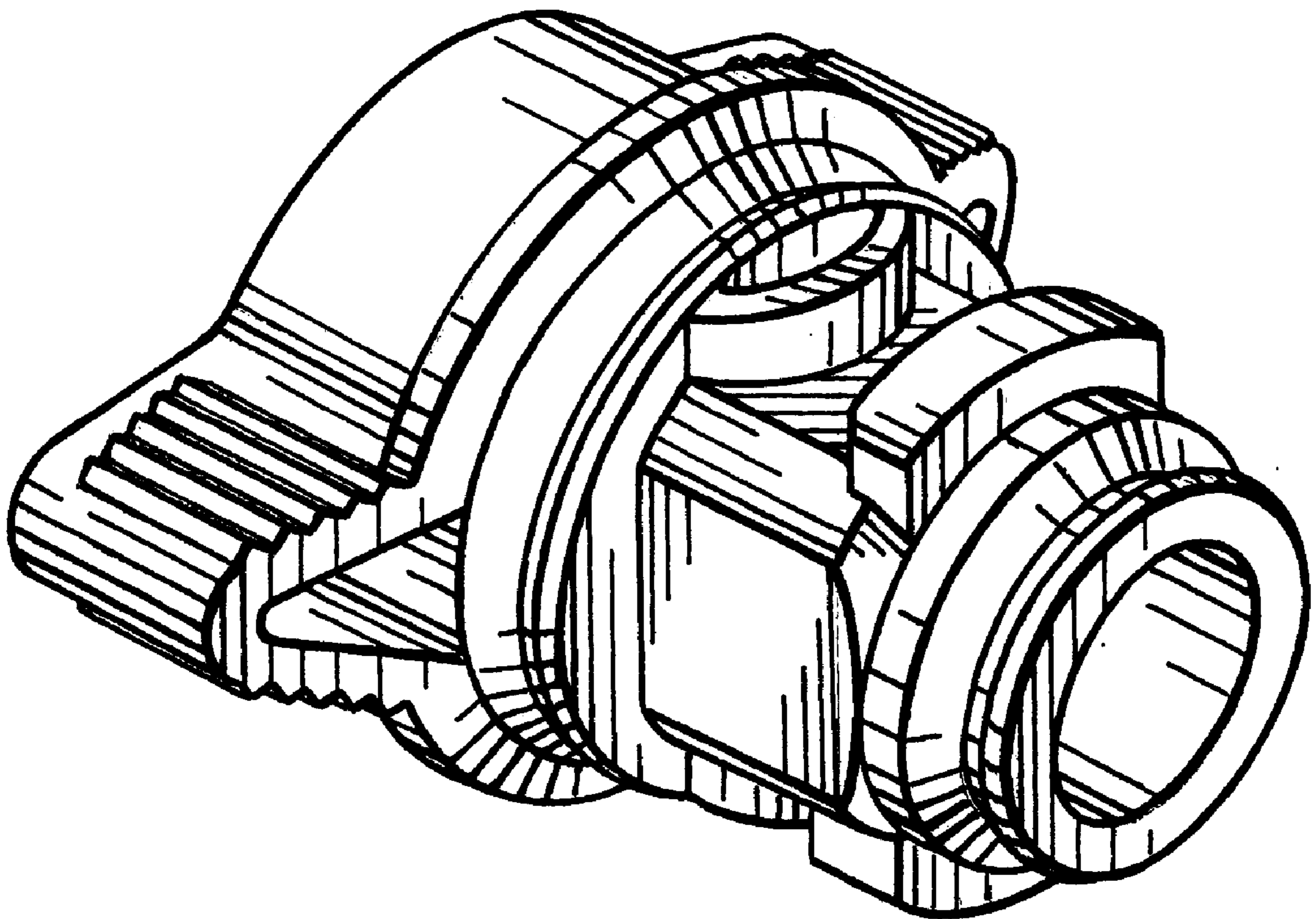
(57) **CLAIM**

The ornamental design for a quick disconnect nozzle assembly, as shown and described.

DESCRIPTION

FIG. 1 is a bottom perspective of a quick disconnect nozzle assembly embodying the design of the present invention; FIG. 2 is a top perspective thereof; FIG. 3 is a bottom plan view thereof; and FIG. 4 is a front elevational view thereof, the rear elevational view being a mirror image thereof; FIG. 5 is a right side elevational view thereof, the left side elevational view being a mirror image thereof; and, FIG. 6 is a top plan view thereof.

1 Claim, 2 Drawing Sheets



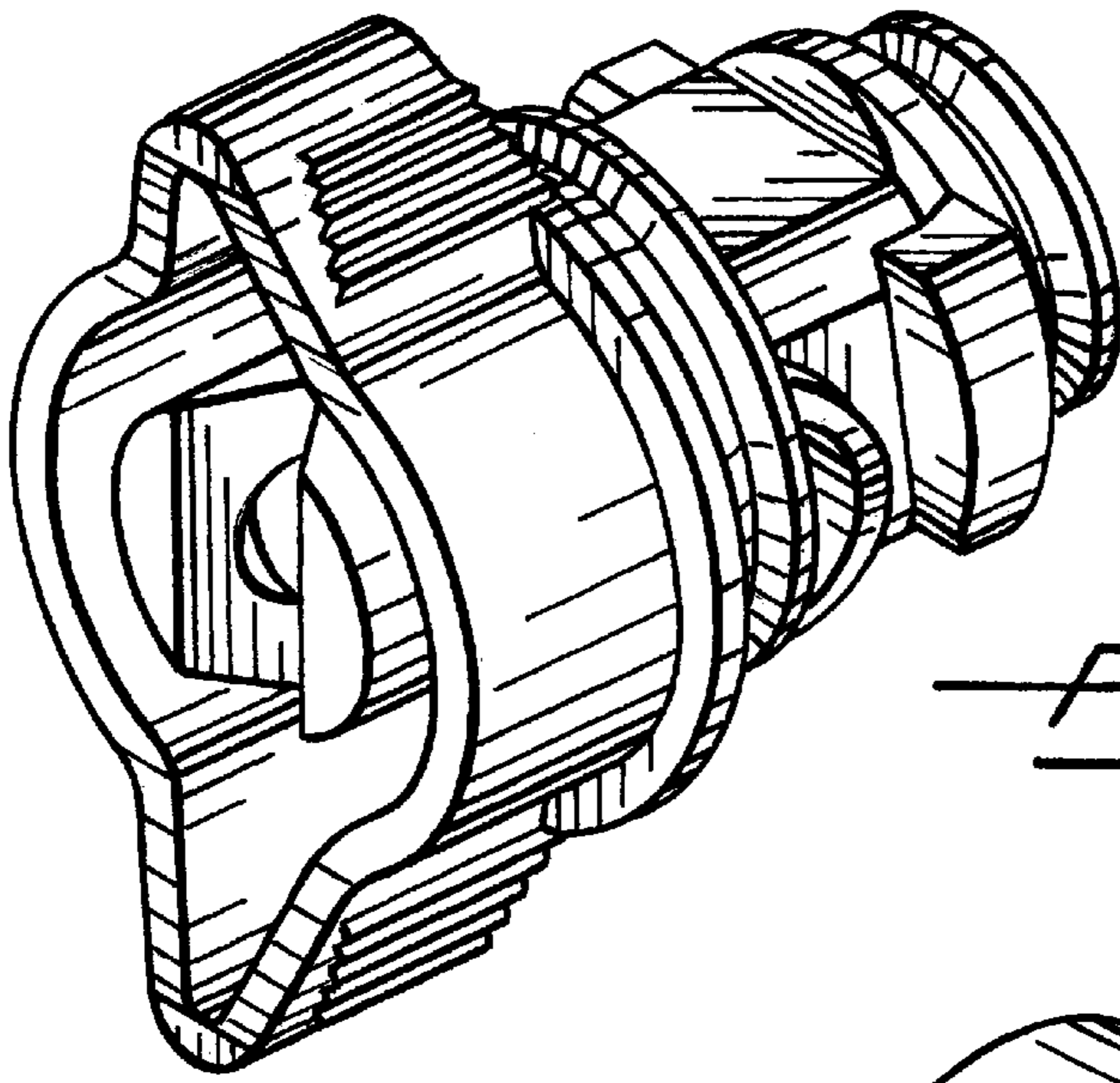


FIG. 1.

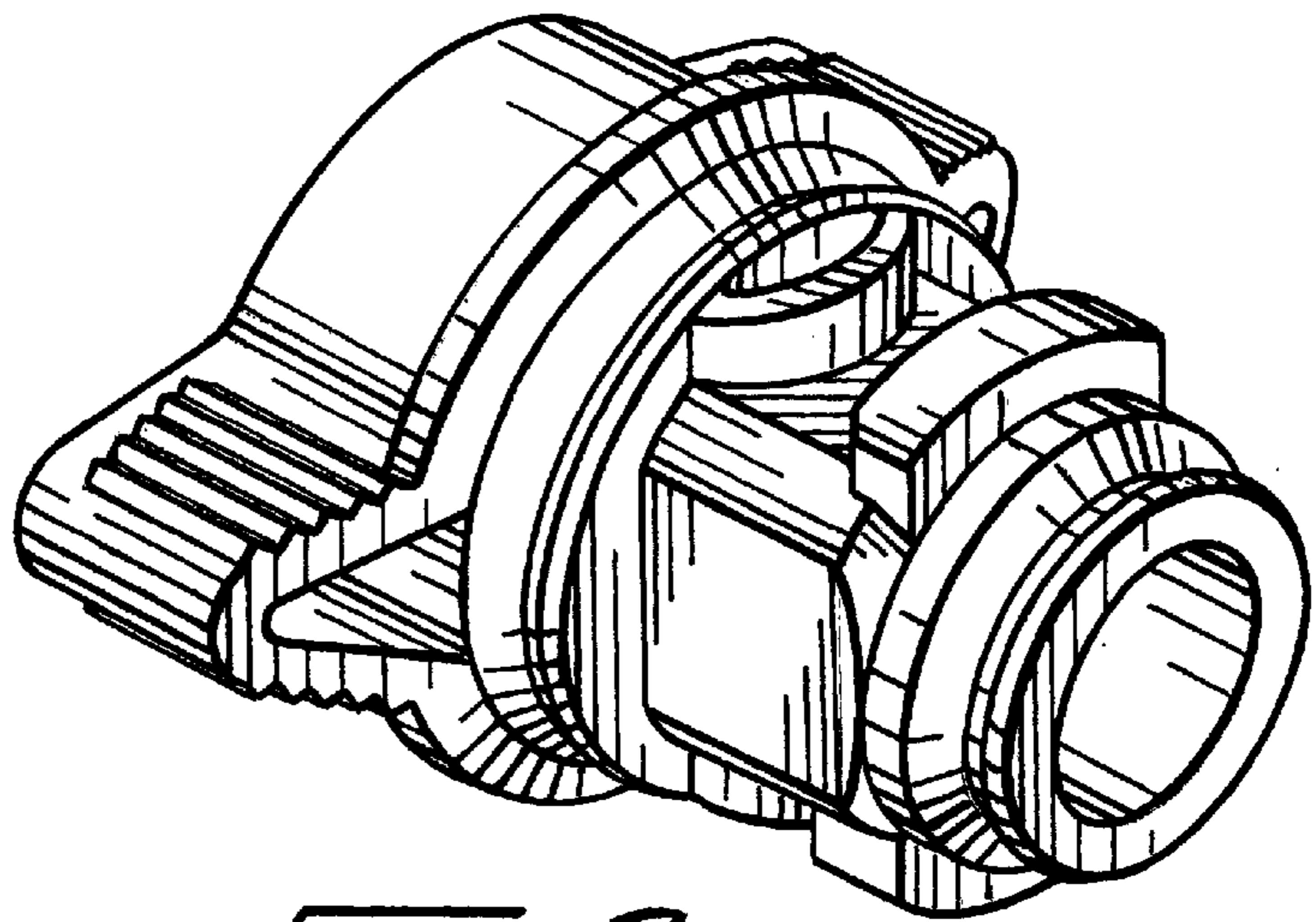


FIG. 2.

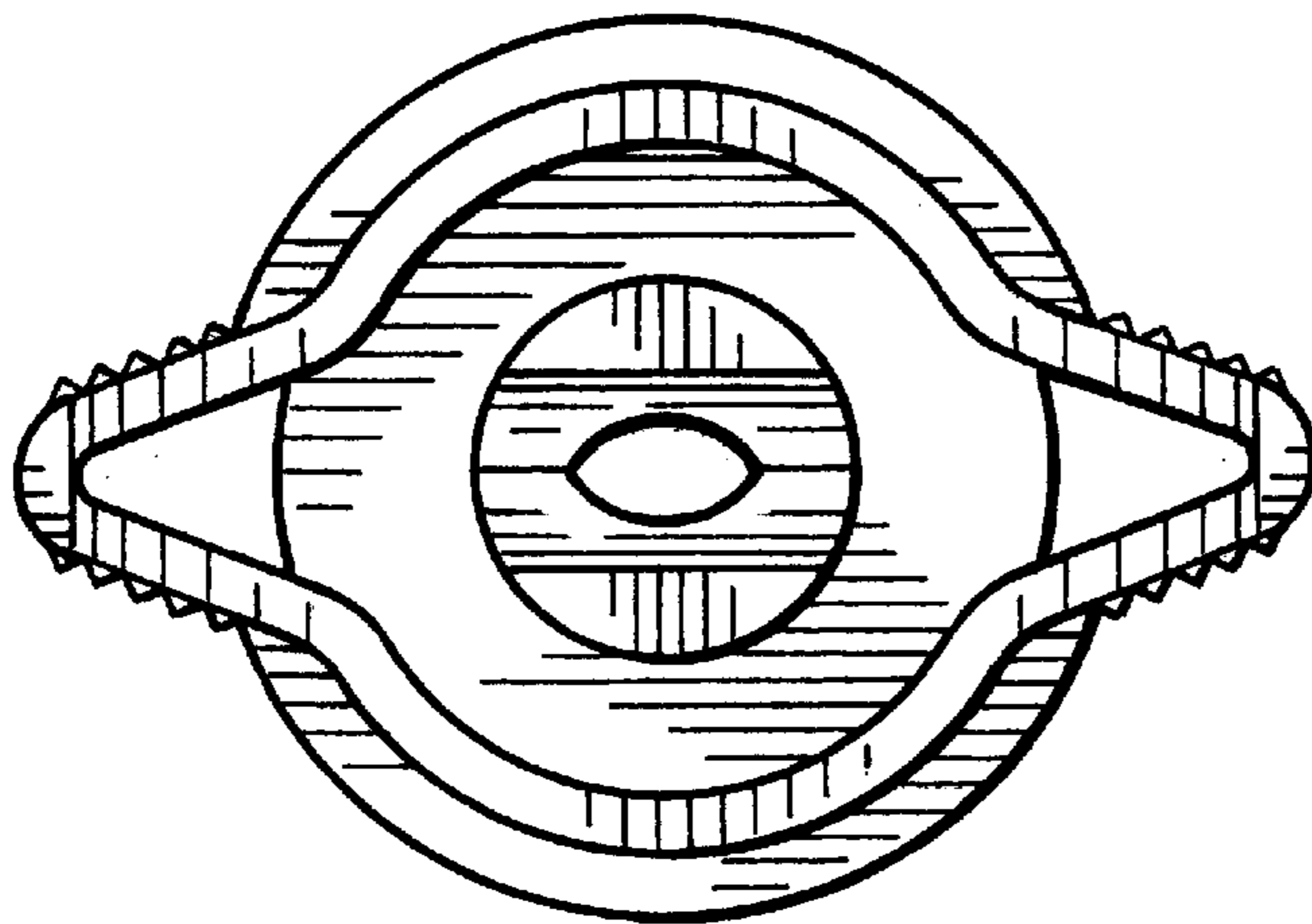


FIG. 3.

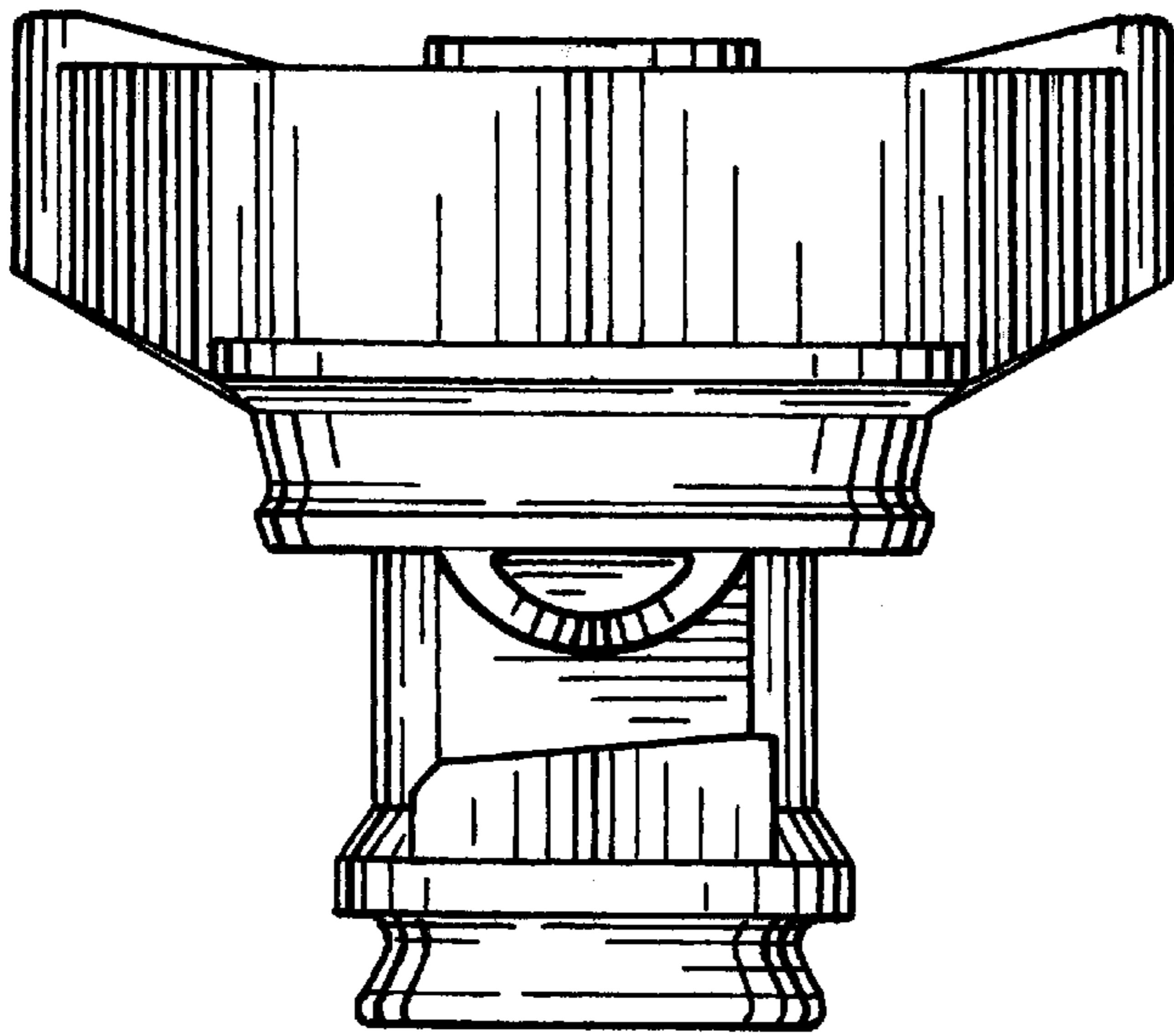


FIG. 4.

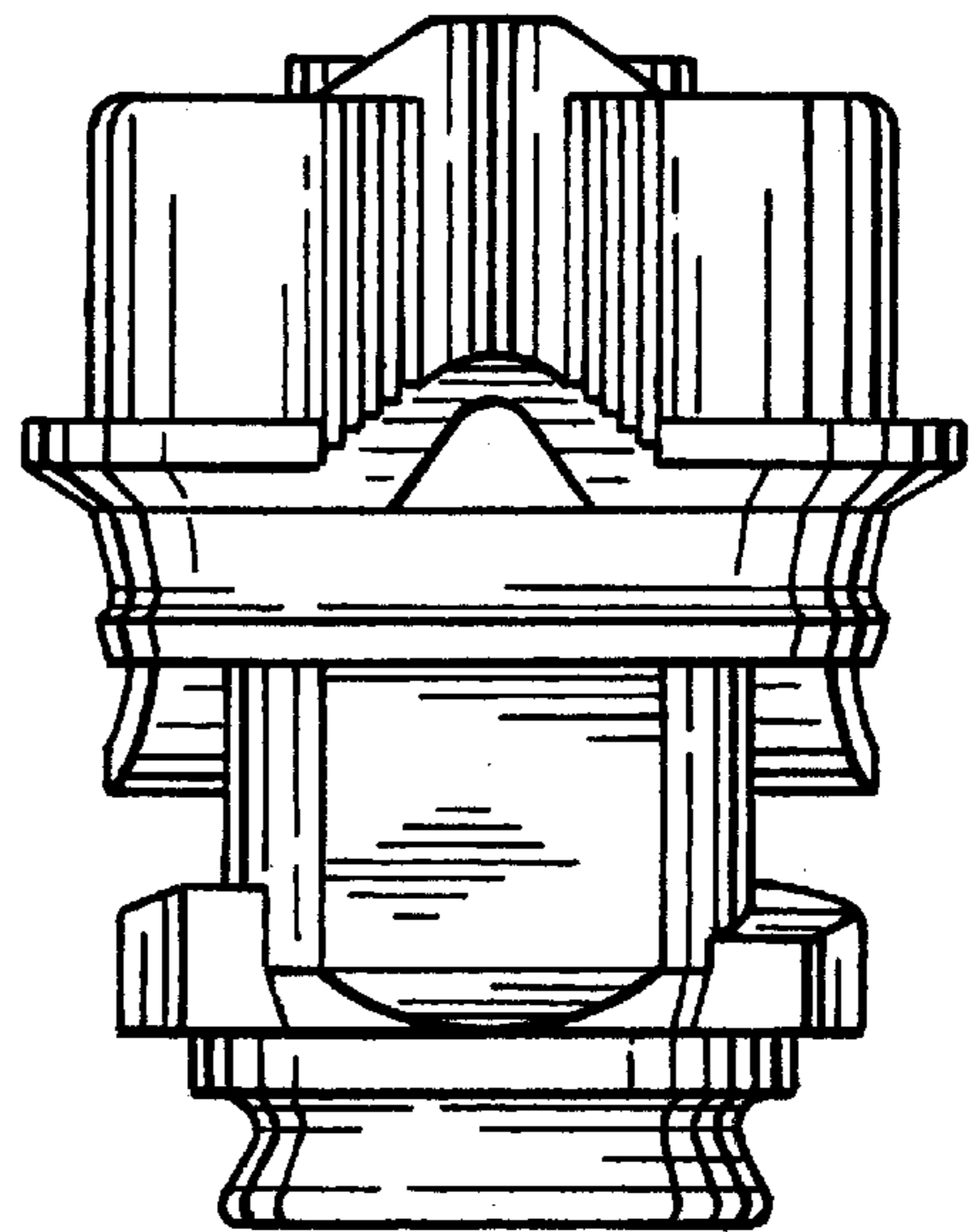


FIG. 5.

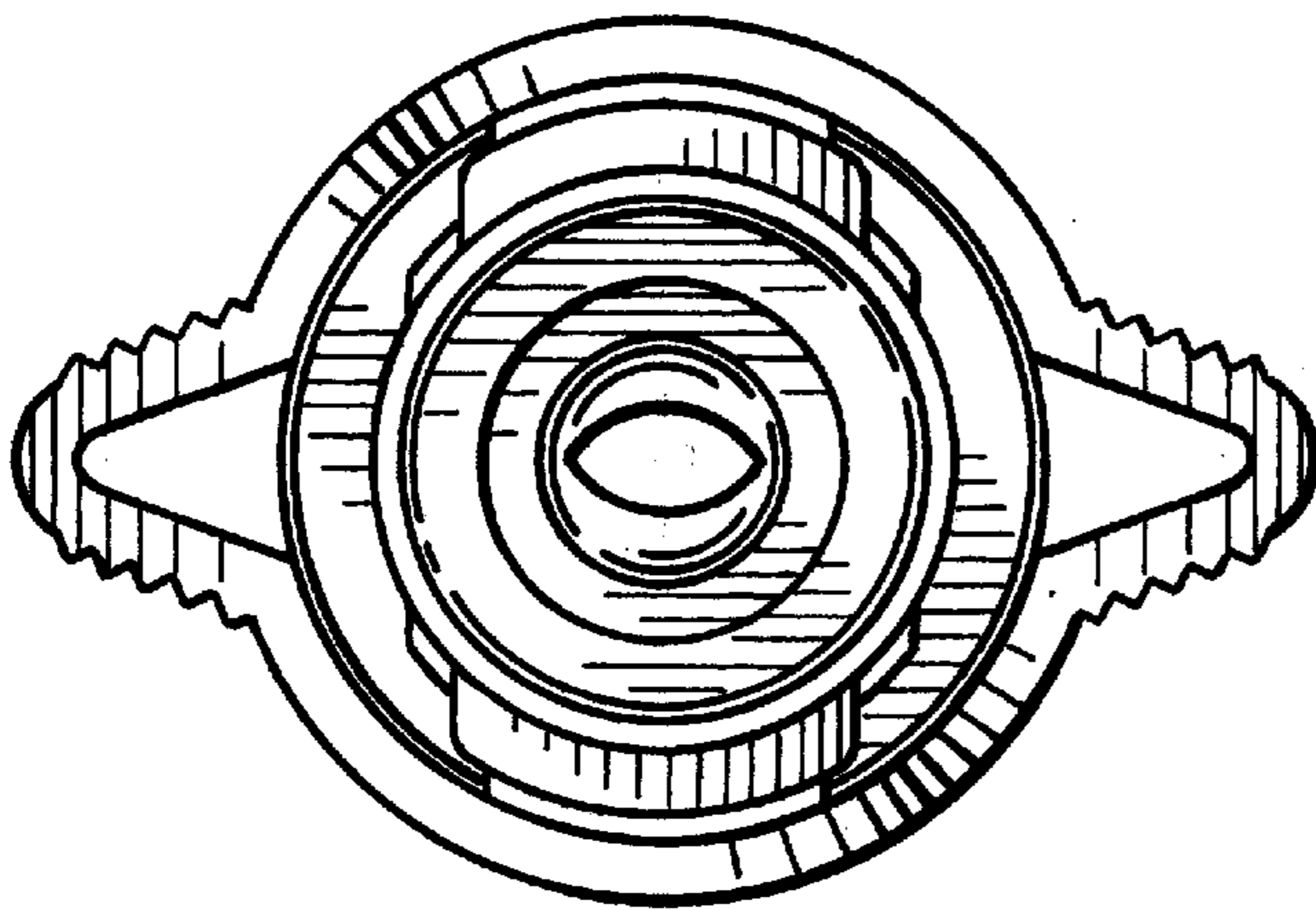


FIG. 6.