



US00D439635S

(12) **United States Design Patent**
Robbins

(10) **Patent No.:** **US D439,635 S**

(45) **Date of Patent:** **** Mar. 27, 2001**

(54) **COMBINED SINGLE HANDLE FAUCET AND SPRAYER**

(75) **Inventor:** **Tom Edward Robbins**, Oakland, CA (US)

(73) **Assignee:** **Mico Designs Ltd.**, Chicago, IL (US)

(**) **Term:** **14 Years**

(21) **Appl. No.:** **29/123,757**

(22) **Filed:** **May 24, 2000**

(51) **LOC (7) Cl.** **23-01**

(52) **U.S. Cl.** **D23/239**

(58) **Field of Search** D23/238-243,
D23/250-257, 213, 223, 226, 228; D8/300,
307, 311

(56) **References Cited**

U.S. PATENT DOCUMENTS

- D. 340,968 * 11/1993 McKeone et al. D23/255
- D. 349,326 * 8/1994 Bollenbacher D23/238
- D. 387,130 * 12/1997 Warshawsky D23/238

OTHER PUBLICATIONS

Kohler Faucets Price Book, p. 135, item # K-169, Jul. 1994.*

* cited by examiner

Primary Examiner—Louis S. Zarfaz

Assistant Examiner—Gregory Andoll

(74) *Attorney, Agent, or Firm*—Rockey, Milnamow & Katz Ltd.

(57) **CLAIM**

The ornamental design for a combined single handle faucet and sprayer, as shown.

DESCRIPTION

FIG. 1 is a perspective view illustrating the combined single handle faucet and sprayer of the present design;

FIG. 2 is a side elevational view of the faucet of FIG. 1;

FIG. 3 is a bottom plan view of the faucet of FIG. 1;

FIG. 4 is a front elevational view of the faucet of FIG. 1;

FIG. 5 is a rear elevational view of the faucet of FIG. 1;

FIG. 6 is a top plan view of the faucet of FIG. 1;

FIG. 7 is a top plan view of the sprayer of FIG. 1;

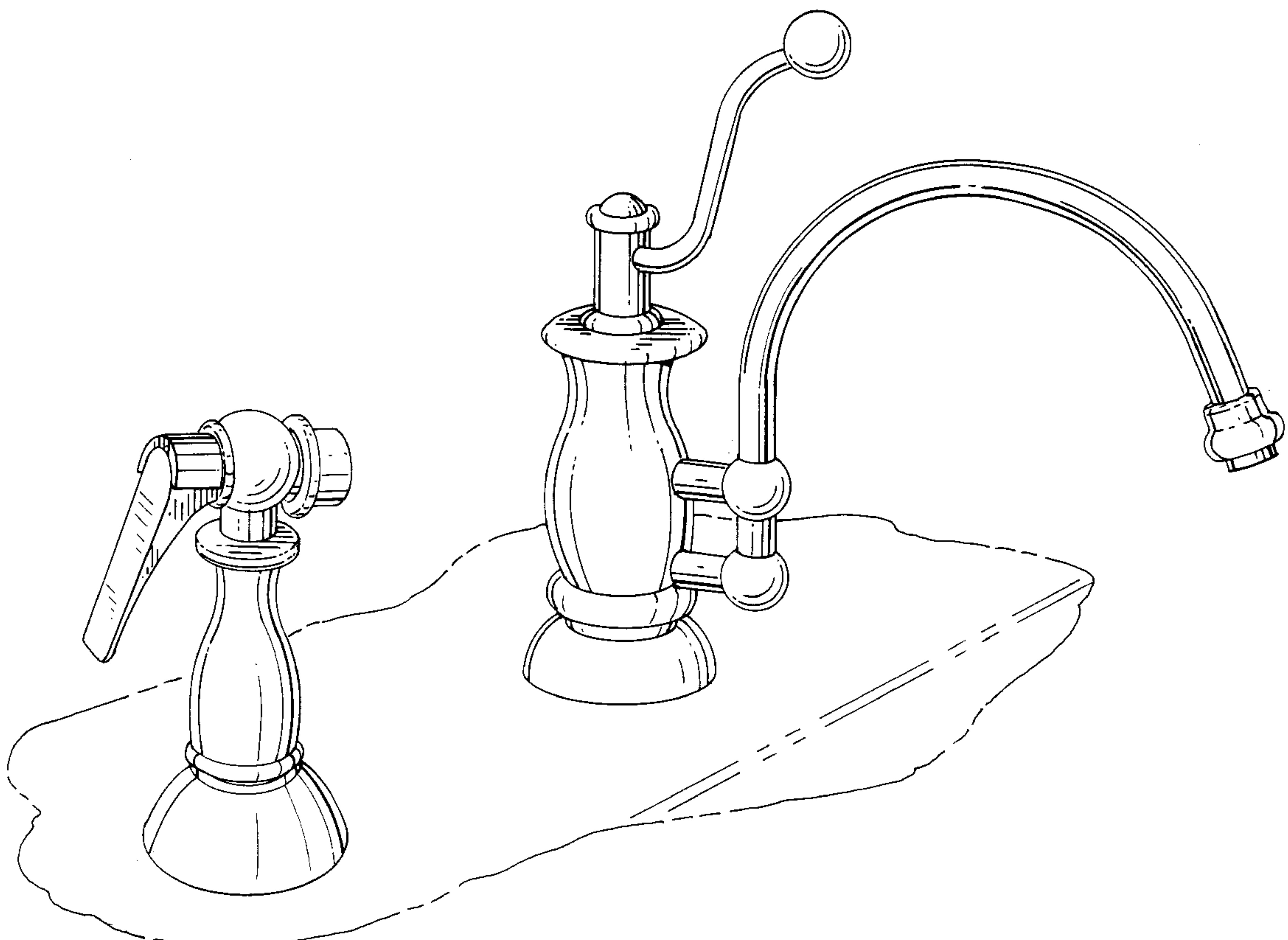
FIG. 8 is a front elevational view of the sprayer of FIG. 1;

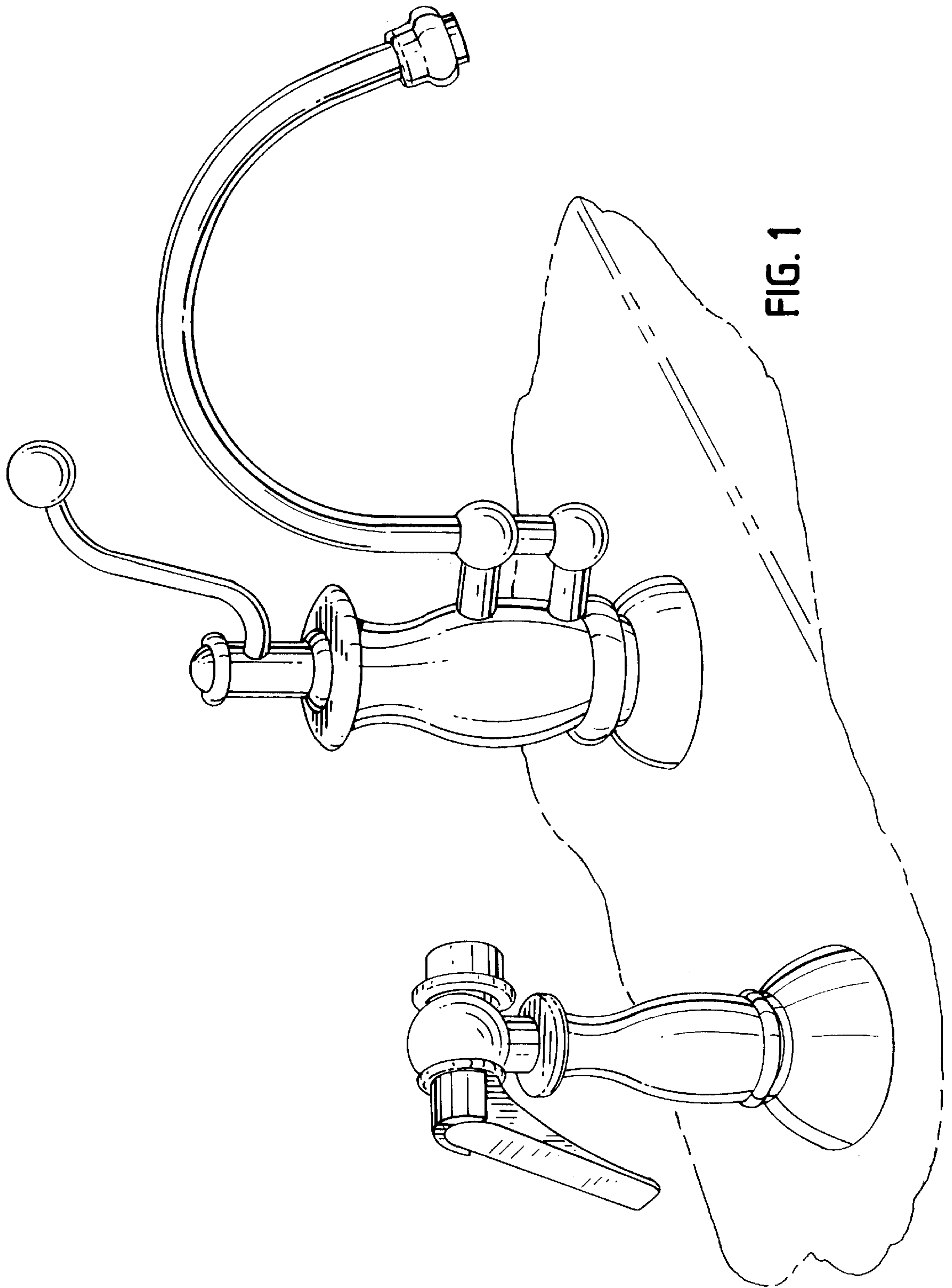
FIG. 9 is a side elevational of the sprayer of FIG. 1, the other side being identical;

FIG. 10 is a rear elevational view of the sprayer of FIG. 1; and,

FIG. 11 is a bottom plan view of the sprayer of FIG. 1.

1 Claim, 4 Drawing Sheets





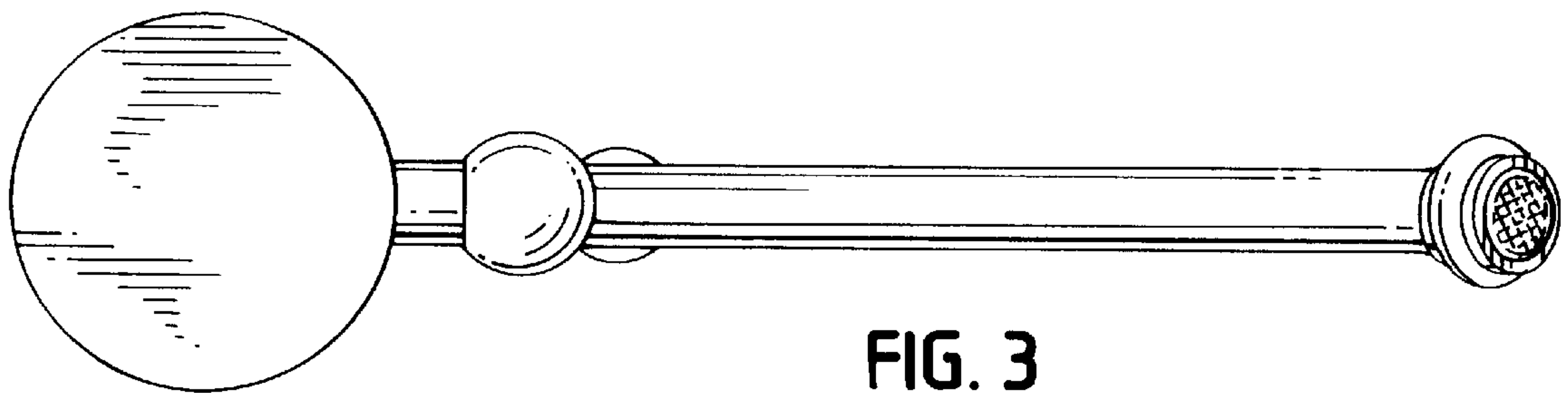
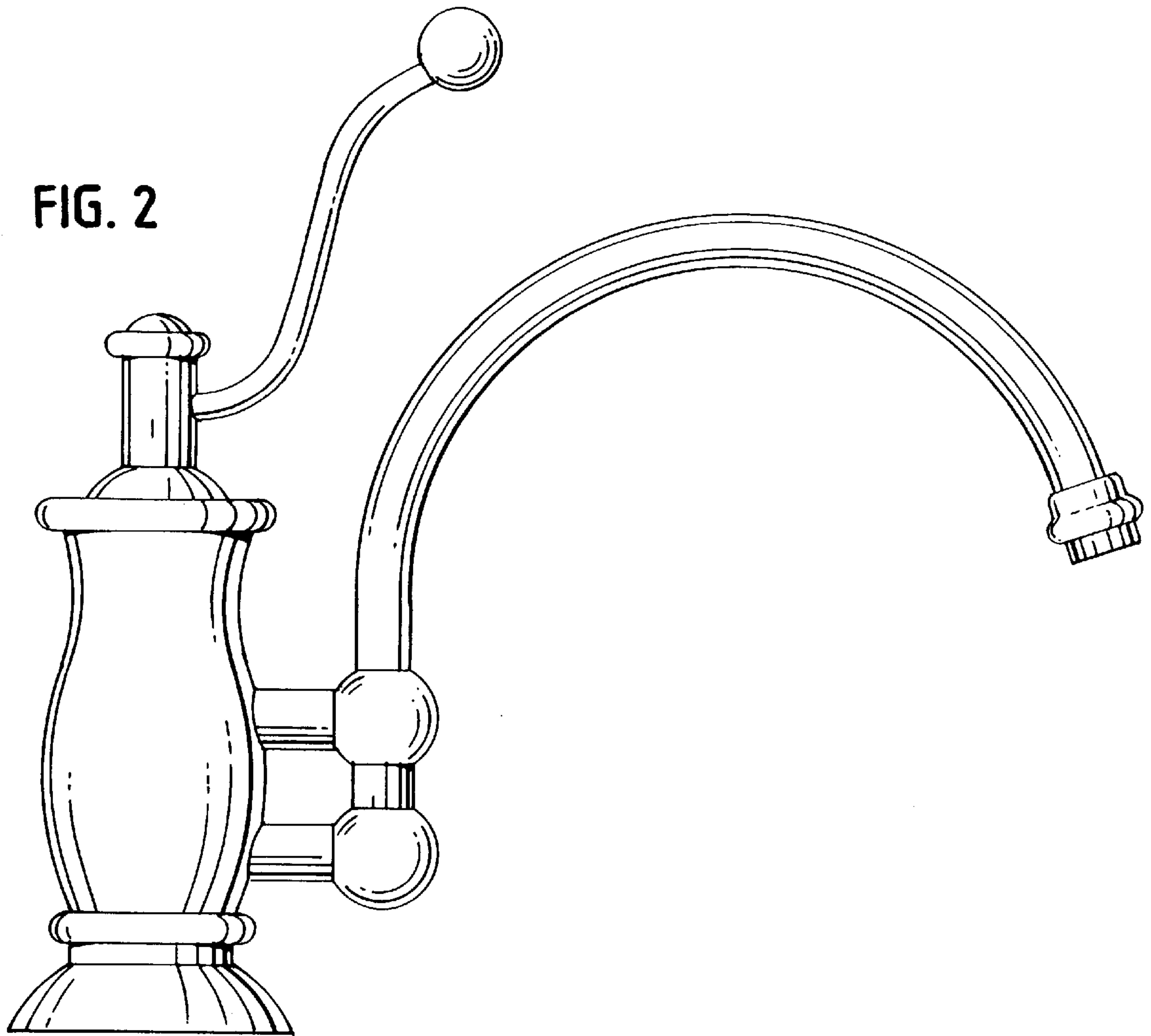


FIG. 4

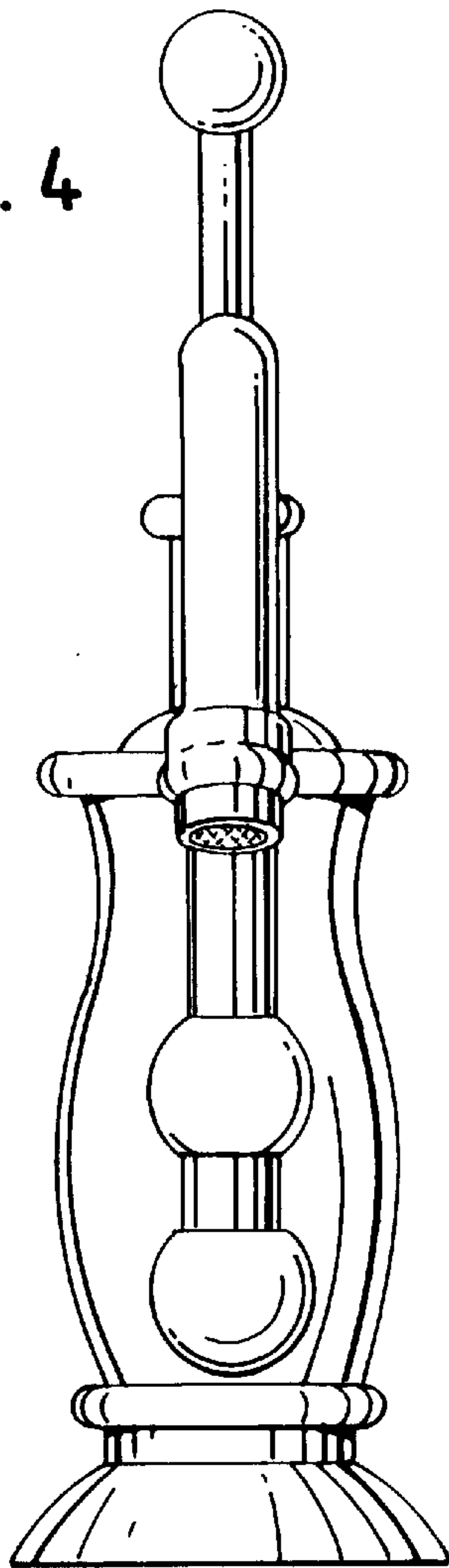


FIG. 5

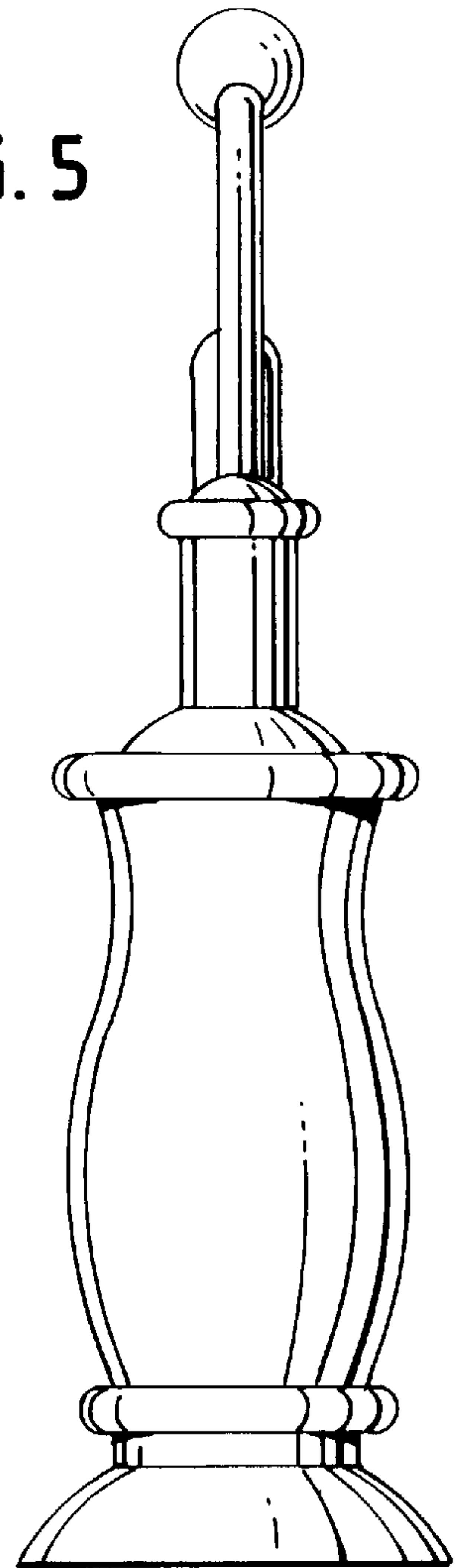


FIG. 6

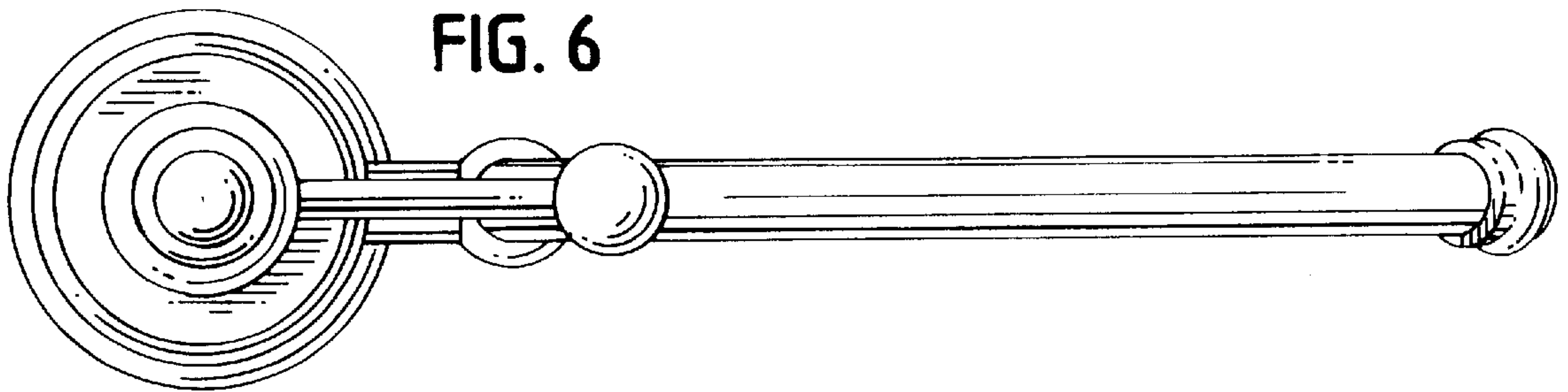


FIG. 7

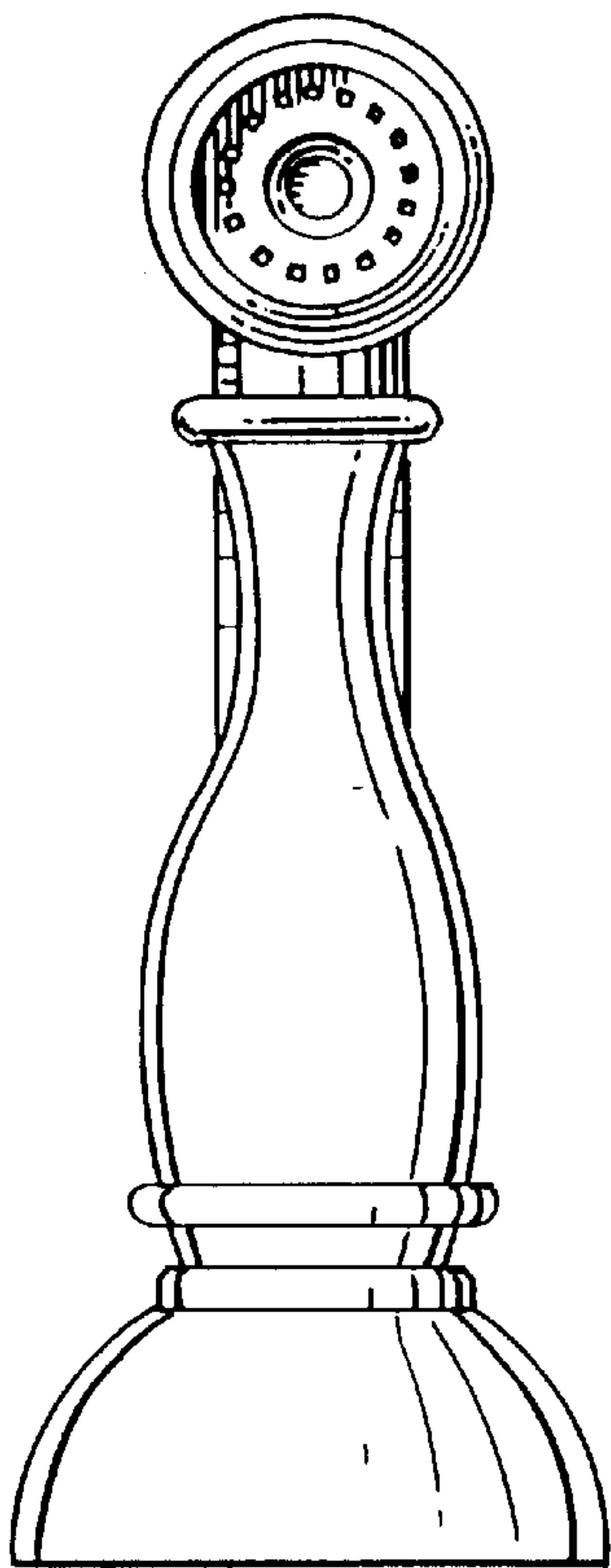
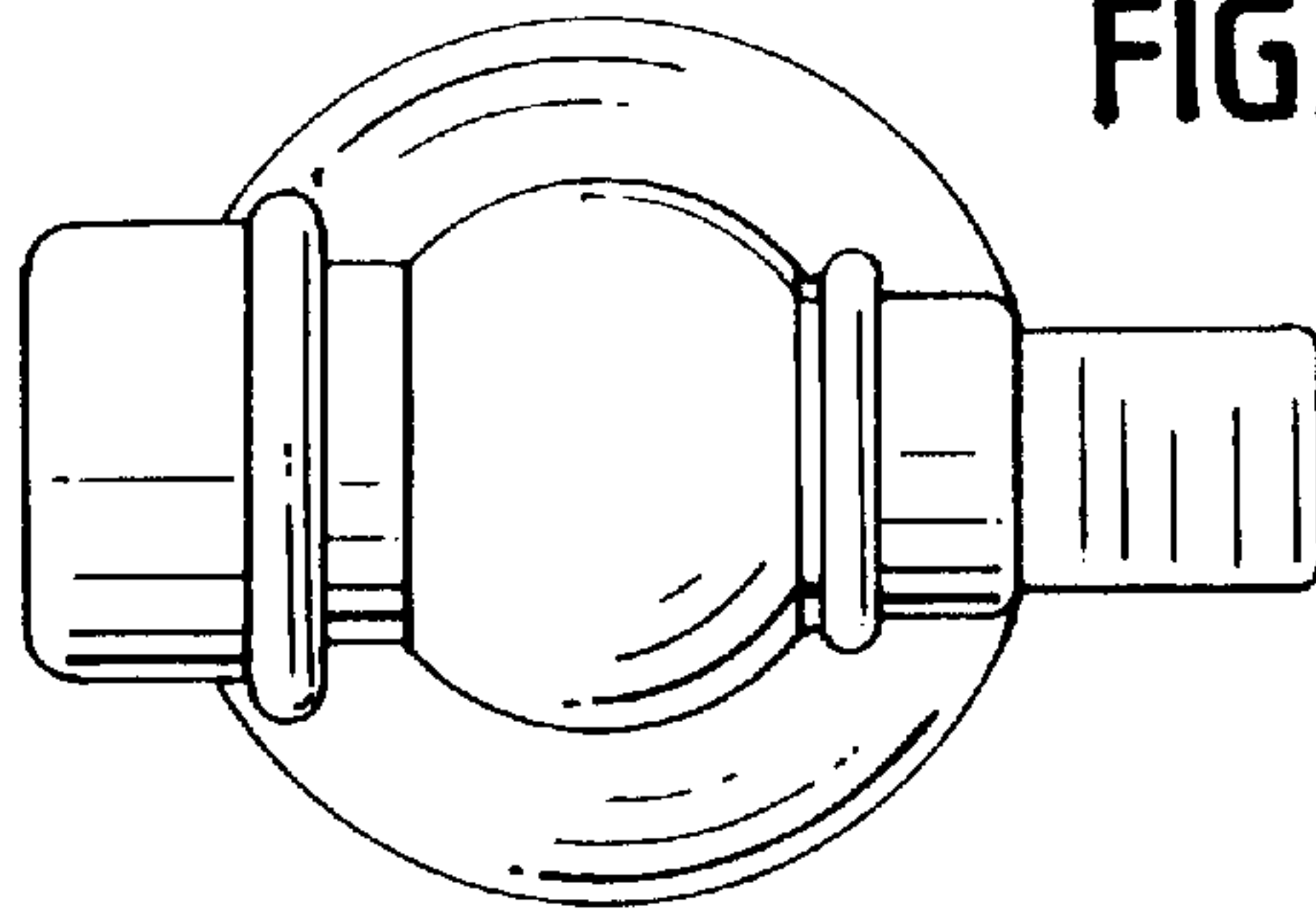


FIG. 8

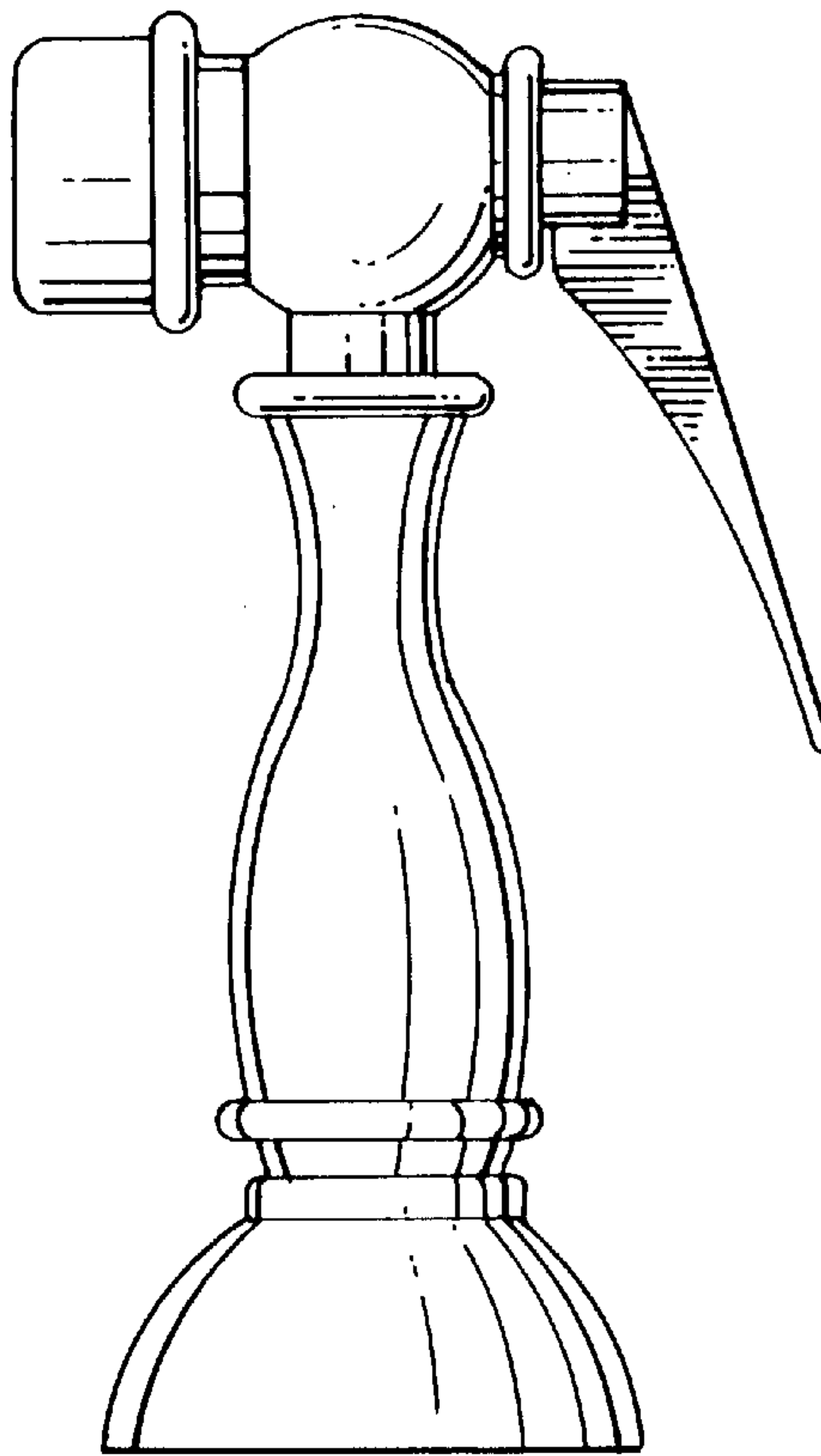


FIG. 9

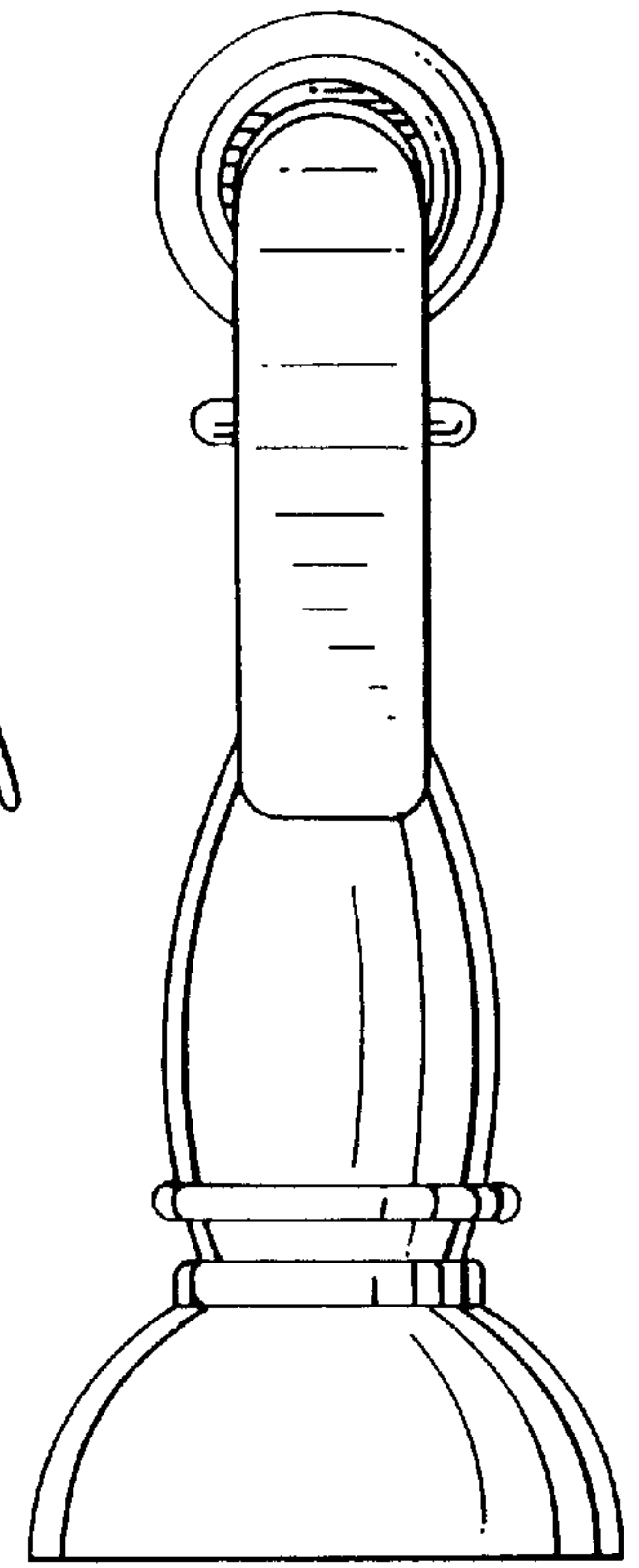


FIG. 10

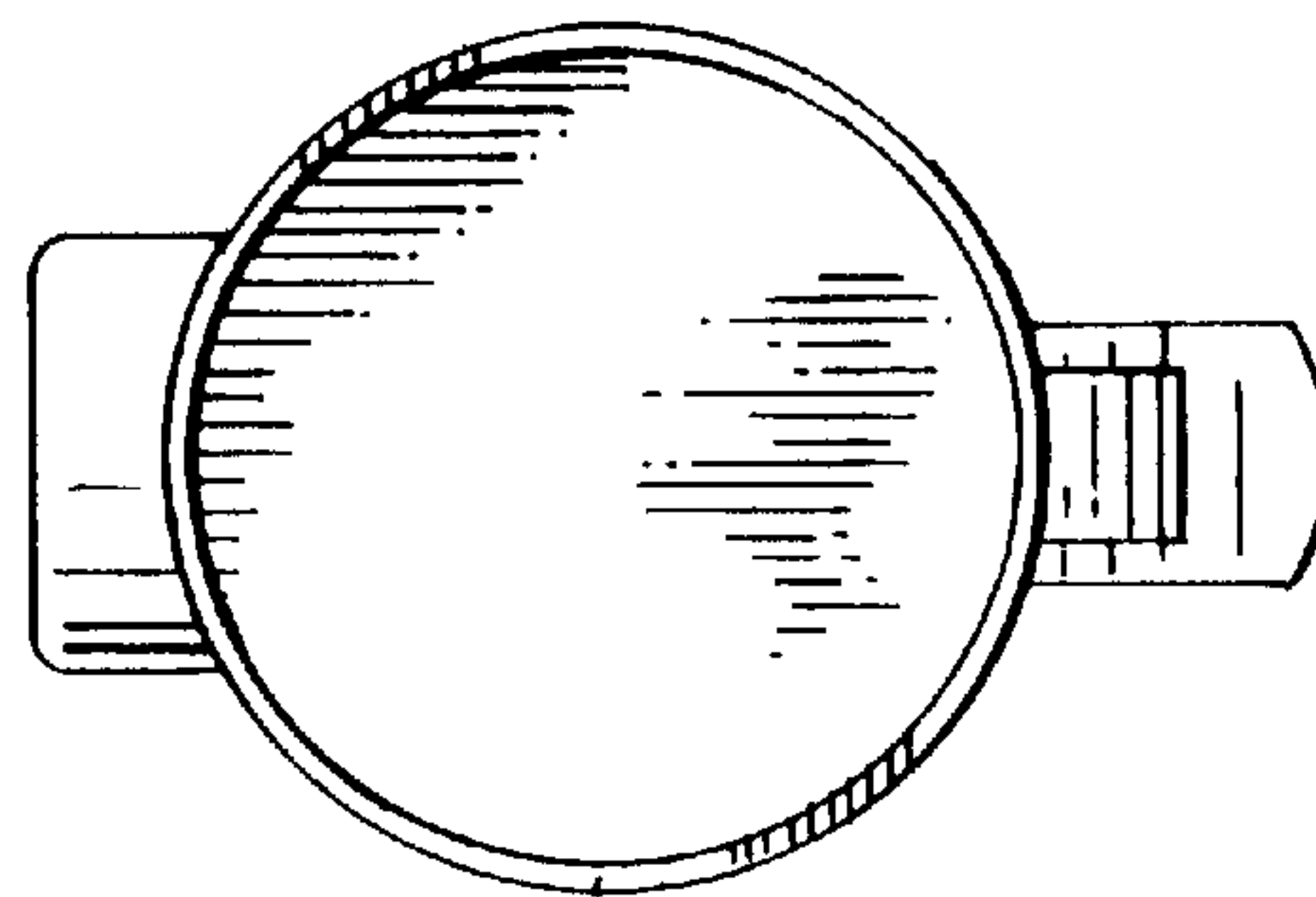


FIG. 11