



US00D439633S

(12) **United States Design Patent**
Ikeo et al.

(10) **Patent No.:** **US D439,633 S**

(45) **Date of Patent:** **** Mar. 27, 2001**

(54) **VACUUM CONTROL VALVE**

5,848,608 * 12/1998 Ishigaki 137/599.2

(75) Inventors: **Toshihiro Ikeo**, Nagoya; **Hiroshi Kagohashi**; **Tomohiro Ito**, both of Kasugai, all of (JP)

* cited by examiner

Primary Examiner—Robin V. Taylor
(74) *Attorney, Agent, or Firm*—Nawrocki, Rooney & Sivertson, P.A.

(73) Assignee: **CKD Corporation**, Aichi-ken (JP)

(**) Term: **14 Years**

(57) **CLAIM**

The ornamental design for a vacuum control valve, as shown and described.

(21) Appl. No.: **29/112,735**

(22) Filed: **Oct. 22, 1999**

DESCRIPTION

(30) **Foreign Application Priority Data**

Apr. 22, 1999 (JP) 11-10867

(51) **LOC (7) Cl.** **23-01**

(52) **U.S. Cl.** **D23/233**

(58) **Field of Search** D23/233-237, D23/244-5; 137/565.23; 251/335.3, 129.15

FIG. 1 is a front elevational view showing a vacuum control valve according to the present invention; FIG. 2 is a rear elevational view showing the valve of FIG. 1; FIG. 3 is a top plan view showing the valve of FIG. 1; FIG. 4 is a bottom plan view showing the valve of FIG. 1; FIG. 5 is a right side elevational view showing the valve of FIG. 1; and, FIG. 6 is a left side elevational view showing the valve of FIG. 1.

(56) **References Cited**

U.S. PATENT DOCUMENTS

- 4,795,131 * 1/1989 Scarano et al. 251/63
- 5,615,701 * 4/1997 Yamabe 137/205
- 5,651,528 * 7/1997 Frei et al. 137/335.3

The cords in FIGS. 3, 5 and 6 are shown broken away to indicate indeterminate length.

1 Claim, 4 Drawing Sheets

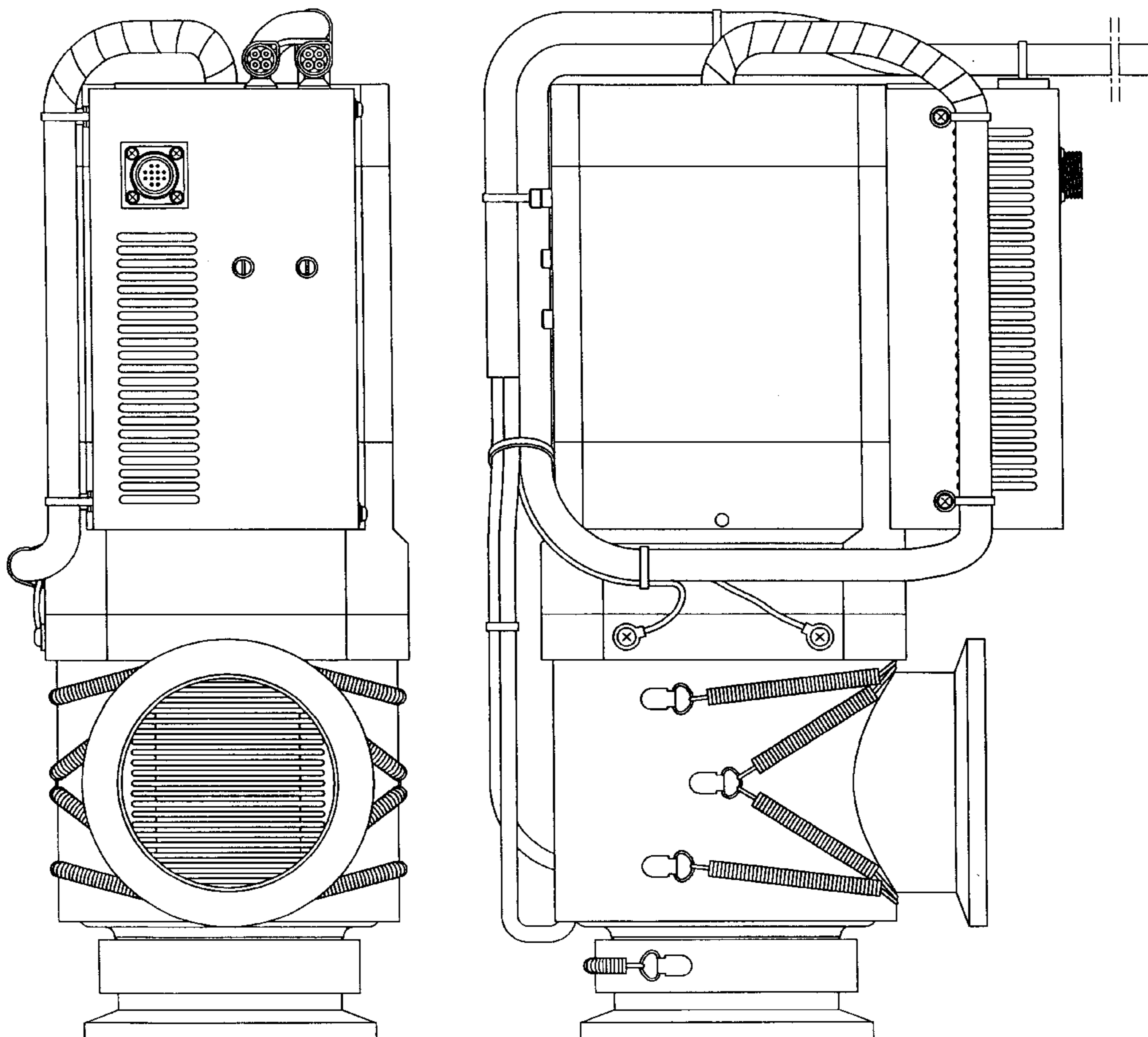


Fig. 1

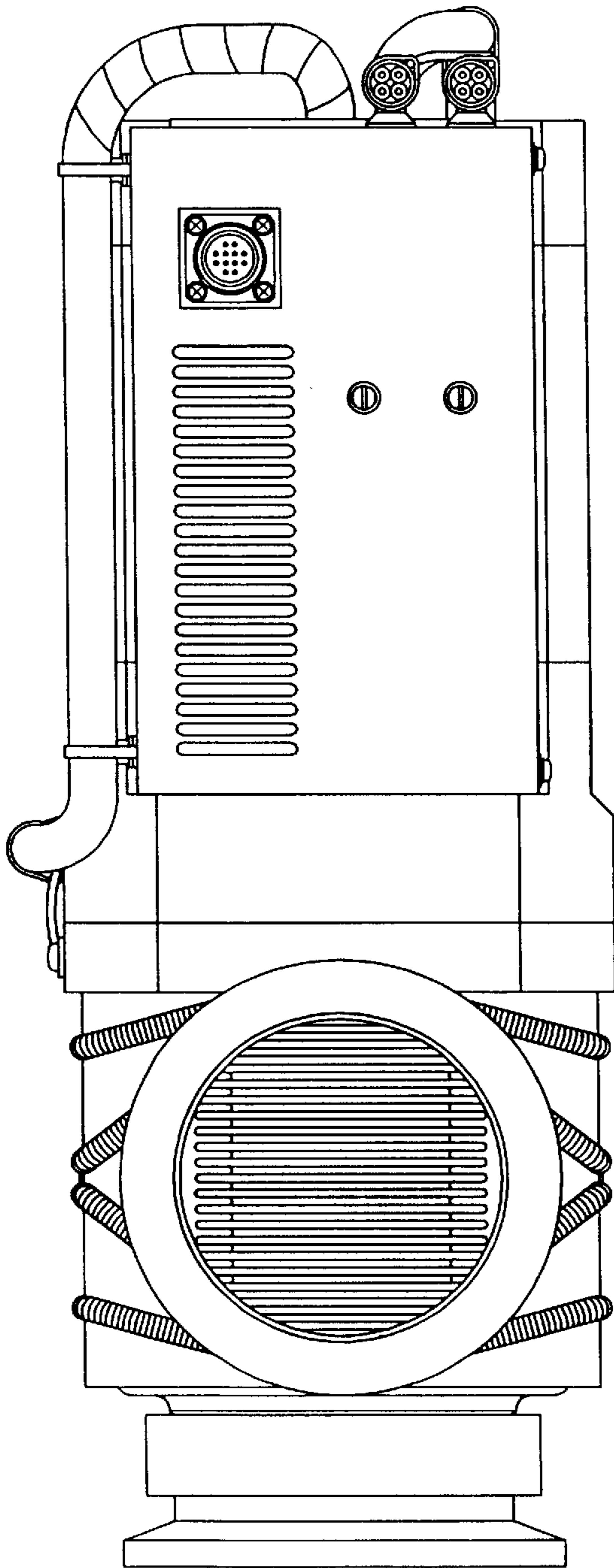


Fig. 2

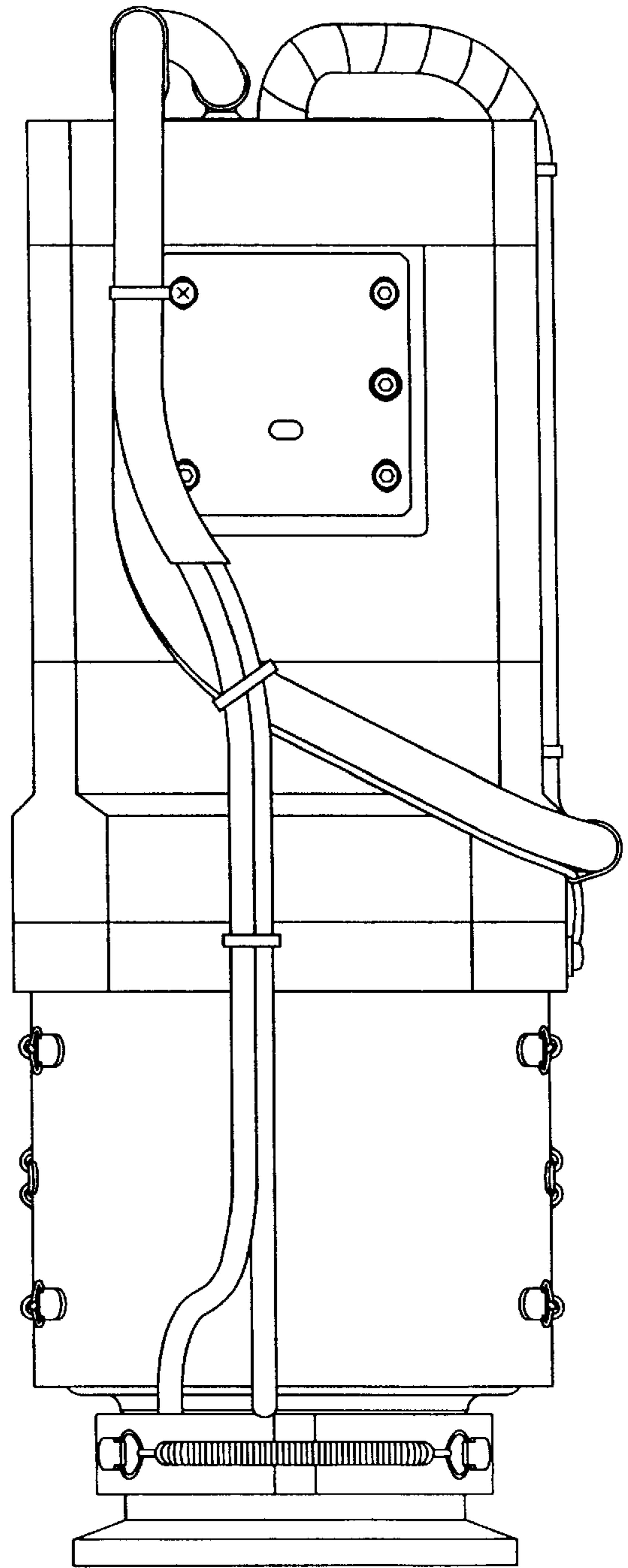


Fig. 3

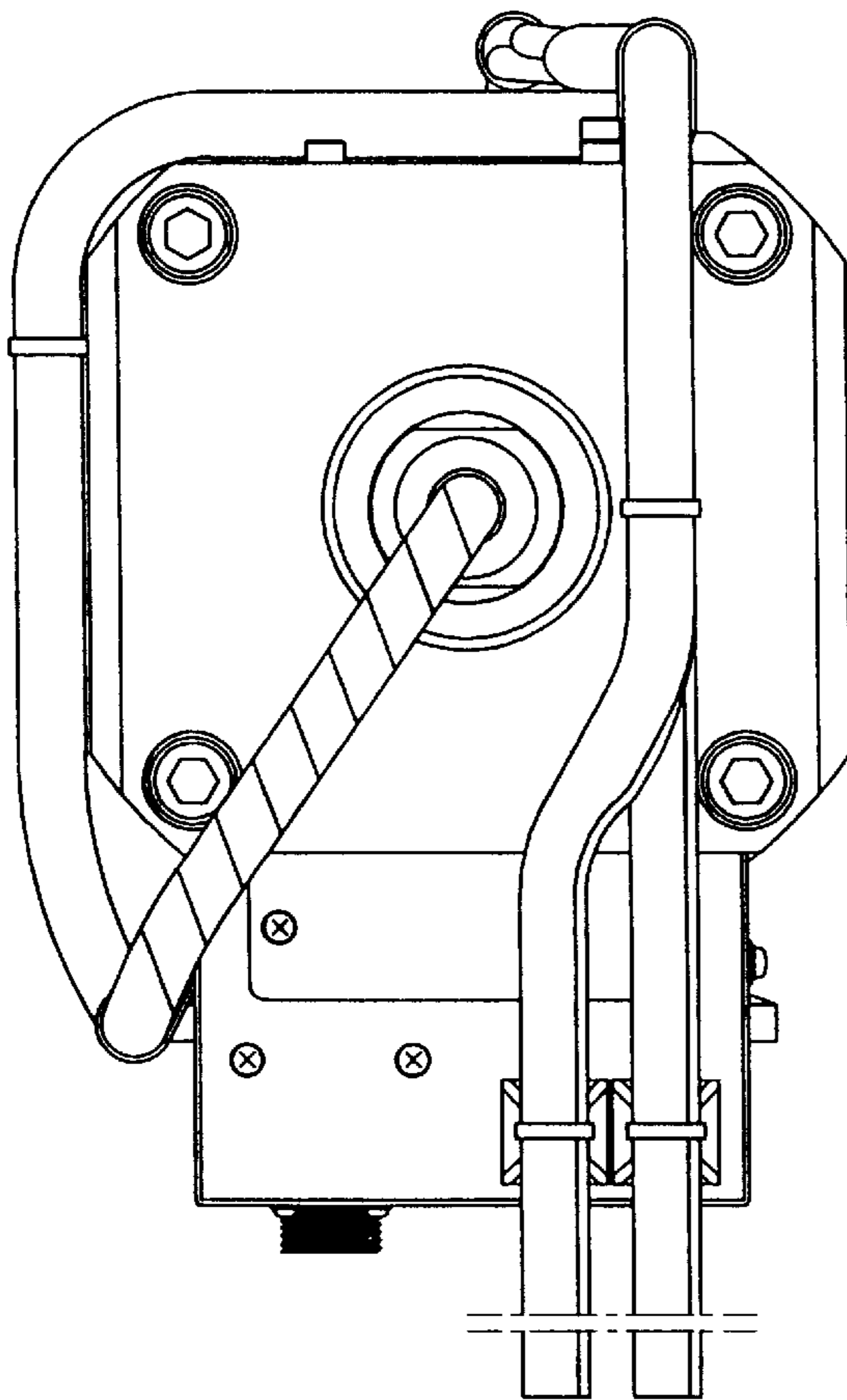


Fig. 4

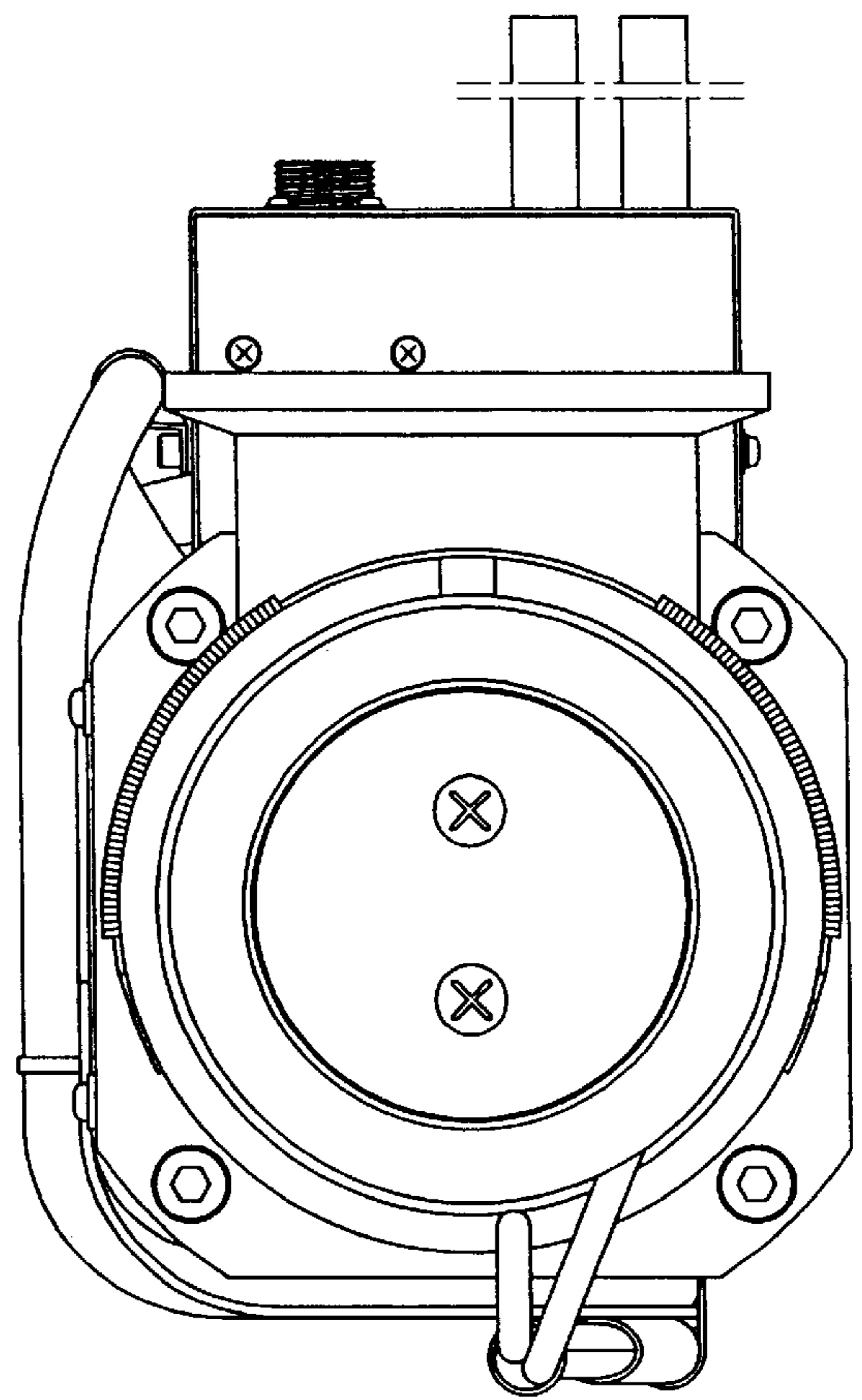


Fig. 5

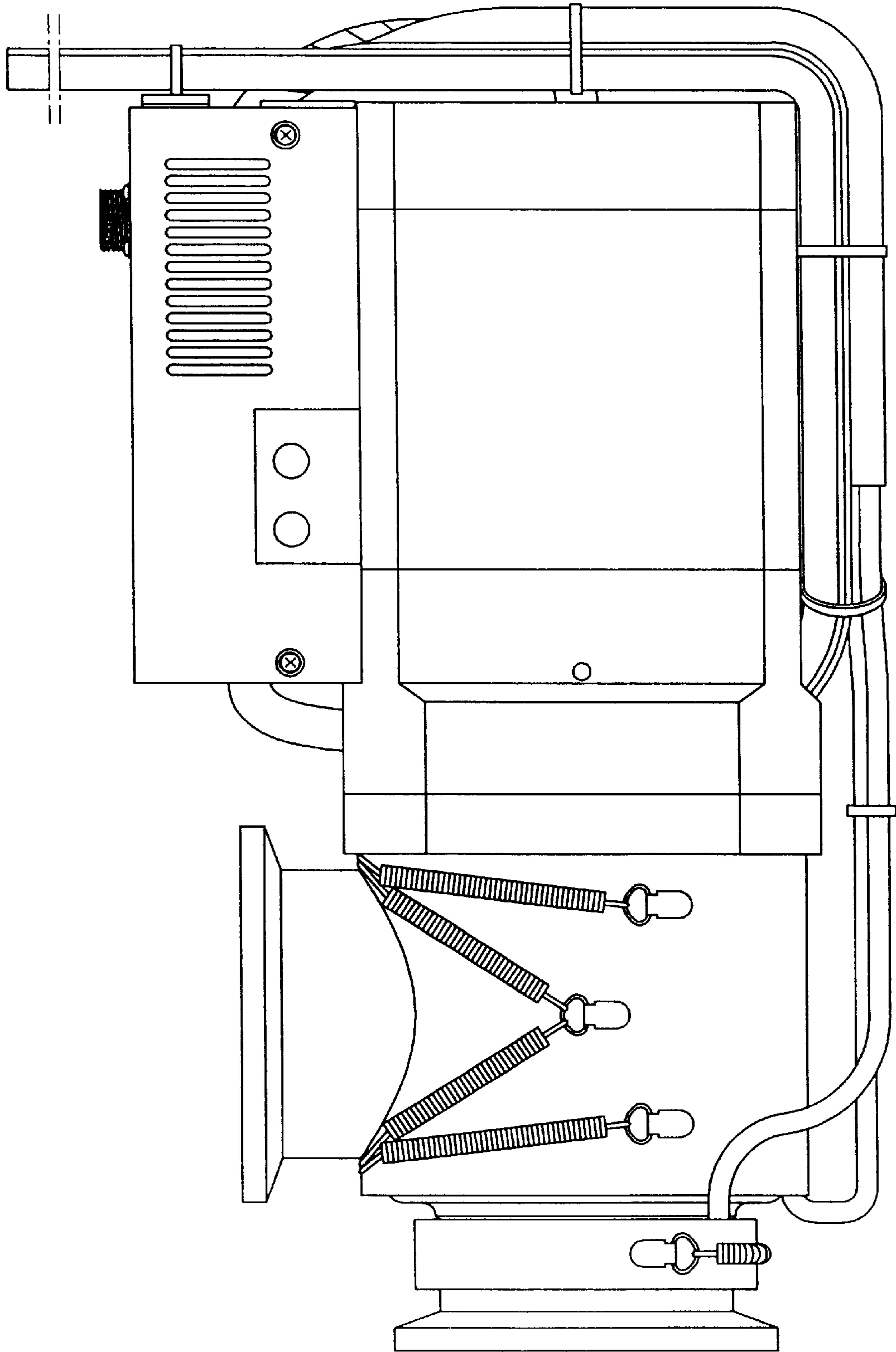


Fig. 6

