



US00D439632S

(12) **United States Design Patent**
King et al.

(10) **Patent No.:** **US D439,632 S**

(45) **Date of Patent:** **** Mar. 27, 2001**

(54) **SPRINKLER BASE**

(75) Inventors: **Courtney A. King**, Ypsilanti, MI (US);
Keechang Han, Shanghai (CN)

(73) Assignee: **Bird Brain, Inc.**, Ypsilanti, MI (US)

(**) Term: **14 Years**

(21) Appl. No.: **29/129,479**

(22) Filed: **Sep. 14, 2000**

Related U.S. Application Data

(62) Division of application No. 29/119,674, filed on Mar. 3, 2000.

(51) **LOC (7) Cl.** **23-01**

(52) **U.S. Cl.** **D23/221**

(58) **Field of Search** D23/213-215,
D23/221; 239/273, 276, 279

(56) **References Cited**

U.S. PATENT DOCUMENTS

| | | | | | |
|------------|---|---------|---------------|-------|---------|
| D. 163,470 | * | 5/1951 | Nelson | | D23/221 |
| D. 243,239 | * | 2/1977 | Hutton et al. | | D23/221 |
| D. 326,502 | * | 5/1992 | Arnold | | D23/221 |
| 3,113,723 | | 12/1963 | Arnt | . | |

OTHER PUBLICATIONS

Sherman catalog; Step Spike #1719; p. 19, 1995.*

* cited by examiner

Primary Examiner—Robin V. Taylor

(74) *Attorney, Agent, or Firm*—Young & Basile, P.C.

(57) **CLAIM**

The ornamental design for a sprinkler base, as shown and described.

DESCRIPTION

FIG. 1 is a perspective view of a sprinkler base according to the invention;

FIG. 2 is a front elevational view of the sprinkler base of FIG. 1;

FIG. 3 is a top plan view of the sprinkler base of FIG. 1;

FIG. 4 is a left side elevational view of the sprinkler base of FIG. 1;

FIG. 5 is a right side elevational view of the sprinkler base of FIG. 1;

FIG. 6 is a rear elevational view of the sprinkler base of FIG. 1; and,

FIG. 7 is a bottom plan view of the sprinkler base of FIG. 1.

The broken line showing is for illustrative purposes only and forms no part of the claimed design.

1 Claim, 4 Drawing Sheets

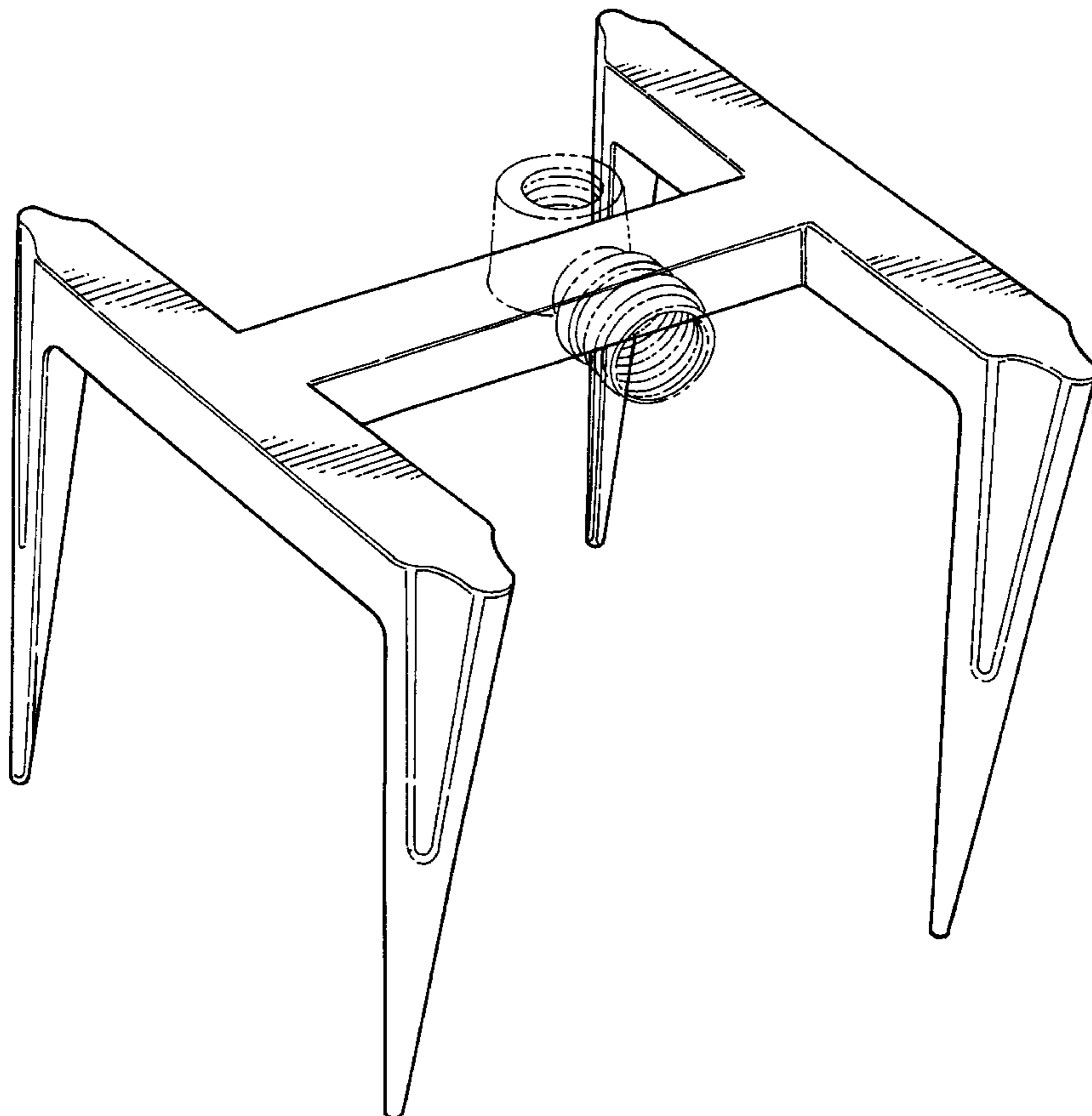


FIG-1

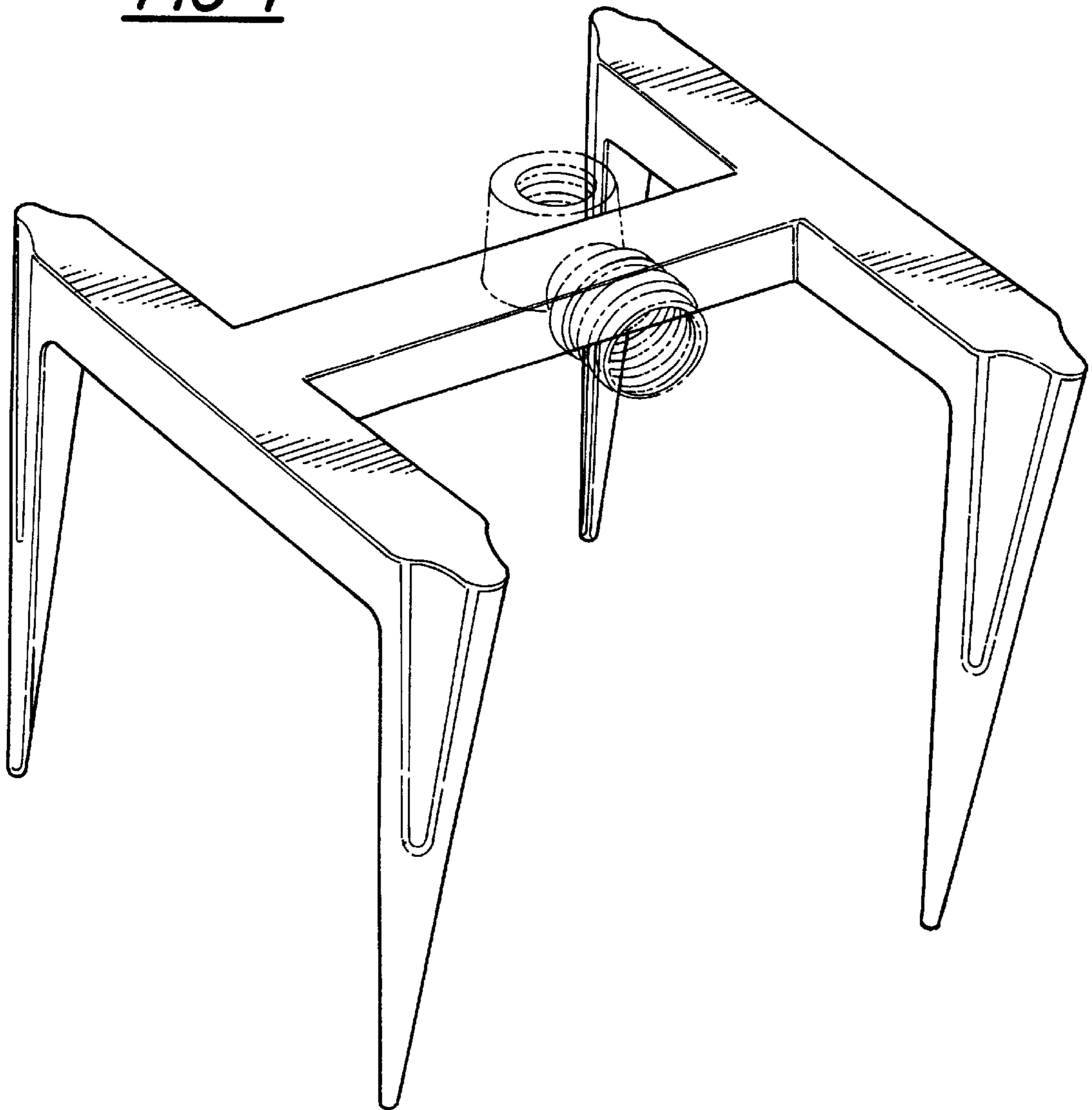


FIG - 3

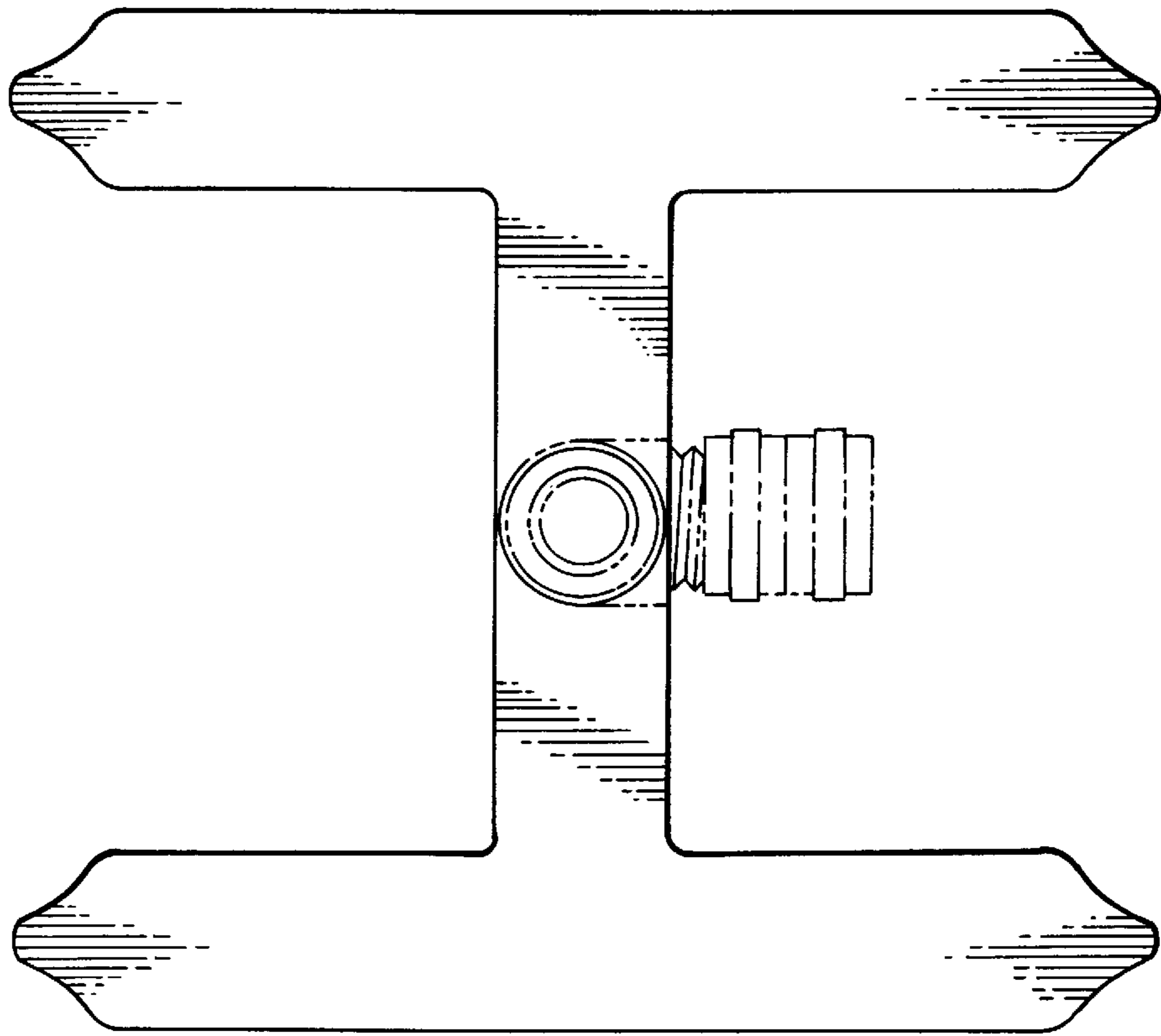
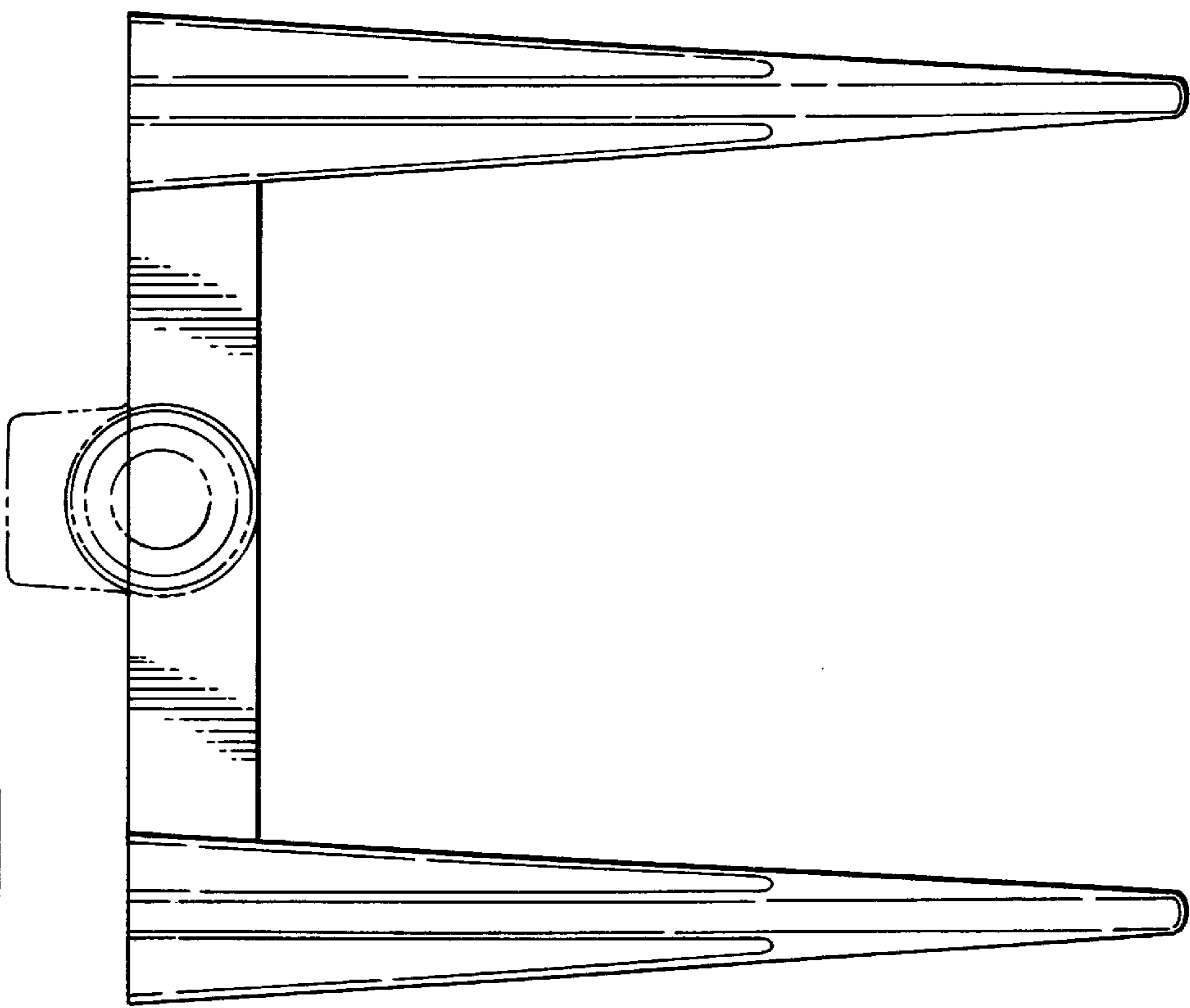


FIG-2



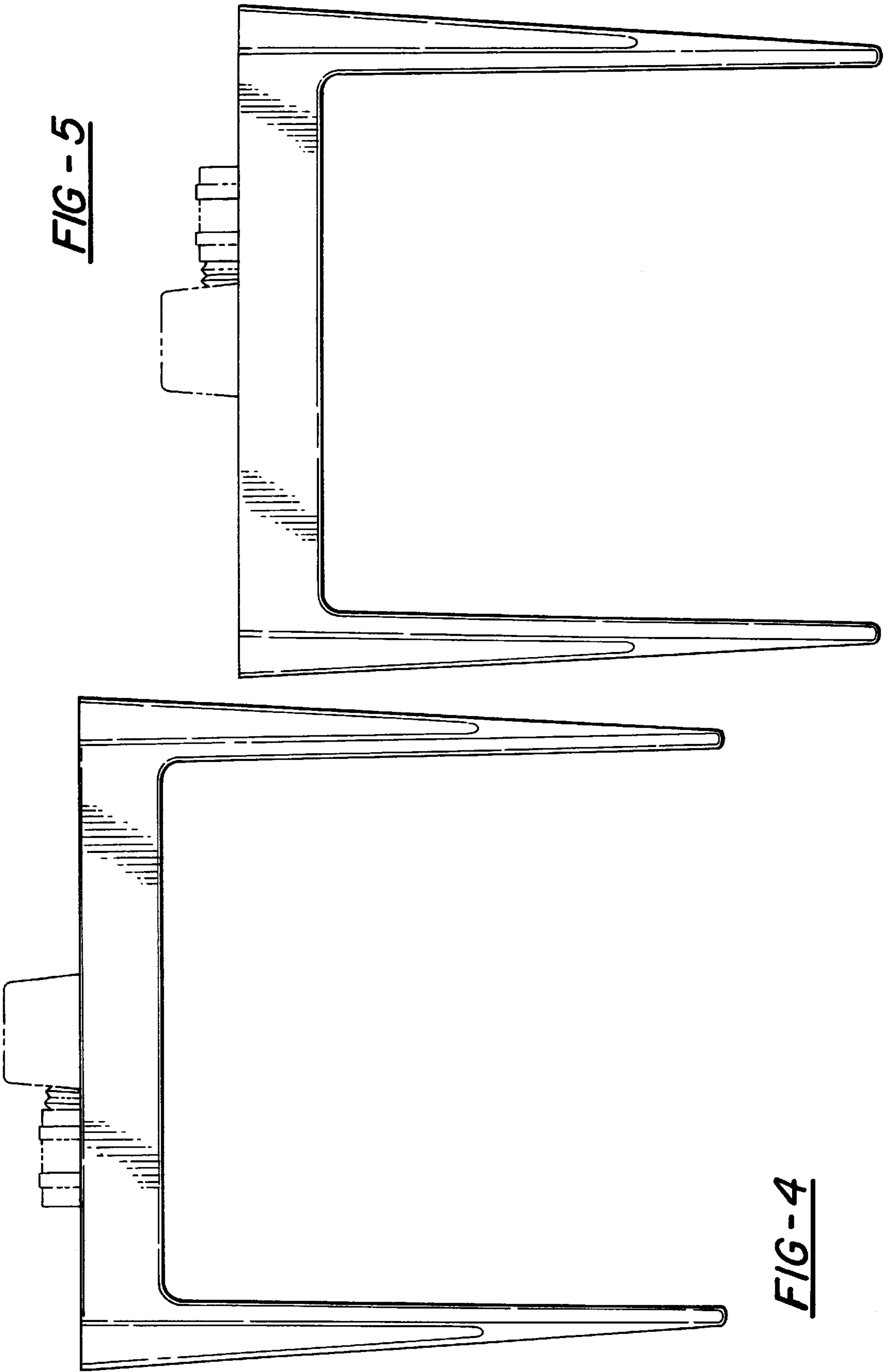


FIG - 5

FIG - 4

FIG-7

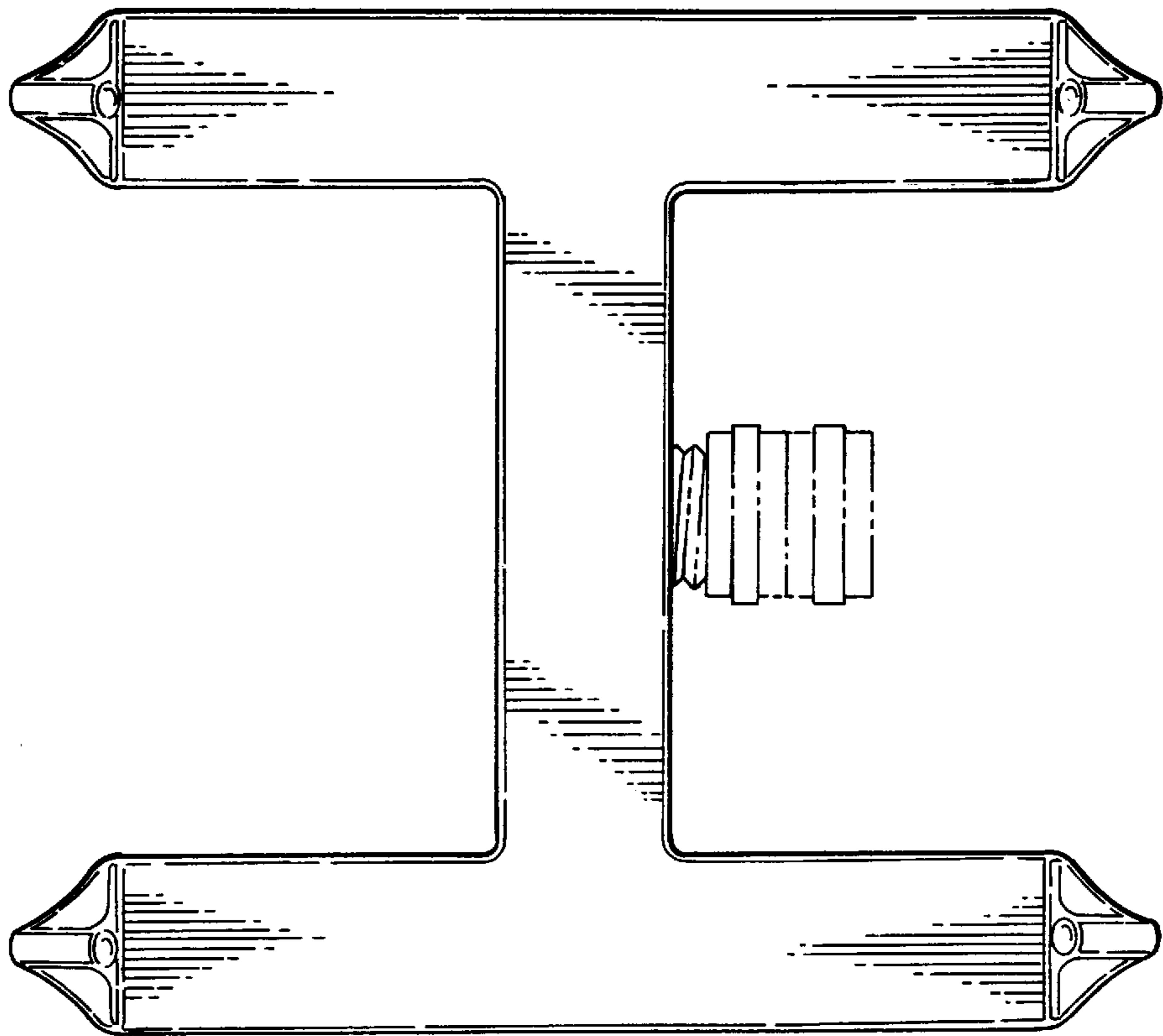


FIG-6

