



US00D439622S

(12) **United States Design Patent**  
**Golad et al.**

(10) **Patent No.:** **US D439,622 S**

(45) **Date of Patent:** **\*\* Mar. 27, 2001**

(54) **HOLDER FOR CARDS, DICE AND TILES**

(75) Inventors: **Adar Golad**, Scherenenkweg 16, 8051  
KH Hattem (NL); **Dirk Ludovica**  
**Oscar de Haene**, Borgerhout; **Gert**  
**Yves Junes**, Berchem, both of (BE)

(73) Assignee: **Adar Golad**, Hattem (NL)

(\*\*) Term: **14 Years**

(21) Appl. No.: **29/108,603**

(22) Filed: **Jun. 4, 1996**

(30) **Foreign Application Priority Data**

Dec. 4, 1995 (BX) ..... 71367-01

(51) **LOC (7) Cl.** ..... **21-01**

(52) **U.S. Cl.** ..... **D21/392**; D21/392-396;  
D19/90; D19/91; 273/148 A; 273/148 R;  
273/130; 273/151

(58) **Field of Search** ..... D19/90, 91; D21/392-396;  
273/148 A, 148 R, 150, 151

(56) **References Cited**

**U.S. PATENT DOCUMENTS**

D. 190,157 \* 4/1961 Bowen ..... D19/91

D. 264,358 \* 5/1982 Welteroth ..... D21/392  
D. 397,735 \* 9/1998 Spranger ..... D21/392  
D. 420,704 \* 2/2000 Coe ..... D19/75  
5,094,455 \* 3/1992 Persuy ..... 273/150

\* cited by examiner

*Primary Examiner*—Sandra L. Morris

(74) *Attorney, Agent, or Firm*—Abelman, Frayne &  
Schwab

(57) **CLAIM**

We, claim the ornamental design for a holder for cards, dice  
and tiles, as shown and described.

**DESCRIPTION**

FIG. 1 is a top plan view of the holder for cards, dice and  
tiles, showing our new design.

FIG. 2 is a front perspective view thereof;

FIG. 3 is a front elevation thereof;

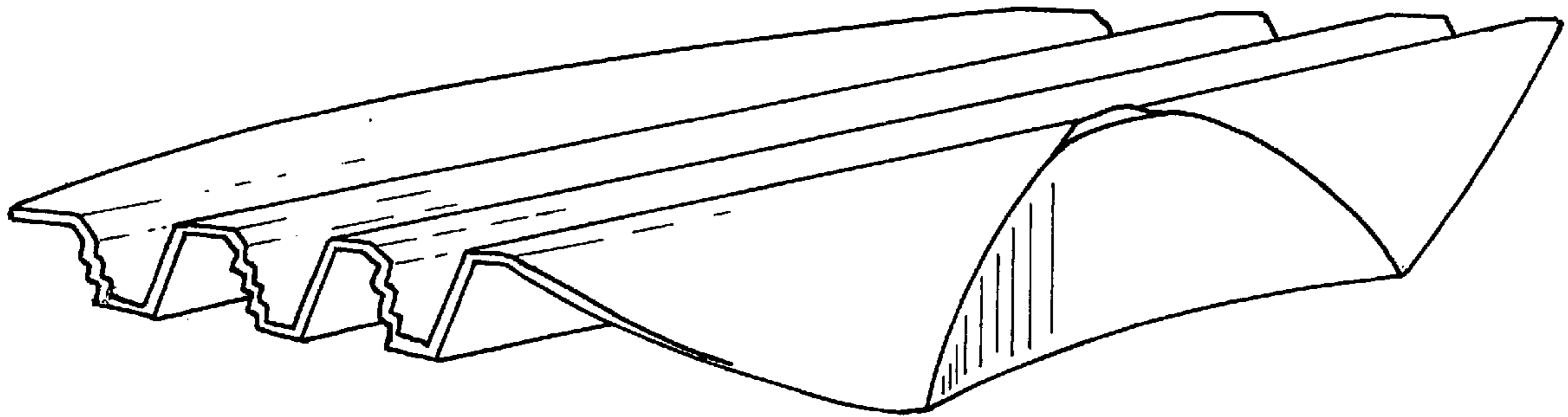
FIG. 4 is a rear elevation thereof;

FIG. 5 is a right side view thereof;

FIG. 6 is a left view thereof; and,

FIG. 7 is an underside plan view.

**1 Claim, 4 Drawing Sheets**



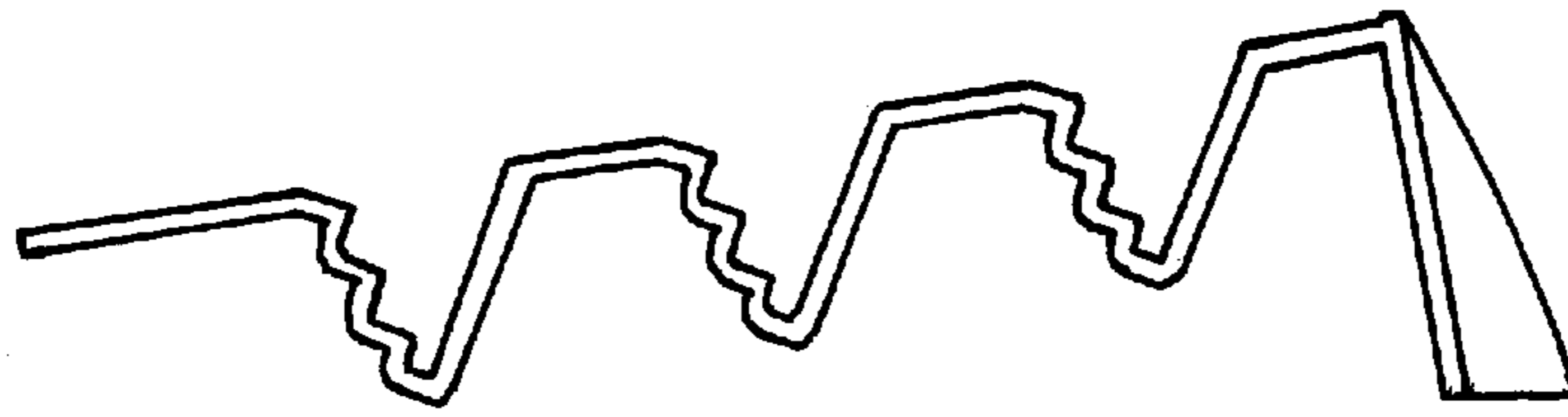


FIG. 5

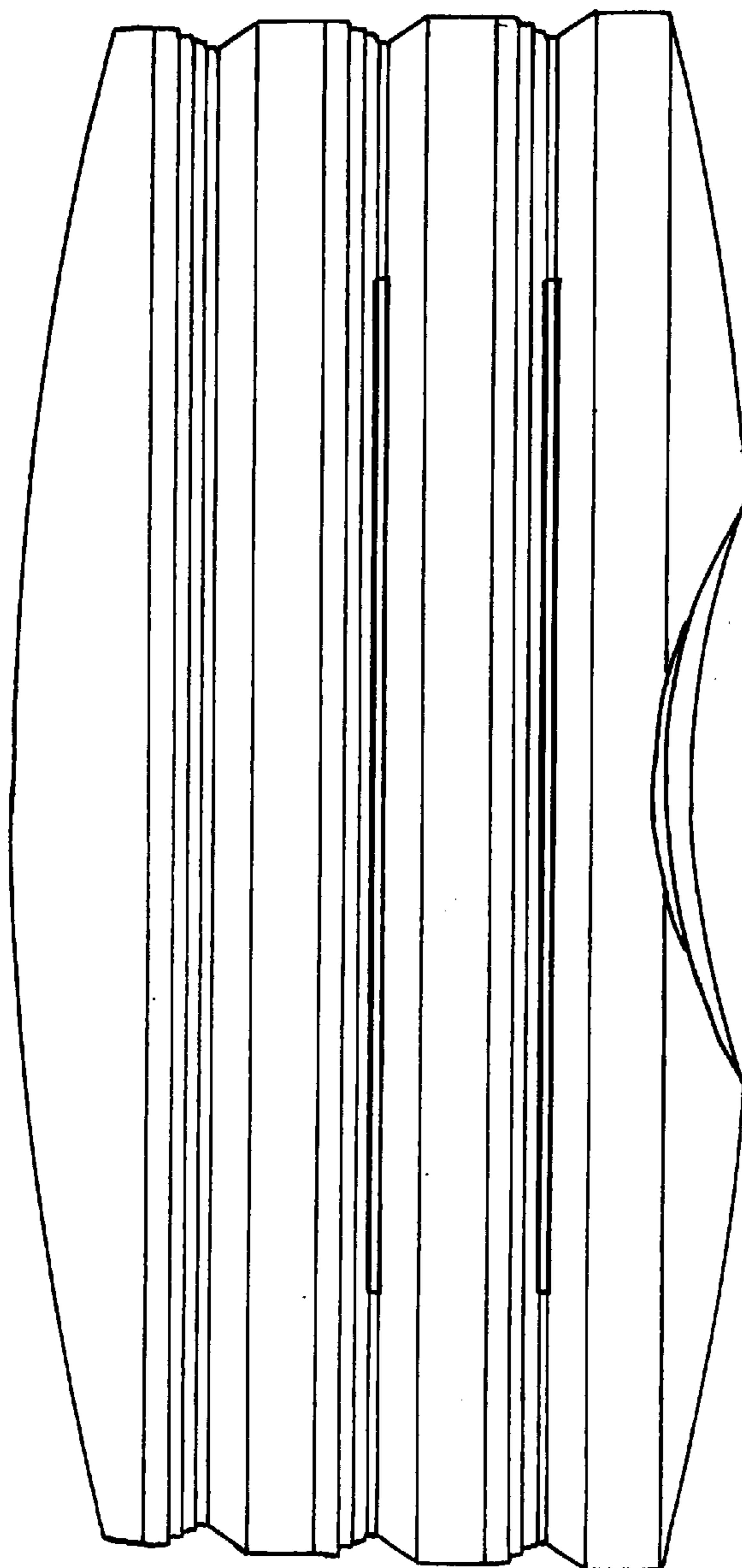


FIG. 1

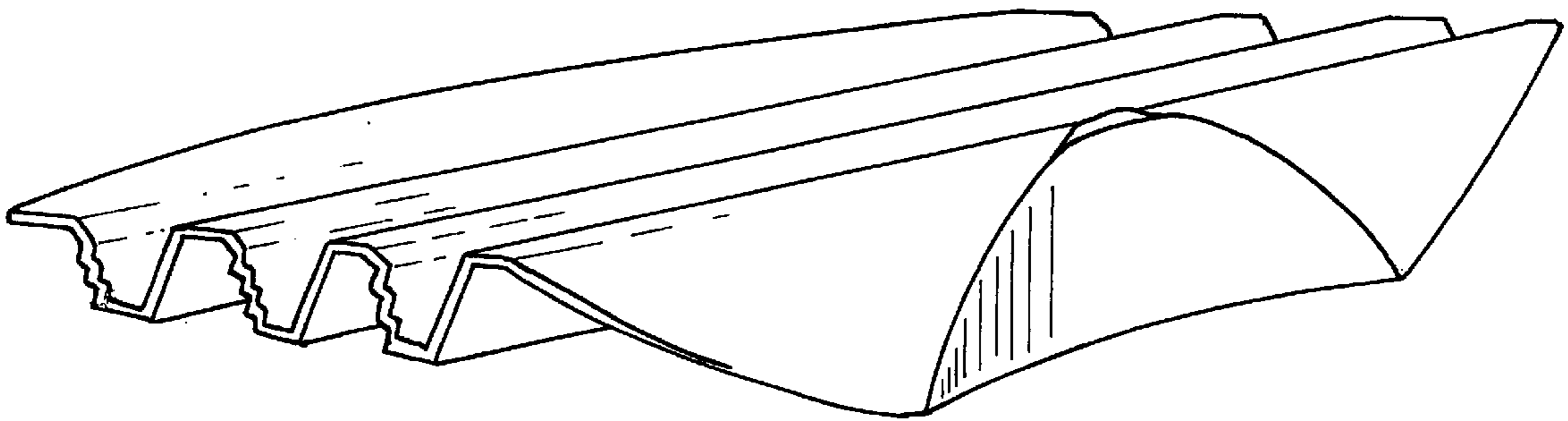


FIG. 2



FIG. 4

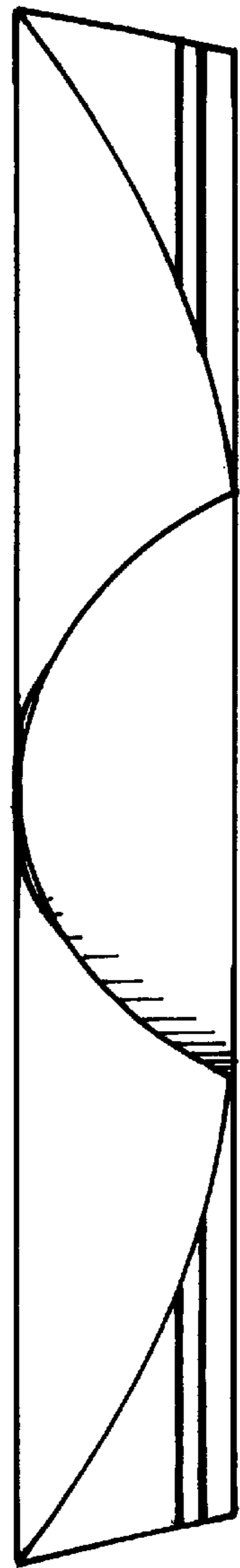


FIG. 3

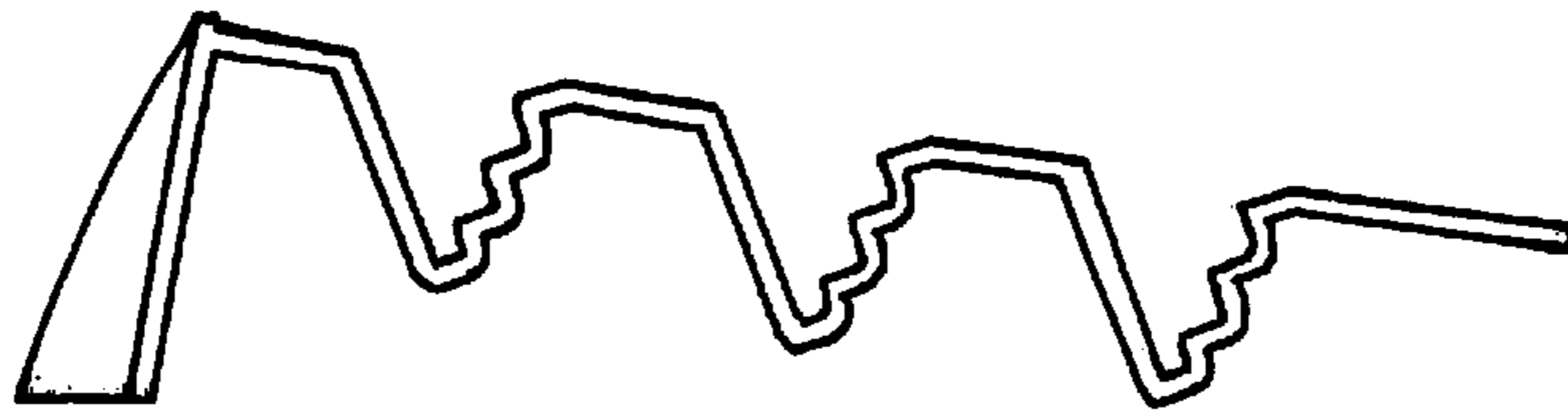


FIG. 6

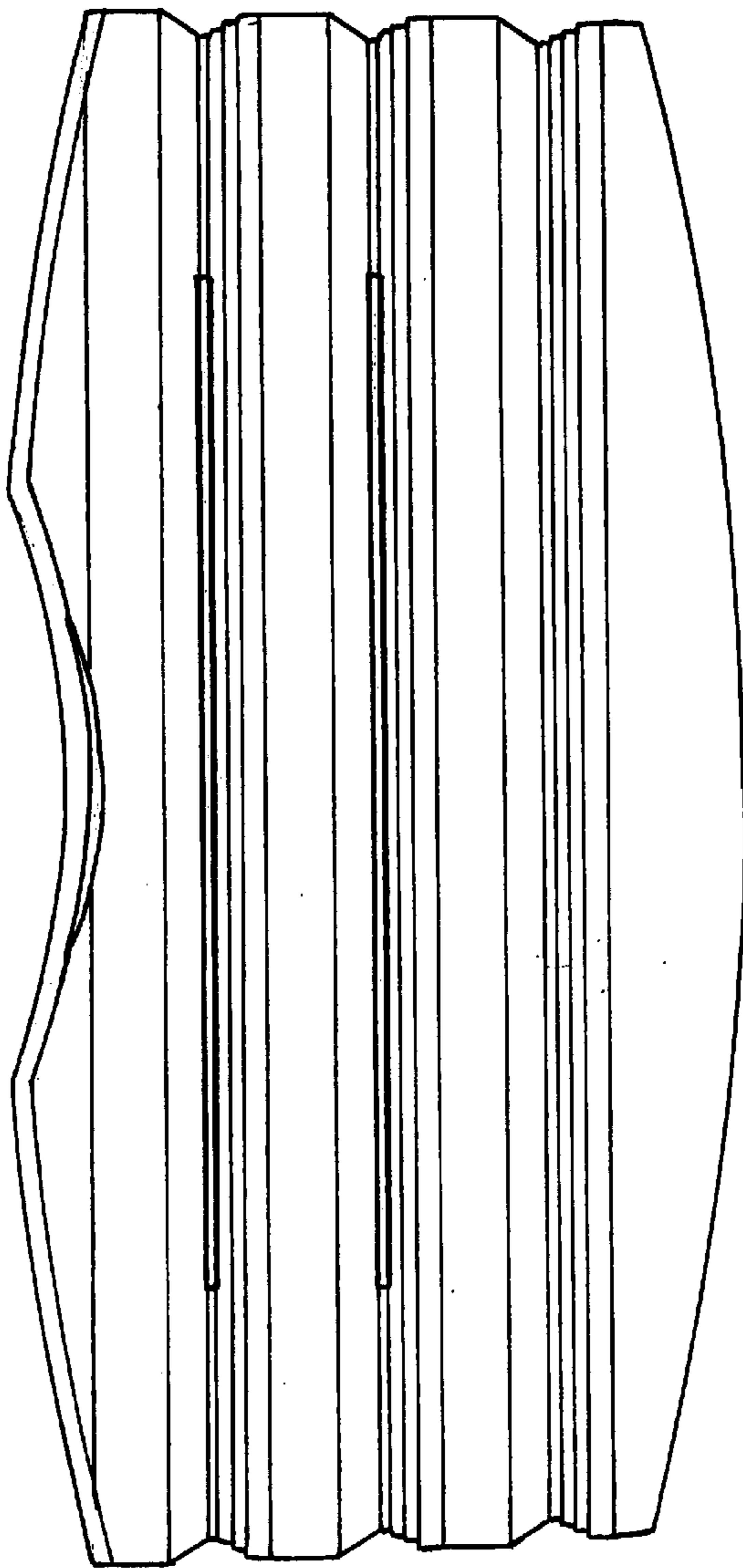


FIG. 7