



US00D439618S

(12) **United States Design Patent**
Nucci et al.

(10) **Patent No.:** **US D439,618 S**

(45) **Date of Patent:** **** Mar. 27, 2001**

(54) **MODEL OF LIGHTED PANEL DEVICES**

(75) Inventors: **Giuseppe Nucci; Enrico Testa**, both of Rome (IT)

(73) Assignee: **So.I.e. Societa Luce Elettrica S.p.A. Gruppo Enel**, Perugia (IT)

(**) Term: **14 Years**

(21) Appl. No.: **29/113,468**

(22) Filed: **Nov. 4, 1999**

(30) **Foreign Application Priority Data**

May 4, 1999 (IT) RM9900095

(51) **LOC (7) Cl.** **19-08**

(52) **U.S. Cl.** **D20/10**

(58) **Field of Search** D20/10, 17, 21, D20/41; 40/33, 44, 124, 124.1, 152.1, 479; 229/8, 23 R

(56) **References Cited**

U.S. PATENT DOCUMENTS

- D. 305,778 * 1/1990 Caulk D20/21
- D. 322,096 * 12/1991 Adams D20/41

- 938,710 * 11/1909 Russell 40/479
- 939,768 * 11/1909 Whiteside 40/479
- 2,833,065 * 5/1958 Kies 40/479
- 3,135,063 * 6/1964 Ricks D20/21
- 4,353,179 * 10/1982 Jennings 40/479

* cited by examiner

Primary Examiner—Marcus A. Jackson

(74) *Attorney, Agent, or Firm*—Browdy And Neimark

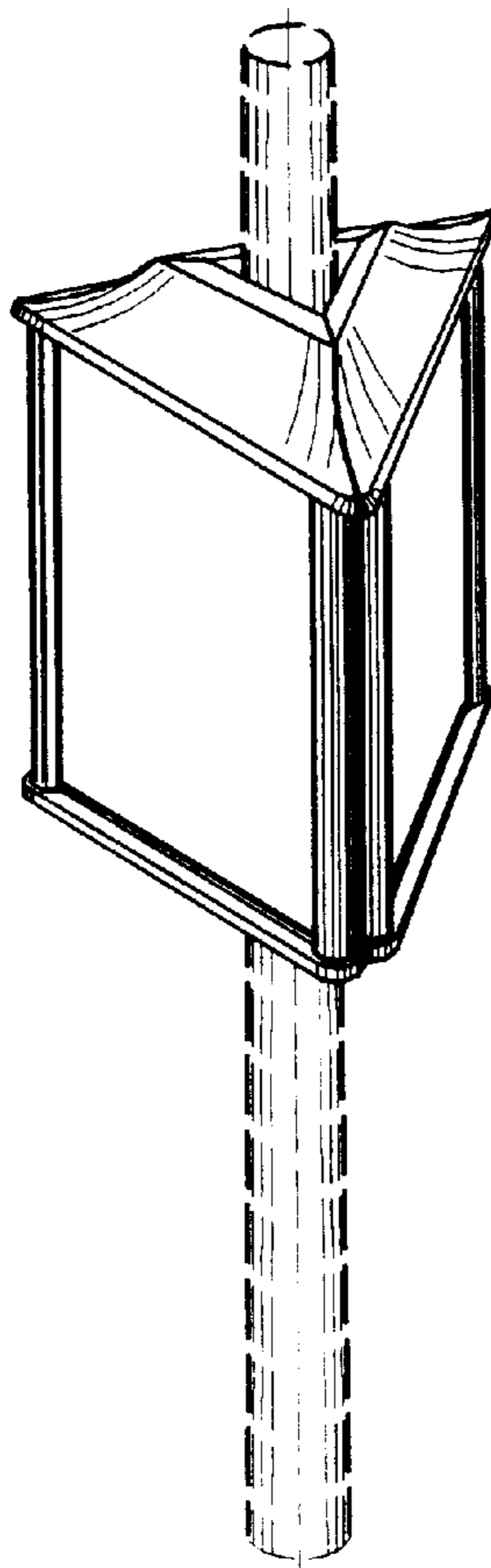
(57) **CLAIM**

The ornamental design for a model of lighted panel devices, as shown and described.

DESCRIPTION

FIG. 1 is a perspective view of a model of lighted panel devices in accordance with the present design, with the broken lines showing for illustrative purposes only and forming no part of the claimed design;
 FIG. 2 is a top plan view thereof;
 FIG. 3 is a lateral right view thereof;
 FIG. 4 is a lateral left view thereof;
 FIG. 5 is a front elevation view thereof;
 FIG. 6 is a bottom plan view thereof; and,
 FIG. 7 is a rear elevation thereof.

1 Claim, 1 Drawing Sheet



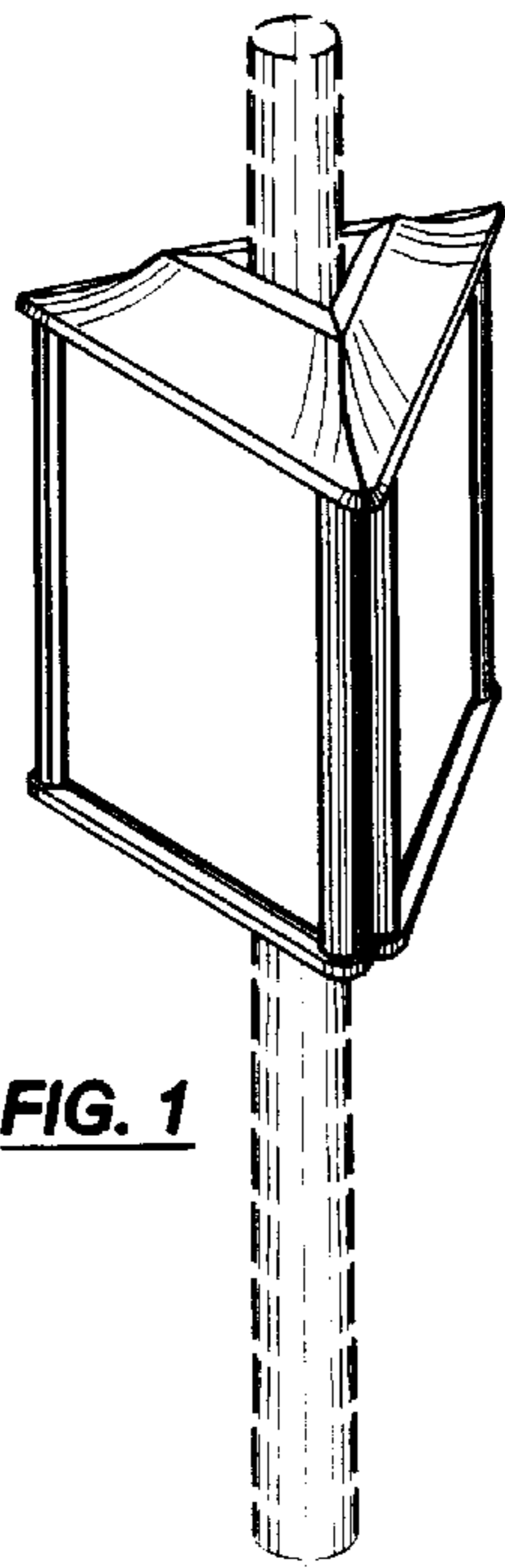


FIG. 1

FIG. 2

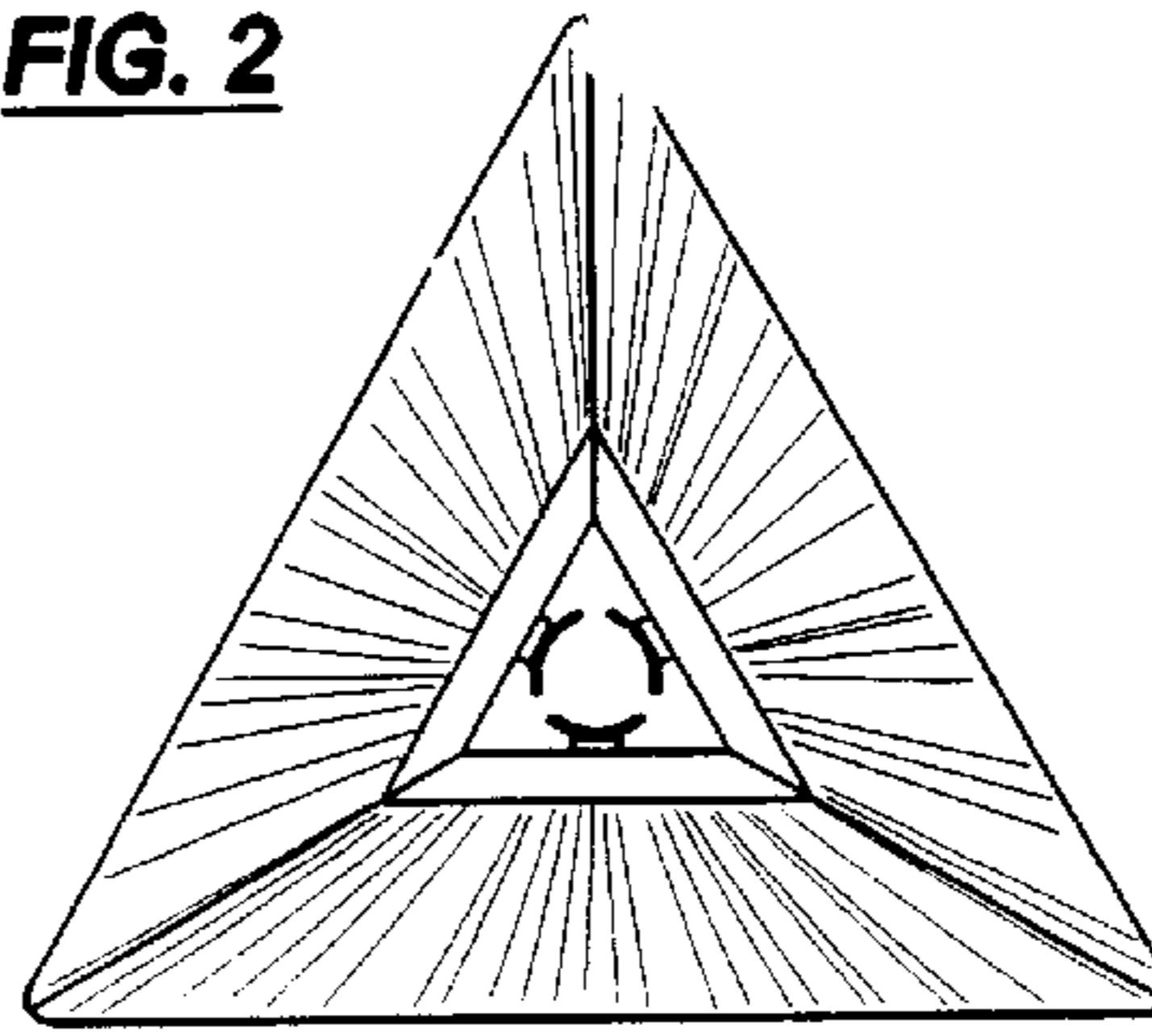


FIG. 3

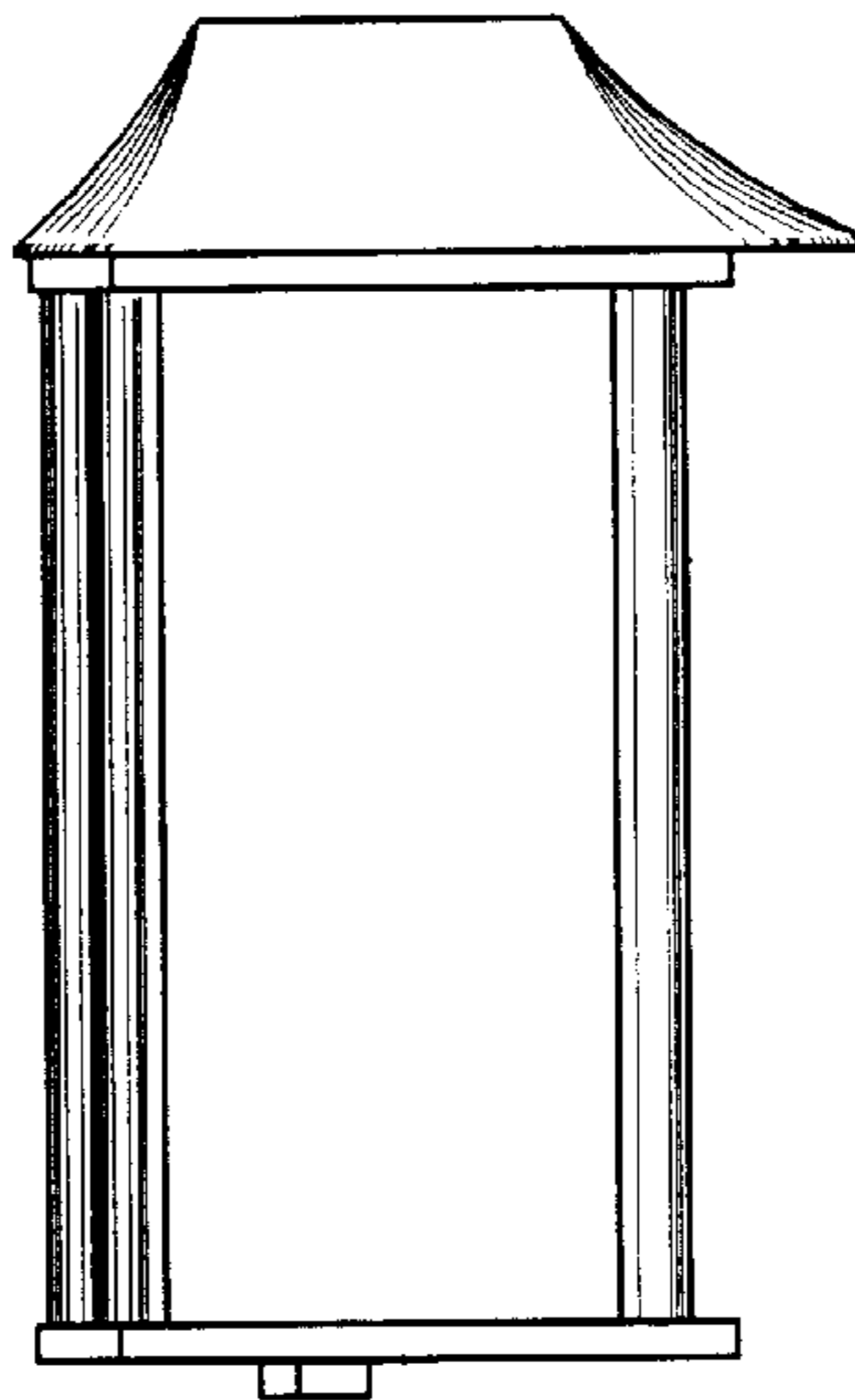


FIG. 4

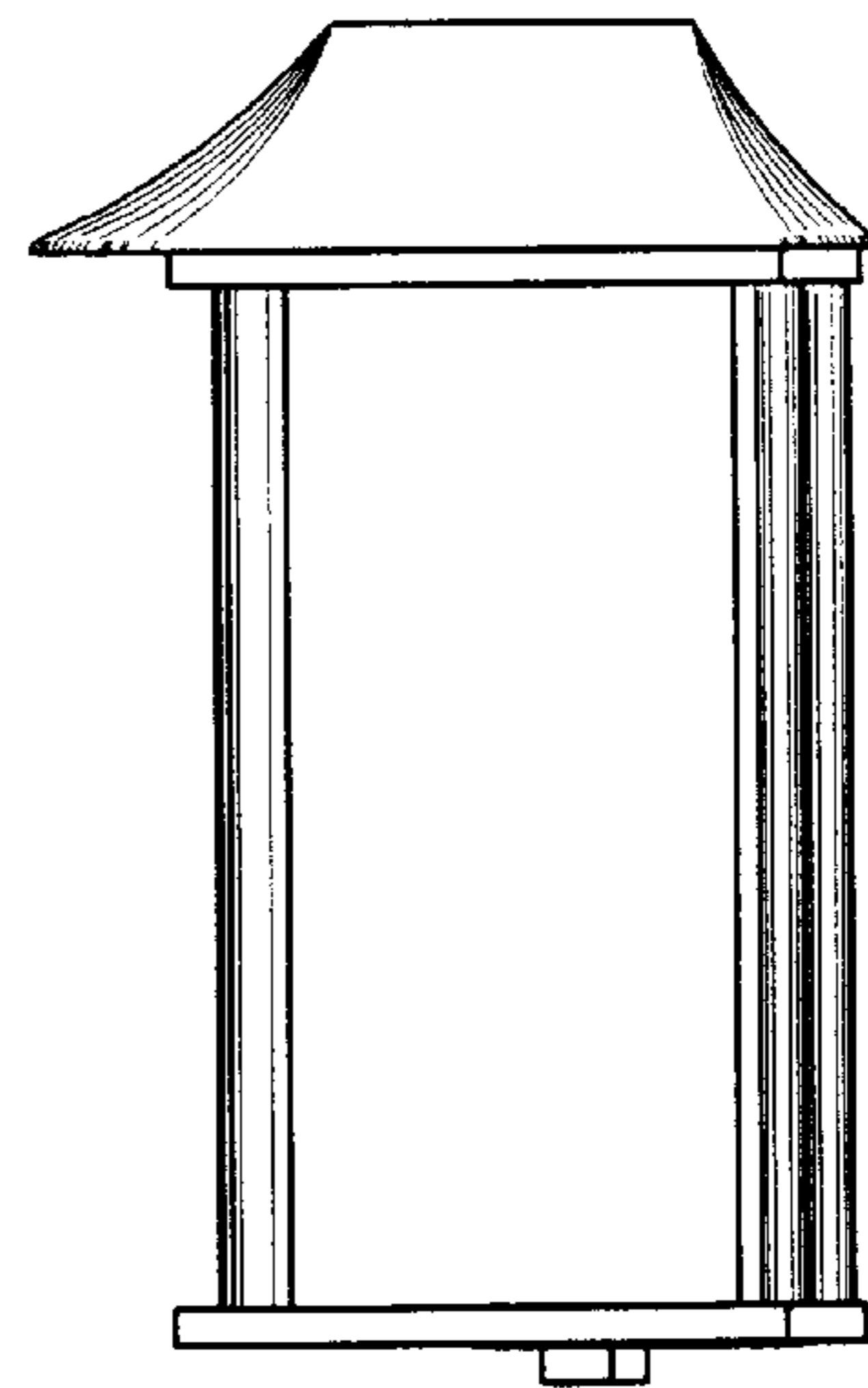


FIG. 5

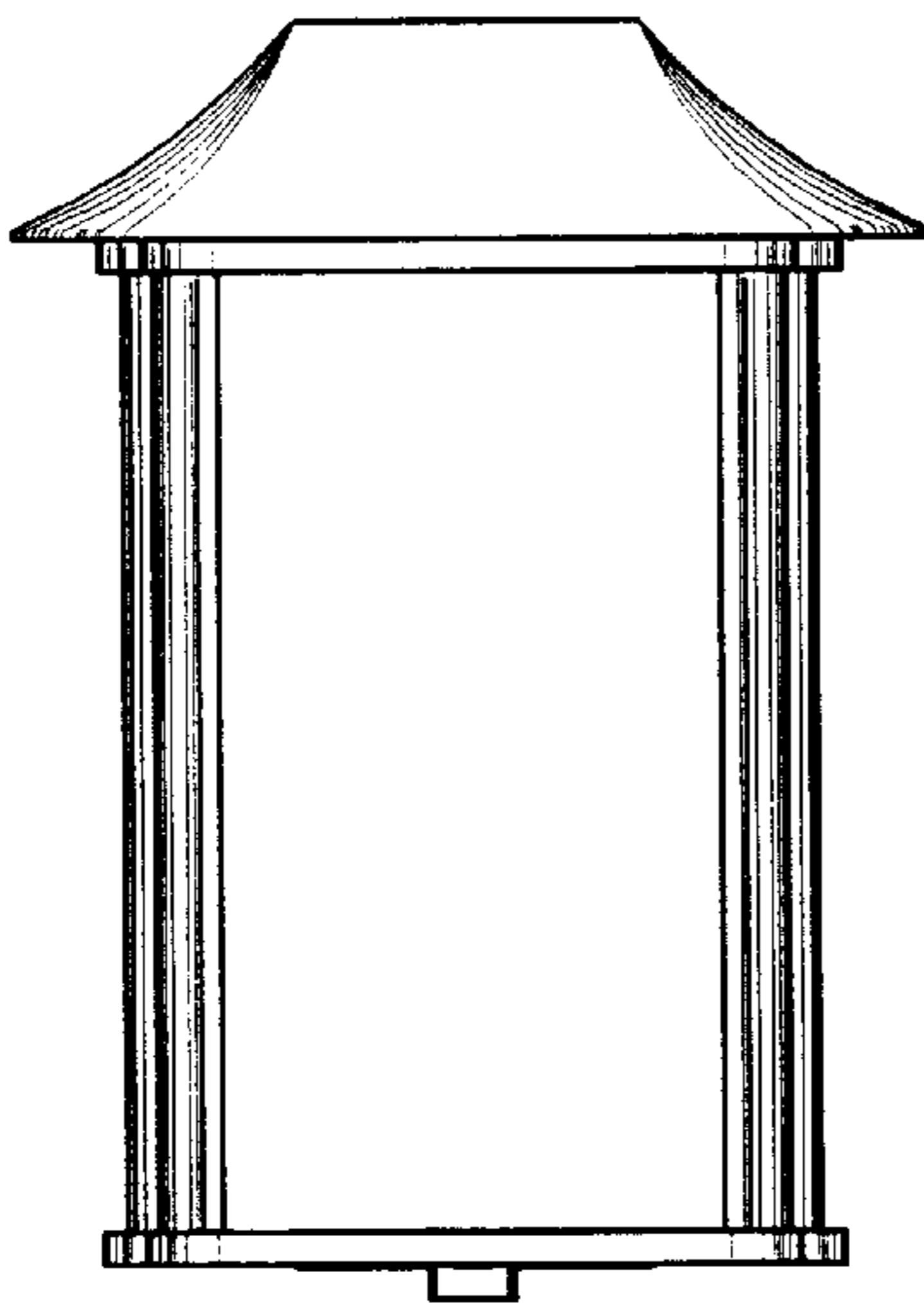


FIG. 7

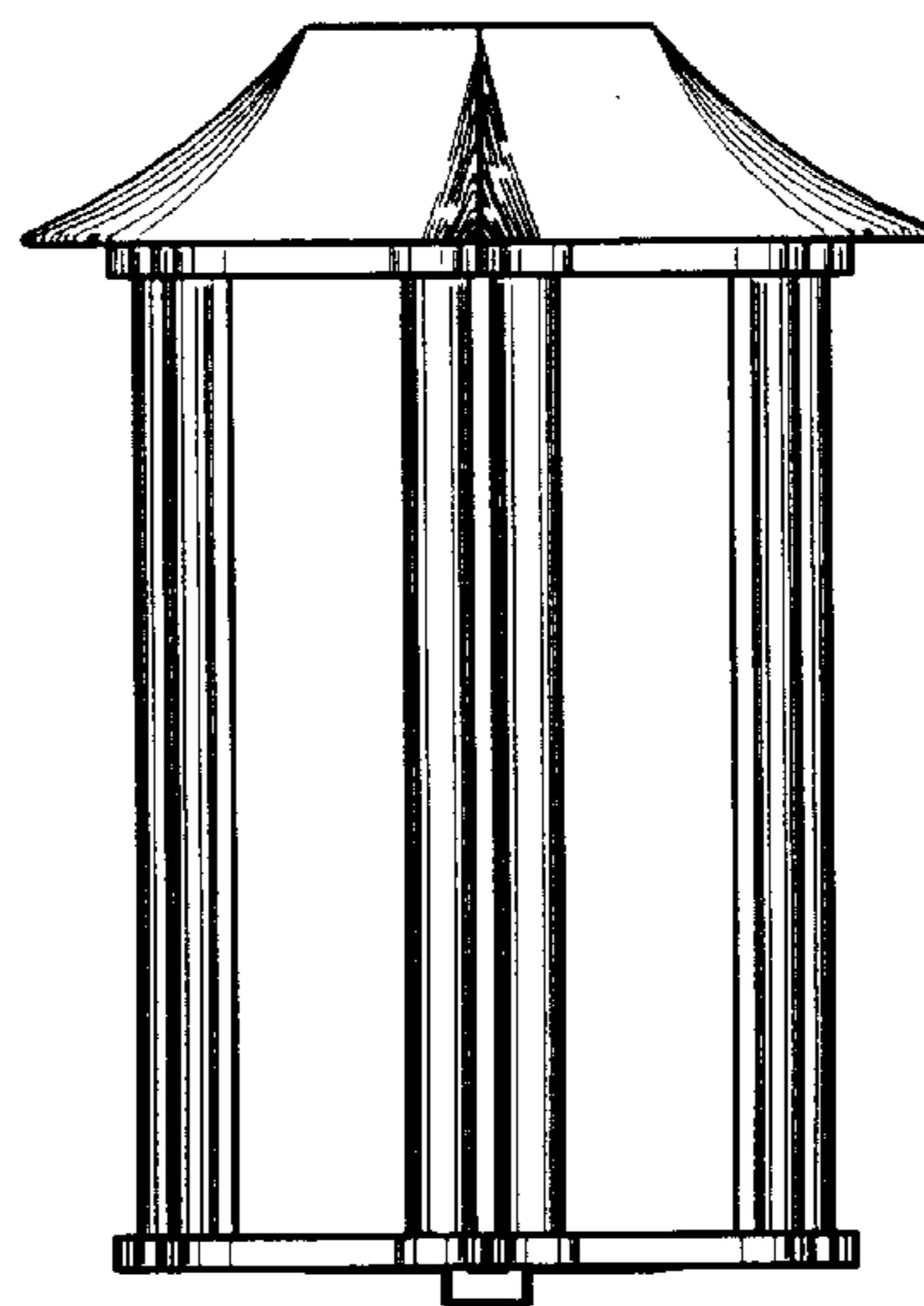


FIG. 6

