



US00D439610S

(12) **United States Design Patent**
Inoue

(10) **Patent No.:** **US D439,610 S**

(45) **Date of Patent:** **** Mar. 27, 2001**

(54) **SCANNER CARTRIDGE FOR PRINTER**

(75) Inventor: **Manabu Inoue**, London (GB)

(73) Assignee: **Canon Kabushiki Kaisha**, Tokyo (JP)

(**) Term: **14 Years**

(21) Appl. No.: **29/119,517**

(22) Filed: **Mar. 2, 2000**

(30) **Foreign Application Priority Data**

Sep. 7, 1999 (JP) 11-24056

(51) **LOC (7) Cl.** **18-02**

(52) **U.S. Cl.** **D18/56; 347/86**

(58) **Field of Search** D18/56, 43; 347/86,
347/87

(56) **References Cited**

U.S. PATENT DOCUMENTS

- D. 371,389 * 7/1996 Taneya et al. D18/56
- D. 373,138 * 8/1996 Tokuda et al. D18/56
- D. 375,523 * 11/1996 Murray D18/56
- D. 390,598 * 2/1998 Miyazawa et al. D18/56

- D. 400,573 * 11/1998 Inoue et al. D18/56
- D. 407,746 * 4/1999 Fujii et al. D18/56
- D. 409,236 * 5/1999 Fujii et al. D18/56
- D. 412,526 * 8/1999 Shimizu et al. D18/56
- 5,886,720 * 3/1999 Sasaki 347/86

* cited by examiner

Primary Examiner—Cathy Anne MacCormac

(74) *Attorney, Agent, or Firm*—Fitzpatrick, Cella, Harper & Scinto

(57) **CLAIM**

The ornamental design for a scanner cartridge for printer, as shown and described.

DESCRIPTION

FIG. 1 is a front view of a scanner cartridge for printer showing my new design;
 FIG. 2 is a rear view thereof;
 FIG. 3 is a top plan view thereof;
 FIG. 4 is a bottom plan view thereof;
 FIG. 5 is a left side view thereof;
 FIG. 6 is a right side view thereof; and,
 FIG. 7 is a perspective view thereof.

1 Claim, 4 Drawing Sheets

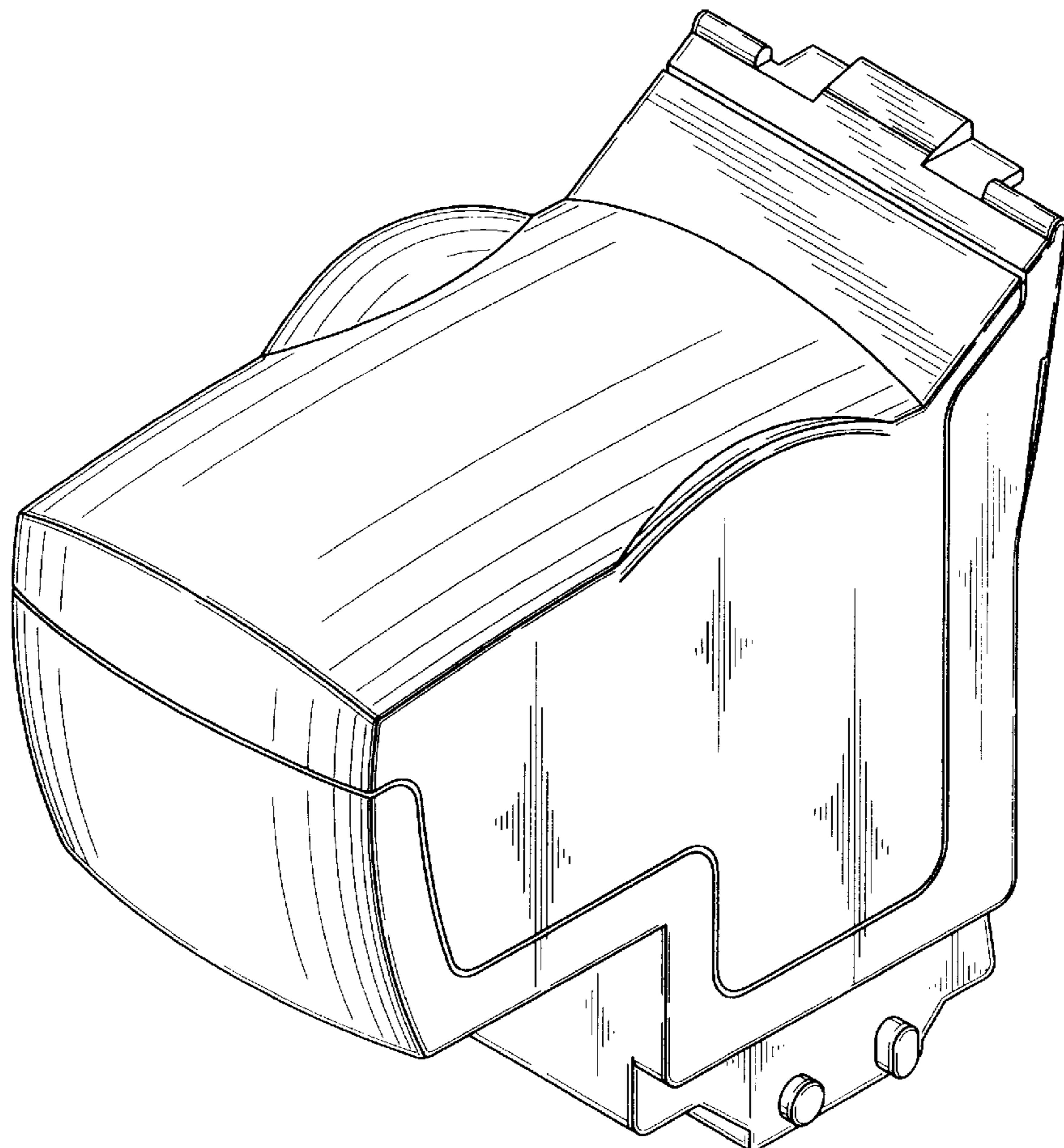


FIG. 1

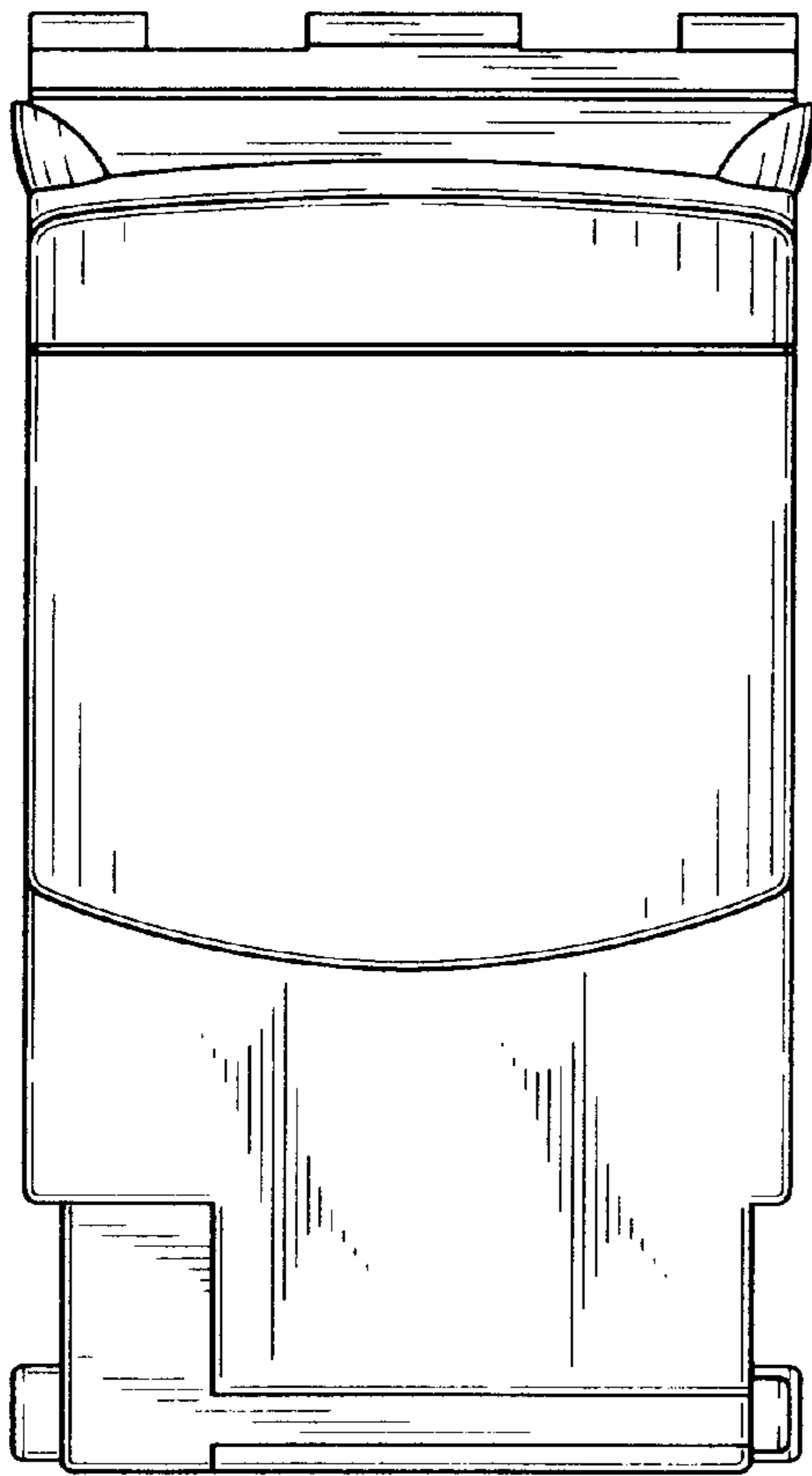


FIG. 2

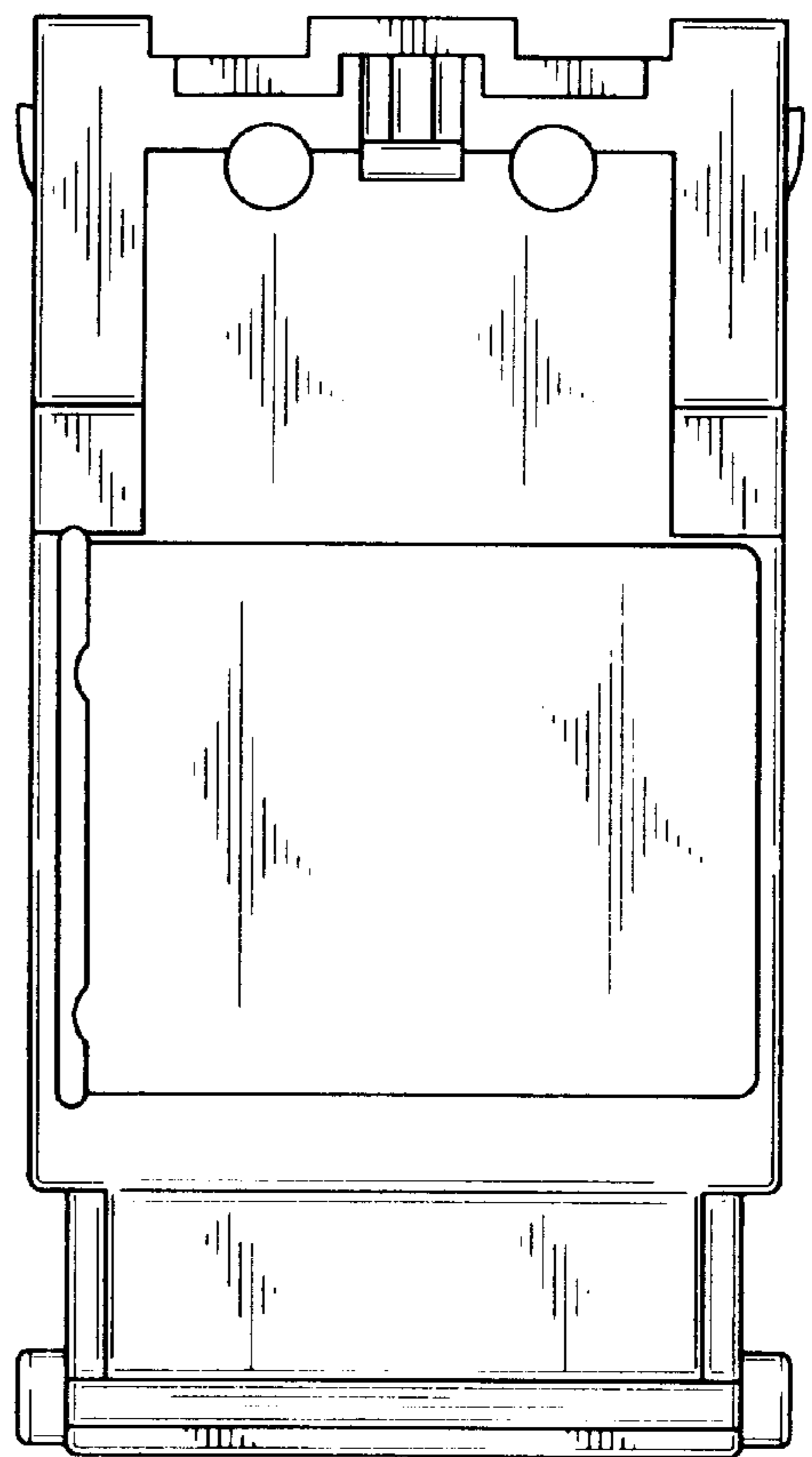


FIG. 3

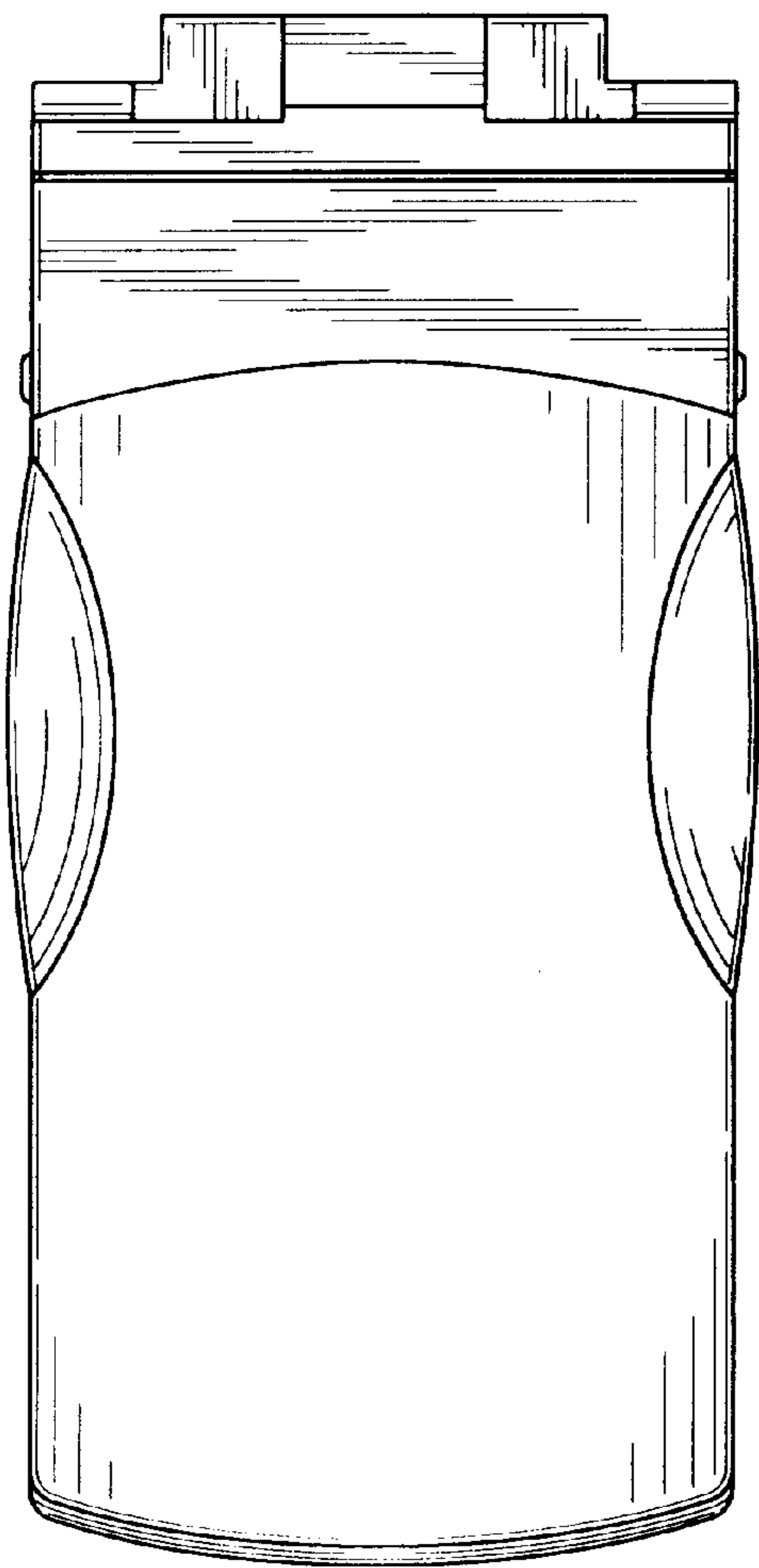


FIG. 4

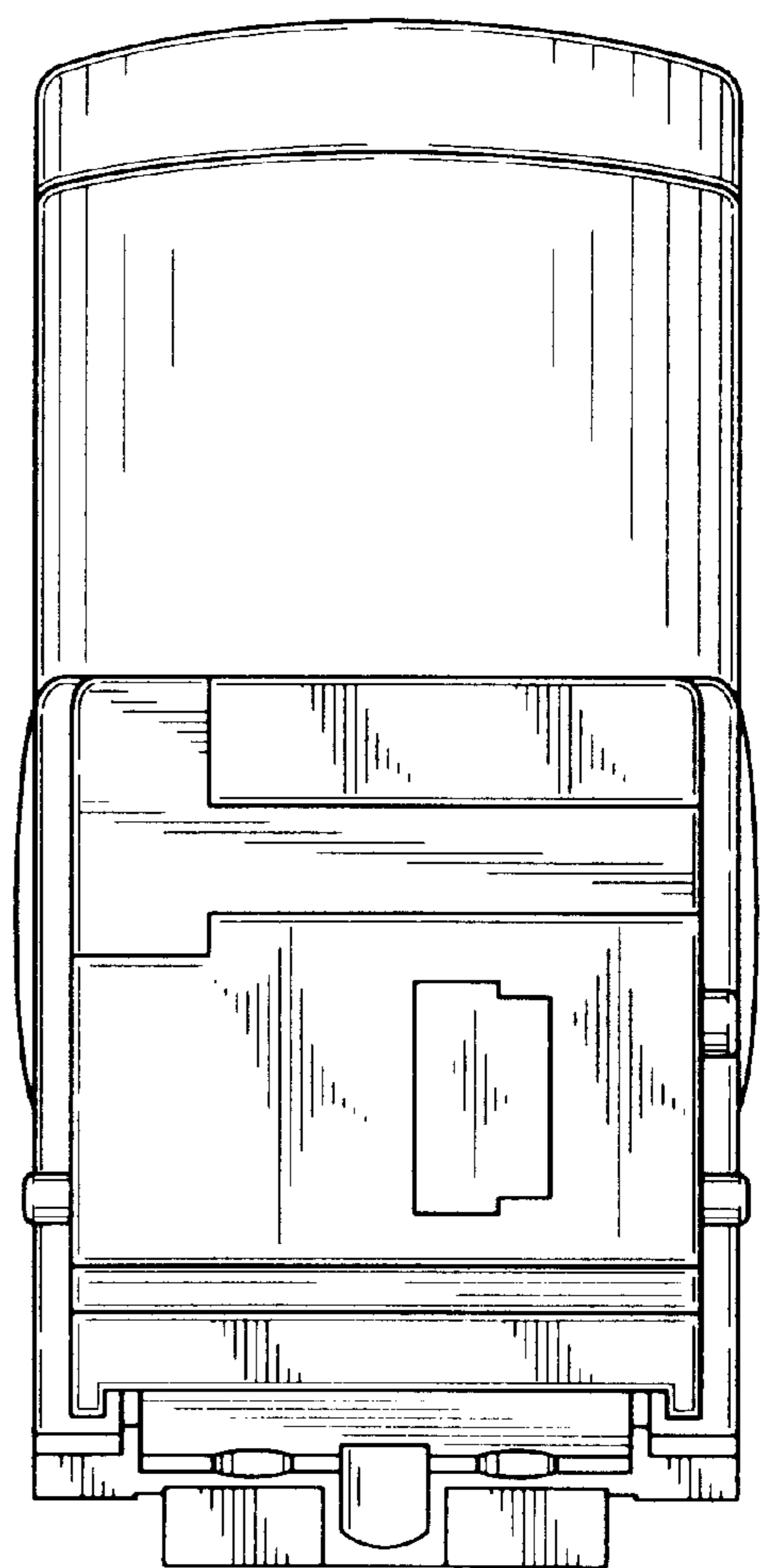


FIG. 5

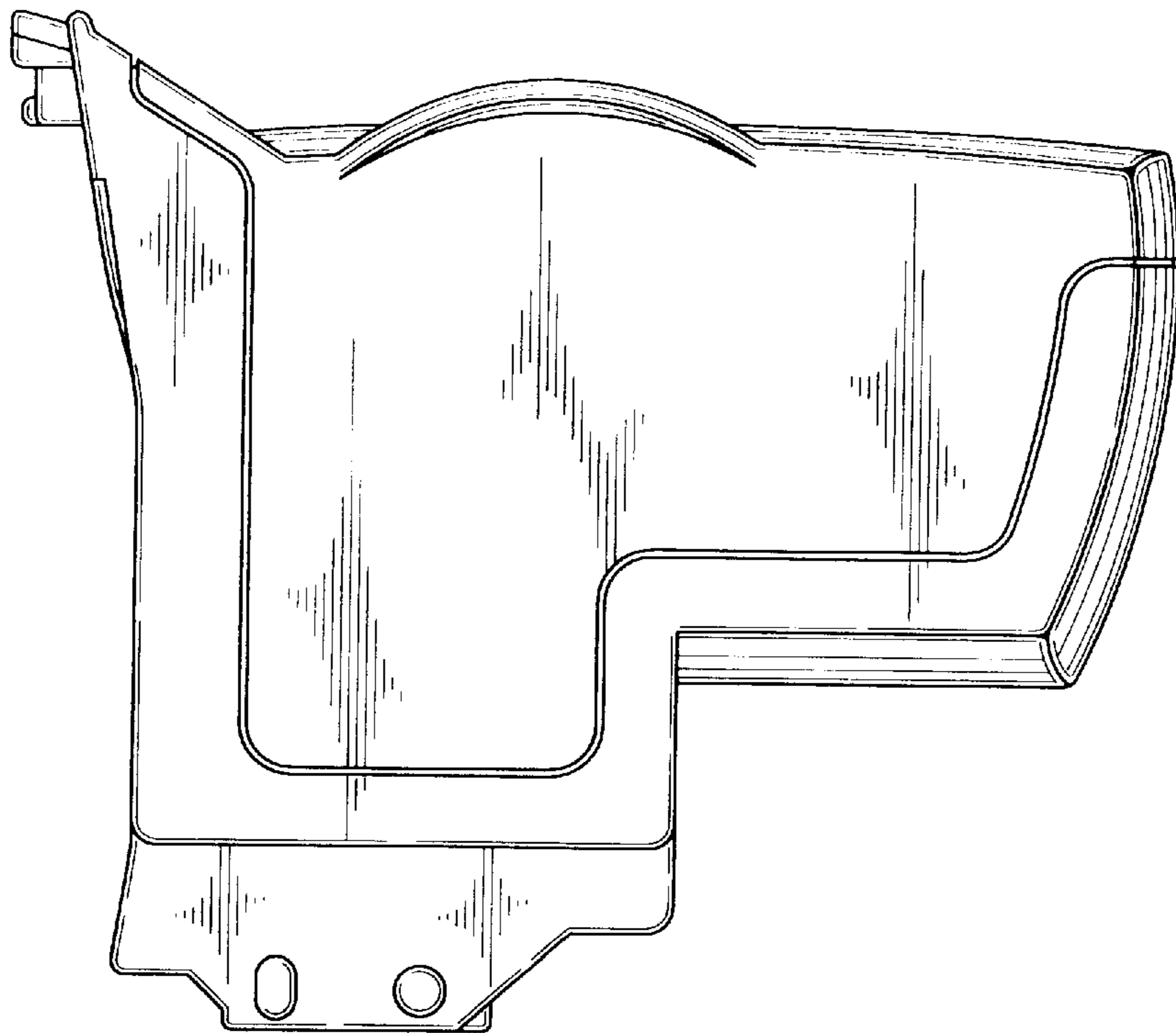


FIG. 6

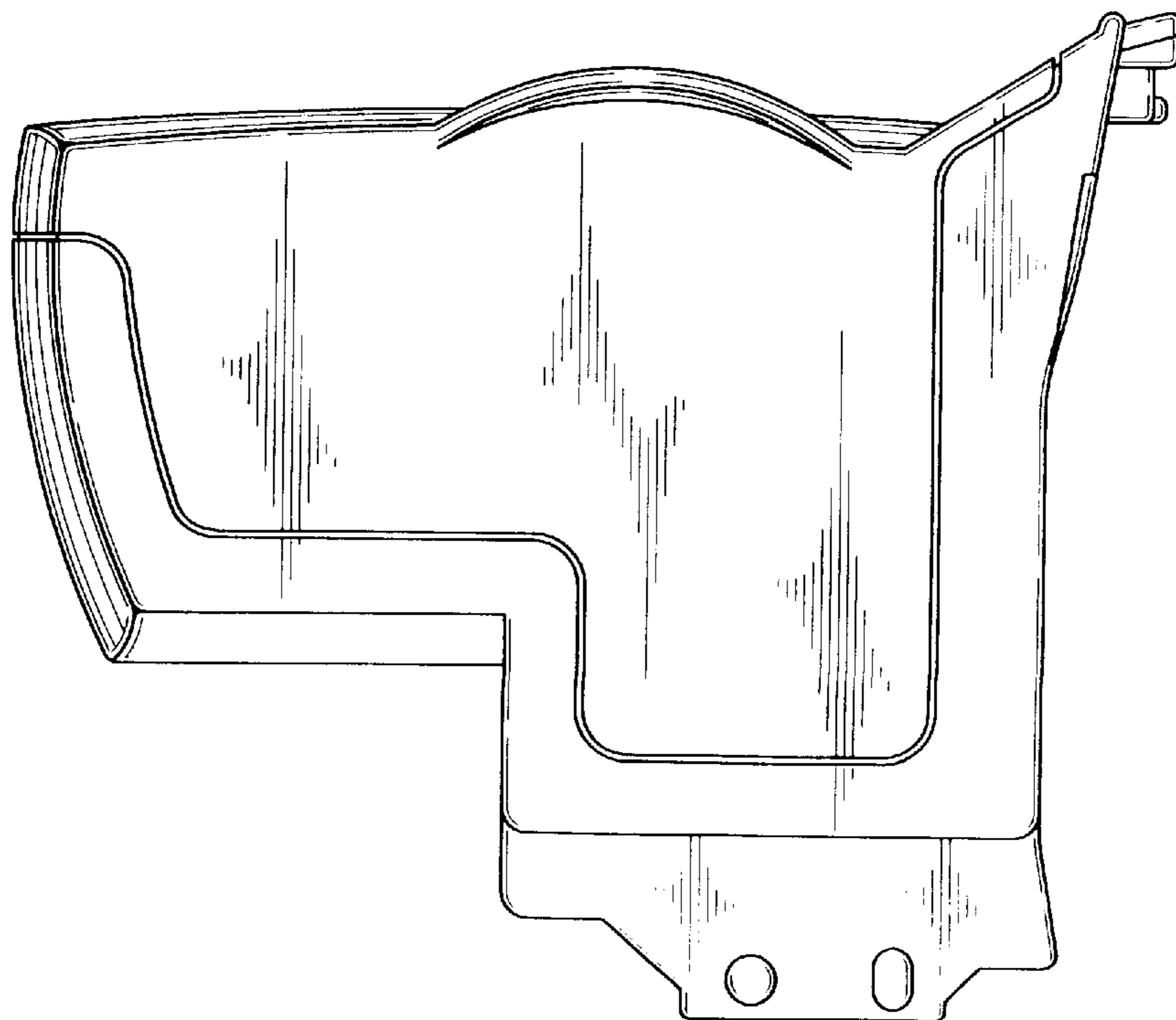


FIG. 7

