



US00D439608S

(12) **United States Design Patent**  
**Gassett et al.**

(10) **Patent No.:** **US D439,608 S**

(45) **Date of Patent:** **\*\* Mar. 27, 2001**

(54) **PRINTER**

(75) Inventors: **John Wayne Gassett; Peter Joseph Mendel**, both of Lexington, KY (US)

(73) Assignee: **Lexmark International, Inc.**, Lexington, KY (US)

(\*\*) Term: **14 Years**

(21) Appl. No.: **29/120,127**

(22) Filed: **Mar. 14, 2000**

(51) **LOC (7) Cl.** ..... **14-02**

(52) **U.S. Cl.** ..... **D18/55**

(58) **Field of Search** ..... D18/50, 54-55;  
D14/462-470; 400/613, 613.1-613.4, 690.1-690.4,  
691-694

(56) **References Cited**

**U.S. PATENT DOCUMENTS**

D. 366,900	*	2/1996	Pangburn et al.	.....	D18/50
D. 390,258	*	2/1998	Kawahara et al.	.....	D18/55
D. 400,918	*	11/1998	Kobayashi et al.	.....	D18/55
D. 411,228	*	6/1999	Kobayashi et al.	.....	D18/50
D. 413,142	*	8/1999	Pangburn	.....	D18/55
D. 419,591	*	1/2000	Pangburn	.....	D18/55

D. 430,598	*	9/2000	Gerstein et al.	.....	D18/55
D. 430,894	*	9/2000	Inoue	.....	D18/54
D. 433,442	*	11/2000	Clark, III	.....	D18/55
D. 433,443	*	11/2000	Ito et al.	.....	D18/55
5,775,825	*	7/1998	Hong et al.	.....	400/693
5,863,141	*	1/1999	Hong et al.	.....	400/692

\* cited by examiner

*Primary Examiner*—Cathy Anne MacCormac

(74) *Attorney, Agent, or Firm*—Jacqueline M. Daspit

(57) **CLAIM**

The ornamental design for a printer, as shown and described.

**DESCRIPTION**

FIG. 1 is a top, front, left side perspective view of a printer showing our new design;

FIG. 2 is a top, front, left side perspective view thereof with paper trays extended;

FIG. 3 is a top plan view thereof;

FIG. 4 is a front elevational view thereof;

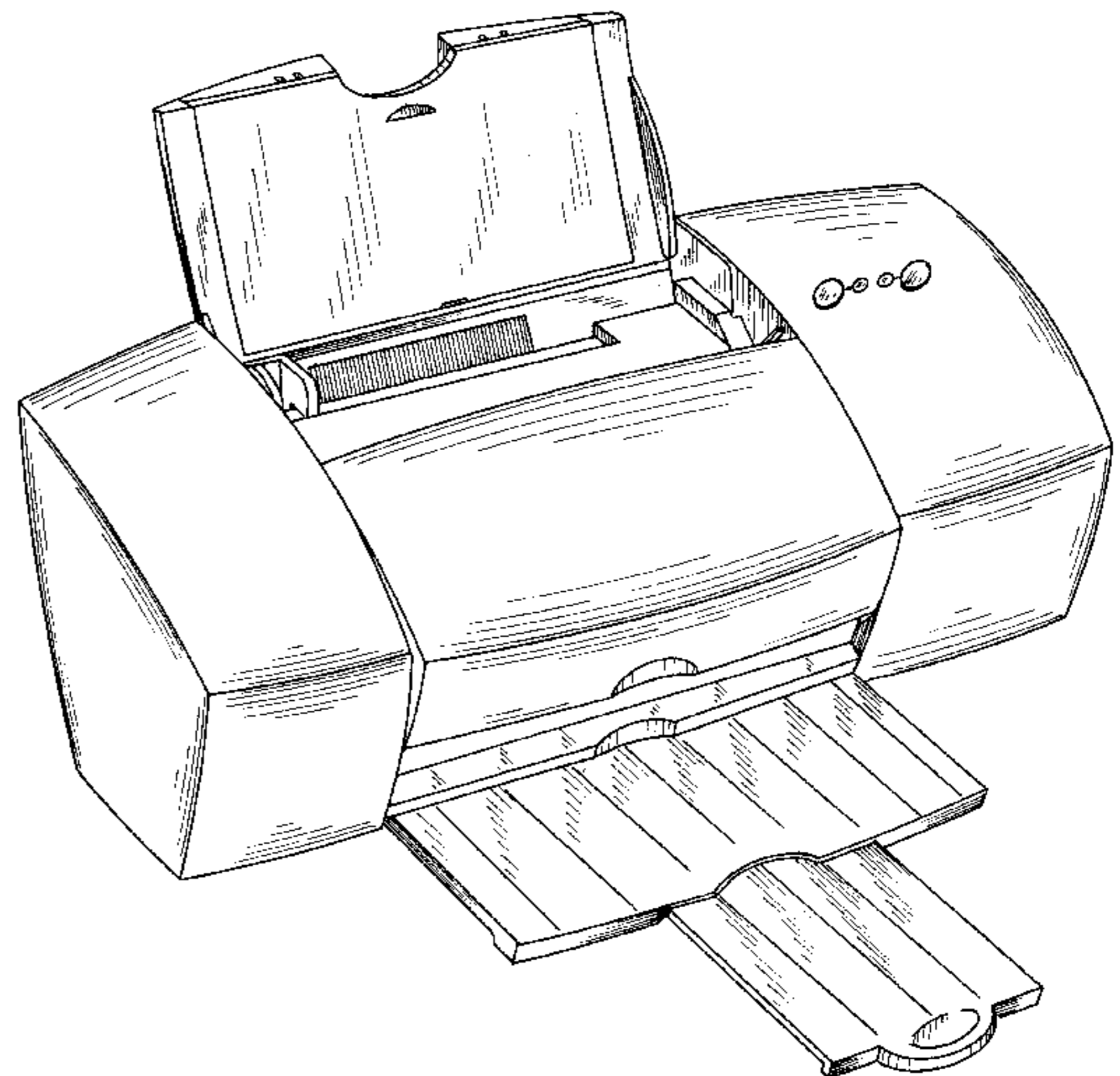
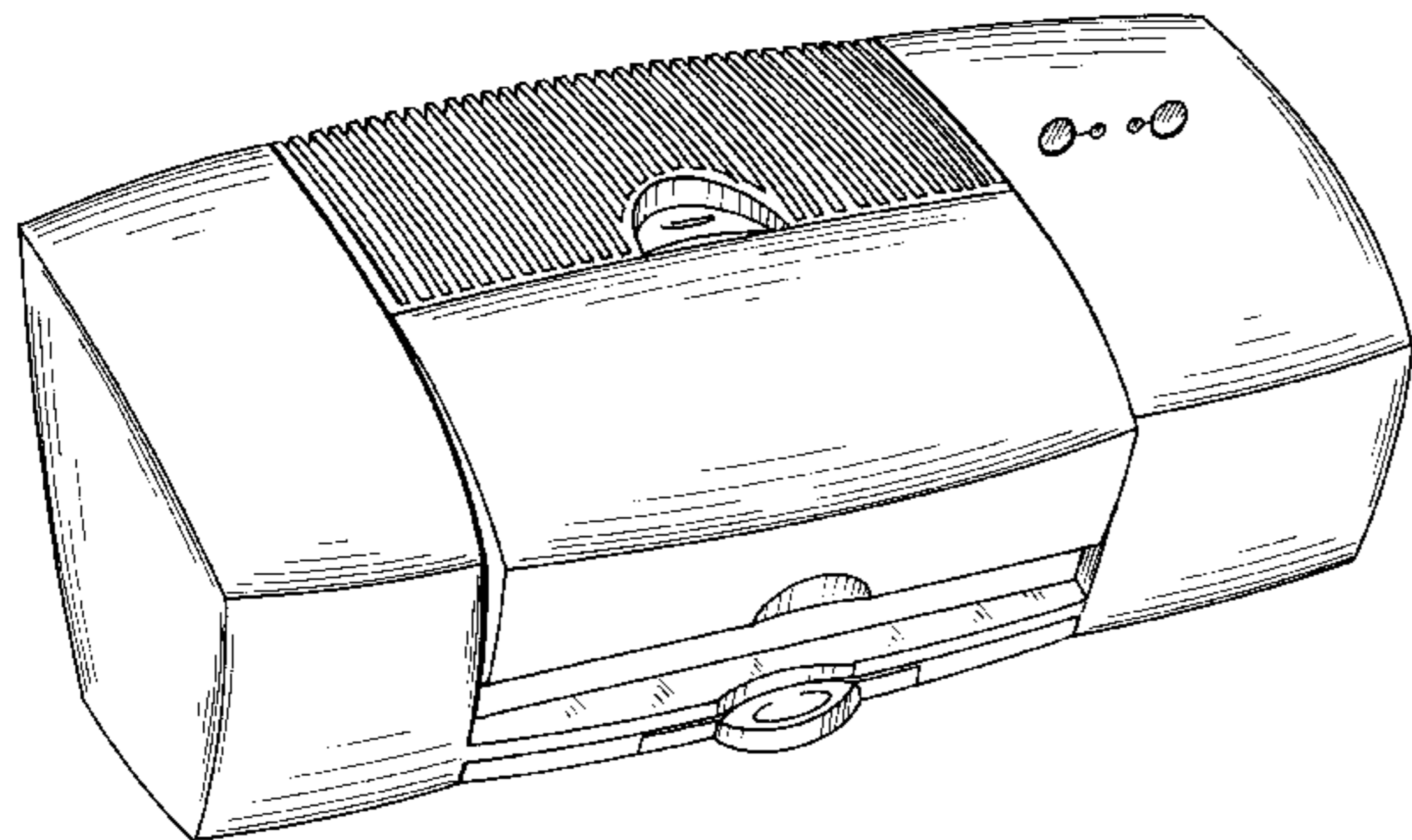
FIG. 5 is a rear elevational view thereof;

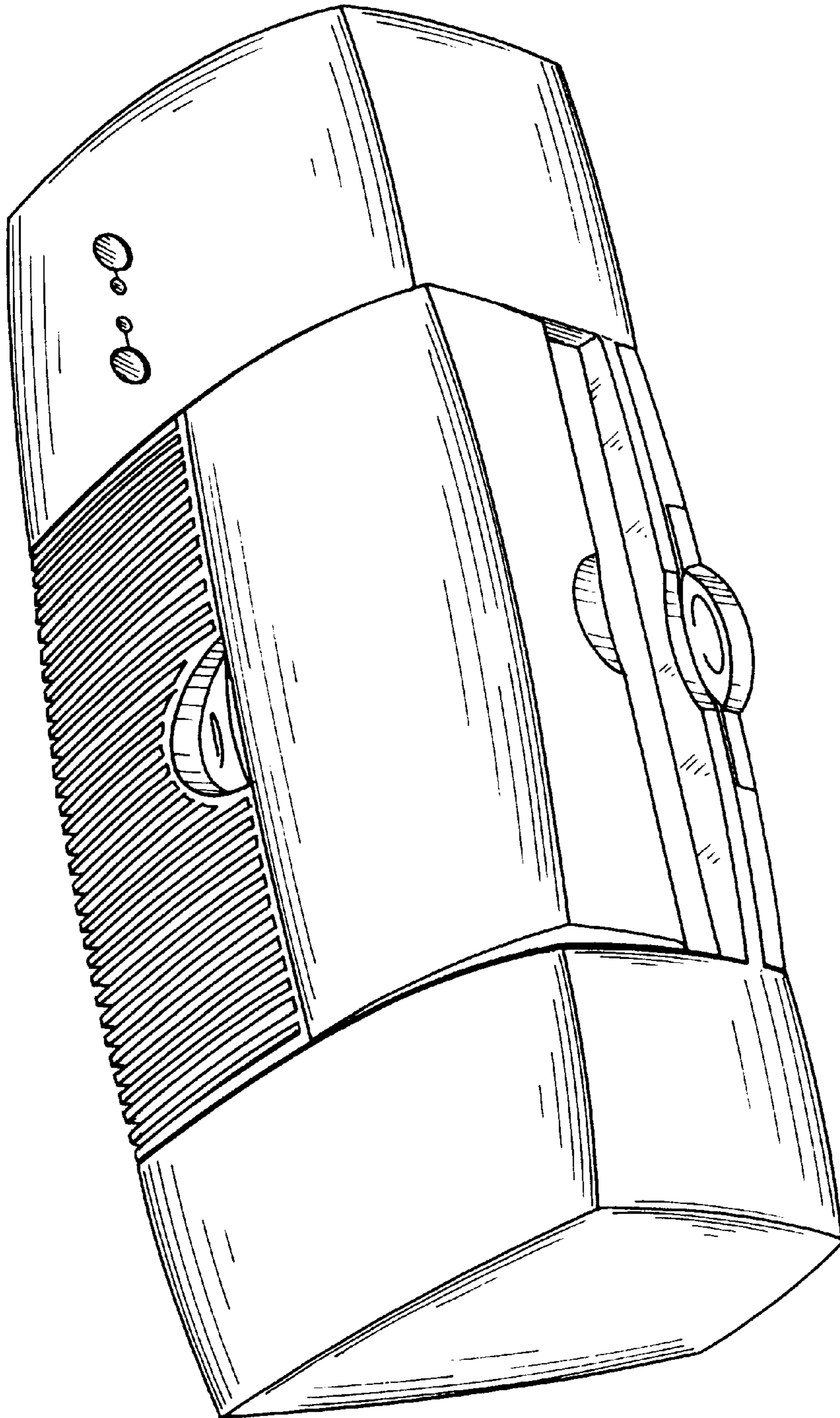
FIG. 6 is a left side elevational view thereof; and,

FIG. 7 is a right side elevational view thereof.

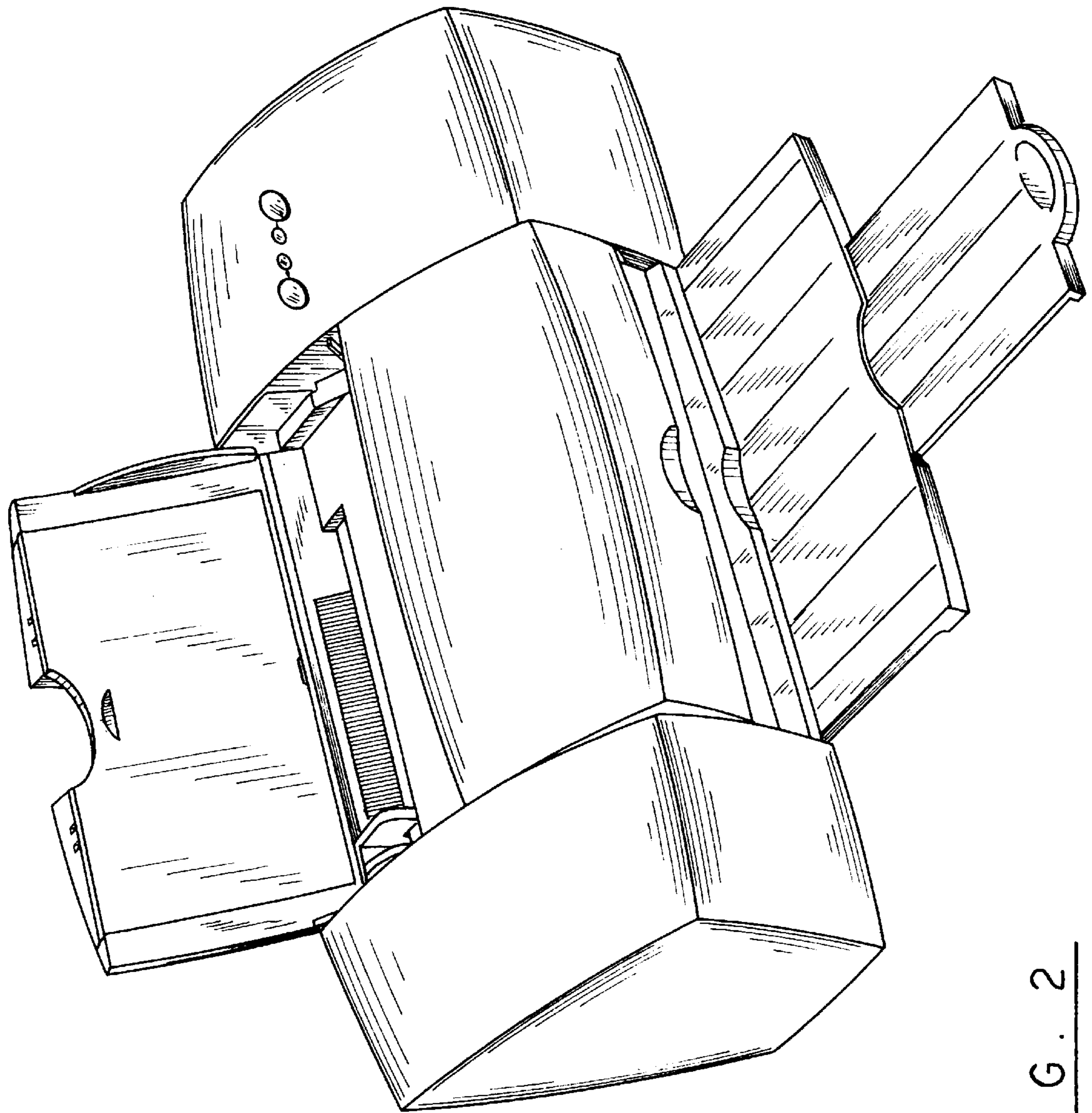
The bottom of this printer normally rests on a surface and is not seen nor intended to be seen as a part of our new design.

**1 Claim, 6 Drawing Sheets**

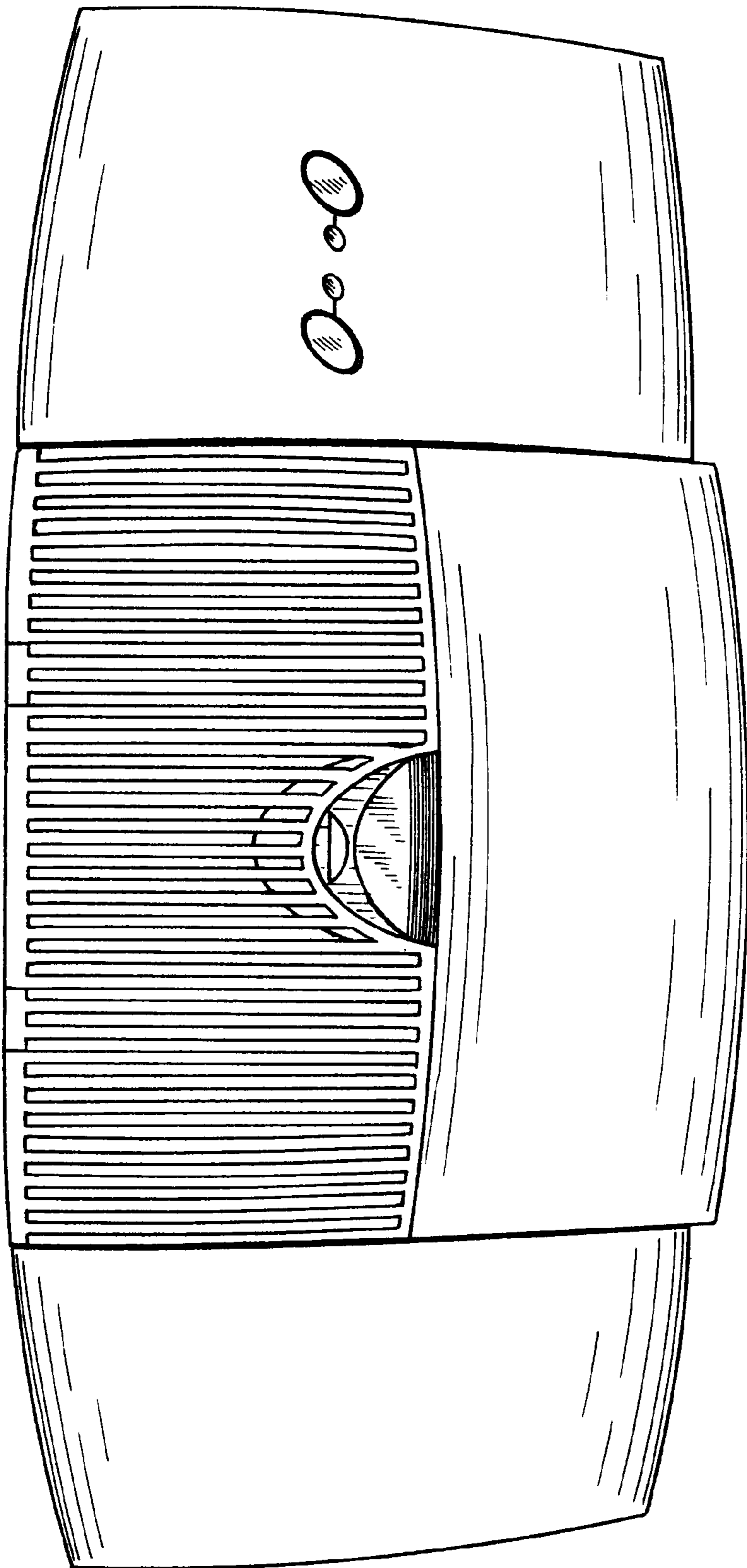




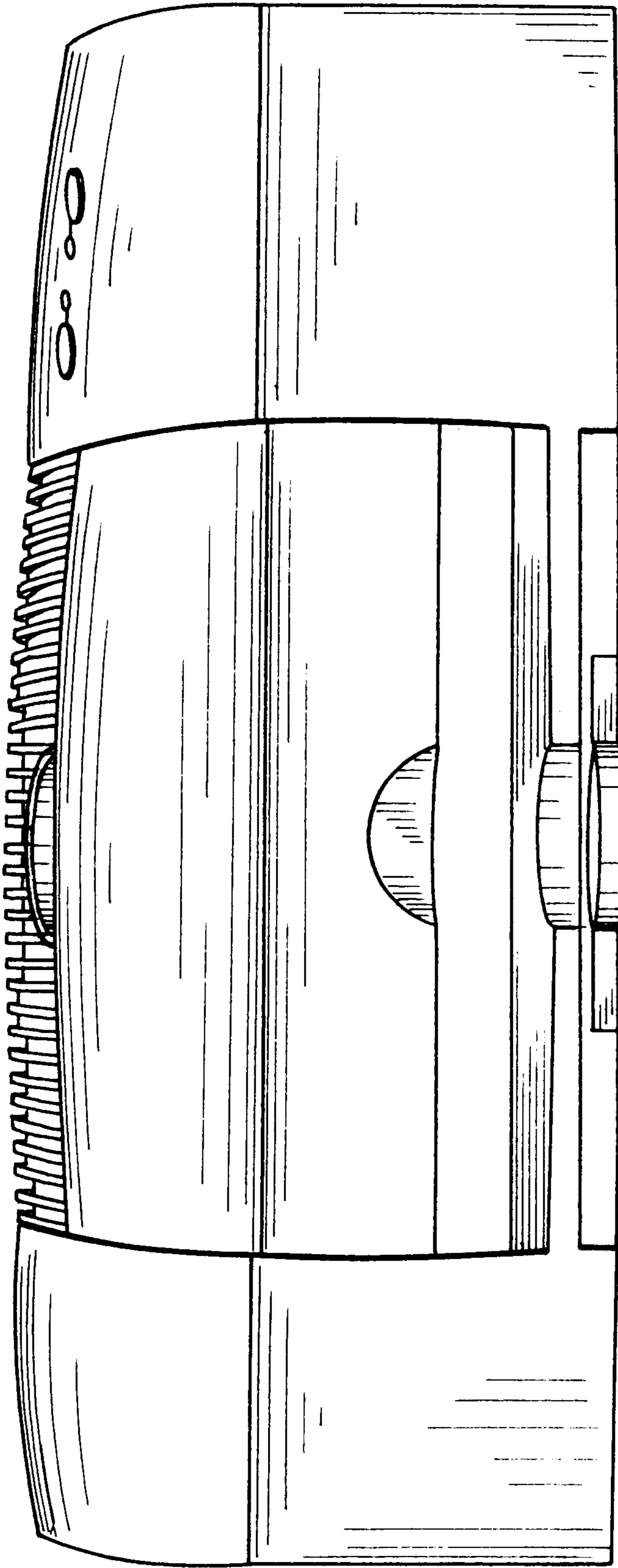
F I G . 1



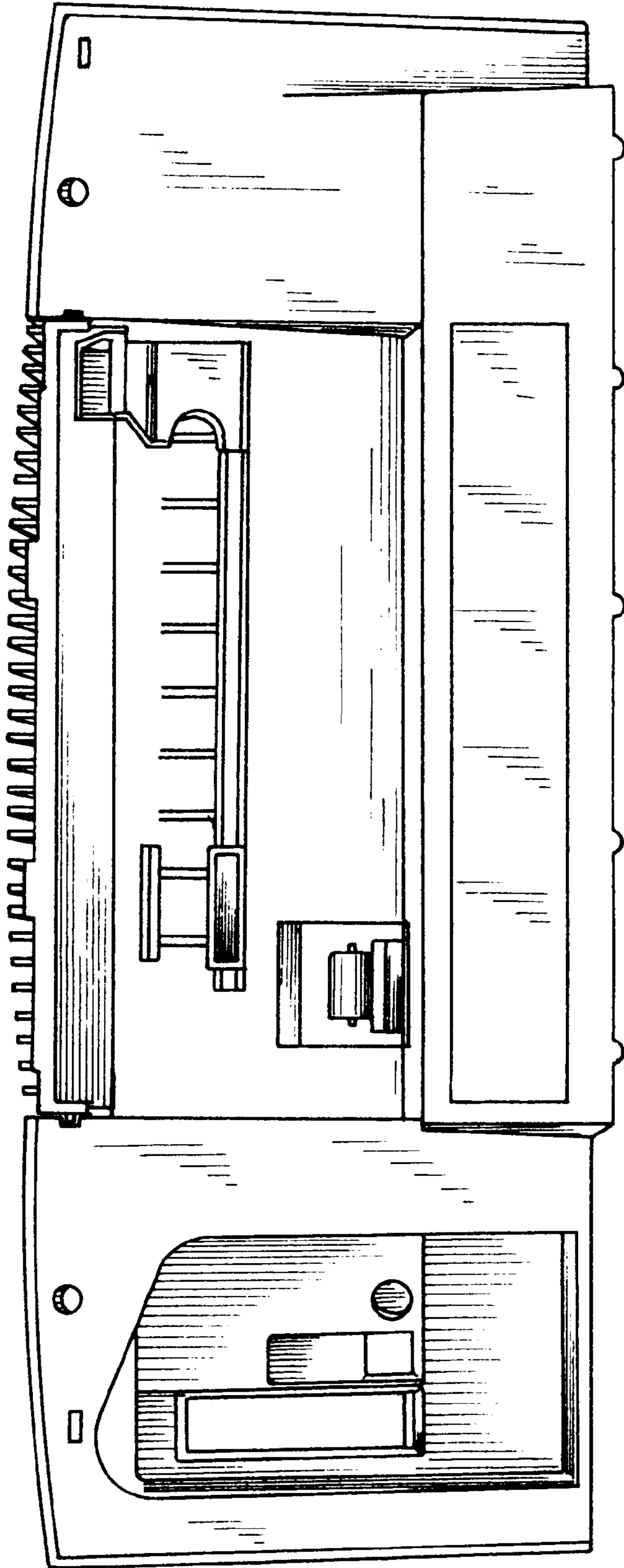
F I G . 2



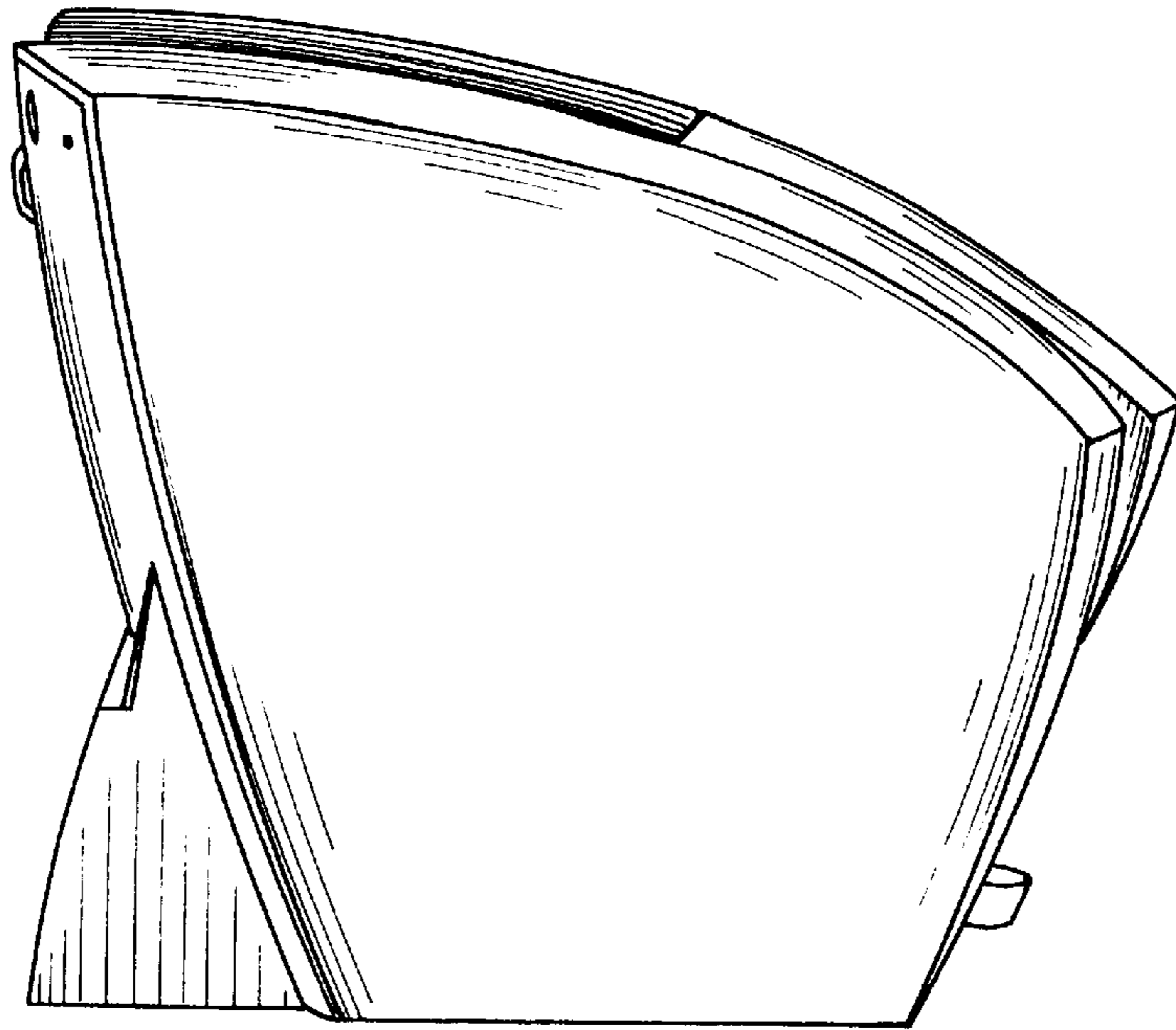
F I G . 3



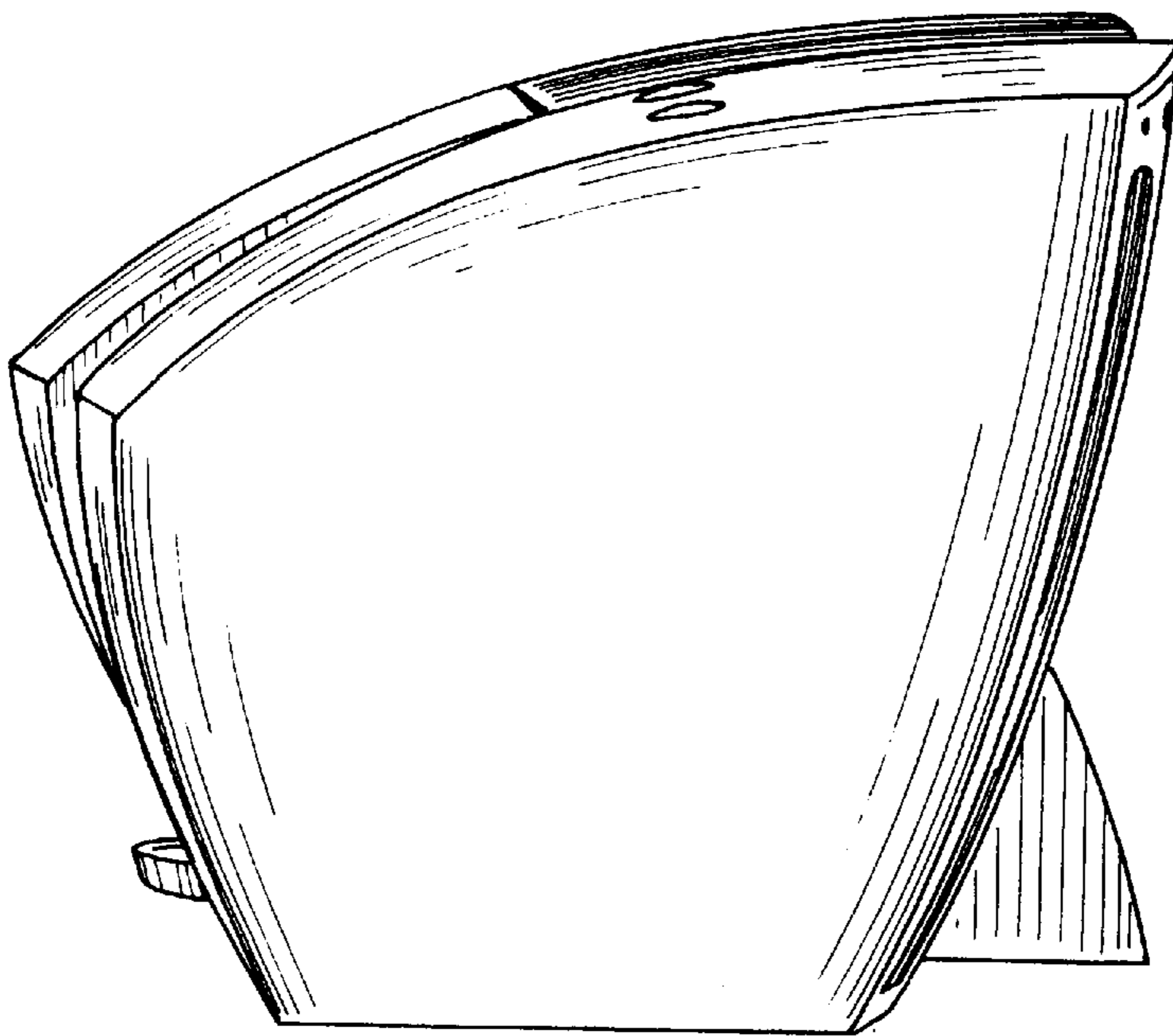
F I G . 4



F I G . 5



F I G . 6



F I G . 7