



US00D439607S

(12) **United States Design Patent**
Inoue et al.

(10) **Patent No.:** **US D439,607 S**

(45) **Date of Patent:** **** Mar. 27, 2001**

(54) **COMPUTER PRINTER**

(75) Inventors: **Manabu Inoue**, London (GB); **Toshimi Chiba**, Yokohama (JP)

(73) Assignee: **Canon Kabushiki Kaisha**, Tokyo (JP)

(**) Term: **14 Years**

(21) Appl. No.: **29/119,518**

(22) Filed: **Mar. 2, 2000**

(30) **Foreign Application Priority Data**

Sep. 7, 1999 (JP) 11-24054

(51) **LOC (7) Cl.** **14-02**

(52) **U.S. Cl.** **D18/54**

(58) **Field of Search** D18/50, 54-55,
D18/36-39; D14/462-470; 400/613, 613.1-613.4,
690.1-690.4, 691-694

(56) **References Cited**

U.S. PATENT DOCUMENTS

- D. 343,637 1/1994 Umino et al. D18/55
- D. 352,056 11/1994 Kawashima et al. D18/50
- D. 369,617 * 5/1996 Sato D18/54
- D. 370,025 * 5/1996 Weng D18/50
- D. 384,969 10/1997 Inoue et al. D18/54
- D. 390,258 * 2/1998 Kawahara et al. D18/55

- D. 390,593 2/1998 Inoue D18/54
- D. 393,870 * 4/1998 Kobayashi et al. D18/55
- D. 395,332 * 6/1998 Leong et al. D18/55
- D. 400,918 * 11/1998 Kobayashi et al. D18/55
- D. 414,508 * 9/1999 Pangburn D18/55
- D. 419,591 * 1/2000 Pangburn D18/55
- D. 430,598 * 9/2000 Gerstein et al. D18/55
- D. 430,894 * 9/2000 Inoue D18/54

* cited by examiner

Primary Examiner—Cathy Anne MacCormac

(74) *Attorney, Agent, or Firm*—Fitzpatrick, Cella, Harper & Scinto

(57) **CLAIM**

The ornamental design for a computer printer, as shown and described.

DESCRIPTION

FIG. 1 is a front view of a computer printer showing our new design;

FIG. 2 is a rear view thereof;

FIG. 3 is a top plan view thereof;

FIG. 4 is a bottom plan view thereof;

FIG. 5 is a left side view thereof;

FIG. 6 is a right side view thereof; and,

FIG. 7 is a perspective view thereof.

1 Claim, 5 Drawing Sheets

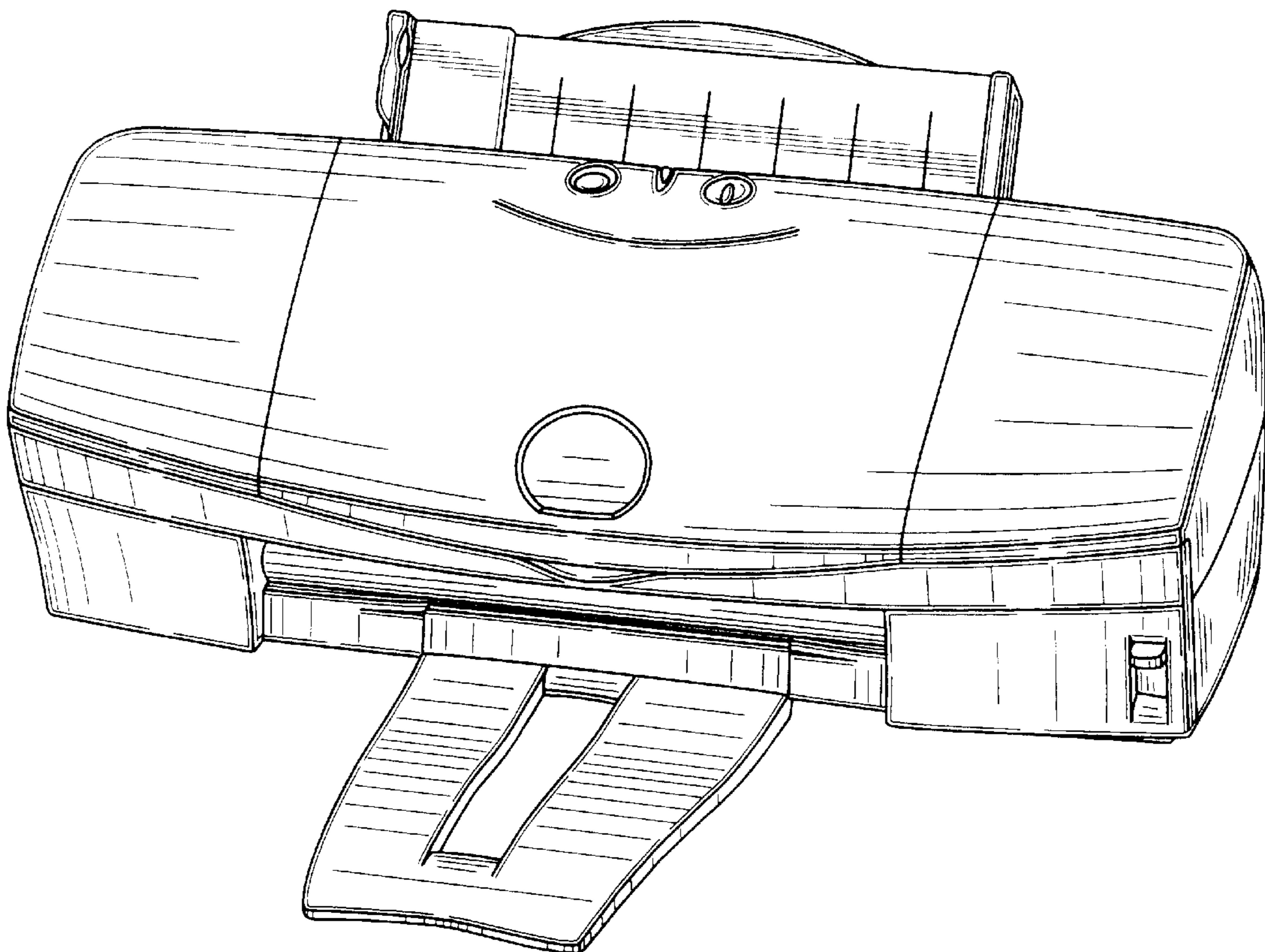


FIG. 1

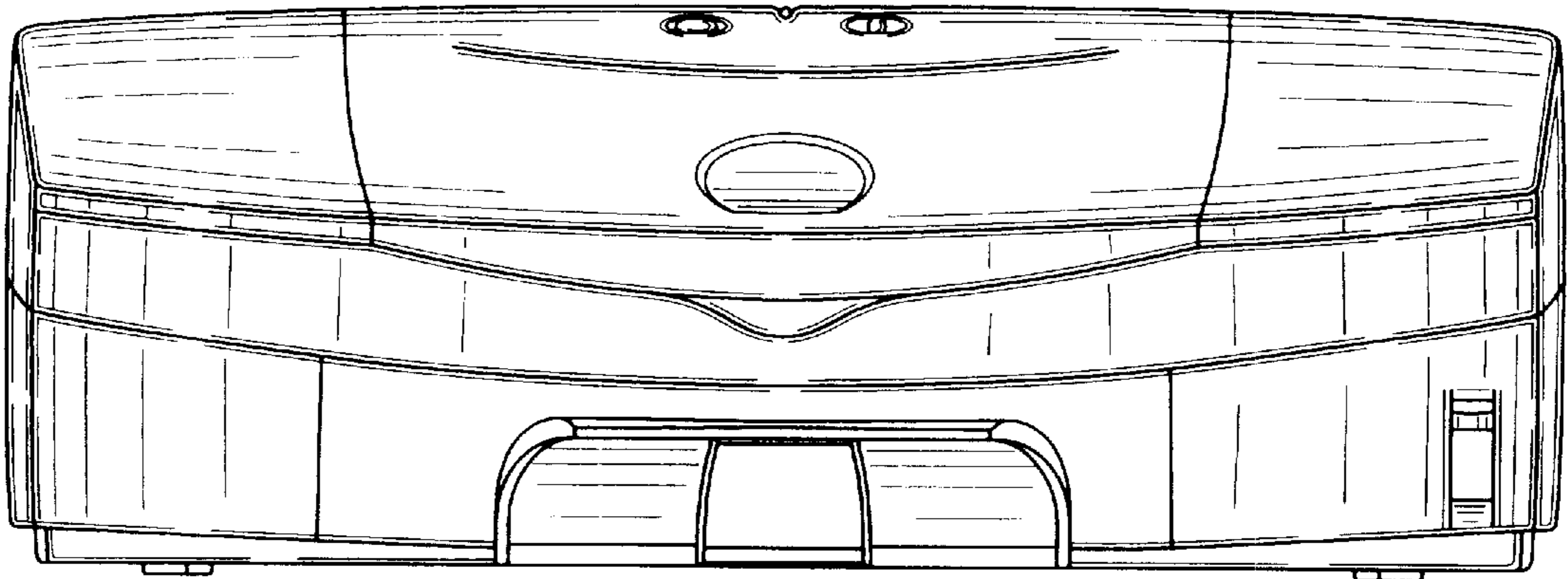


FIG. 2

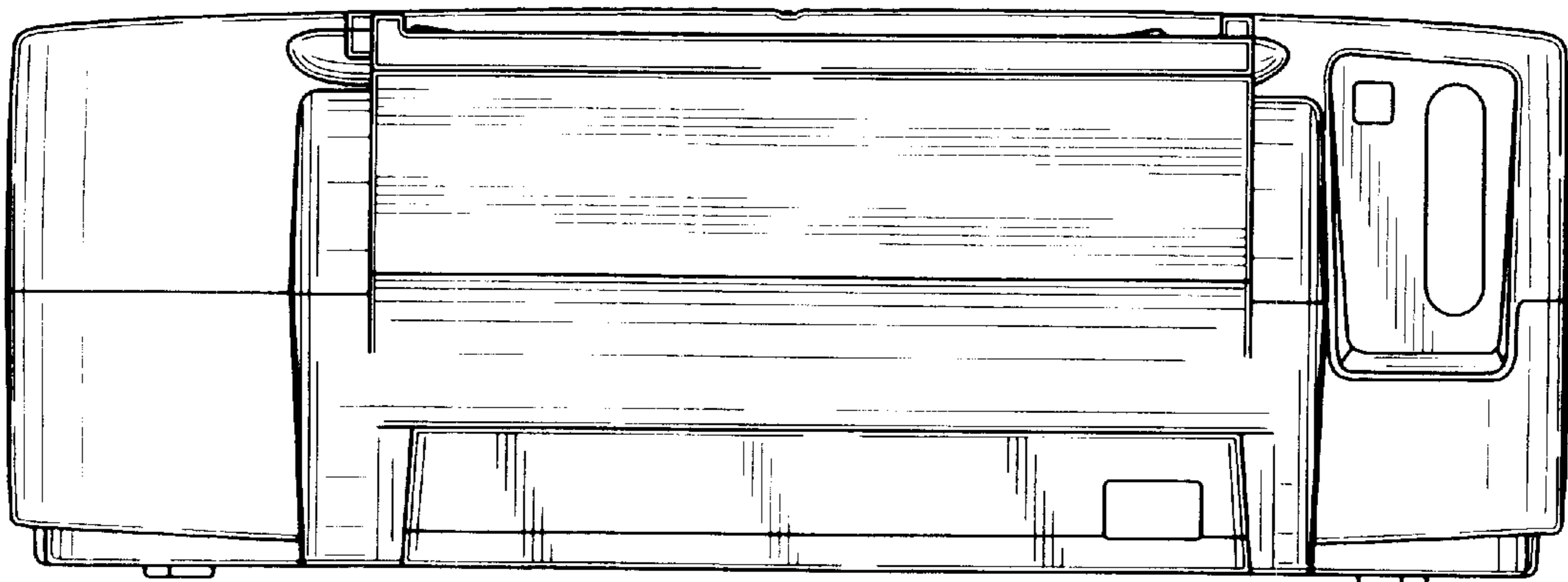


FIG. 3

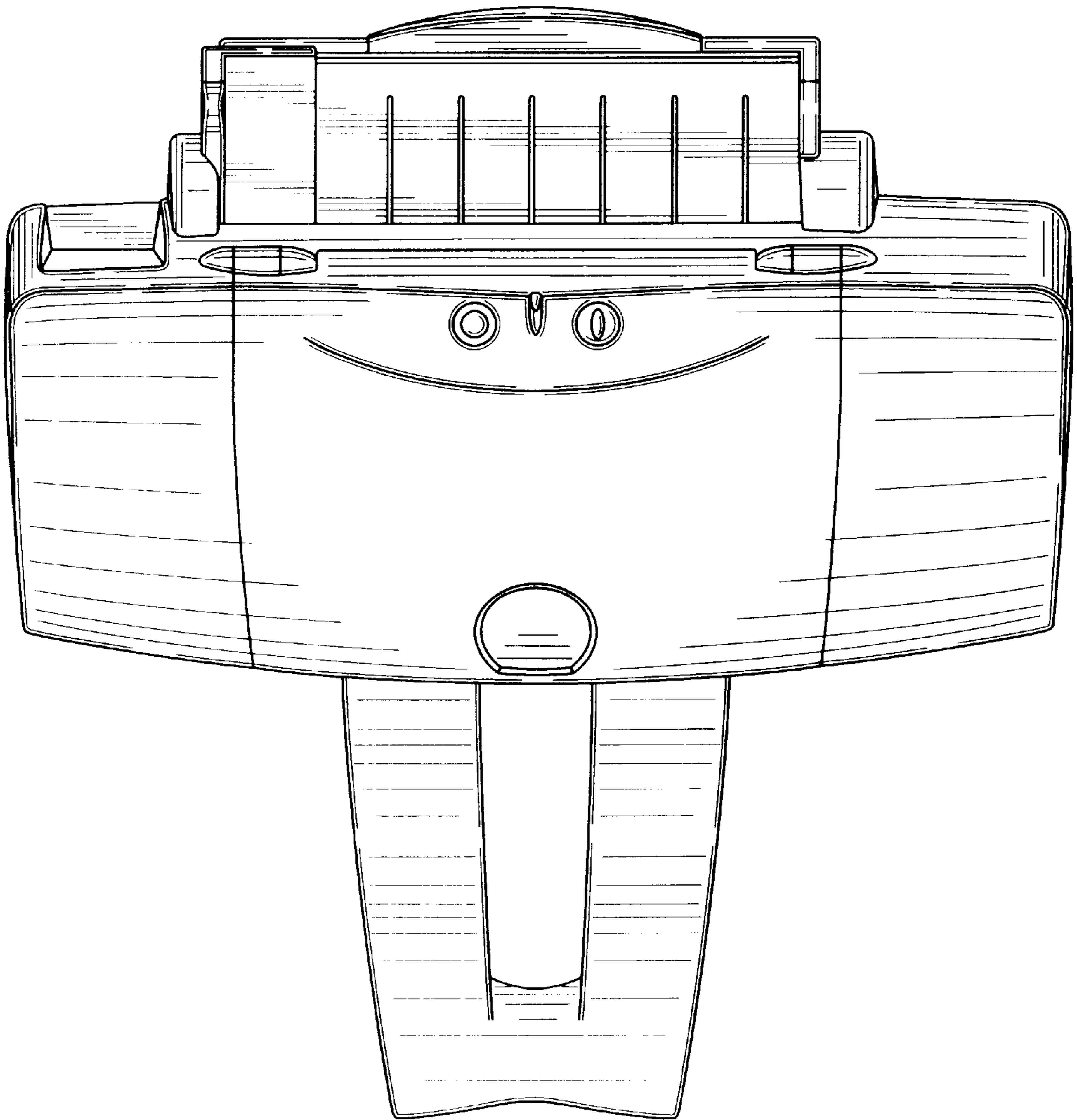
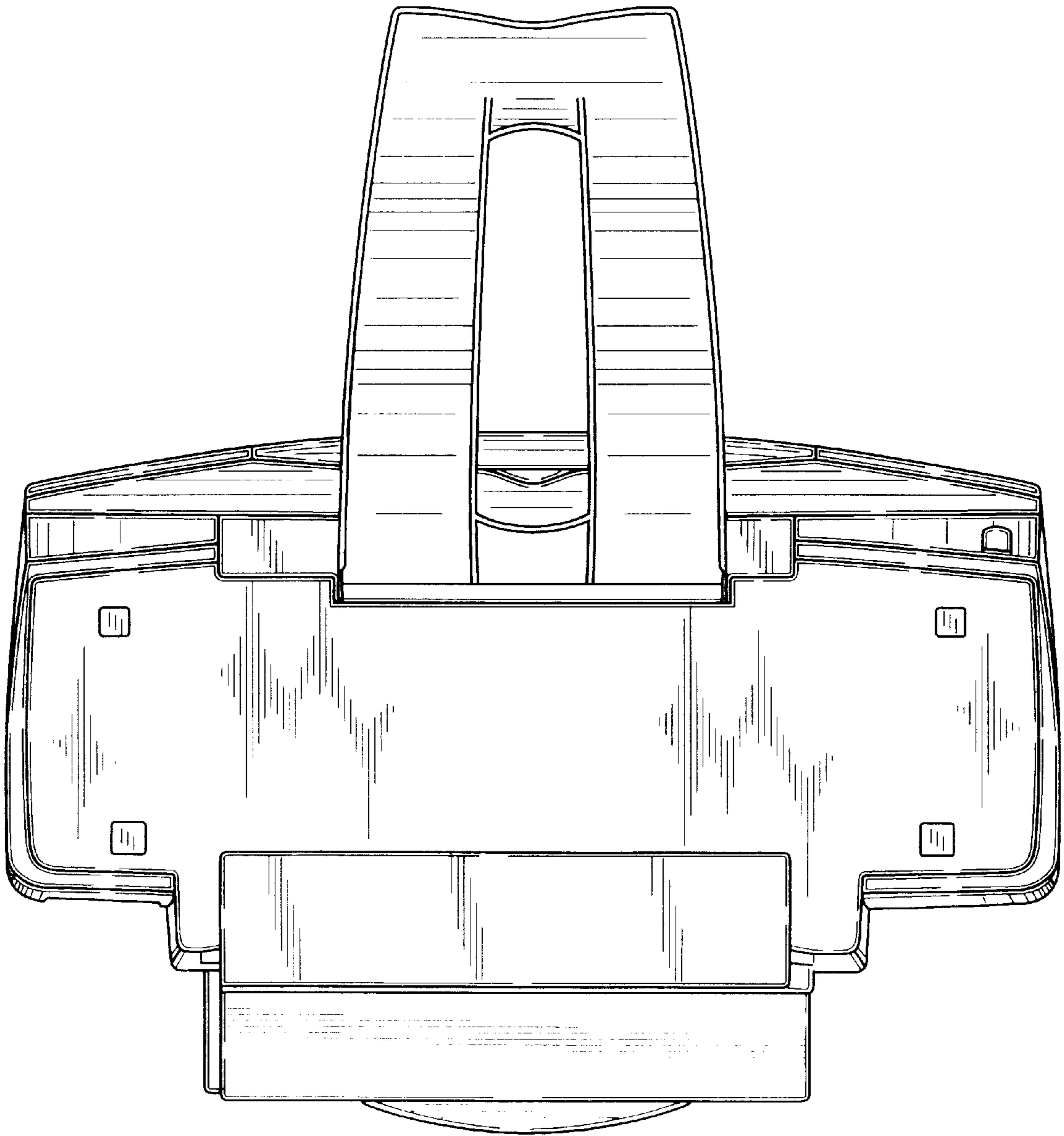


FIG. 4



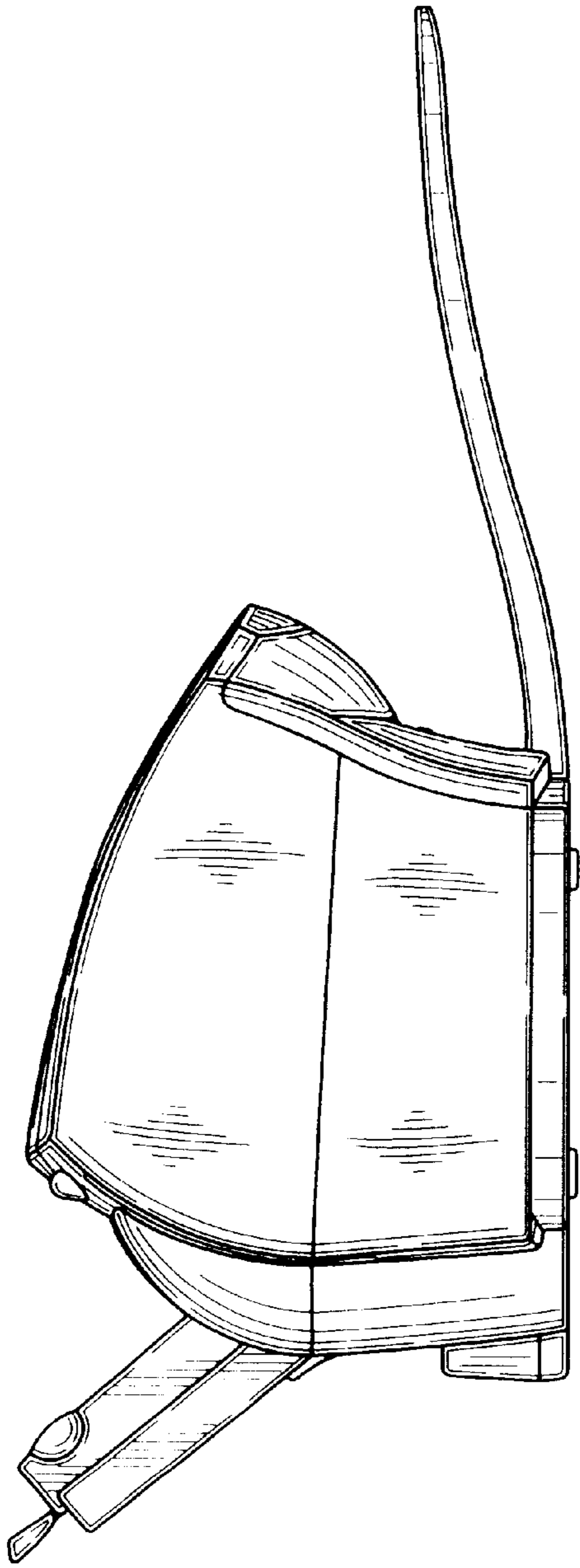


FIG. 5

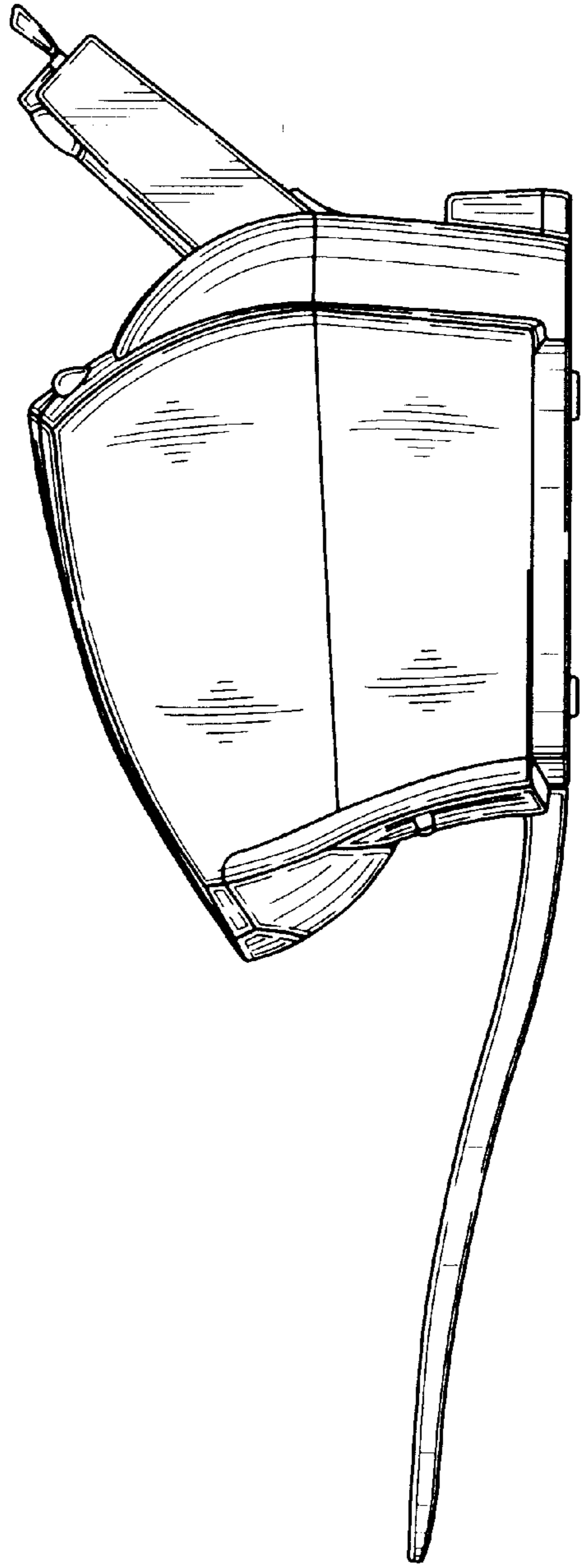


FIG. 6

FIG. 7

