



US00D439606S

(12) **United States Design Patent**
Suzuki et al.

(10) **Patent No.:** **US D439,606 S**

(45) **Date of Patent:** **** Mar. 27, 2001**

(54) **SHIFT TRAY UNIT**

D. 329,454 * 9/1992 Sugihara et al. D18/48
D. 379,635 * 6/1997 Shibata et al. D18/48

(75) Inventors: **Yuji Suzuki**, Kanagawa; **Yuki Nanri**,
Tokyo, both of (JP)

* cited by examiner

(73) Assignee: **Ricoh Company, Ltd.**, Tokyo (JP)

Primary Examiner—Caron D. Veynar

(**) Term: **14 Years**

(74) *Attorney, Agent, or Firm*—Dickstein Shapiro Morin &
Oshinsky LLP

(21) Appl. No.: **29/117,413**

(57) **CLAIM**

(22) Filed: **Jan. 27, 2000**

The ornamental design for the shift tray unit, as shown and
described.

(30) **Foreign Application Priority Data**

DESCRIPTION

Jul. 26, 1999 (JP) 11-19922

FIG. 1 is a front elevation of a shift tray unit showing our
new design;

(51) **LOC (7) Cl.** **18-99**

FIG. 2 is a top plan view thereof;

(52) **U.S. Cl.** **D18/49**

FIG. 3 is a rear elevation thereof;

(58) **Field of Search** D18/36-40, 46-49,
D18/54-56; 399/361, 393, 405, 411; 271/3.14,
8.1, 278

FIG. 4 is a bottom plan view thereof;

FIG. 5 is a right side elevation thereof;

FIG. 6 is a top, front, and left side perspective view thereof;
and,

(56) **References Cited**

FIG. 7 is a top, front and left side perspective view, the
broken line showing of a laser printer is for illustrative
purposes only and forms no part of the claimed design.

U.S. PATENT DOCUMENTS

D. 309,632 * 7/1990 Komada et al. D18/48
D. 310,843 * 9/1990 Kasako et al. D18/48

1 Claim, 4 Drawing Sheets

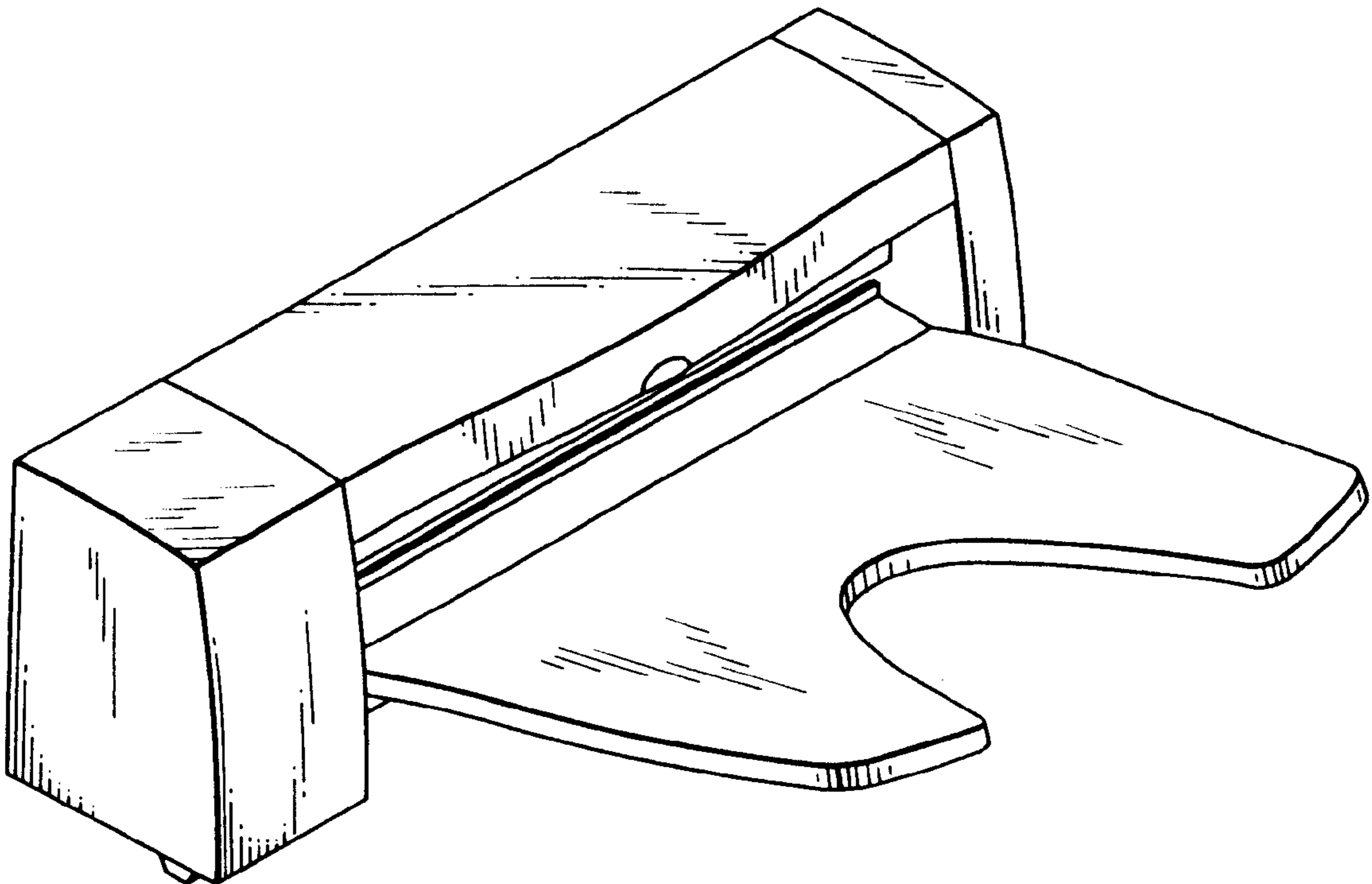


FIG. 1

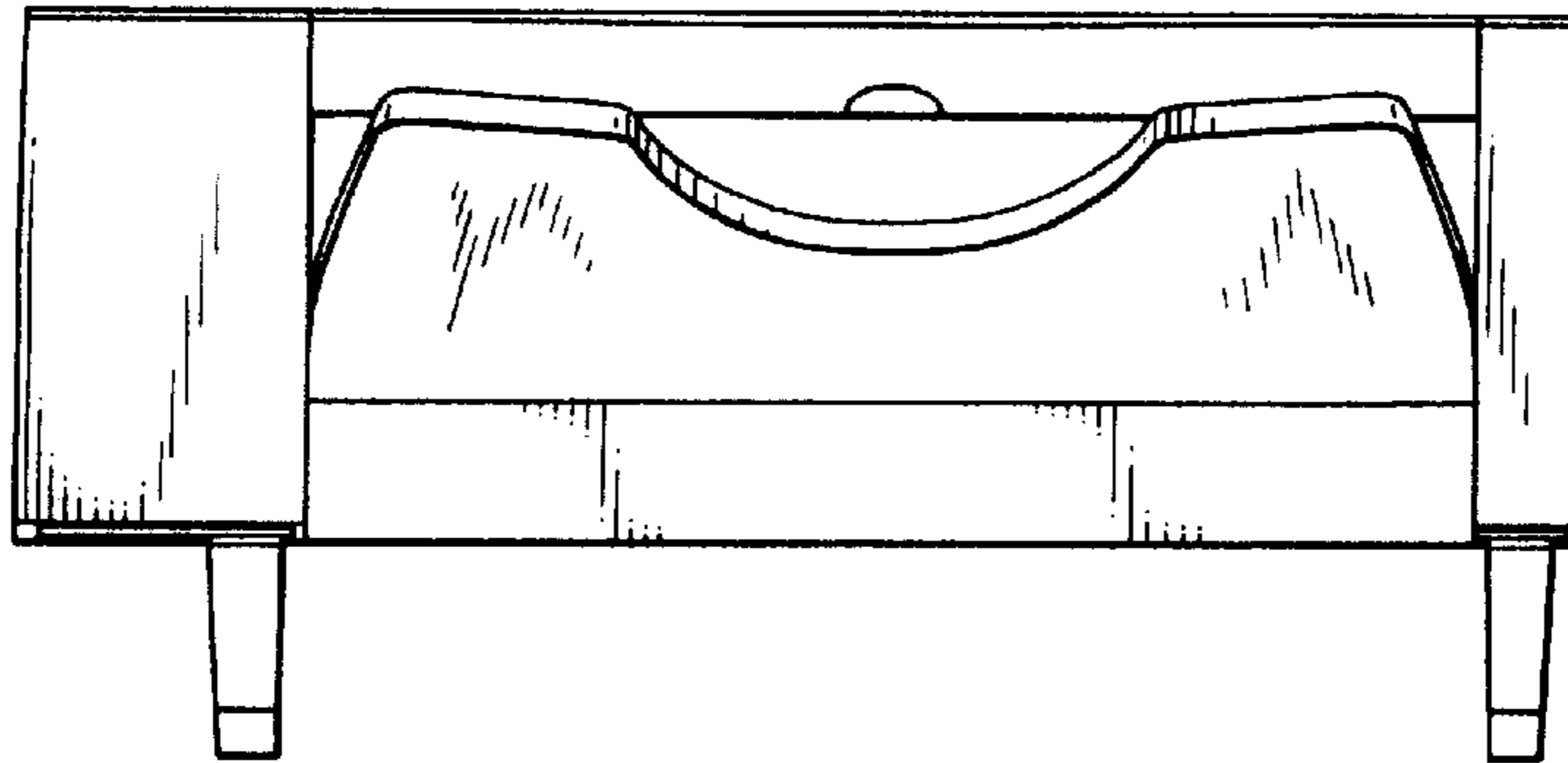


FIG. 2

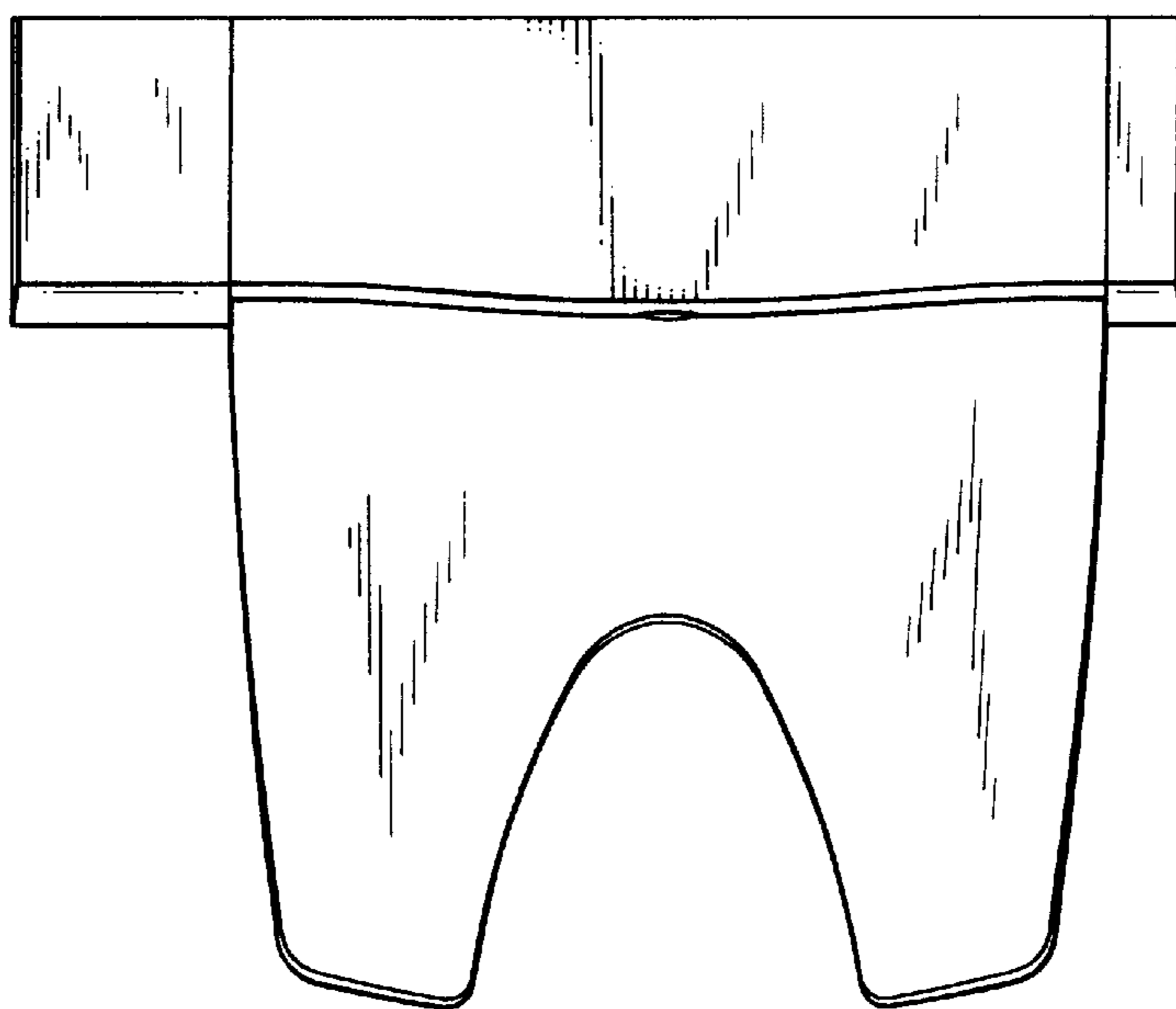


FIG. 3

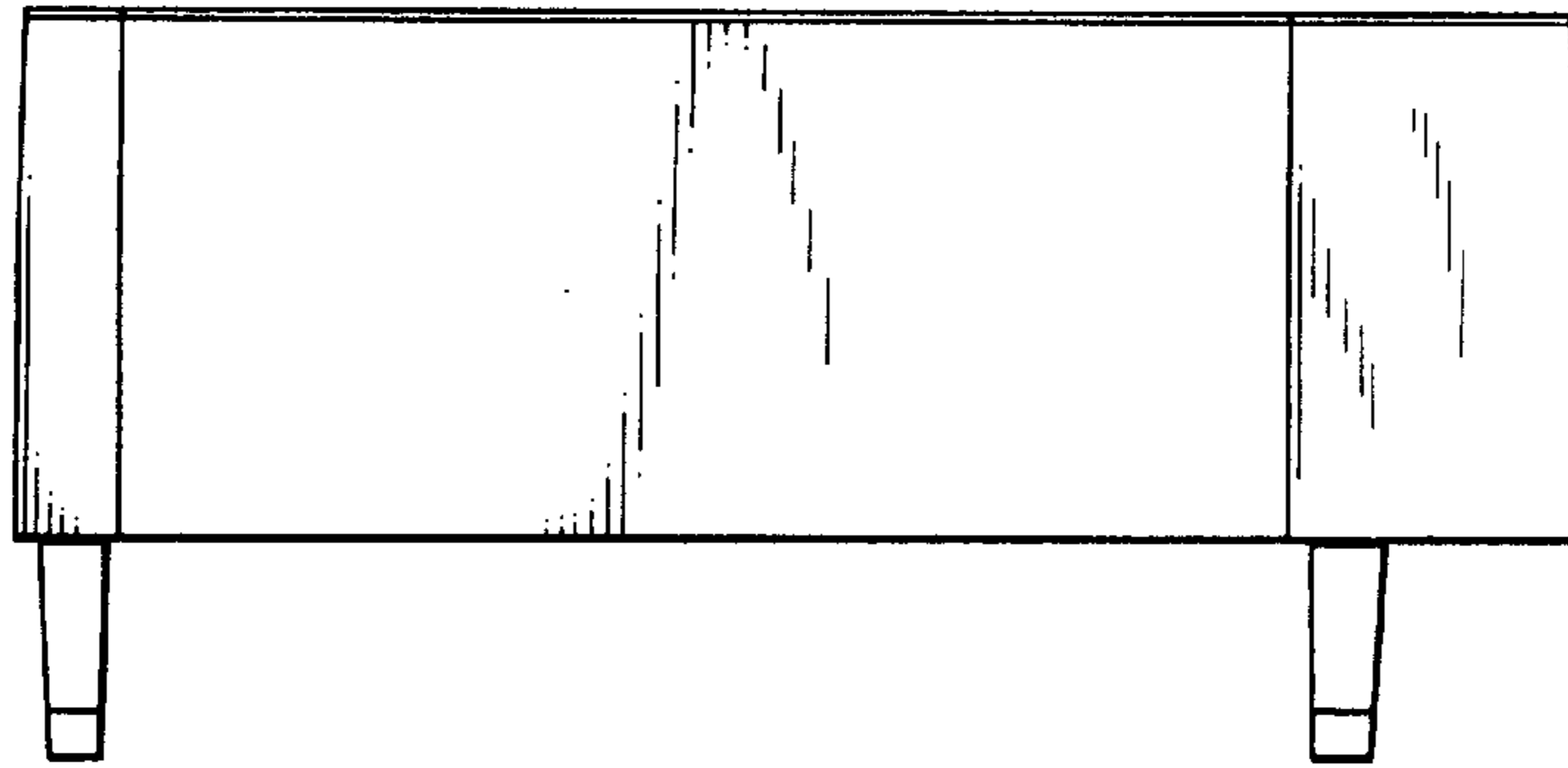


FIG. 4

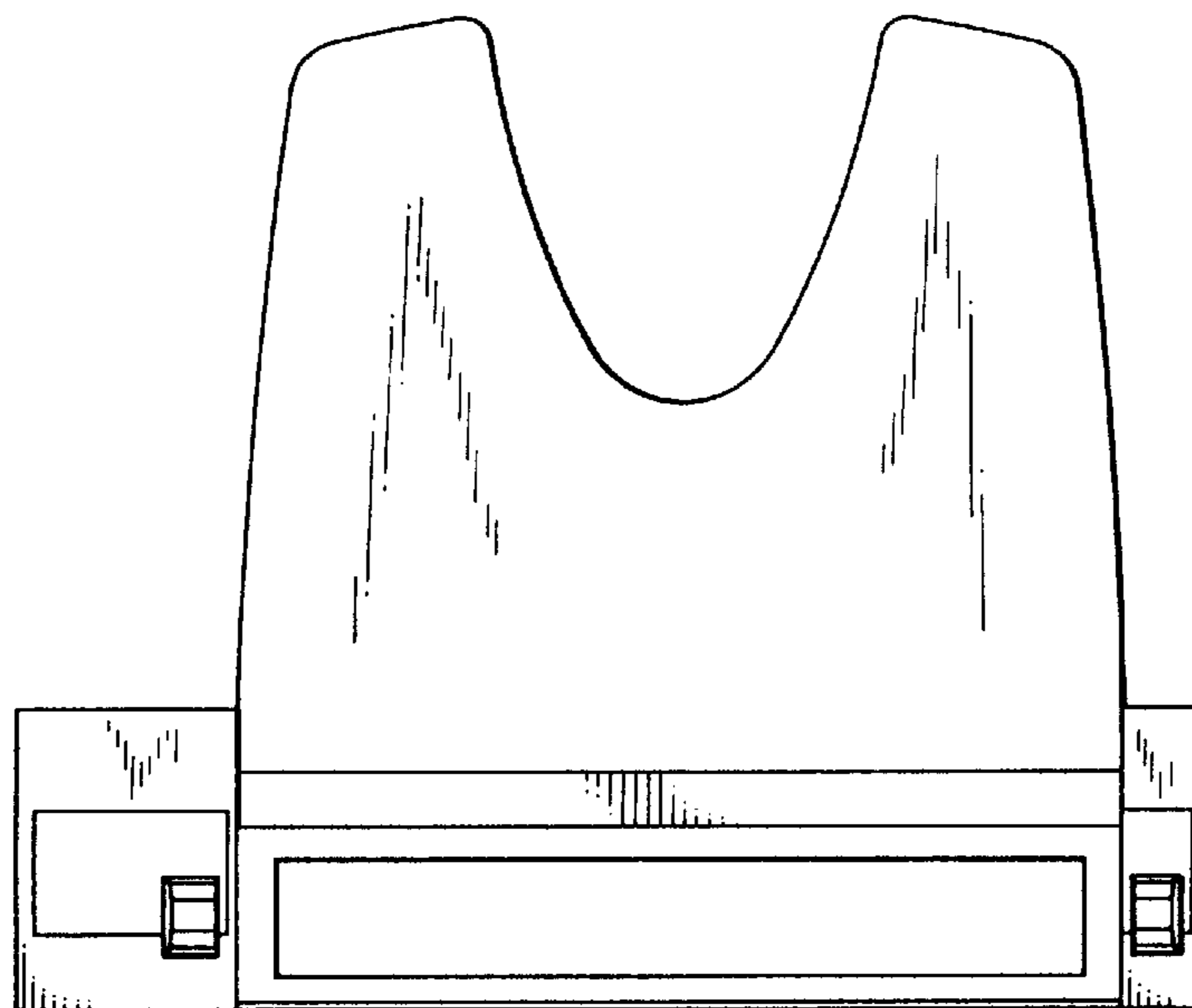


FIG. 5

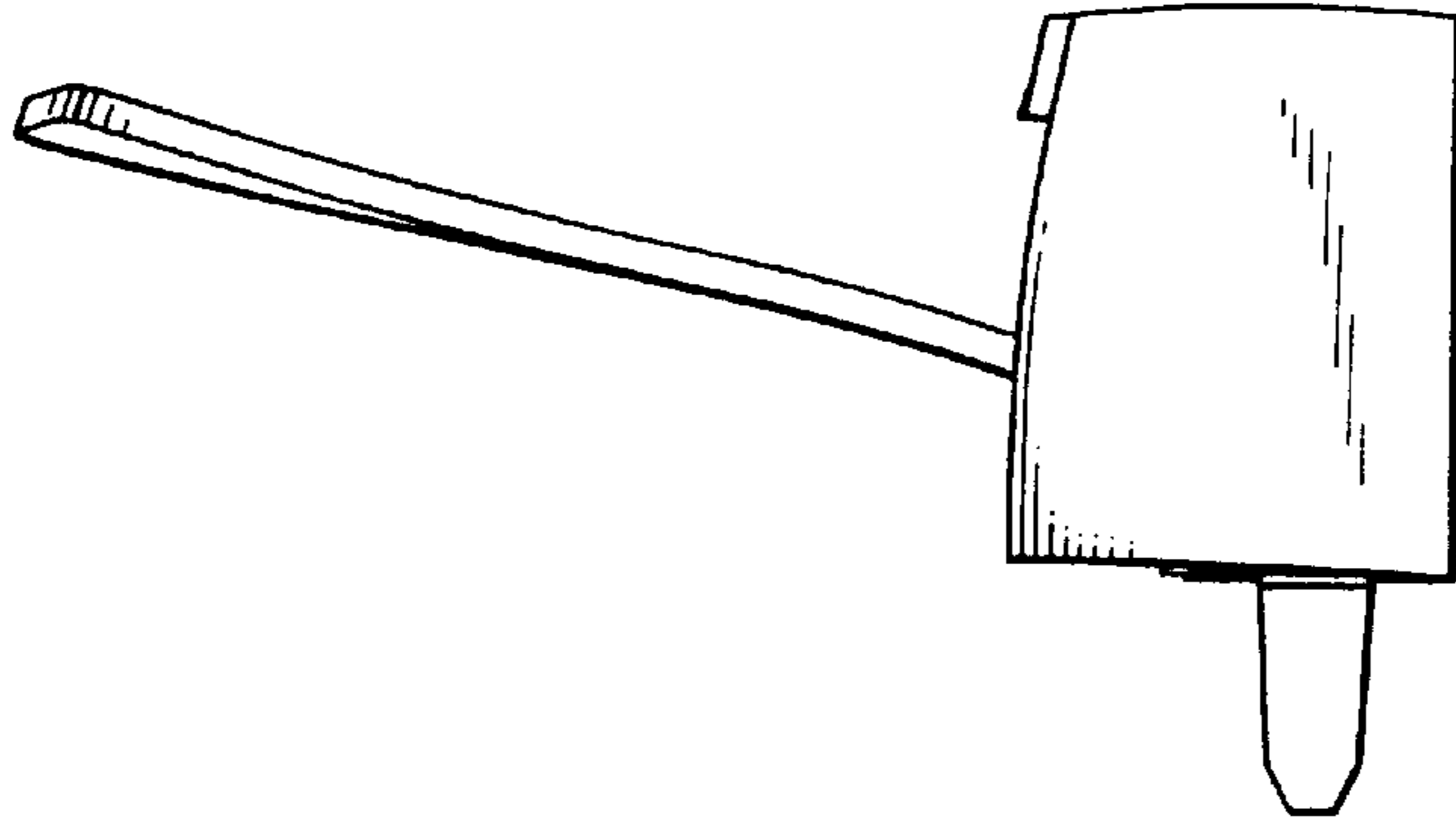


FIG. 6

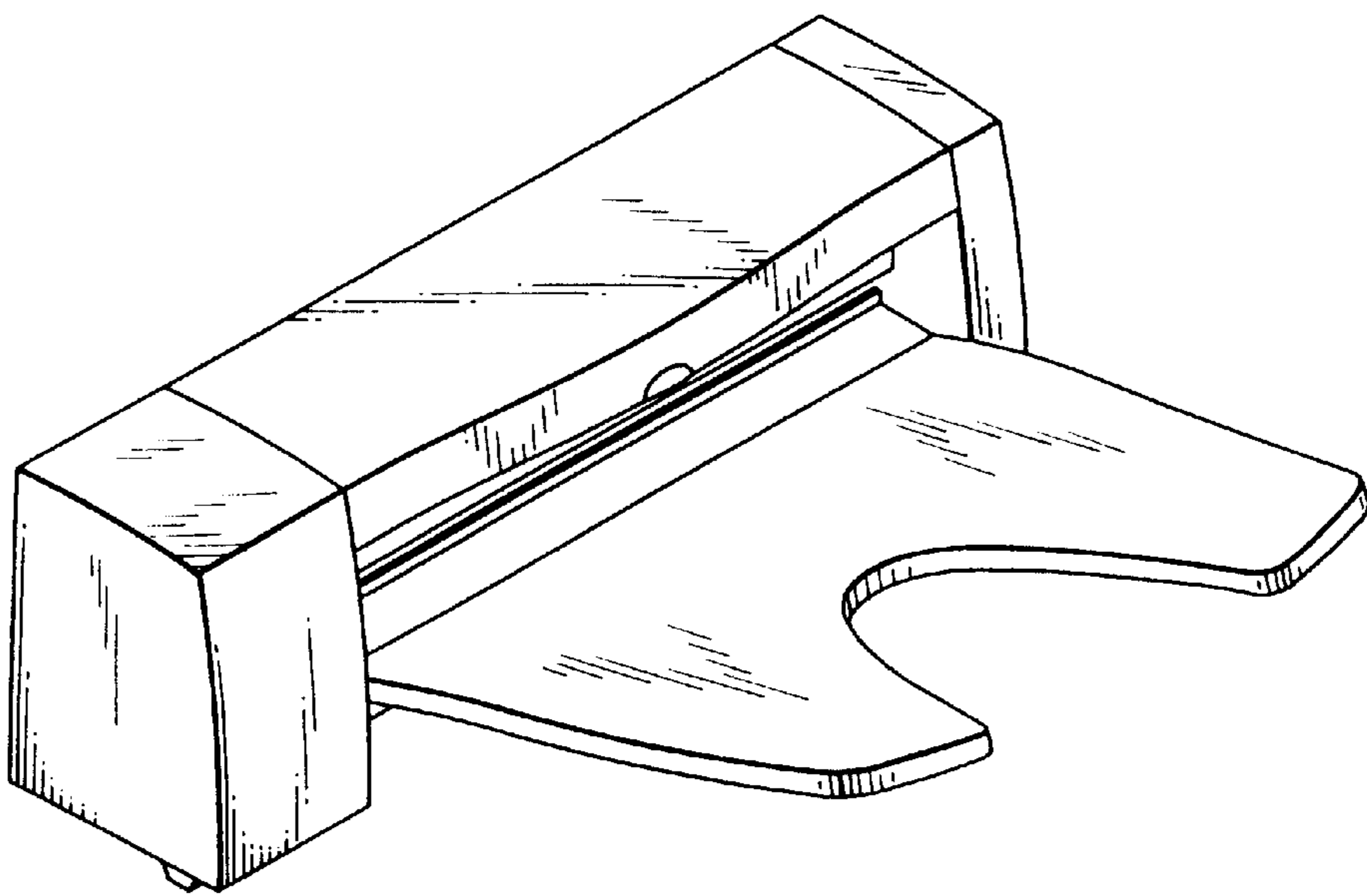


FIG. 7

