



US00D439605S

(12) **United States Design Patent**
Ichi et al.

(10) **Patent No.: US D439,605 S**

(45) **Date of Patent: ** Mar. 27, 2001**

(54) **HANDLE AND FRONT PANEL PORTION OF A PAPER FEED CASSETTE**

(75) Inventors: **Yoshihiro Ichi; Yoko Takahashi; Tomonari Asai; Takashi Munakata; Yuusuke Ikeda**, all of Osaka (JP)

(73) Assignee: **Minolta Co., Ltd.**, Osaka (JP)

(**) Term: **14 Years**

(21) Appl. No.: **29/120,915**

(22) Filed: **Mar. 29, 2000**

(30) **Foreign Application Priority Data**

Sep. 29, 1999 (JP) 11-26396
Sep. 29, 1999 (JP) 11-26397

(51) **LOC (7) Cl. 16-03**

(52) **U.S. Cl. D18/40**

(58) **Field of Search** D18/36-40; D8/315, D8/316; 16/110.1, 415; 399/1-7, 75, 411

(56) **References Cited**

U.S. PATENT DOCUMENTS

D. 358,412 * 5/1995 Momose et al. D18/39
D. 413,350 * 8/1999 Sanaka D18/44

OTHER PUBLICATIONS

Minolta Dialta Di180f Catalog, Japan, Jan. 1999.
Minolta Dialta Di180 Catalog, Japan, Feb. 1999.
Sharp AR-N200 Libre Catalog, Japan, Apr. 1999.
Sharp AR-F160 Libre Catalog, Japan, May 1999.
Copy Machine Catalog (Spirio 300W/350W), JPO Design Department Prior Art No. HN09013045.

* cited by examiner

Primary Examiner—Caron D. Veynar
(74) *Attorney, Agent, or Firm*—Burns, Doane, Swecker & Mathis, LLP

(57) **CLAIM**

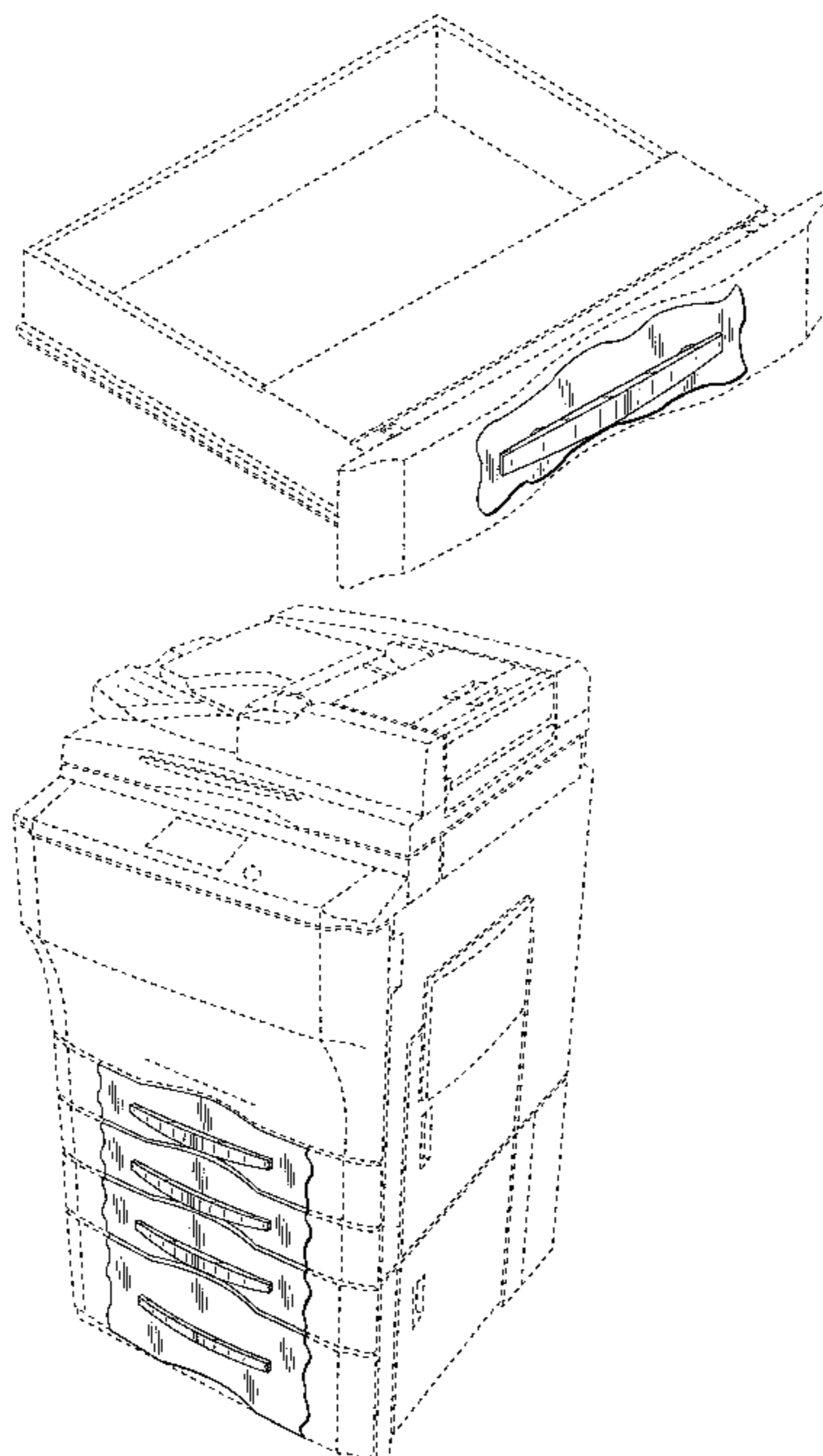
The ornamental design for a handle and front panel portion of a paper feed cassette, as shown and described.

DESCRIPTION

FIG. 1 is a front perspective view of a handle and front panel portion of a paper feed cassette showing our new design; FIG. 2 is a top plan view thereof; FIG. 3 is a front elevational view thereof; FIG. 4 is a rear elevational view thereof; FIG. 5 is a right side elevational view thereof, the left side elevational view being a mirror image thereof; FIG. 6 is a bottom plan view thereof; FIG. 7 is a cross-sectional view taken in the direction of line VII—VII shown in FIG. 3; FIG. 8 is a front perspective view of a handle and front panel portion of a paper feed cassette showing a further embodiment of our new design; FIG. 9 is a front elevational view thereof; FIG. 10 is a left side elevational view thereof; FIG. 11 is a right side elevational view thereof; FIG. 12 is a rear elevational view thereof; FIG. 13 is a top plan view thereof; FIG. 14 is a bottom plan view thereof; and, FIG. 15 is a cross-sectional view taken in the direction of line XV—XV shown in FIG. 9.

The broken line showing of portions of the paper feed cassette tray and the copy machine is for illustrational purposes only and forms no part of the claimed design.

1 Claim, 13 Drawing Sheets



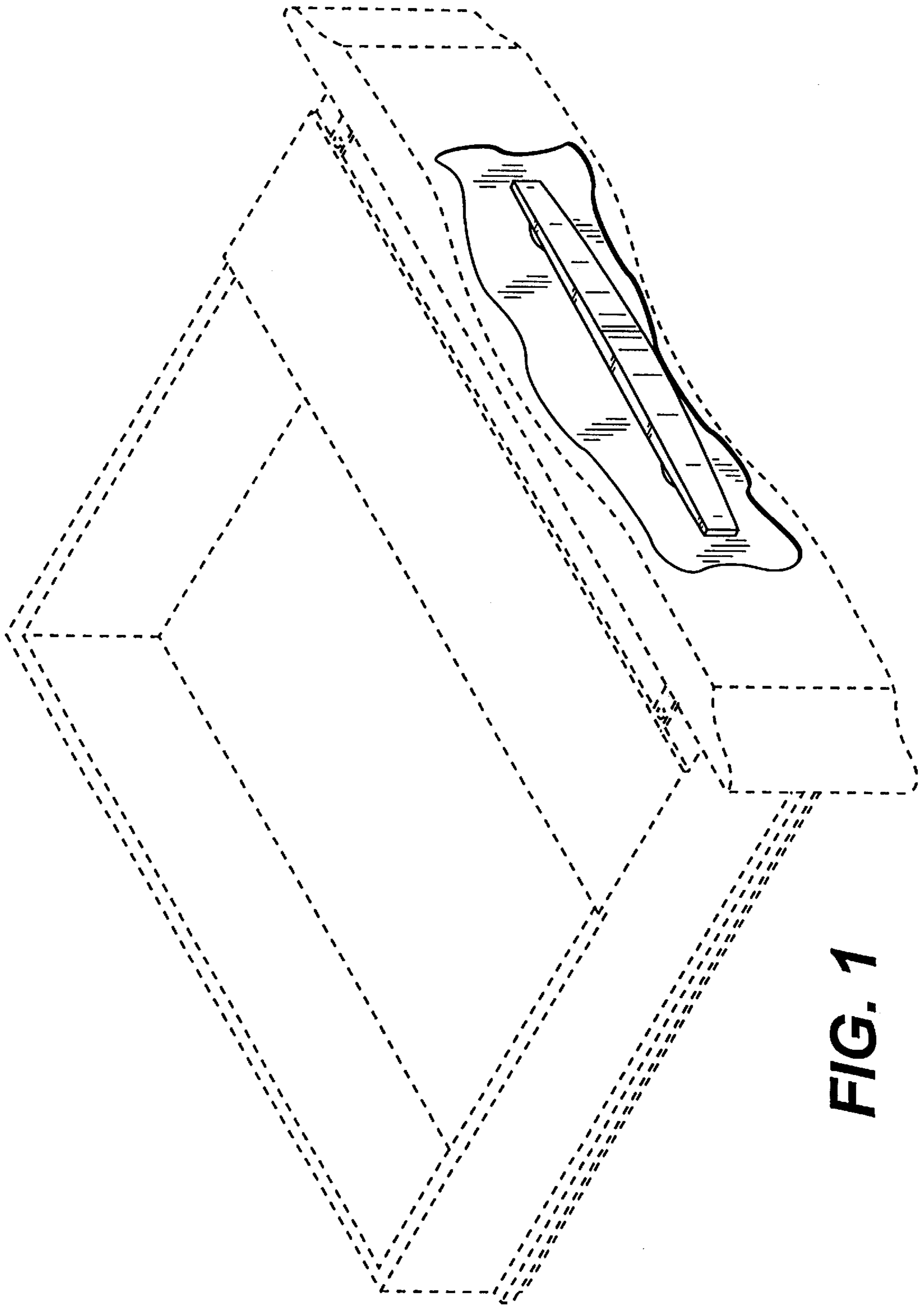


FIG. 1

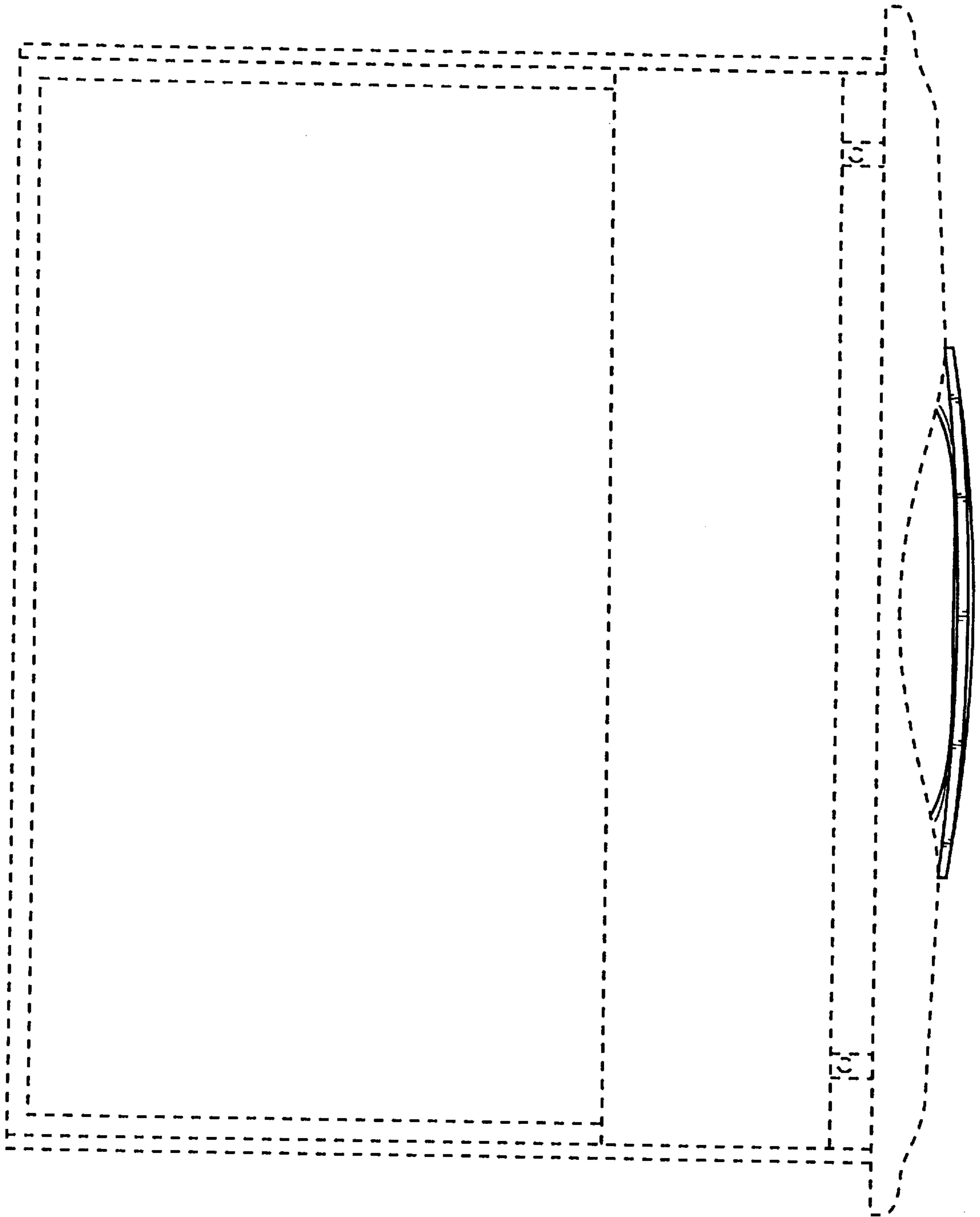


FIG. 2

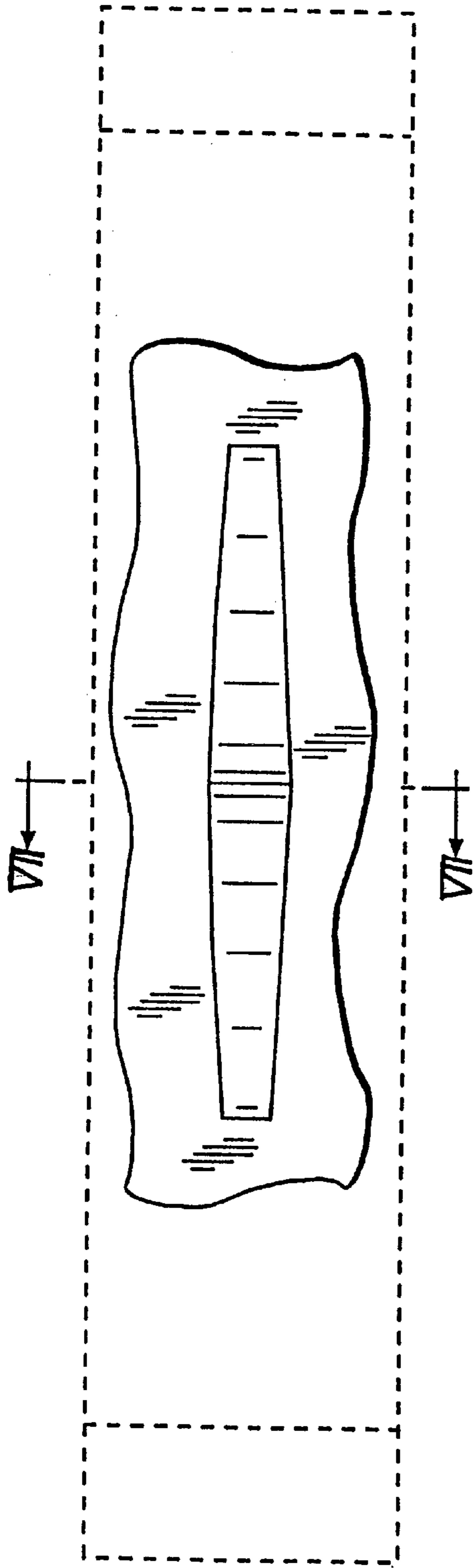


FIG. 3

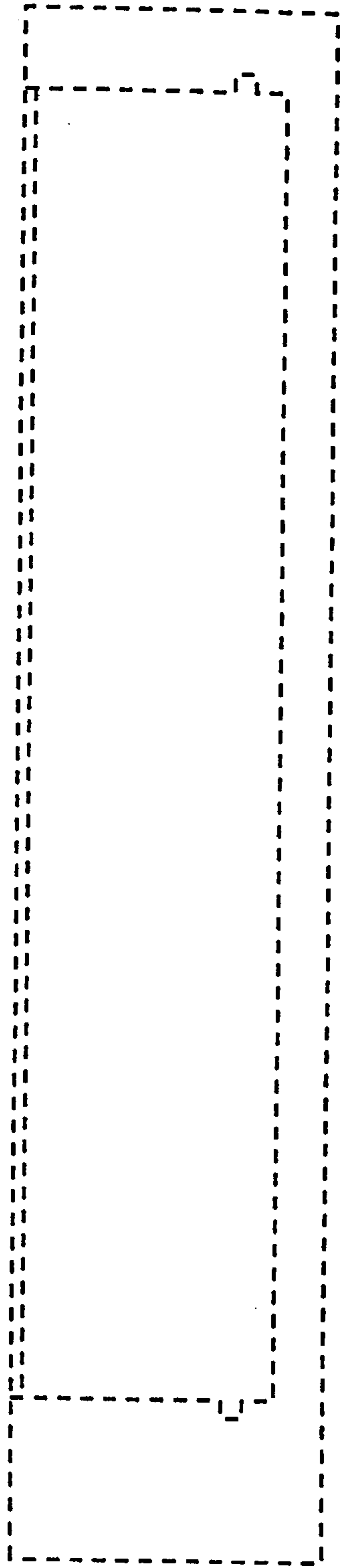


FIG. 4

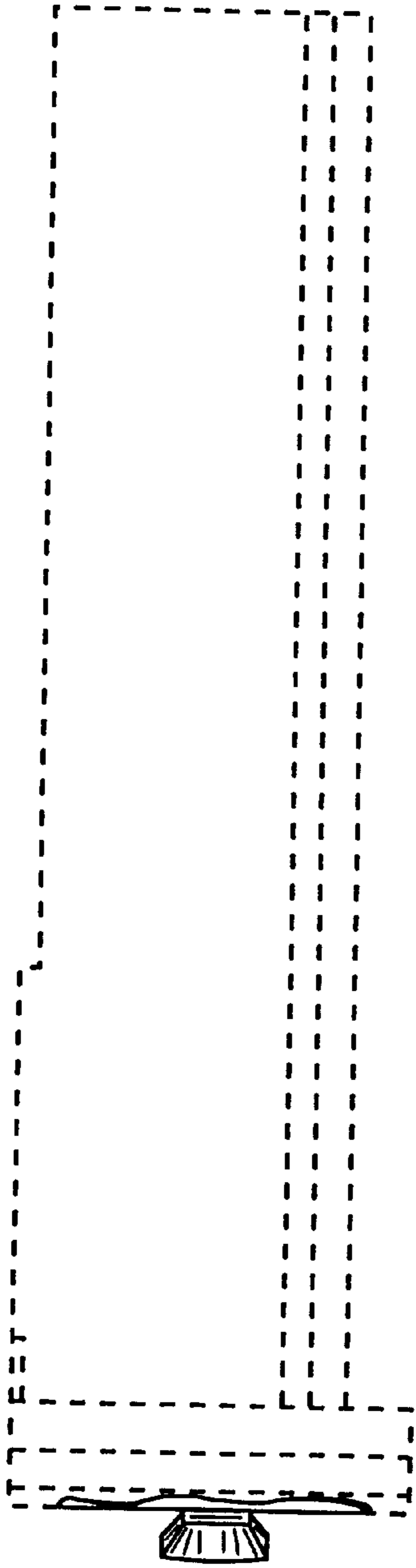


FIG. 5

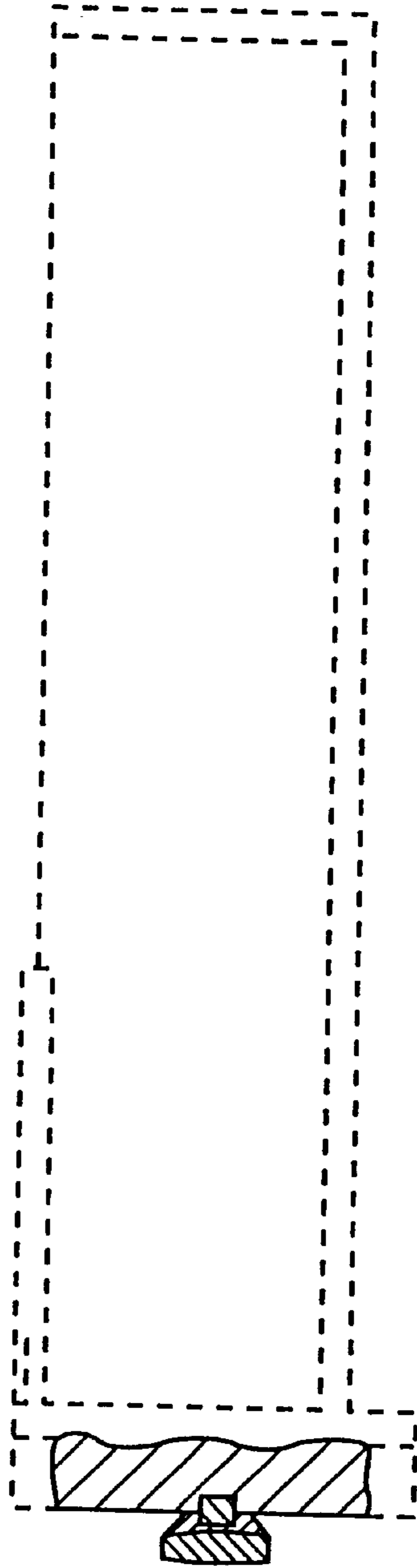


FIG. 7

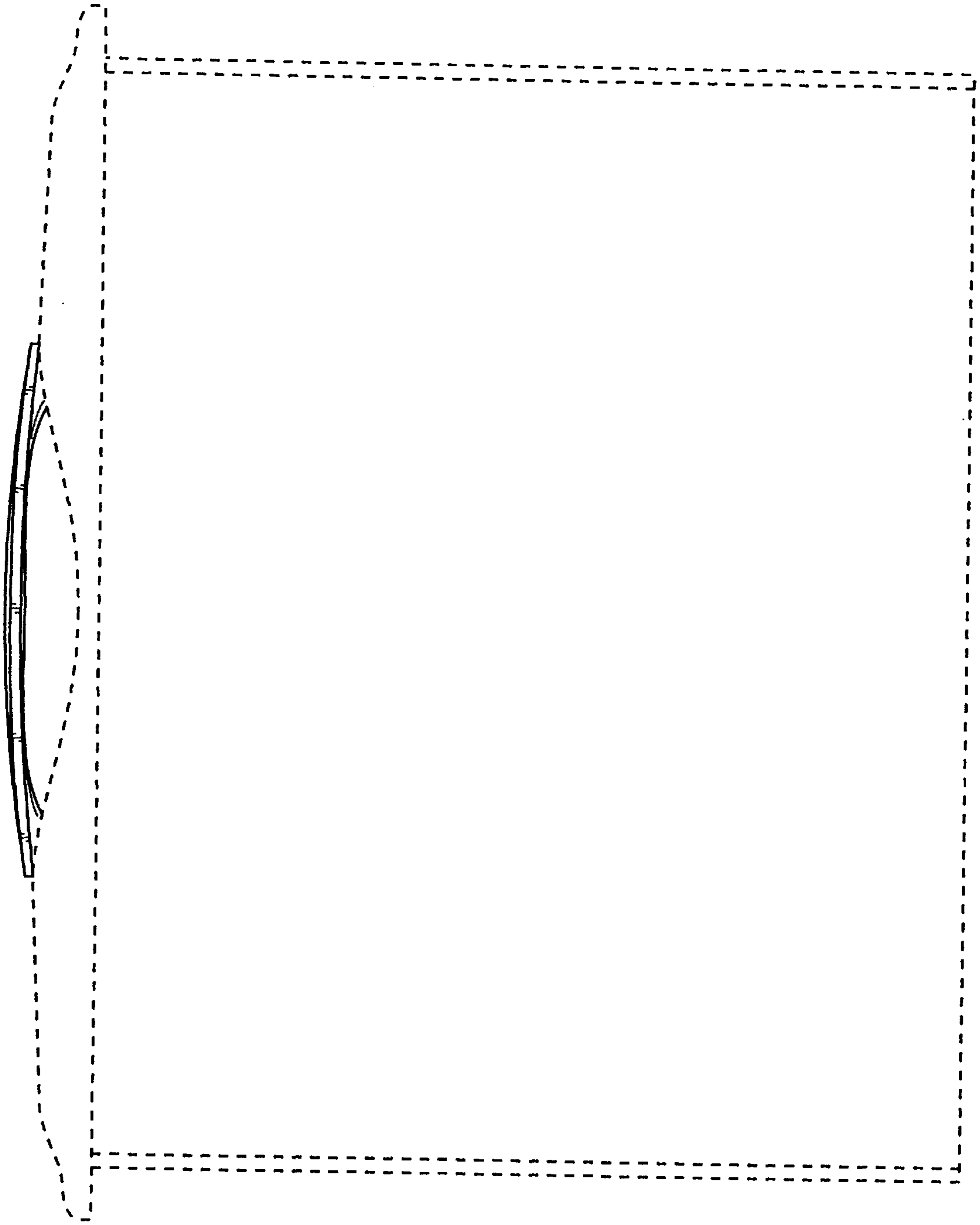


FIG. 6

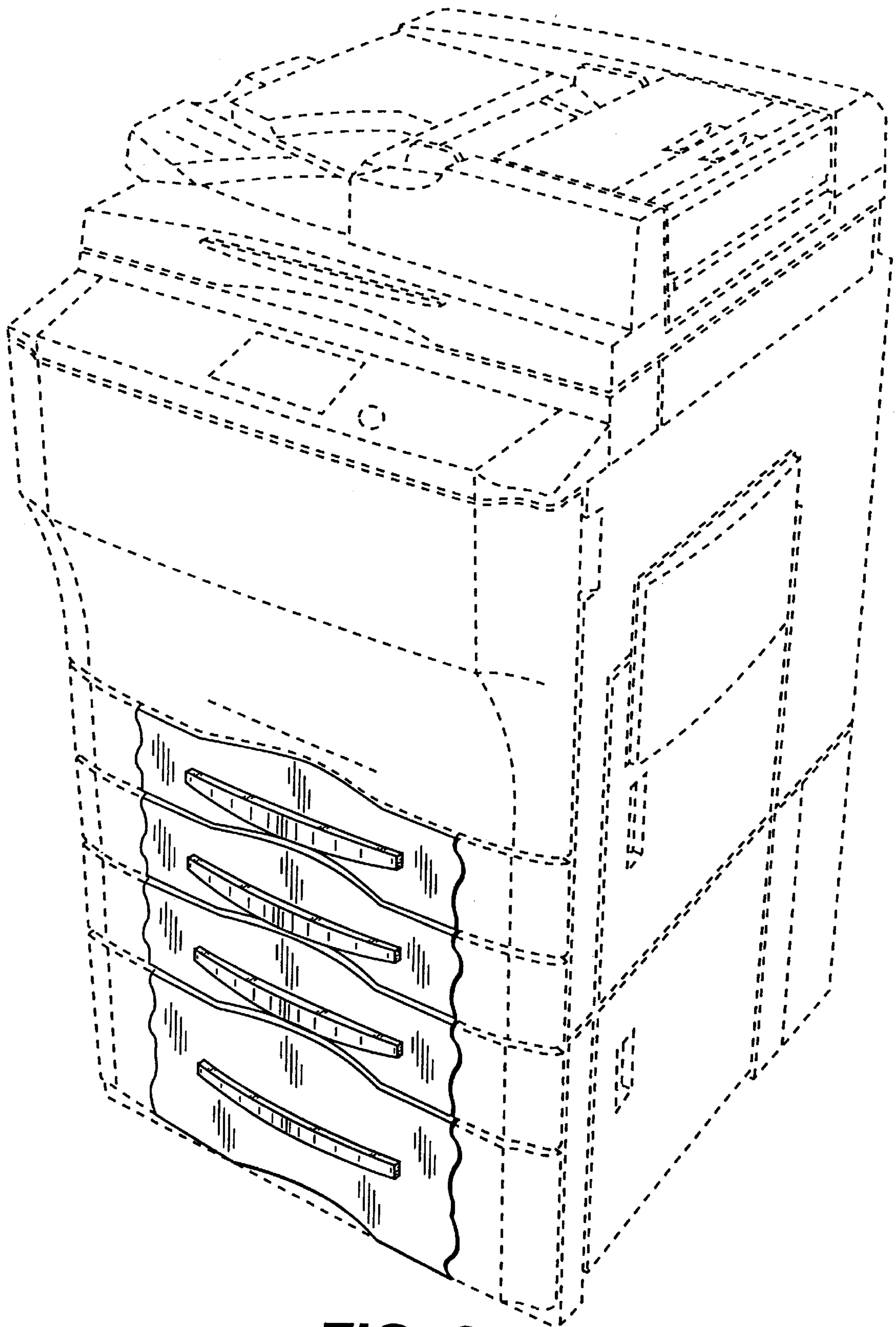


FIG. 8

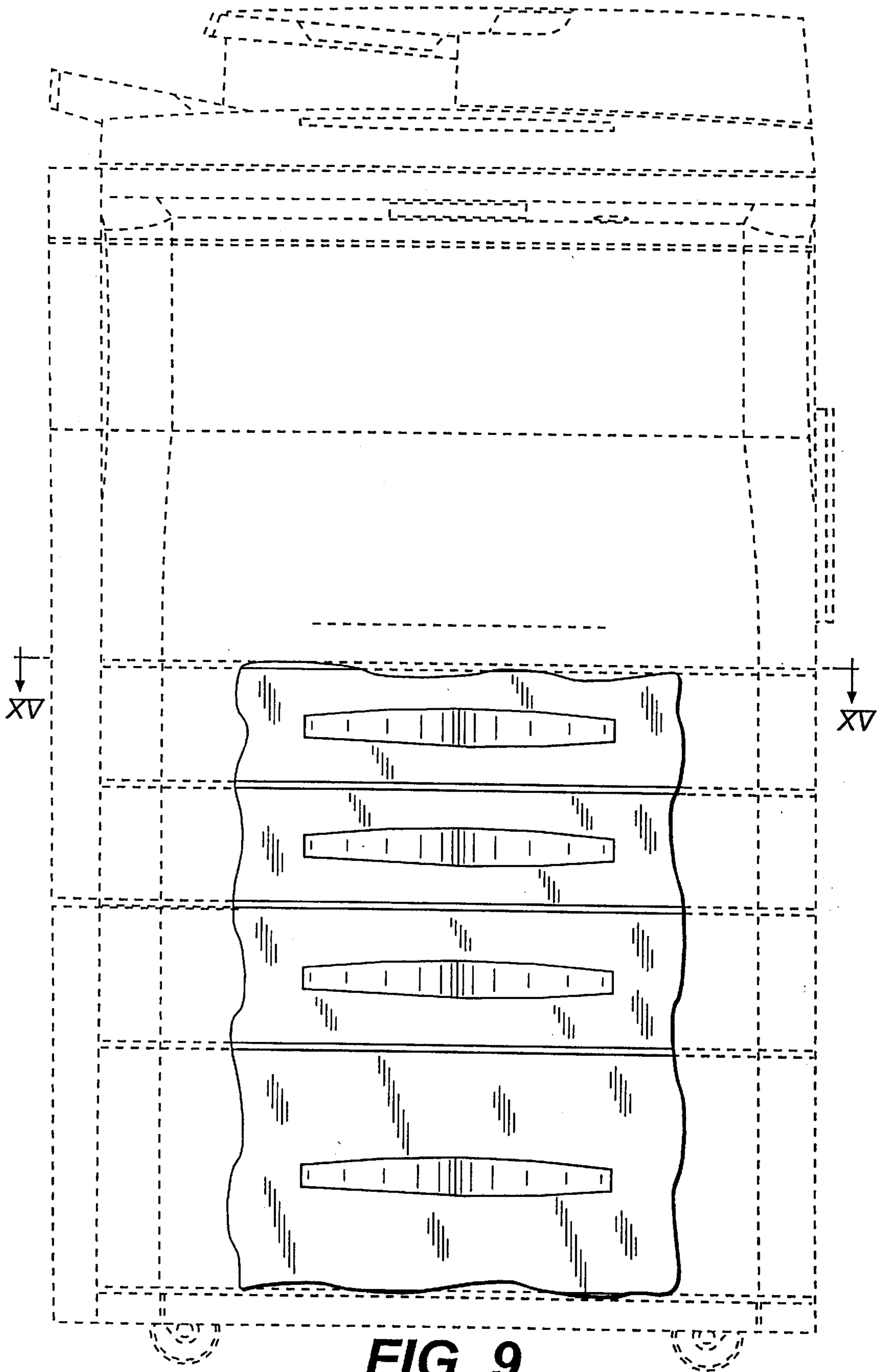


FIG. 9

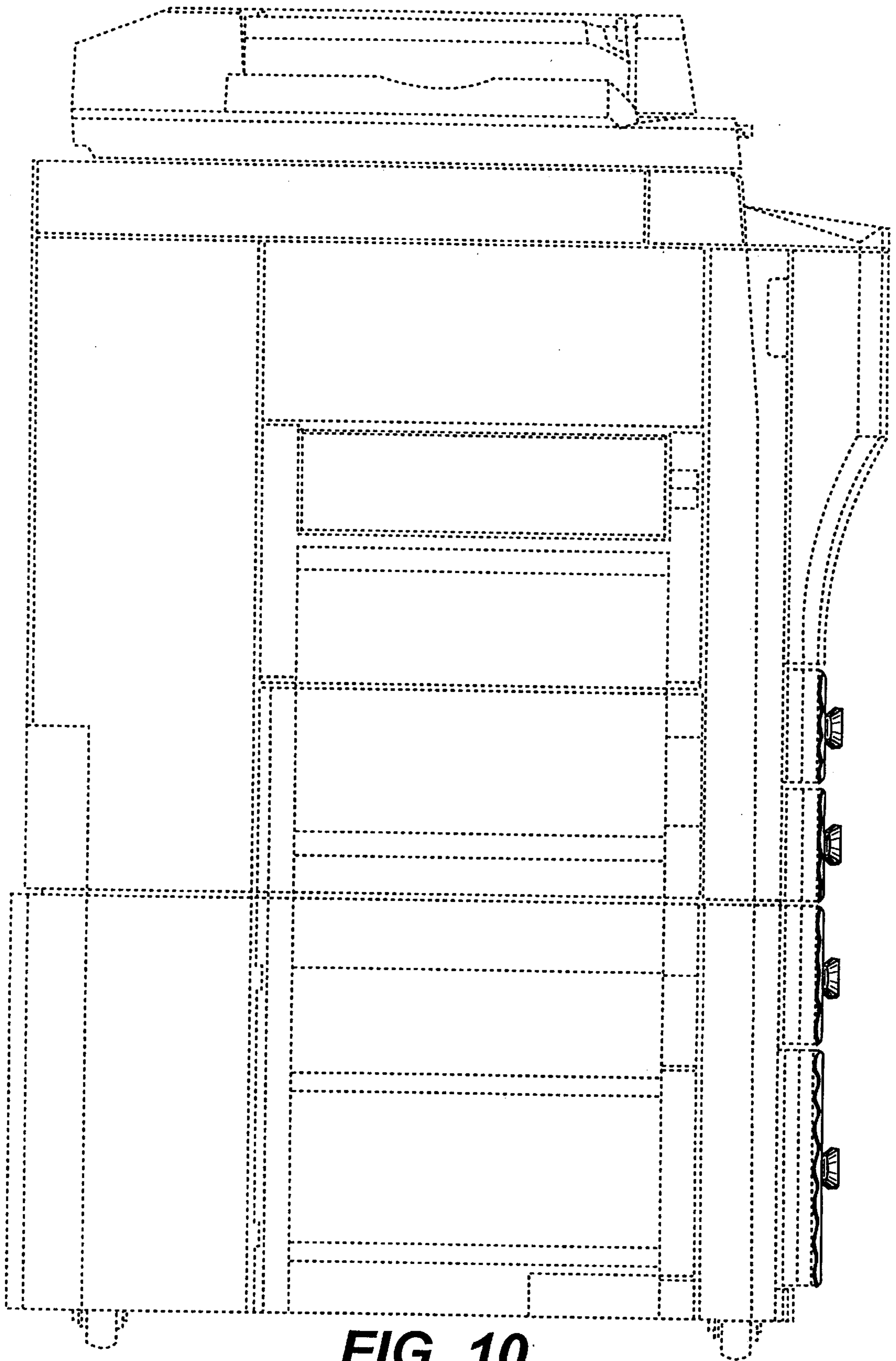


FIG. 10

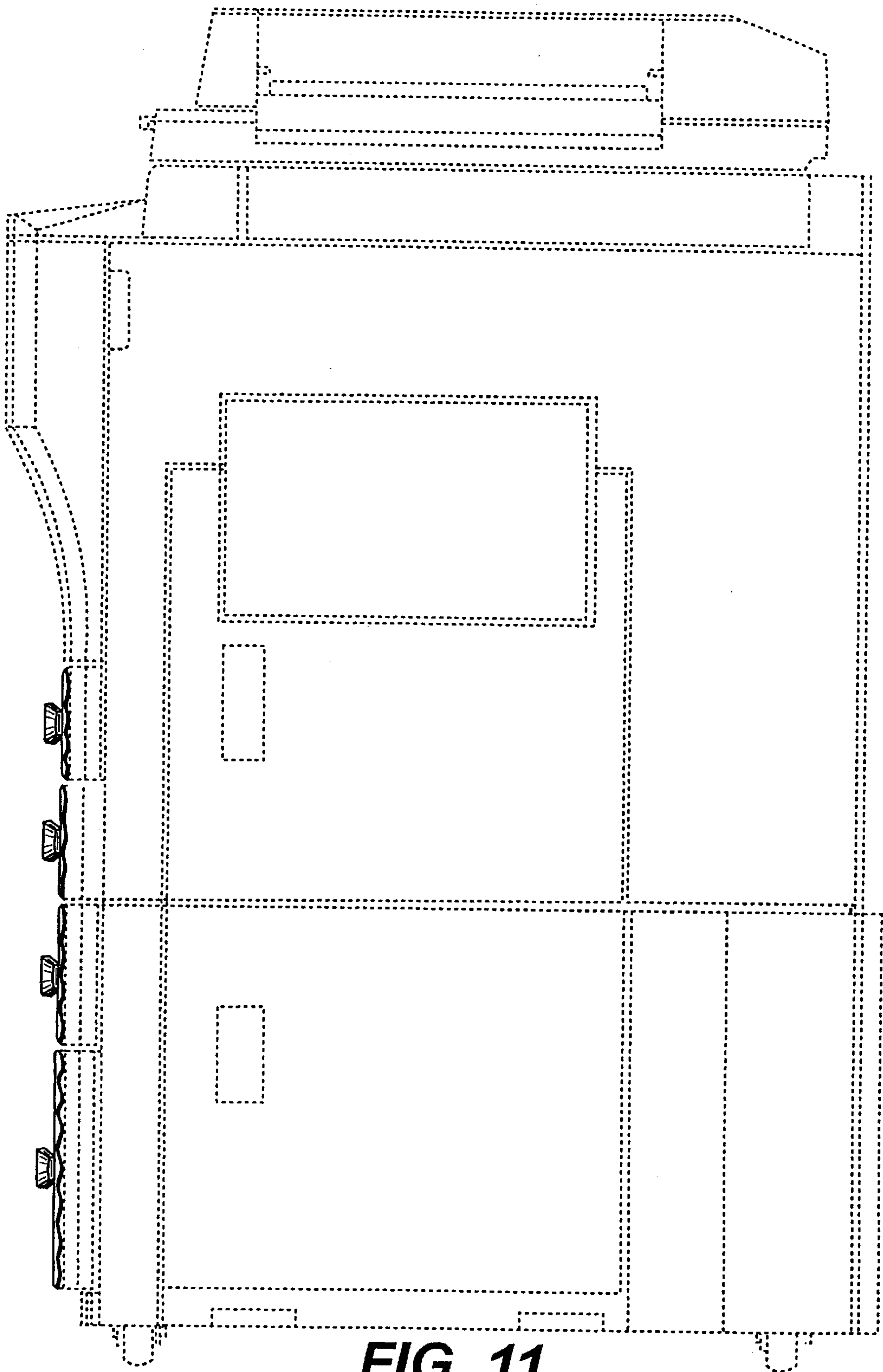


FIG. 11

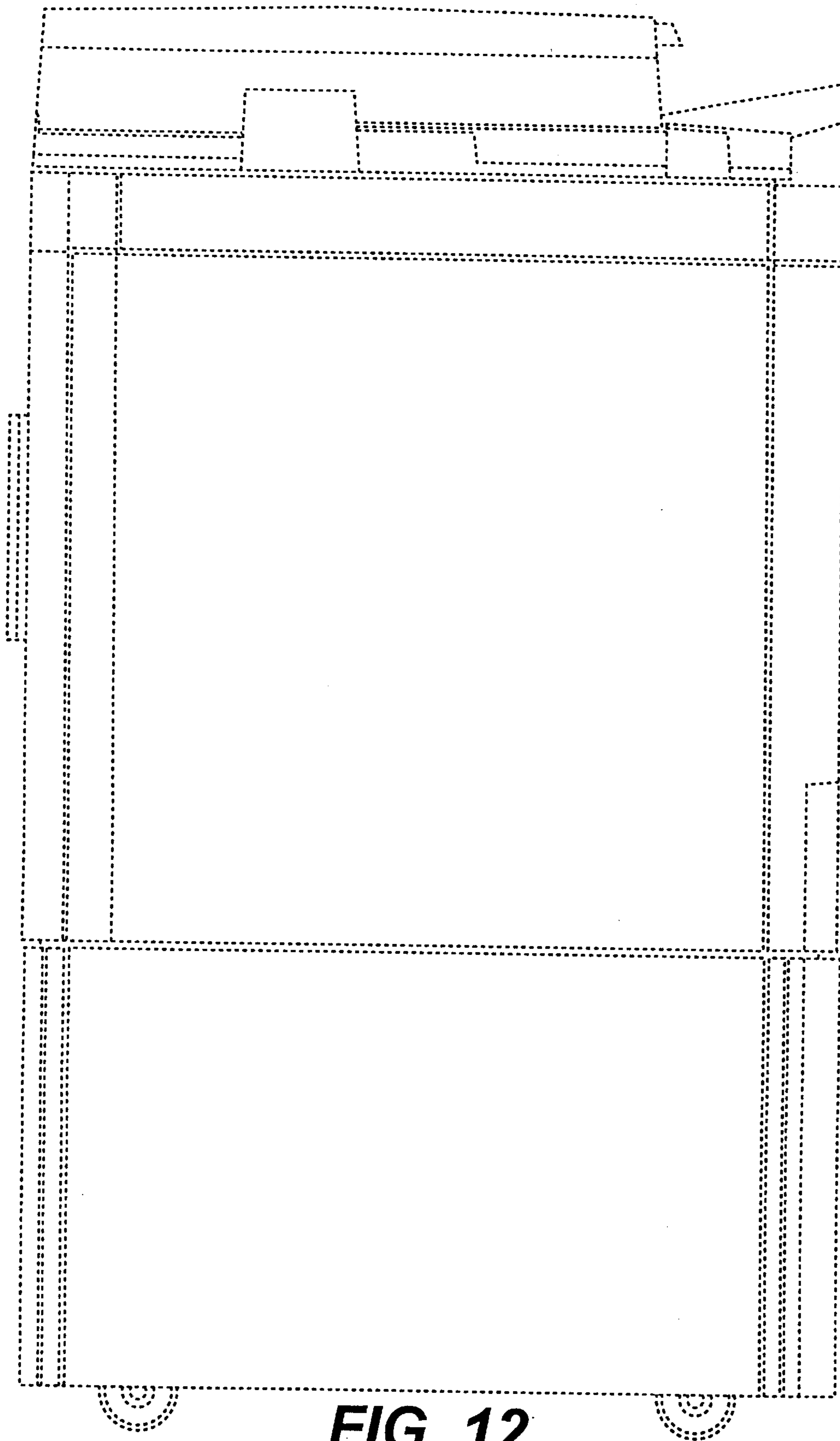


FIG. 12

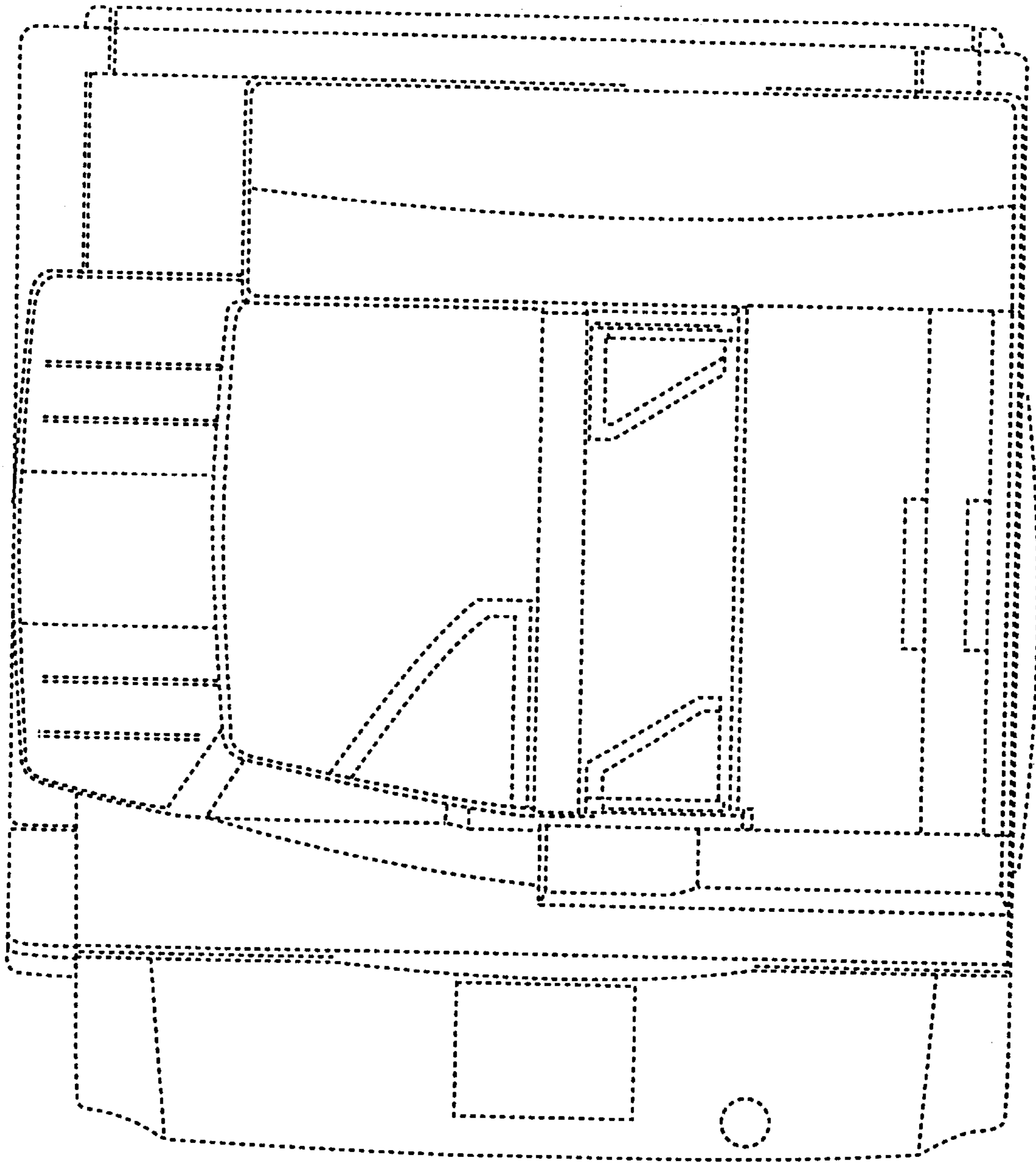


FIG. 13

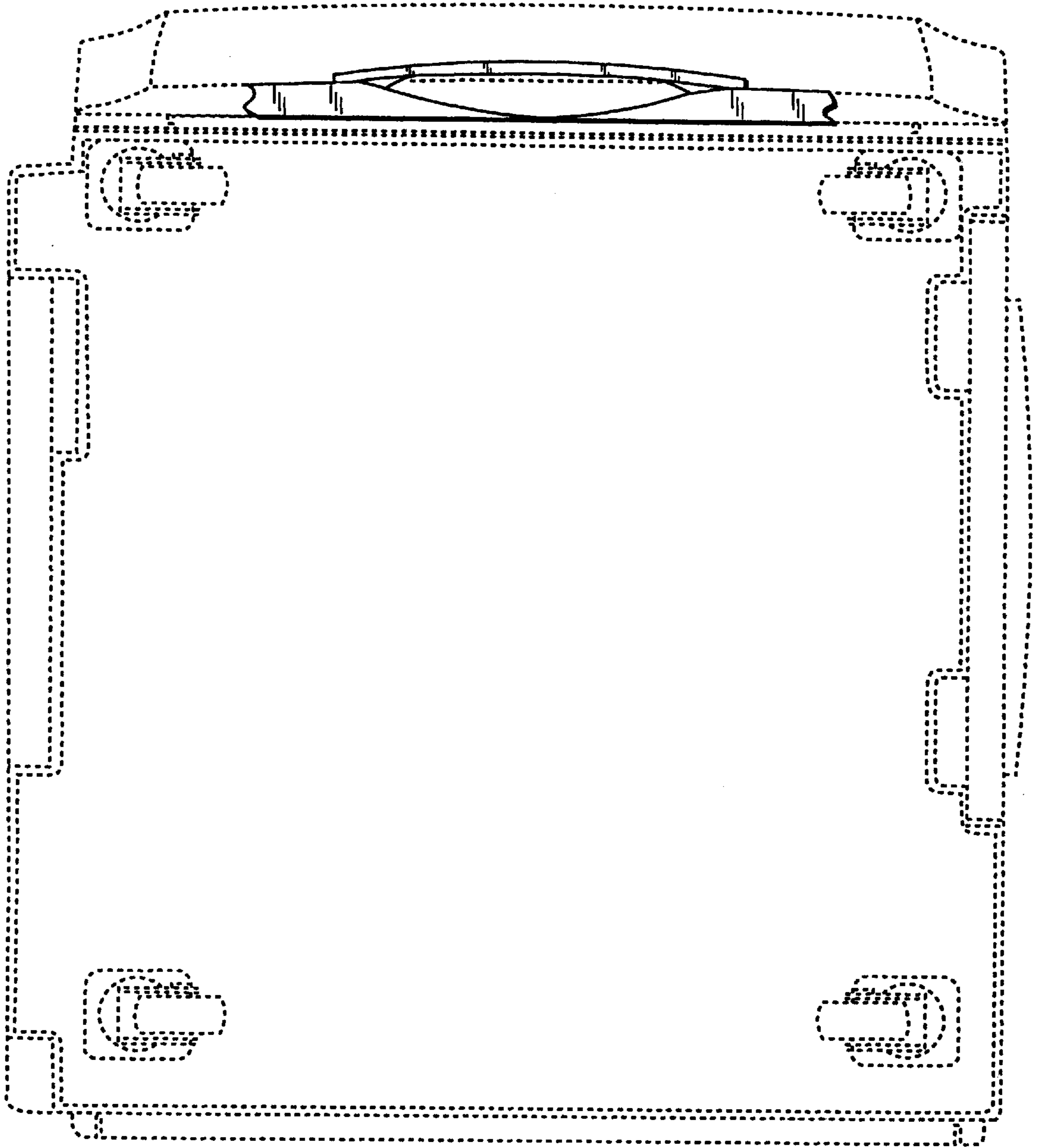


FIG. 14

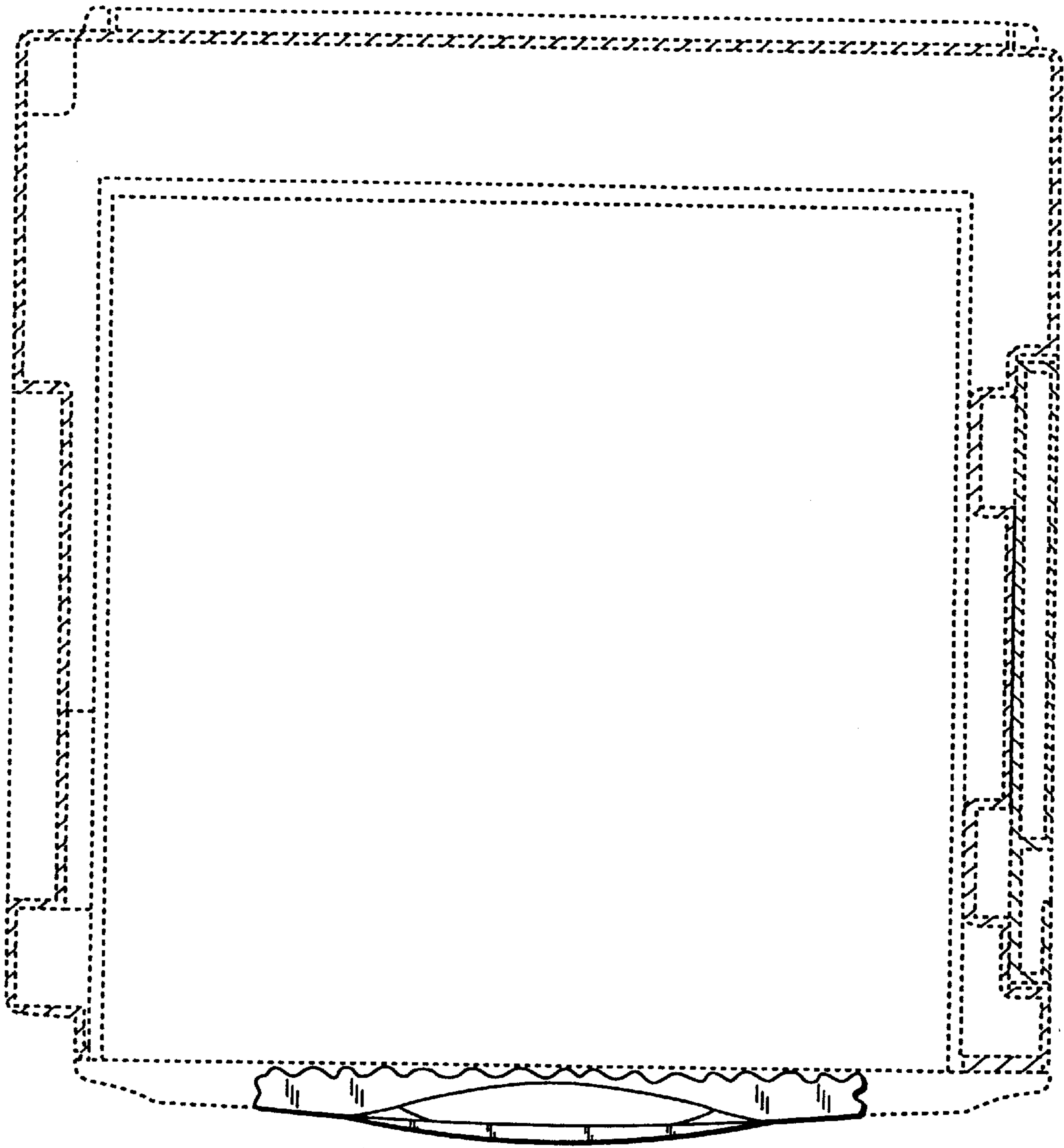


FIG. 15