



US00D439603S

(12) **United States Design Patent**
Laird

(10) **Patent No.:** **US D439,603 S**

(45) **Date of Patent:** **** Mar. 27, 2001**

(54) **ELECTRONIC GUITAR SIMULATOR**

Primary Examiner—Adir Aronovich

(76) Inventor: **Jeannie W Laird**, 1209-B Cullen,
Austin, TX (US) 78757

(57) **CLAIM**

(**) Term: **14 Years**

The ornamental design for an electronic guitar simulator, as shown and described.

(21) Appl. No.: **29/118,606**

DESCRIPTION

(22) Filed: **Feb. 11, 2000**

(51) **LOC (7) Cl.** **17-99**

FIG. 1 is a top, front, left side perspective view of an electronic guitar simulator of the present invention;

(52) **U.S. Cl.** **D17/99**

FIG. 2 is an exploded bottom, rear, right side perspective view of the electronic guitar simulator of FIG. 1;

(58) **Field of Search** D17/14, 15, 20,
D17/99; 84/293, 314 R, 453, 470 R, 471 R,
477 R, 485 R, 646

FIG. 3 is a top plan view of the electronic guitar simulator of FIG. 1;

(56) **References Cited**

FIG. 4 is a left side elevational view of the electronic guitar simulator of FIG. 1;

U.S. PATENT DOCUMENTS

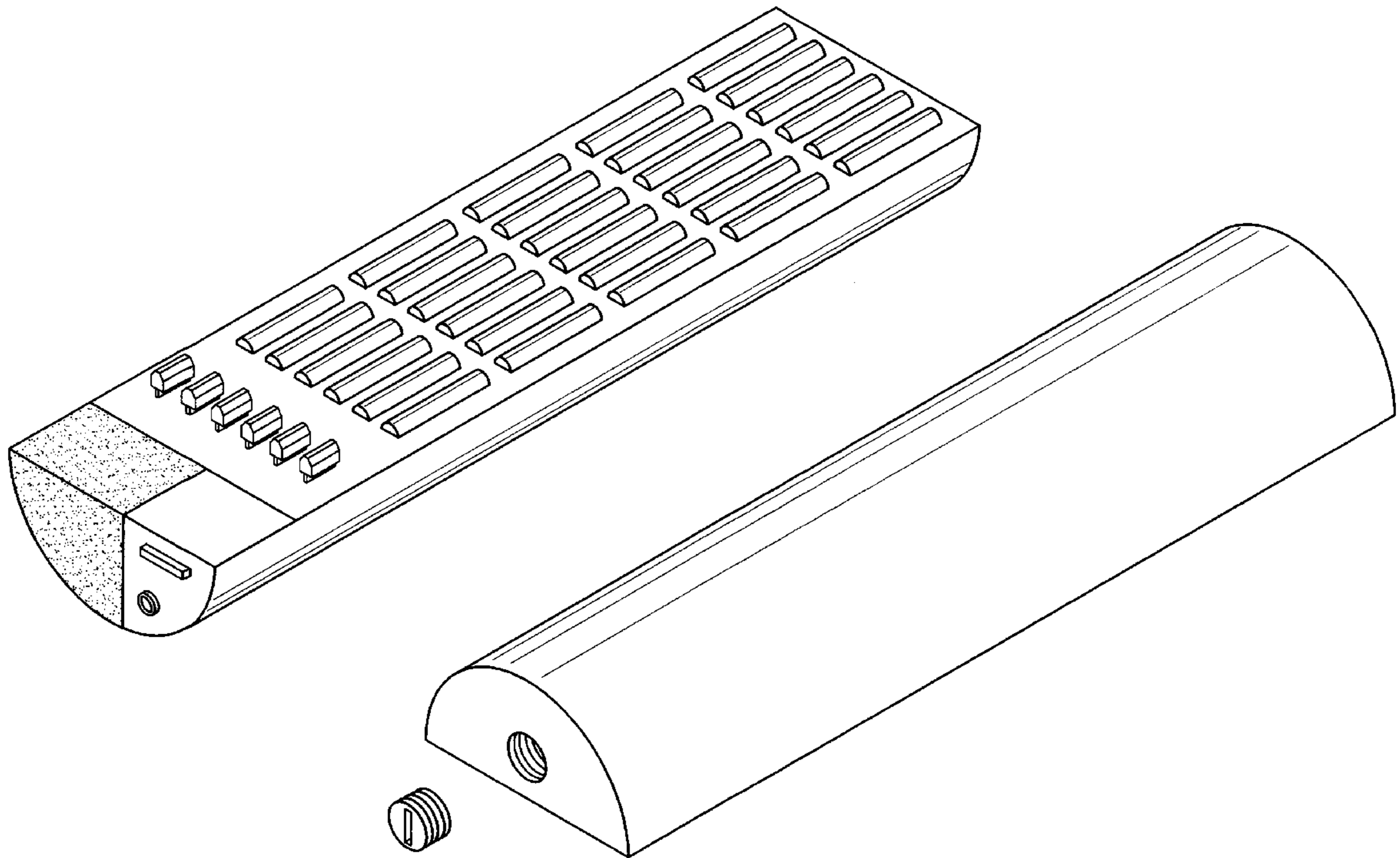
FIG. 5 is a front elevational view of the electronic guitar simulator of FIG. 1, the rear elevational view being a mirror image thereof; and,

D. 249,182	*	8/1978	Greer	D17/99
D. 327,288	*	6/1992	Oreo	D17/99
3,218,904	*	11/1965	Hartman	84/485 R
3,854,370	*	12/1974	Sapinski	84/485 R
4,791,848	*	12/1988	Blum, Jr.	84/453
5,140,887	*	8/1992	Chapman	84/646

FIG. 6 is a bottom plan view of the electronic guitar simulator of FIG. 1.

* cited by examiner

1 Claim, 3 Drawing Sheets



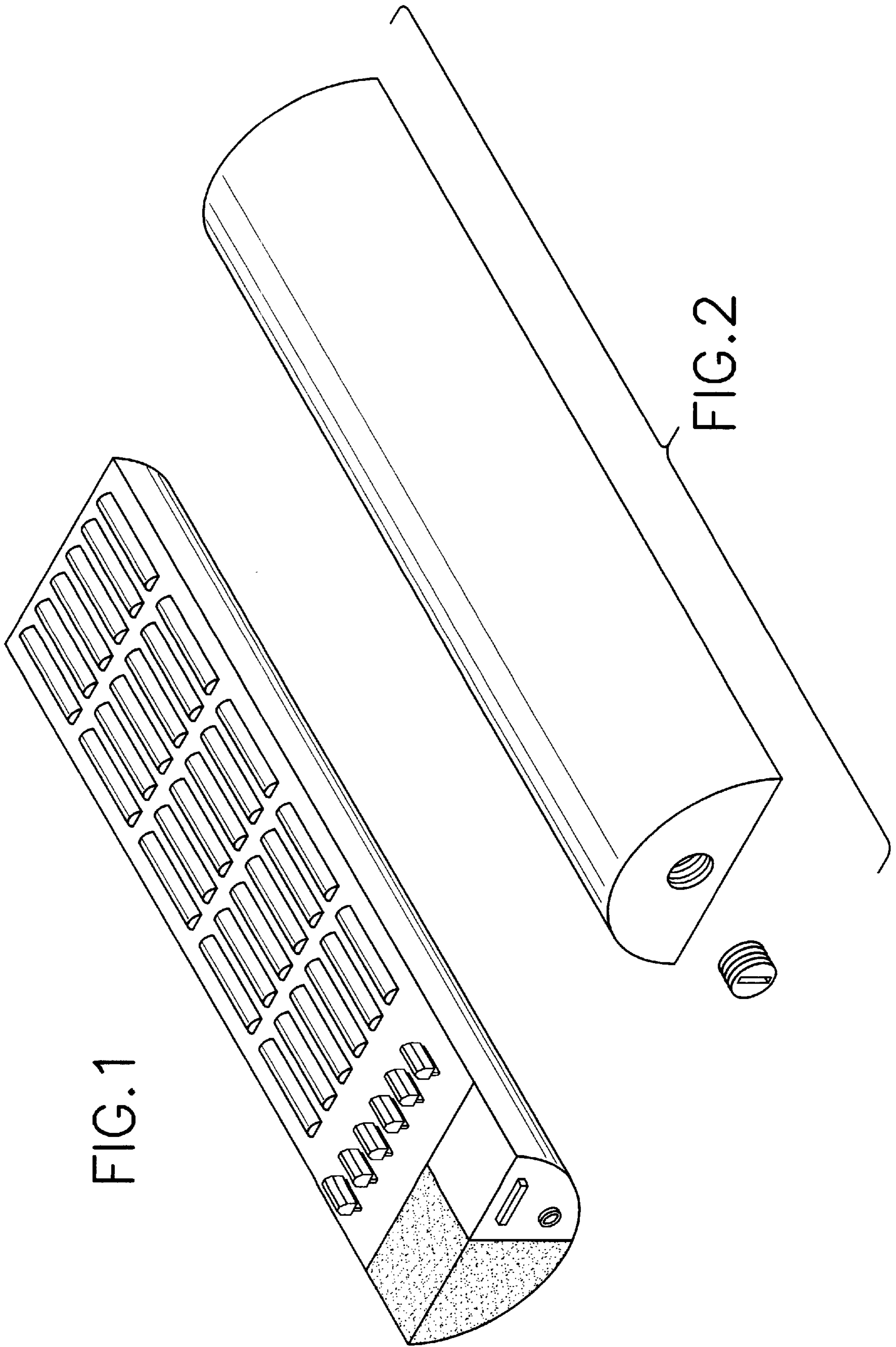


FIG. 1

FIG. 2

FIG. 3

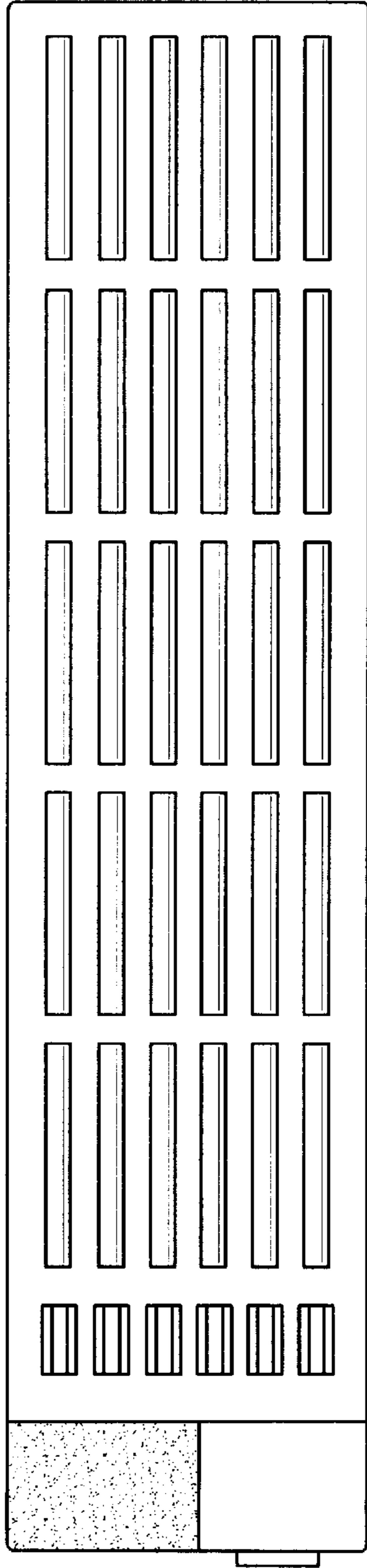


FIG. 4

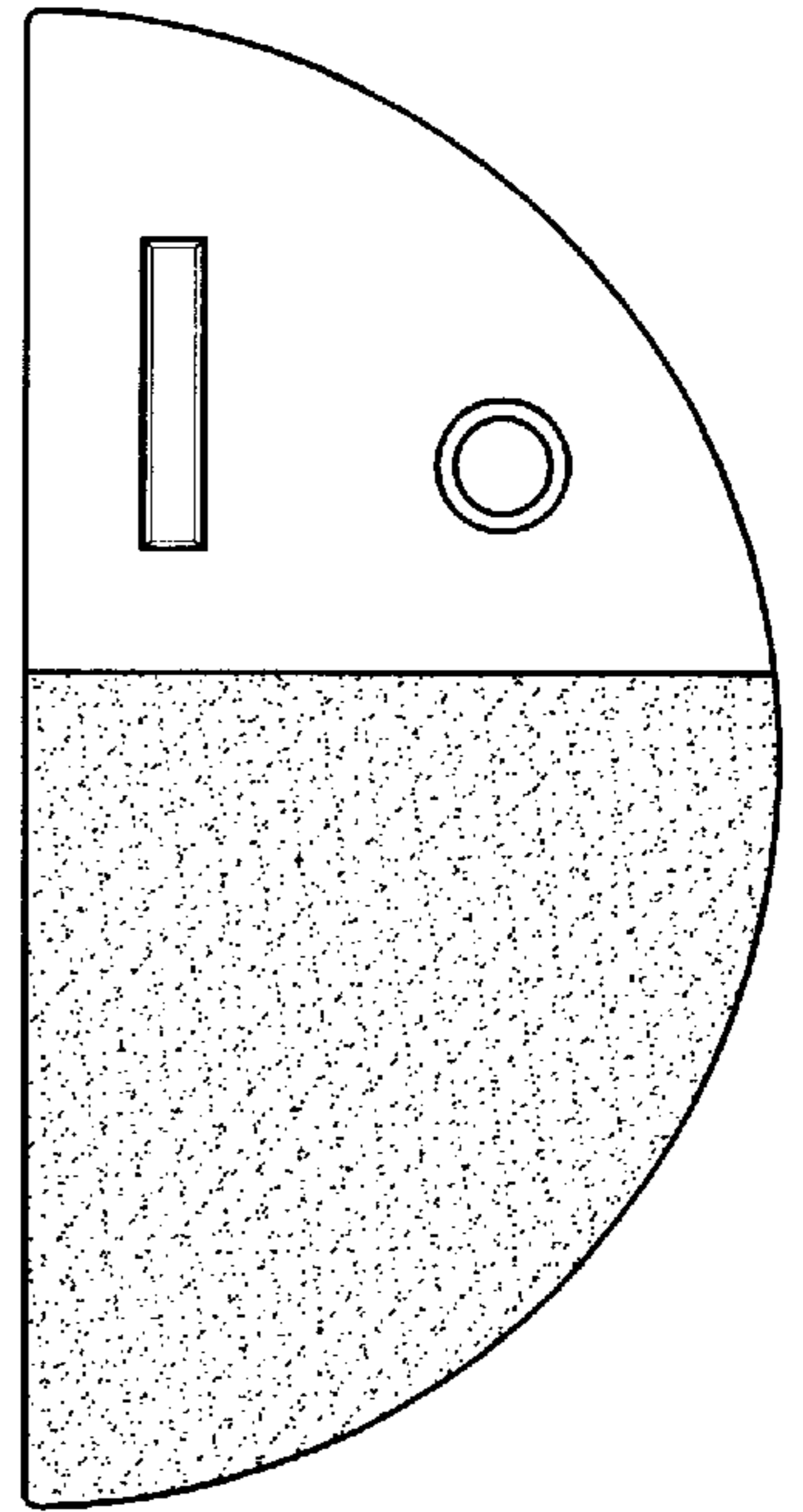


FIG 5

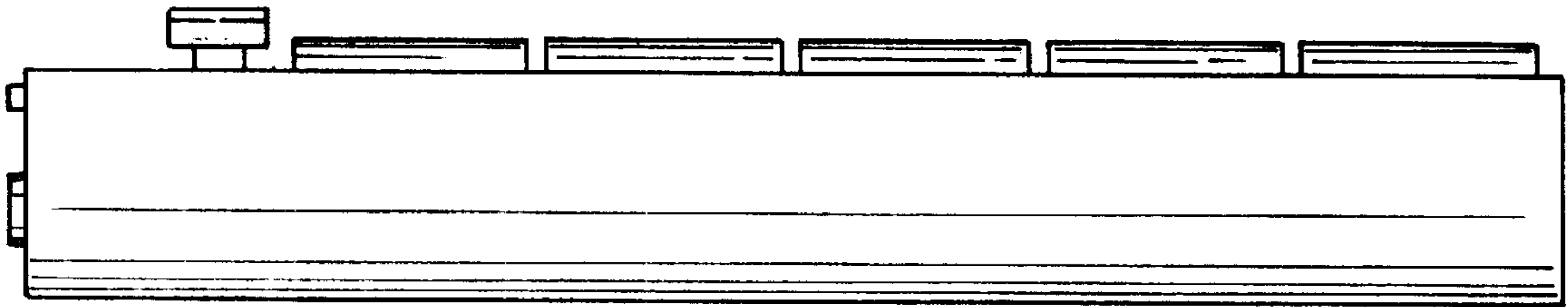


FIG 6

