



US00D439601S

(12) **United States Design Patent**
Byrne

(10) **Patent No.:** **US D439,601 S**

(45) **Date of Patent:** **** Mar. 27, 2001**

(54) **VIOLIN BODY**

6,120,910 * 9/2000 Szenics 84/291

(76) Inventor: **Shawn Byrne**, 16473 Sun Summit Dr.,
Riverside, CA (US) 92503

* cited by examiner

(**) Term: **14 Years**

Primary Examiner—Adir Aronovich

(74) *Attorney, Agent, or Firm*—Myers, Dawes & Andras;
Joseph C. Andras

(21) Appl. No.: **29/124,222**

(57) **CLAIM**

(22) Filed: **May 31, 2000**

The ornamental design for a violin body, as shown and described.

(51) **LOC (7) Cl.** **17-03**

(52) **U.S. Cl.** **D17/17**

(58) **Field of Search** D17/14, 17, 19,
D17/20; 84/274, 275, 276, 277, 291

DESCRIPTION

(56) **References Cited**

U.S. PATENT DOCUMENTS

D. 17,888	*	11/1887	Darbyshire	D17/17
100,284	*	3/1870	Grandjon	84/291
D. 114,773	*	5/1939	Sunshine	D17/19
D. 155,881	*	11/1949	Evers	D17/17
D. 175,328	*	8/1955	Van Pelt	D17/17
1,048,449	*	12/1912	Francis	84/275

FIG. 1 is a right-side elevational view of a violin body of the present invention;

FIG. 2 is a front elevational view thereof;

FIG. 3 is a back elevational view thereof;

FIG. 4 is a left-side elevational view thereof;

FIG. 5 is a top plan view thereof; and,

FIG. 6 is a bottom plan view thereof.

The broken lines are illustrated to show the environment only and form no part of the claimed design.

1 Claim, 3 Drawing Sheets

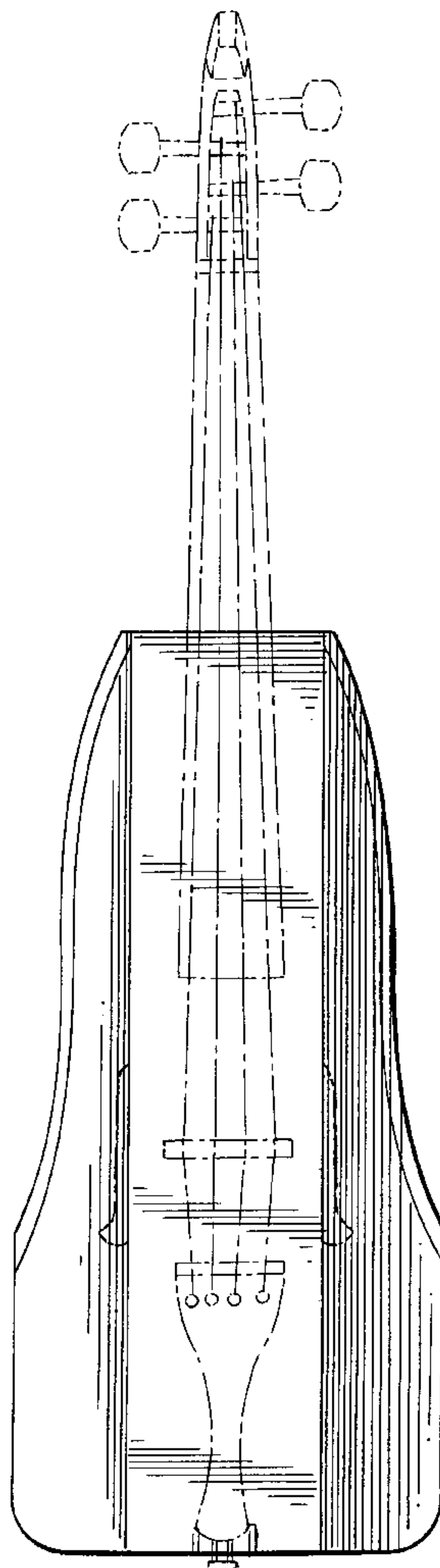


FIG. 1

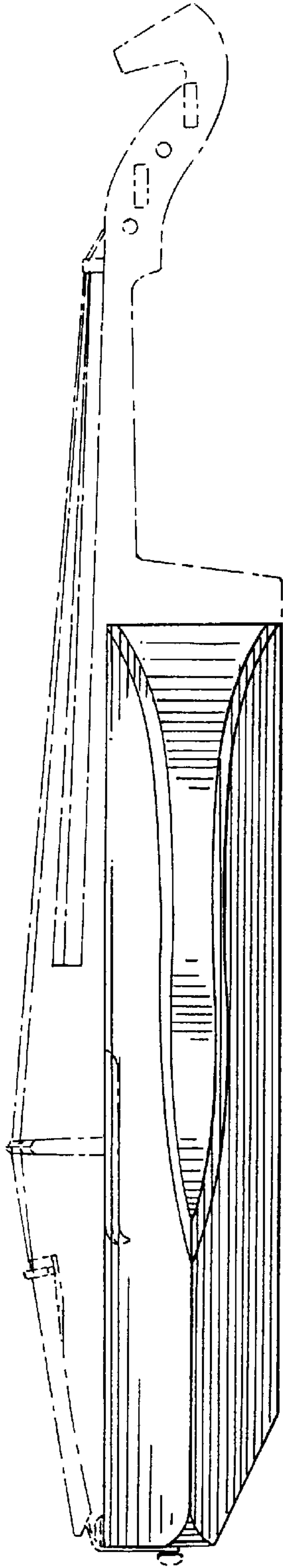


FIG. 2

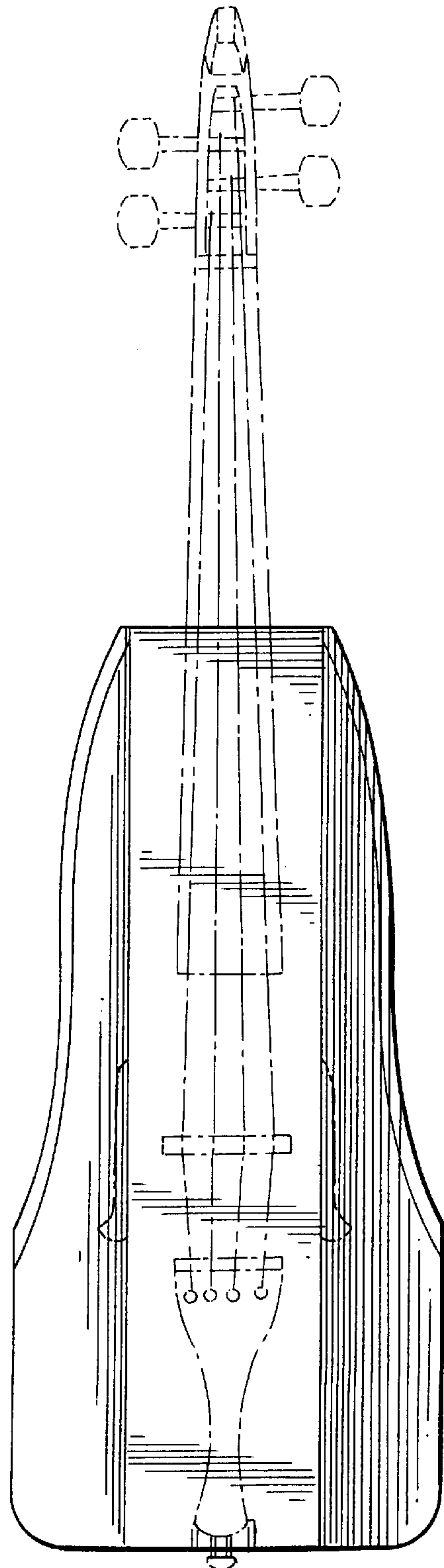


FIG. 3

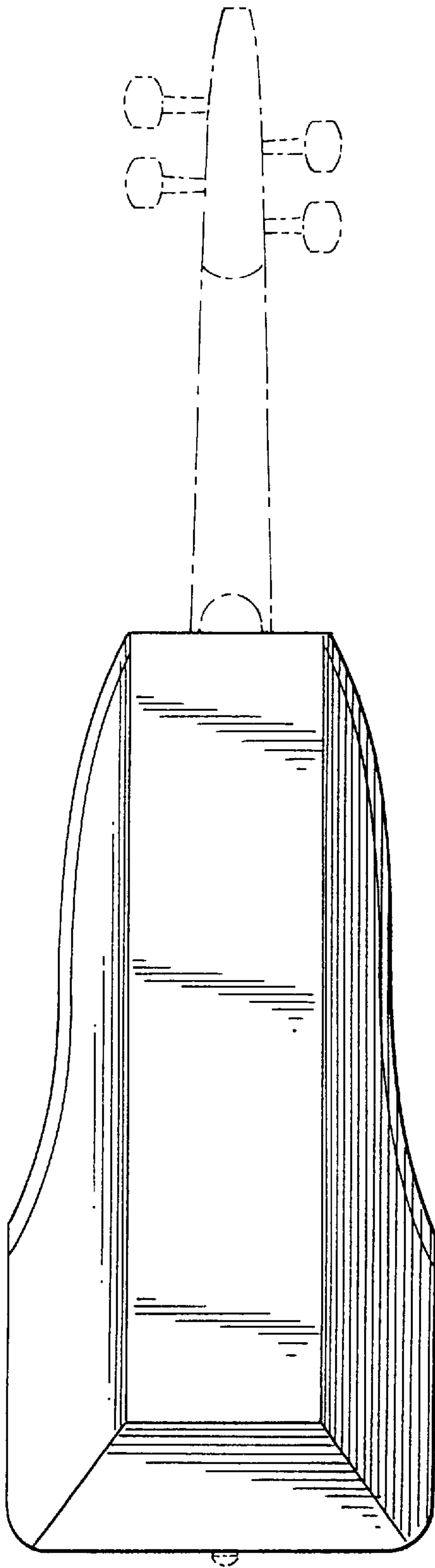


FIG. 4

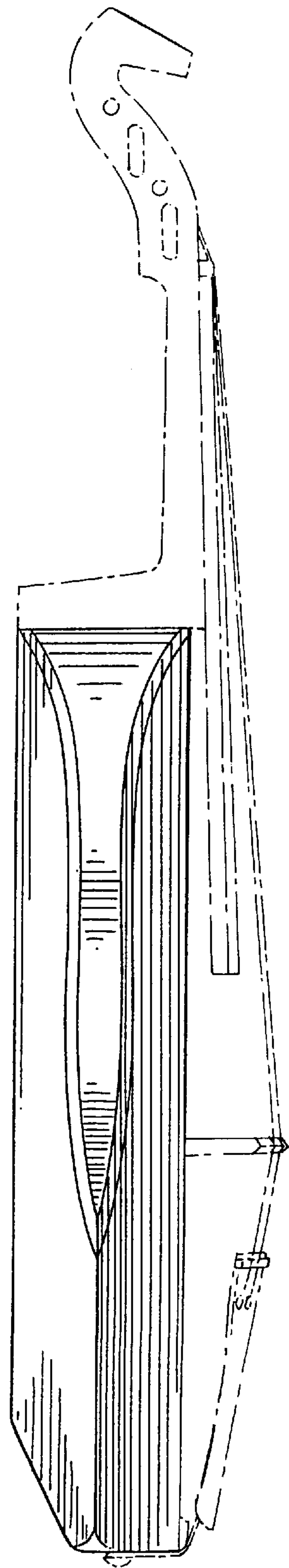


FIG. 5

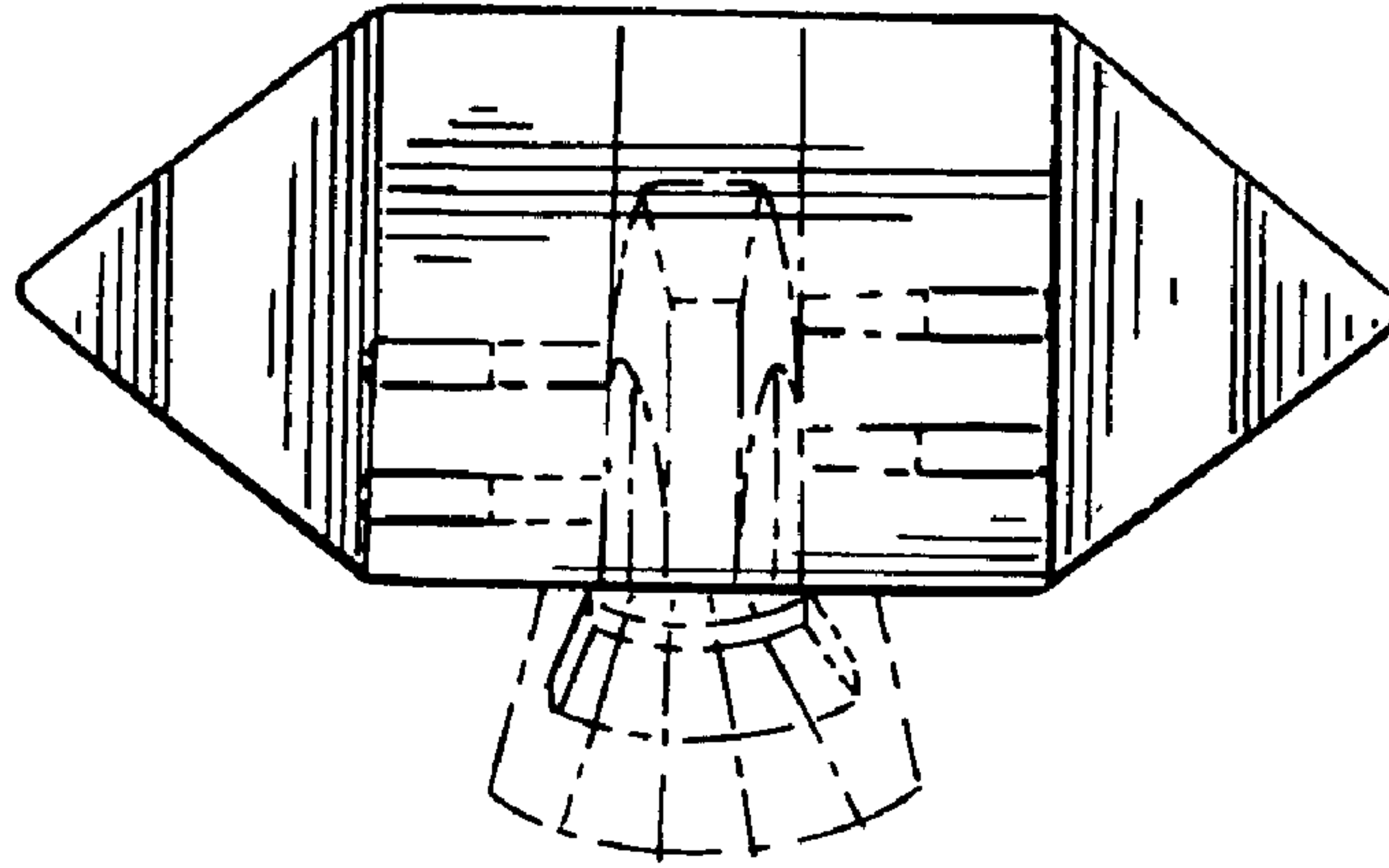


FIG. 6

