



US00D439591S

(12) **United States Design Patent**
Reidt et al.

(10) **Patent No.:** **US D439,591 S**
(45) **Date of Patent:** **** Mar. 27, 2001**

(54) **CAMERA AND MOTION SENSOR HOUSING**

5,155,474 * 10/1992 Park et al. 340/391

(75) Inventors: **Dean K. Reidt**, Cottage Grove; **Daryl R. Breitung**, Stillwater, both of MN (US)

* cited by examiner

Primary Examiner—Adir Aronovich
(74) *Attorney, Agent, or Firm*—Gerald E. Helget; Rider Bennett Egan & Arundel

(73) Assignee: **Trailtimmer Co.**, Cottage Grove, MN (US)

(57) **CLAIM**

(**) Term: **14 Years**

The ornamental design for a camera and motion sensor housing, as shown and described.

(21) Appl. No.: **29/123,210**

DESCRIPTION

(22) Filed: **May 12, 2000**

(51) **LOC (7) Cl.** **16-01**

(52) **U.S. Cl.** **D16/208; D16/207**

(58) **Field of Search** D16/200–204,
D16/207, 208, 218; 348/143, 373, 374,
375; 396/427, 428, 433; 340/691.1

FIG. 1 is a perspective view showing our new design mounted on a tree in phantom outline; FIG. 2 is a front elevational view; FIG. 3 is a left side elevational view; FIG. 4 is a rear elevational view; FIG. 5 is a right side elevational view; FIG. 6 is a top plan view; FIG. 7 is a bottom plan view; and, FIG. 8 is a front elevational view with the camera access door partially opened and the camera shown in phantom outline.

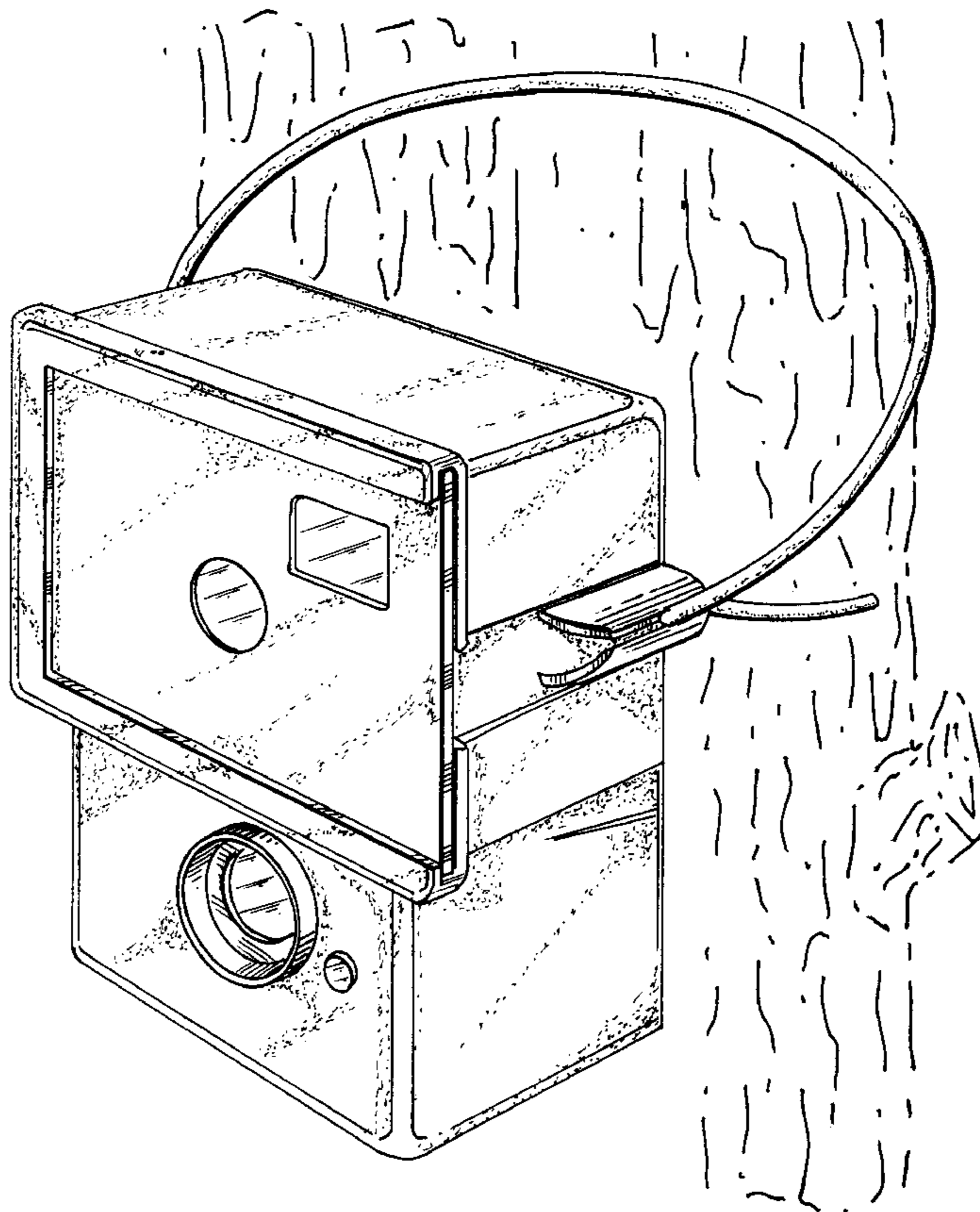
(56) **References Cited**

U.S. PATENT DOCUMENTS

D. 161,409	*	1/1951	Bachi	D16/208
D. 224,982	*	10/1972	Conner	D16/200
D. 296,551	*	7/1988	Mizogui	D16/202
4,007,469	*	2/1977	Land et al.	396/176
4,316,658	*	2/1982	Bundschuh et al.	396/177
4,750,011	*	6/1988	Kajiura et al.	396/427

The tree and camera shown in phantom lines are to illustrate an environment only and form no part of the claimed design.

1 Claim, 4 Drawing Sheets



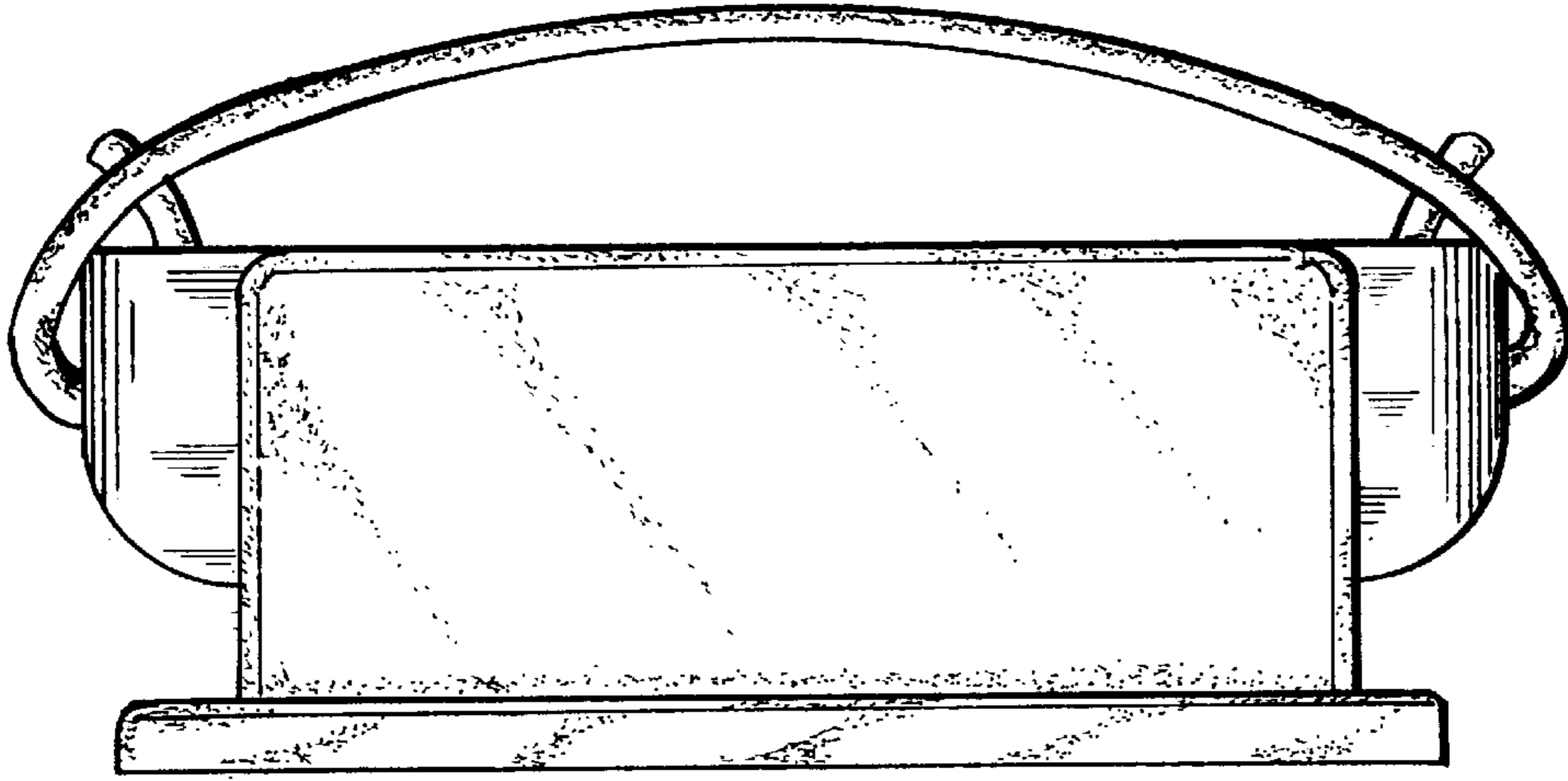


Fig. 6.

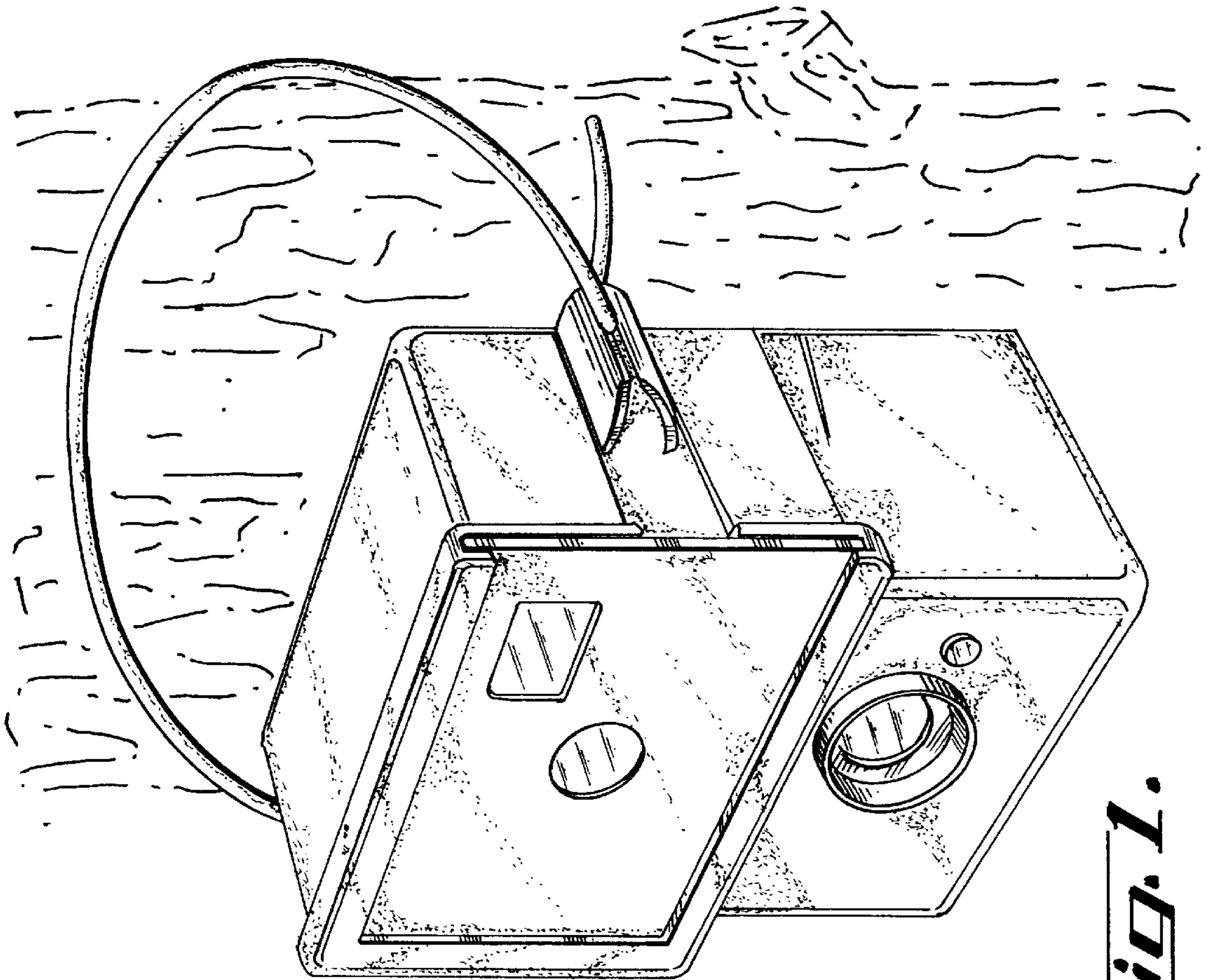


Fig. 1.

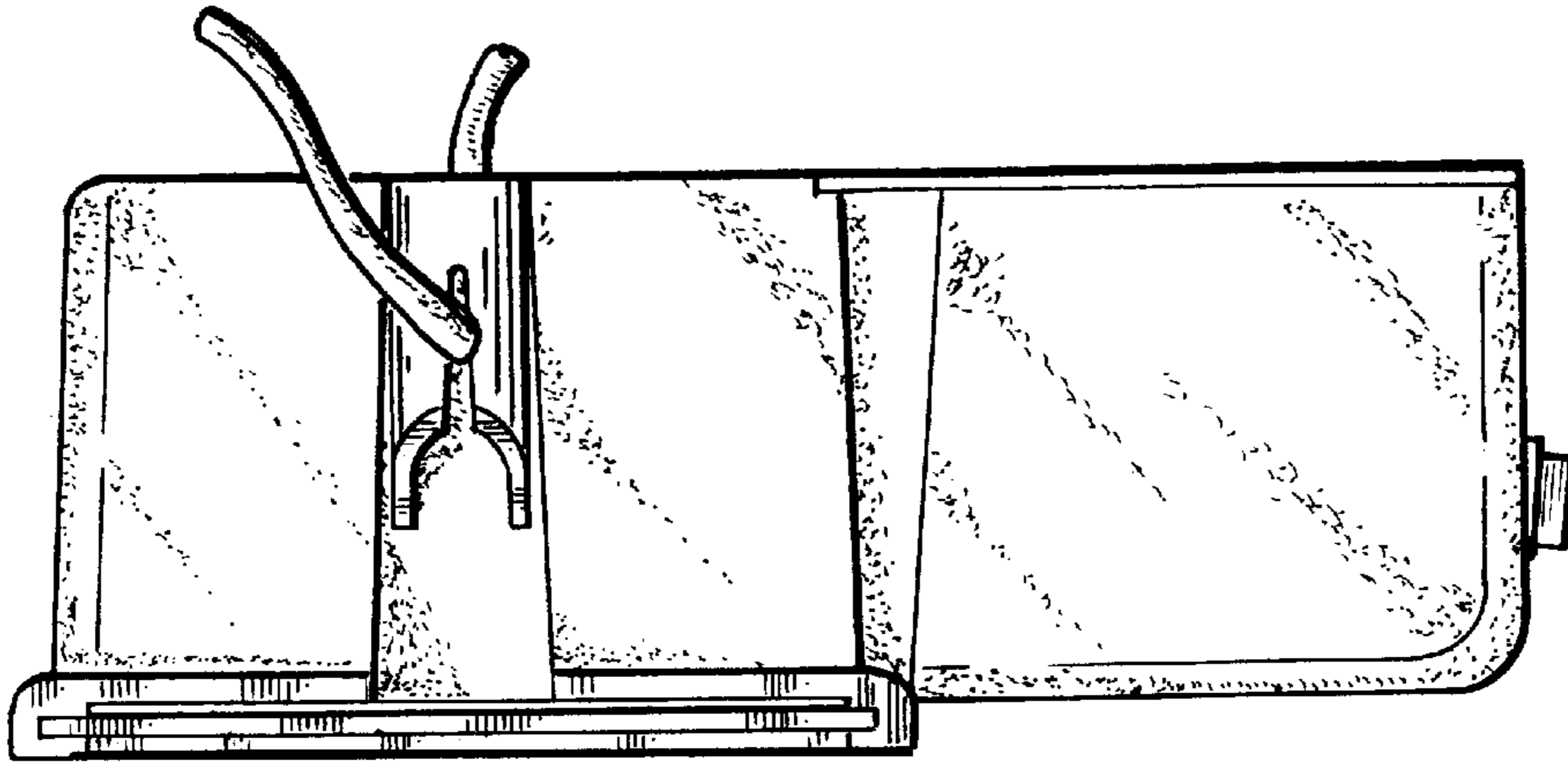


Fig. 3.

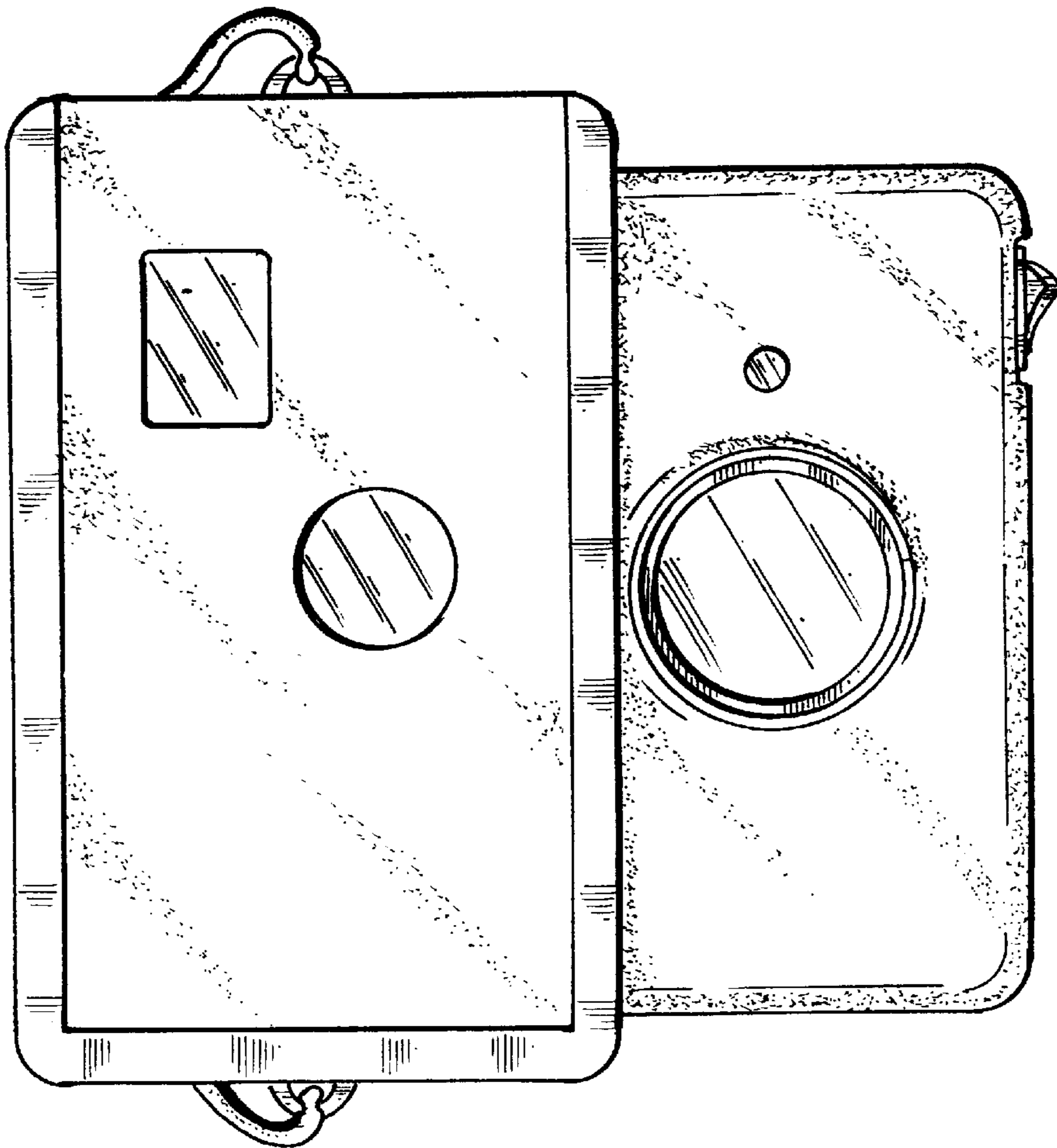


Fig. 4.

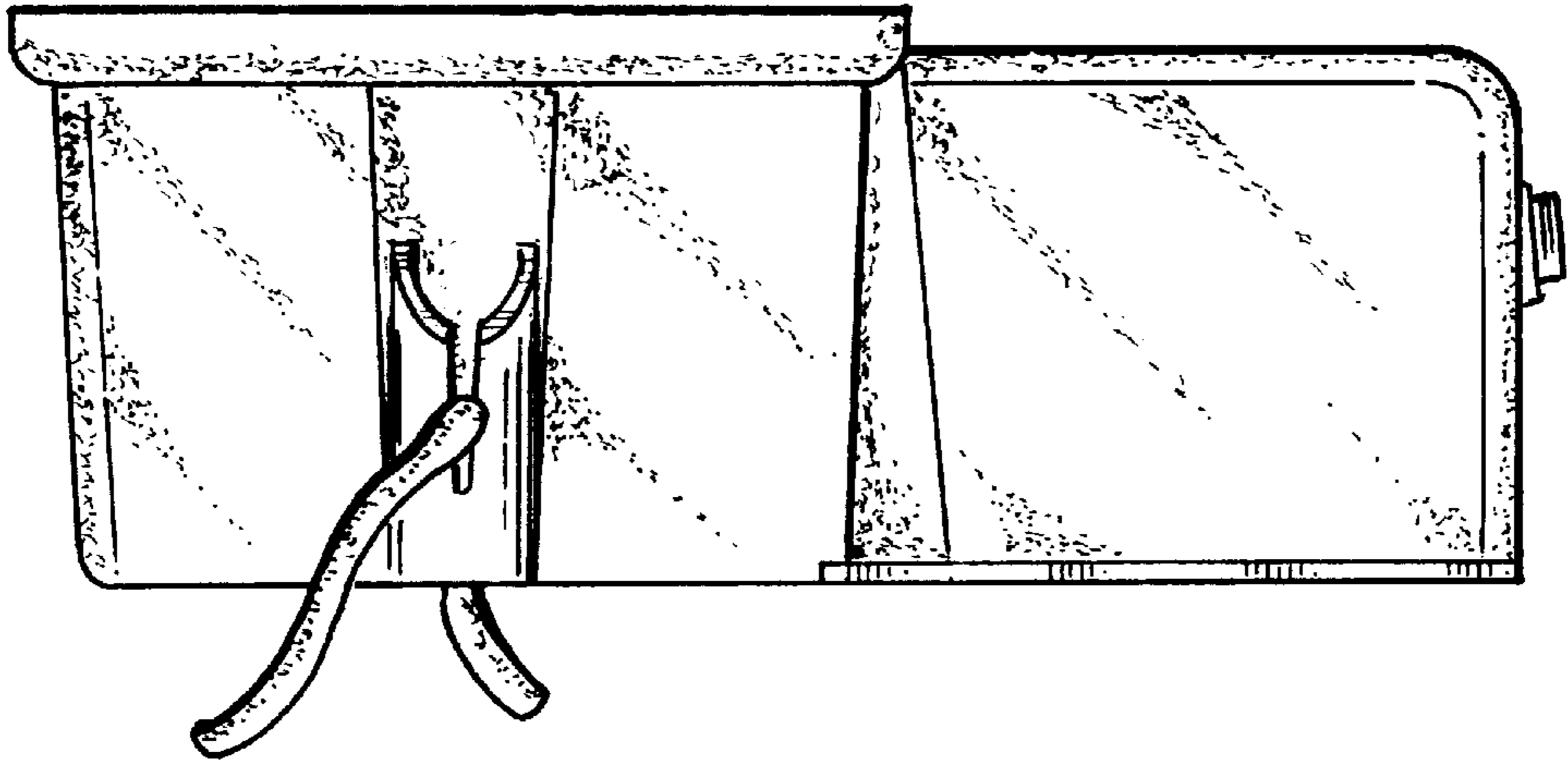


Fig. 5.

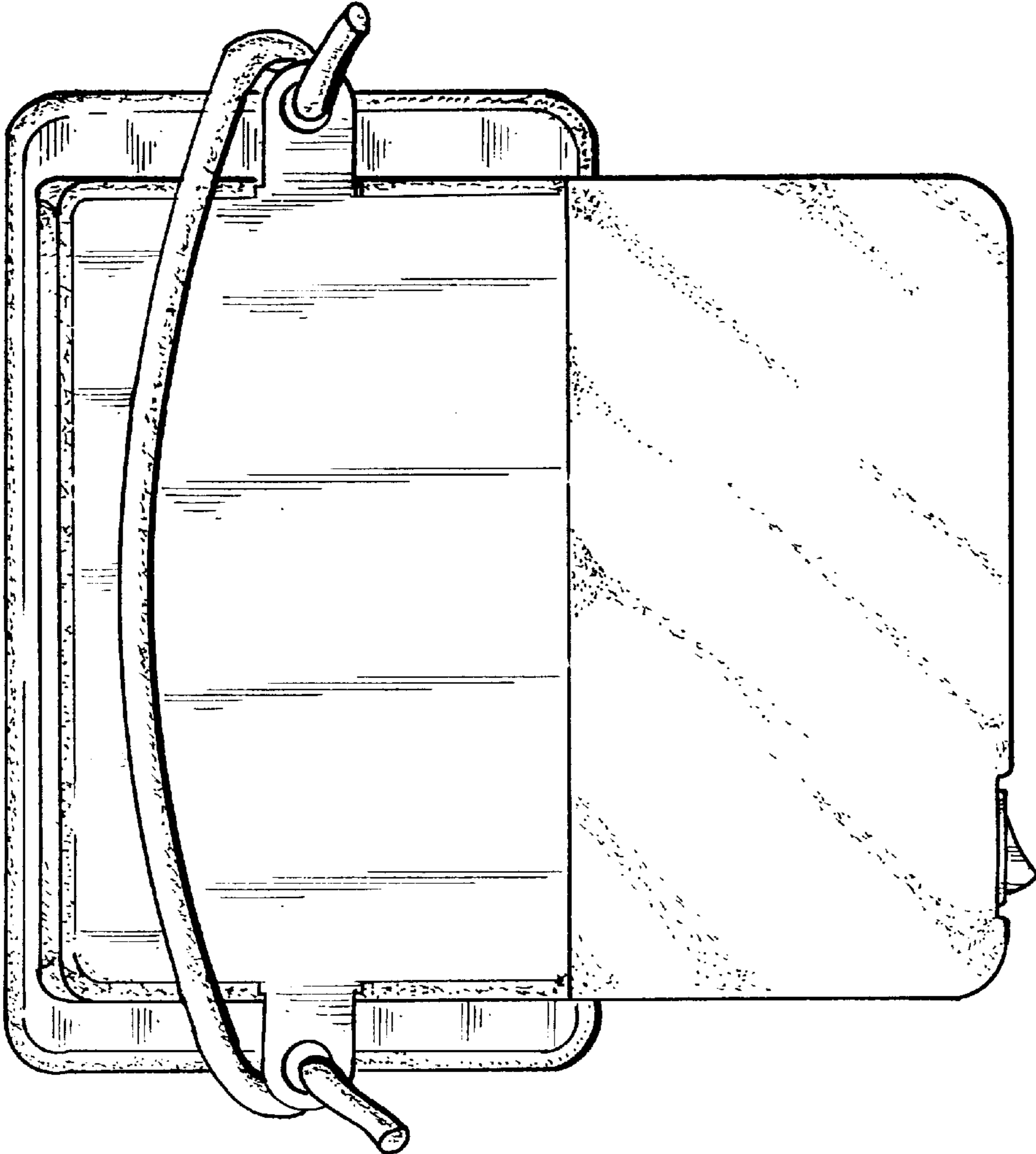


Fig. 4.

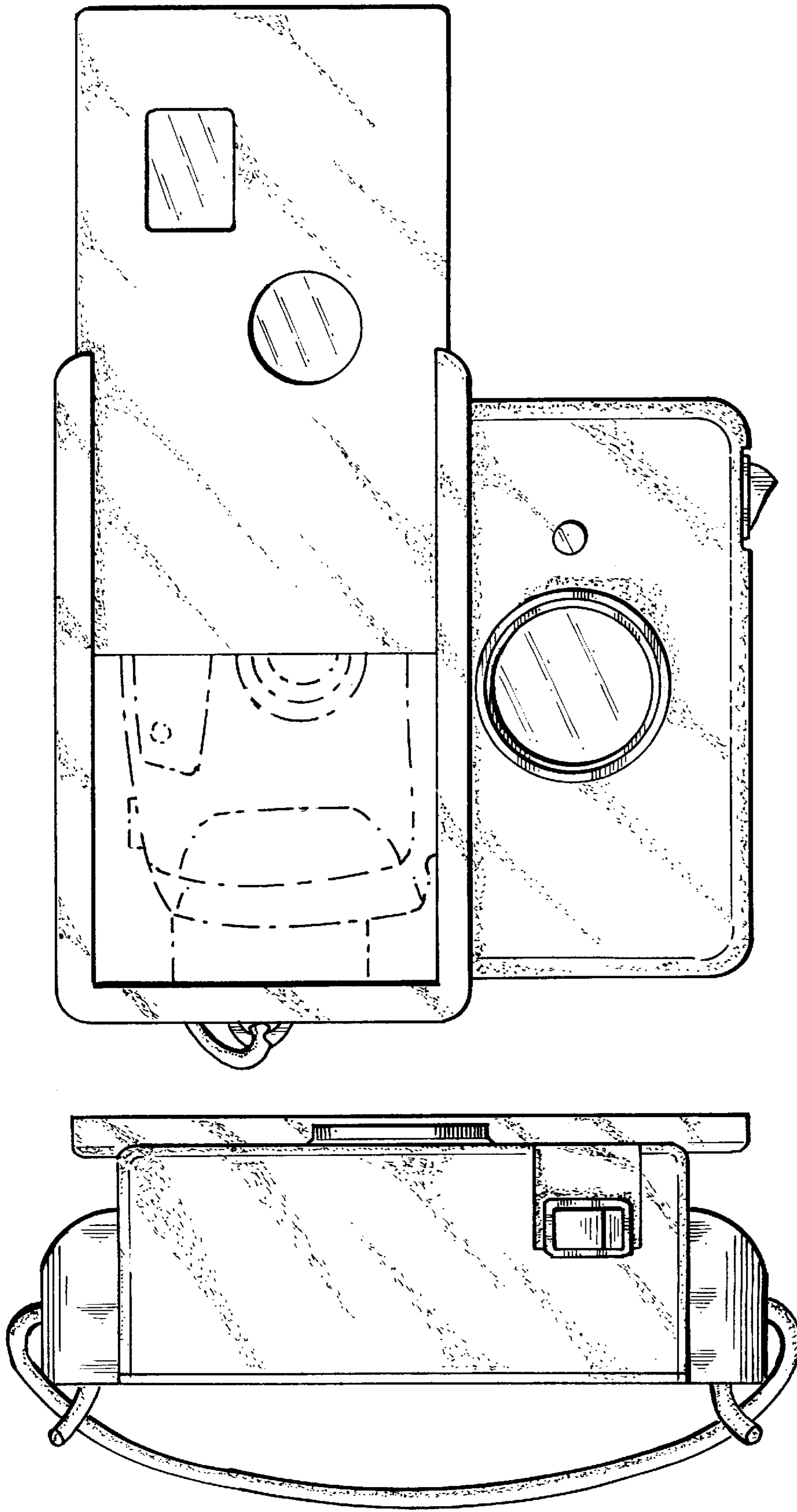


Fig. 8.

Fig. 7.