



US00D439586S

(12) **United States Design Patent**
Moehle et al.

(10) **Patent No.:** **US D439,586 S**

(45) **Date of Patent:** **** Mar. 27, 2001**

(54) **WORK VEHICLE BODY**

(75) Inventors: **Kenneth A. Moehle; Darrel J. Svendsen; John M. Zeni**, all of Racine, WI (US)

(73) Assignee: **Case Corporation**, Racine, WI (US)

(**) Term: **14 Years**

(21) Appl. No.: **29/107,599**

(22) Filed: **Jul. 8, 1999**

(51) **LOC (7) Cl.** **15-01**

(52) **U.S. Cl.** **D15/33; D15/23**

(58) **Field of Search** D15/10, 14-77, D15/22-26, 28, 30, 31; 180/89.1, 89.12, 89.13; 296/190.1, 190.8, 194, 195, 202

(56) **References Cited**

U.S. PATENT DOCUMENTS

- D. 225,521 * 12/1972 Lorenz et al. D15/23
- D. 236,527 * 8/1975 Rinaldi et al. D15/30
- D. 245,983 * 10/1977 Stone et al. D15/30
- D. 256,801 9/1980 Skyer et al. D15/33
- D. 297,142 * 8/1988 Funabashi et al. D15/30
- D. 297,329 * 8/1988 Monehaie et al. D15/30

- D. 355,423 2/1995 Woods et al. D15/23
- D. 384,358 * 9/1997 Smith D15/30
- D. 389,492 * 1/1998 Kokkinis D14/198
- D. 413,905 * 9/1999 Schmidt et al. D15/31
- 5,282,661 * 2/1994 Arnberger 180/89.12

* cited by examiner

Primary Examiner—Sandra L. Morris

(74) *Attorney, Agent, or Firm*—Foley & Lardner

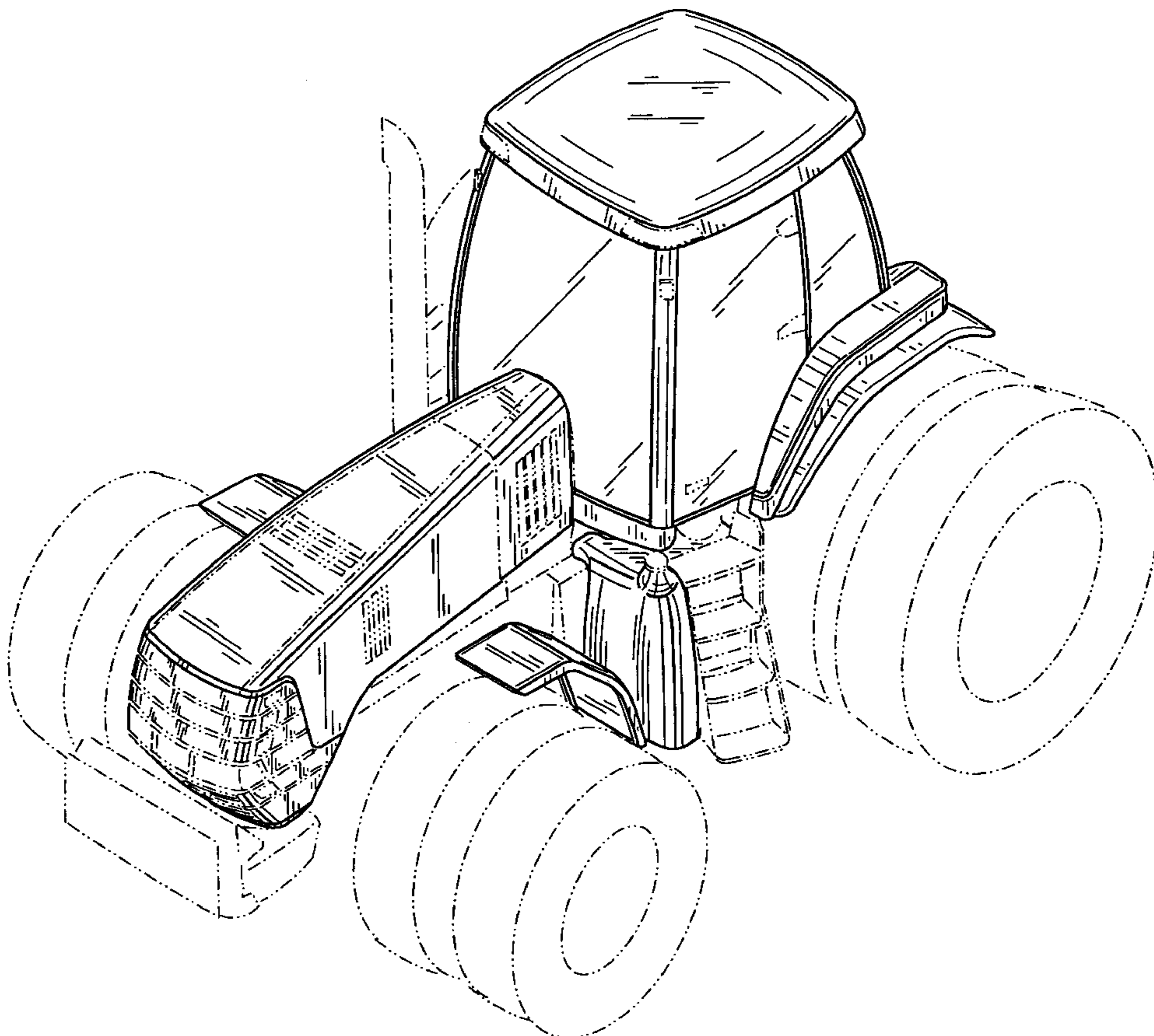
(57) **CLAIM**

The ornamental design for a work vehicle body, as shown and described.

DESCRIPTION

FIG. 1 is an elevated perspective view as seen from the left front of the work vehicle body embodying our new design; FIG. 2 is a left side elevation view of the work vehicle body; FIG. 3 is a rear elevation view of the work vehicle body; FIG. 4 is a right side elevation view of the work vehicle body; FIG. 5 is a front elevation view of the work vehicle body; and, FIG. 6 is a top plan view of the work vehicle body. The bottom view is plane and unadorned.

1 Claim, 6 Drawing Sheets



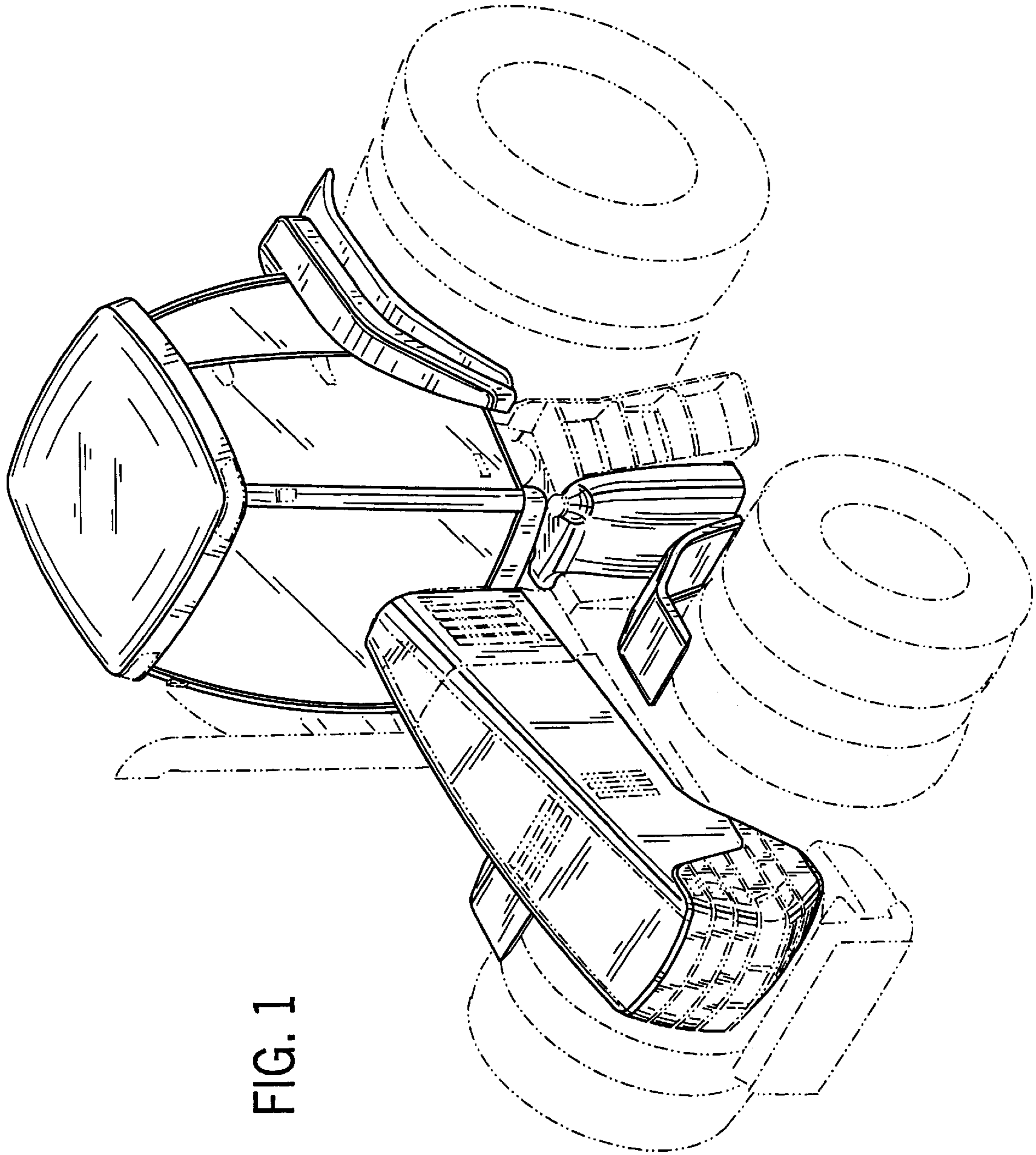


FIG. 1

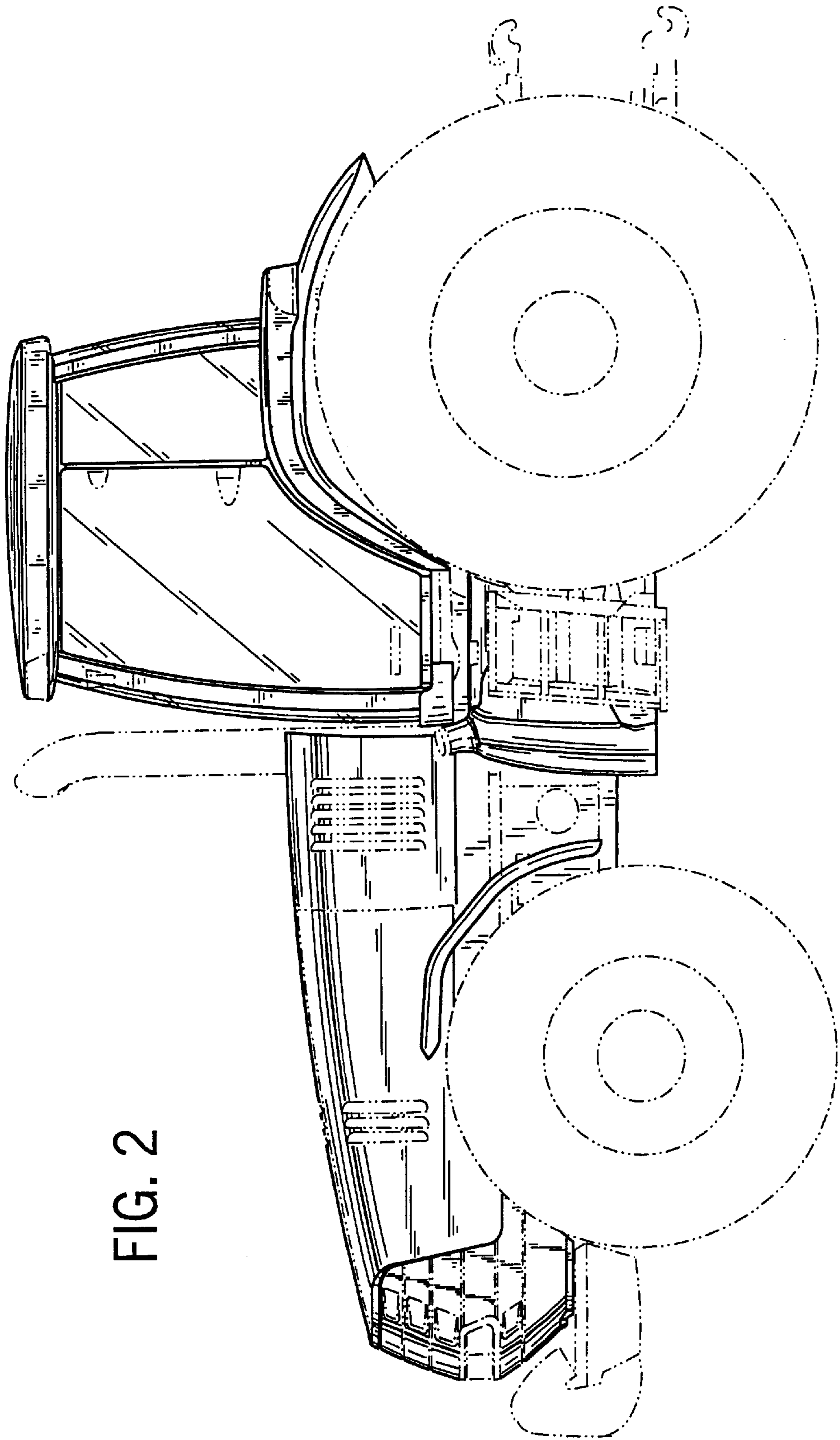
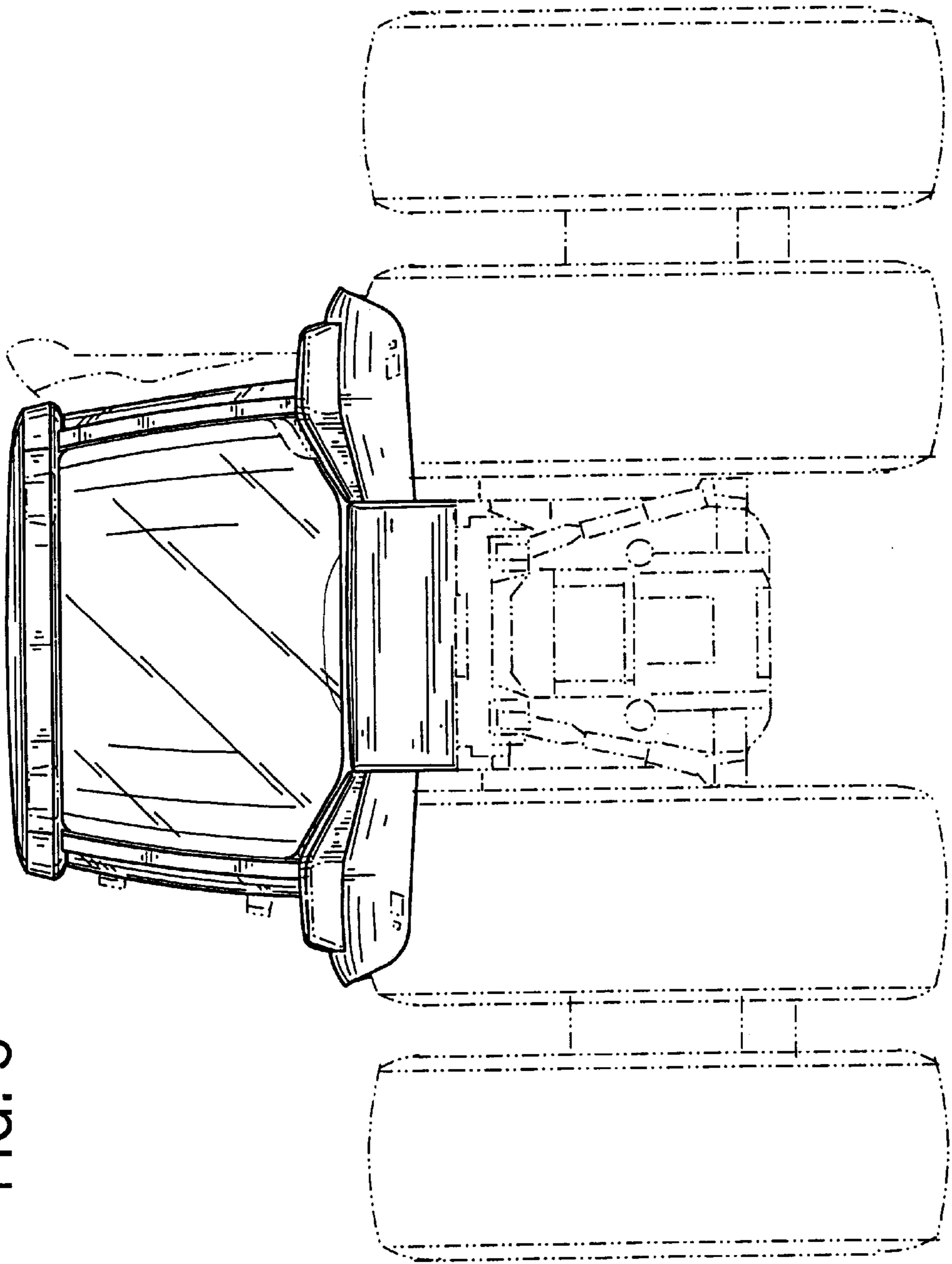


FIG. 2

FIG. 3



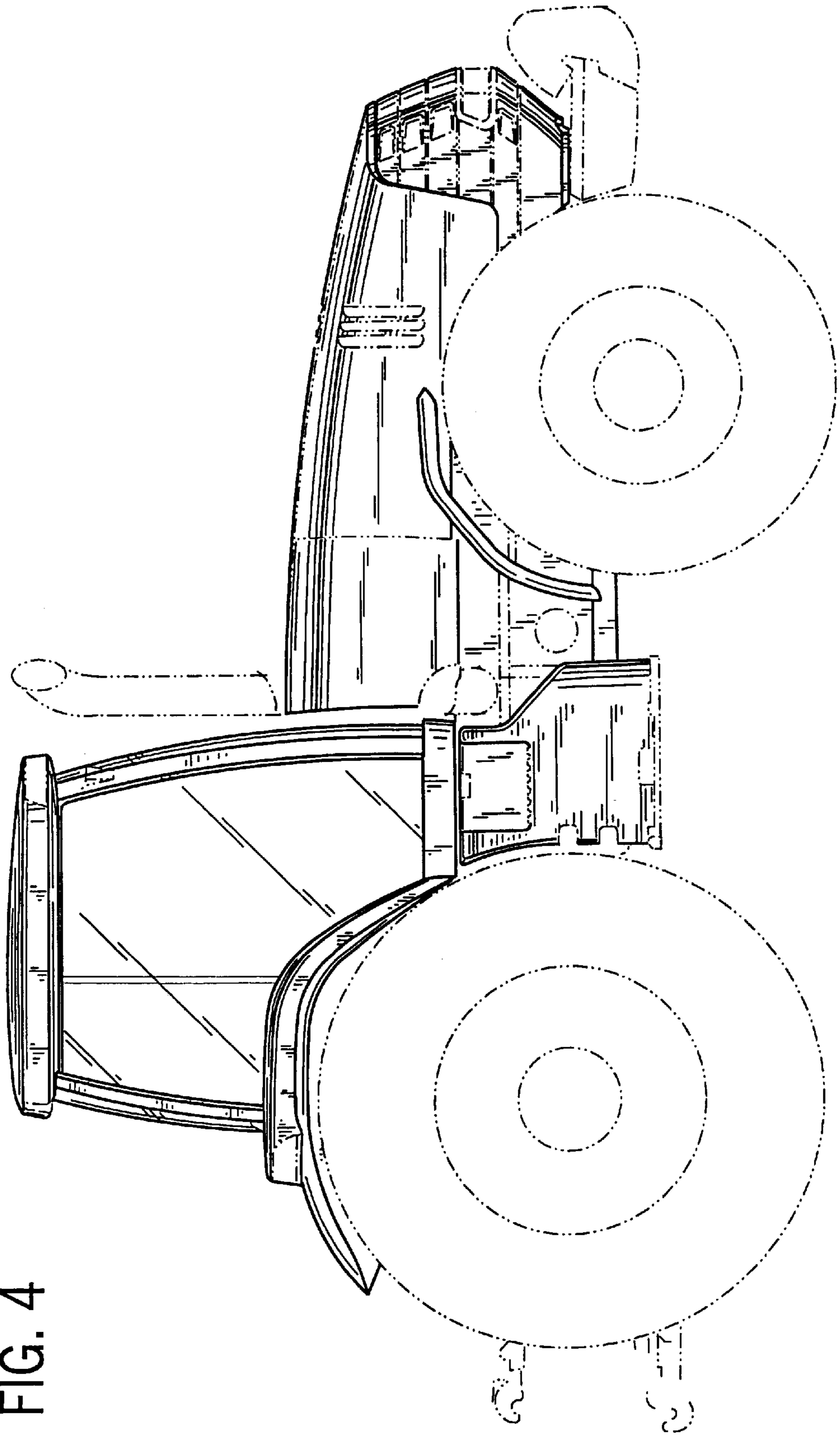


FIG. 4

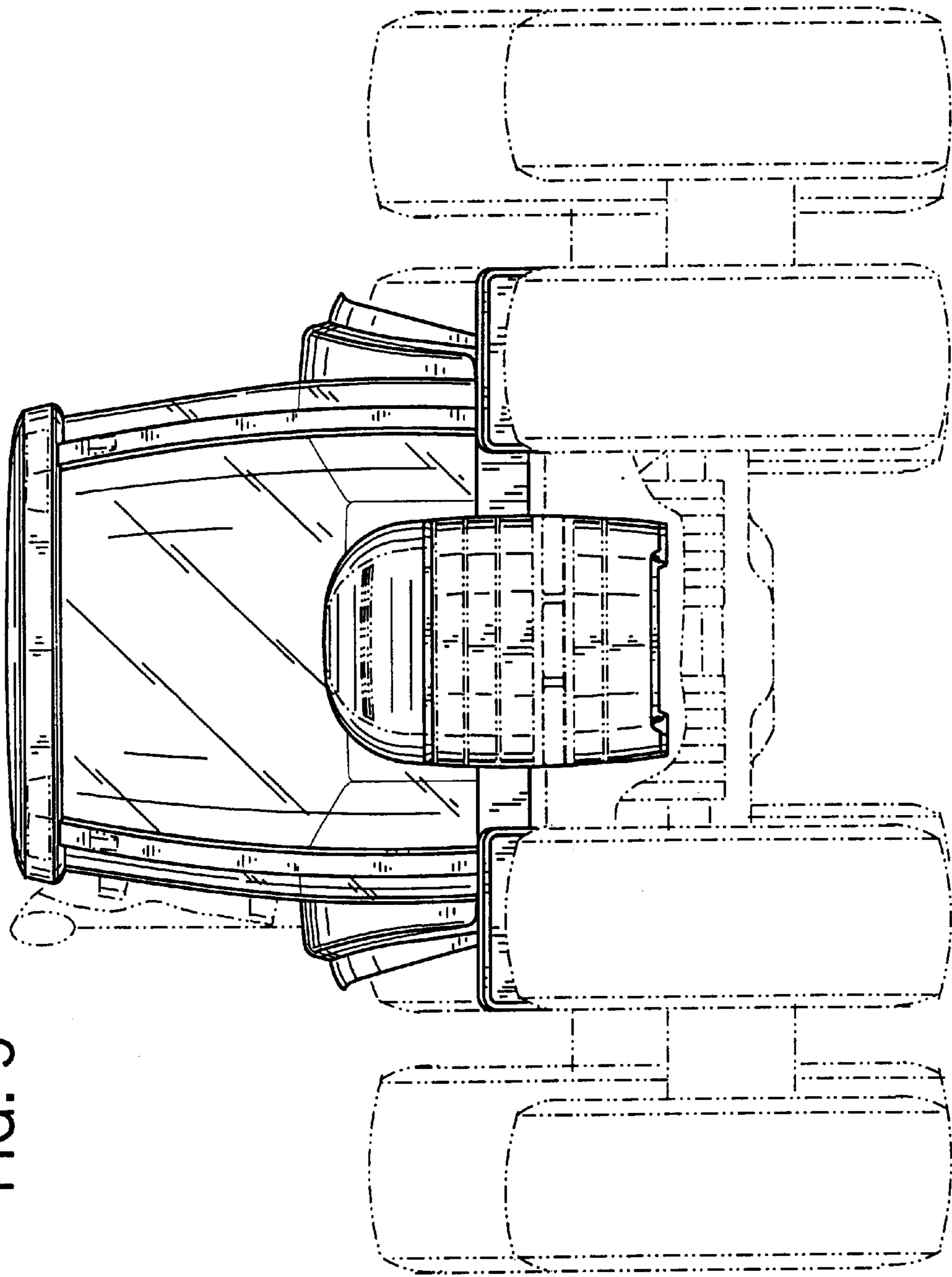


FIG. 5

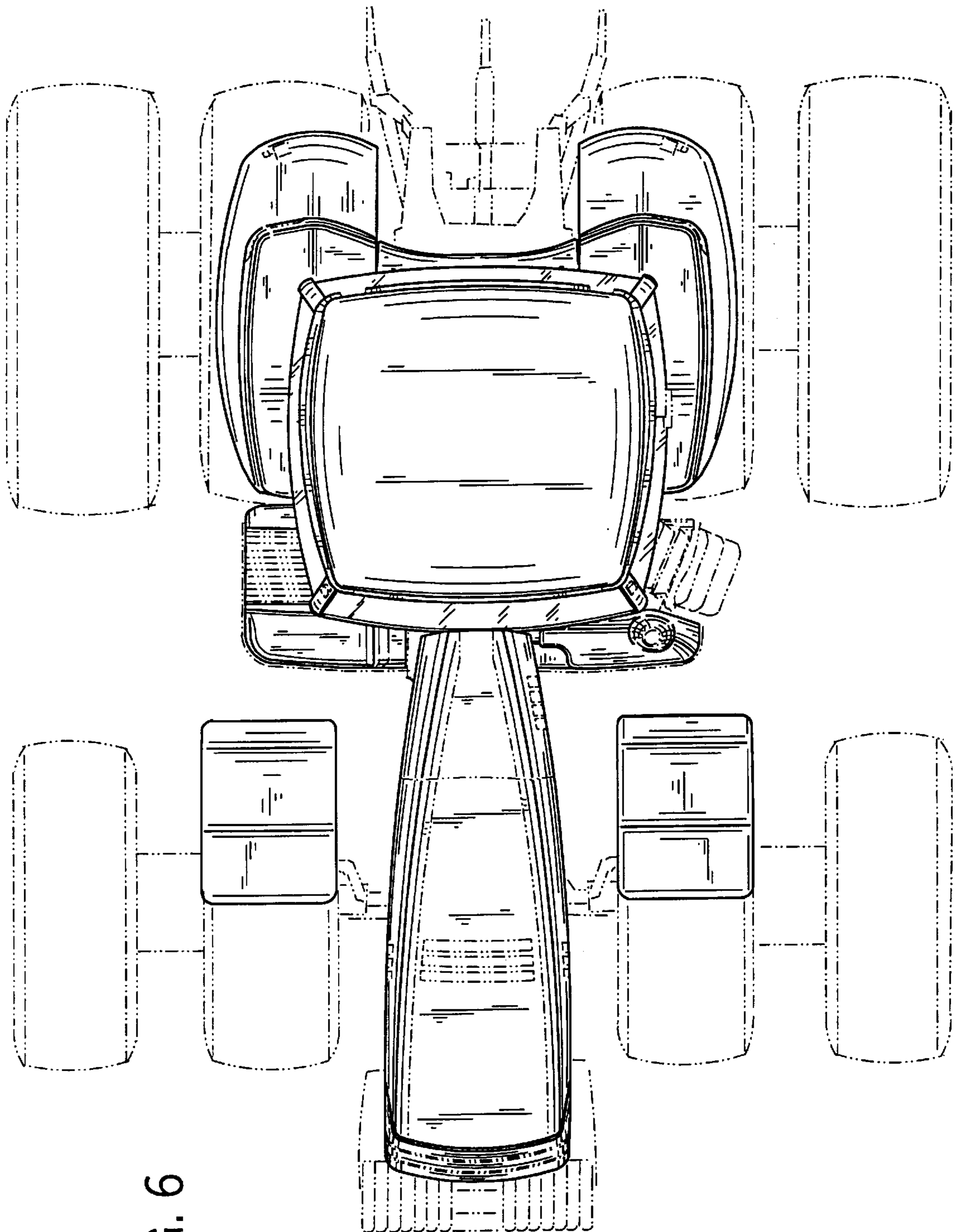


FIG. 6