



US00D439582S

(12) **United States Design Patent**  
**Jensen et al.**

(10) **Patent No.:** **US D439,582 S**

(45) **Date of Patent:** **\*\* Mar. 27, 2001**

(54) **COMPUTER FACEPLATE**

(75) Inventors: **Craig J. Jensen; Curtis R. Nelson,**  
both of Cedar Rapids, IA (US);  
**Norman Boulard,** Louisville, KY (US)

(73) Assignee: **Crystal Group INC,** Hiawatha, IA  
(US)

(\*\*) Term: **14 Years**

(21) Appl. No.: **29/125,402**

(22) Filed: **Jun. 23, 2000**

(51) **LOC (7) Cl.** ..... **14-02**

(52) **U.S. Cl.** ..... **D14/445**

(58) **Field of Search** ..... D14/441-446,  
D14/257, 258; D13/162, 184, 164, 177,  
199; 312/223.2; 361/680-686

(56) **References Cited**

**U.S. PATENT DOCUMENTS**

- D. 315,149 \* 3/1991 Welch ..... D14/446
- D. 337,576 \* 7/1993 Sharp ..... D14/446
- D. 381,327 \* 7/1997 Su ..... D14/444

\* cited by examiner

*Primary Examiner*—Freda Nunn

(74) *Attorney, Agent, or Firm*—Simmons, Perrine, Albright  
& Ellwood, PLC

(57) **CLAIM**

We claim the ornamental design for a computer faceplates,  
substantially as shown and described.

**DESCRIPTION**

FIG. 1 is a perspective view of a computer faceplate of the present innovative design, the handle being stowed therein; FIG. 2 is a front elevation view thereof; FIG. 3 is a right side elevation view, the left side elevation view being a mirror image thereof; FIG. 4 is a top plan view thereof; FIG. 5 is a bottom plan view thereof; FIG. 6 is a perspective view thereof, with the handle being deployed outwardly; FIG. 7 is a right side elevation view thereof, the left side elevation view being a mirror image thereof; FIG. 8 is a top plan view thereof; and, FIG. 9 is a bottom plan view thereof.

The broken lines showing a computer case for illustrative purposes only form no part of the claimed design.

**1 Claim, 3 Drawing Sheets**

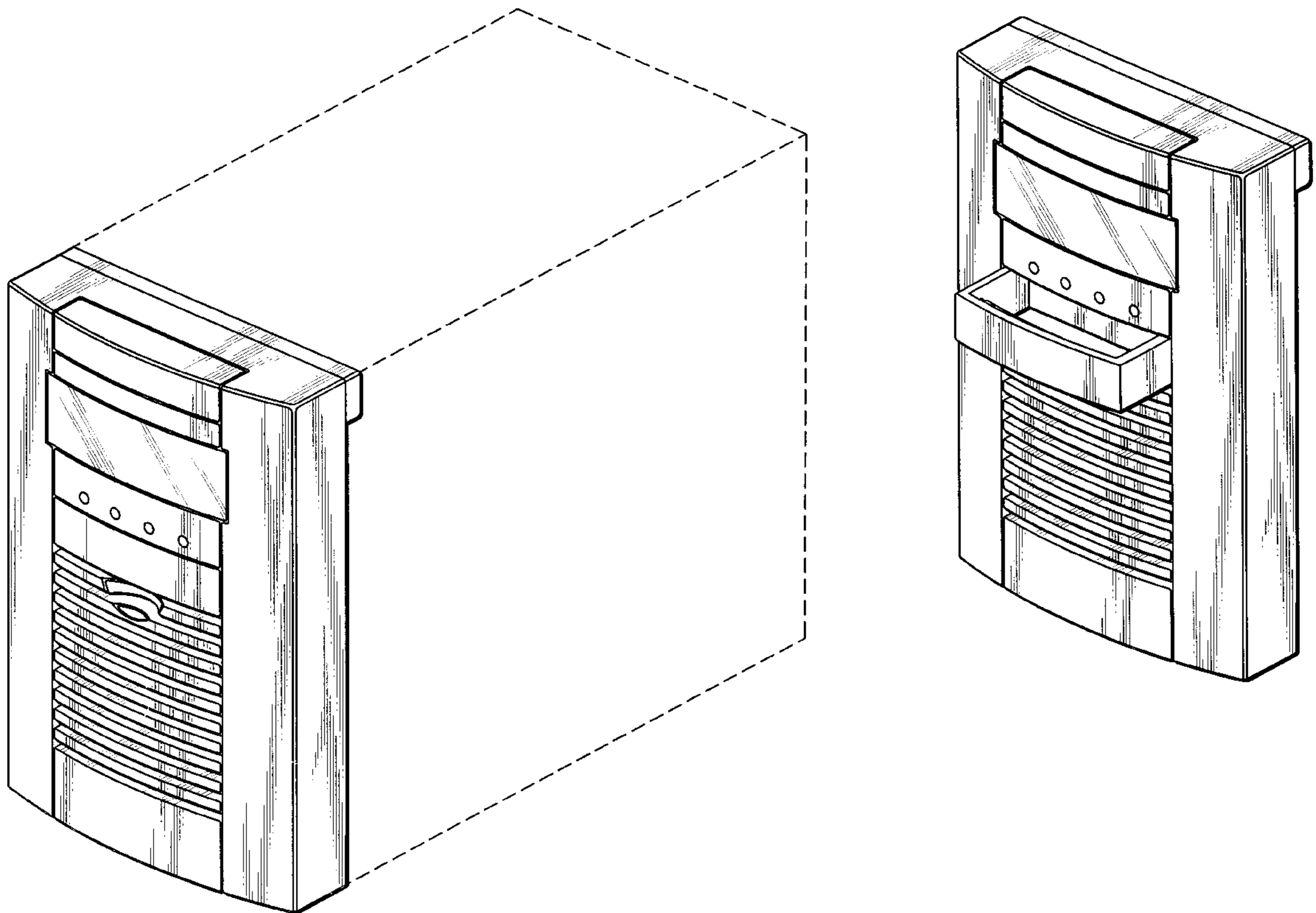


Fig. 2

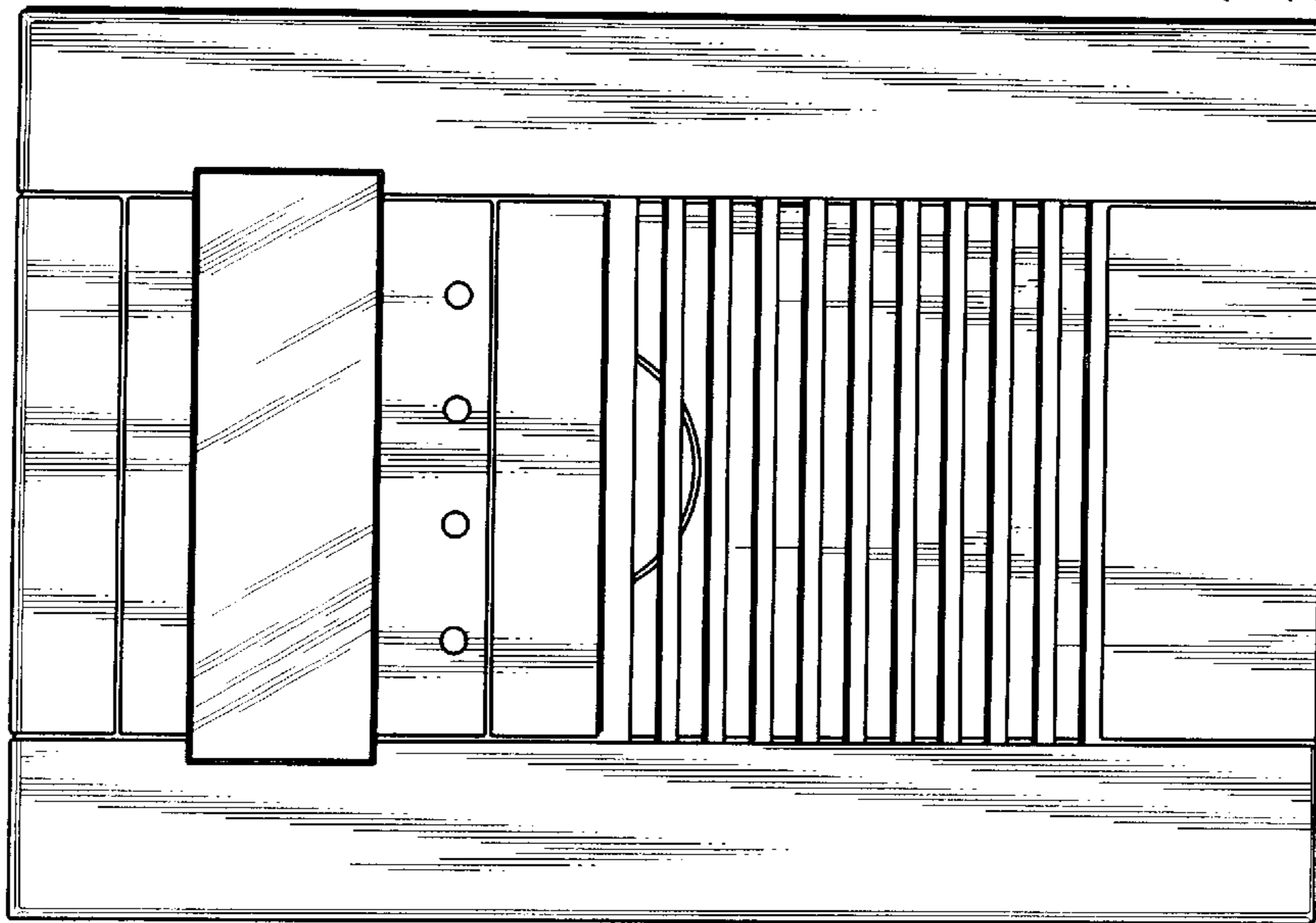
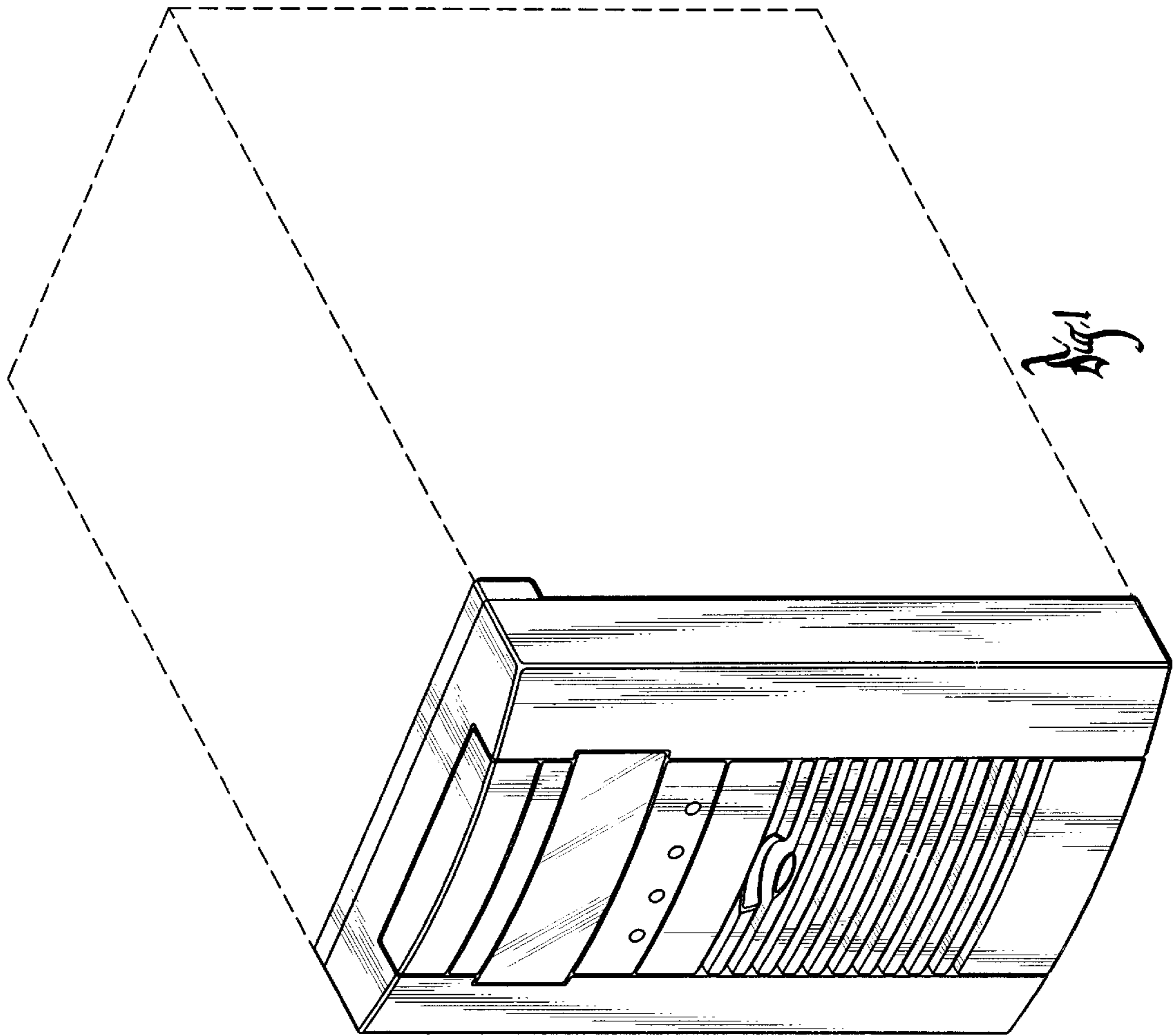
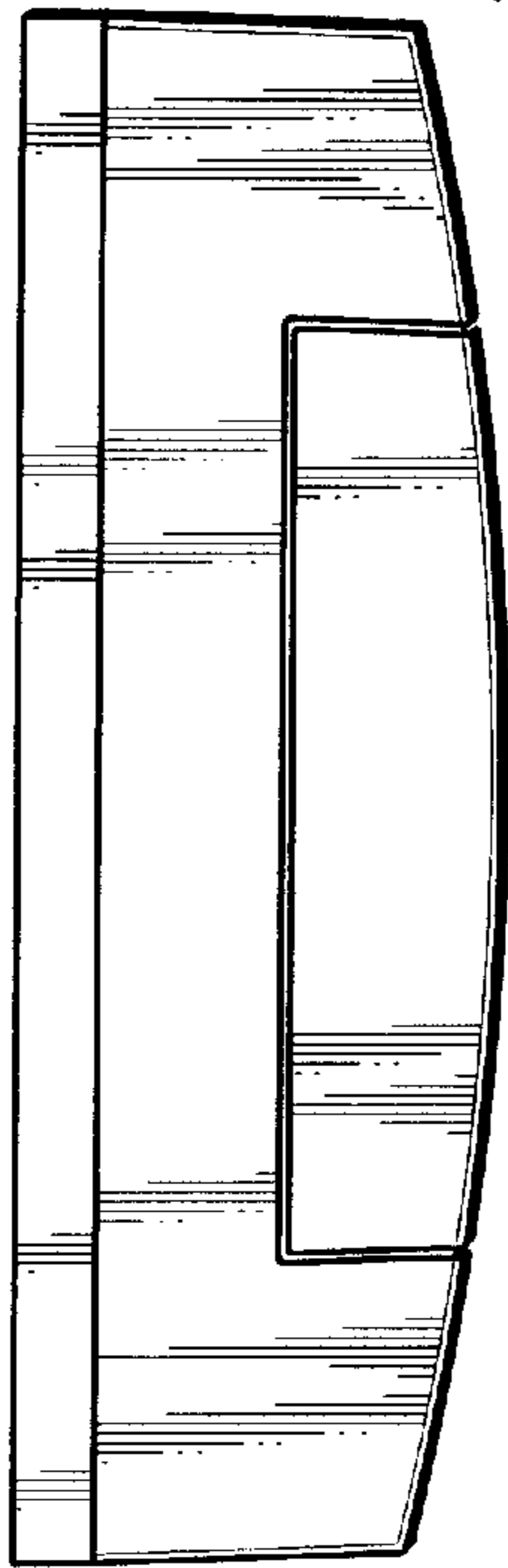


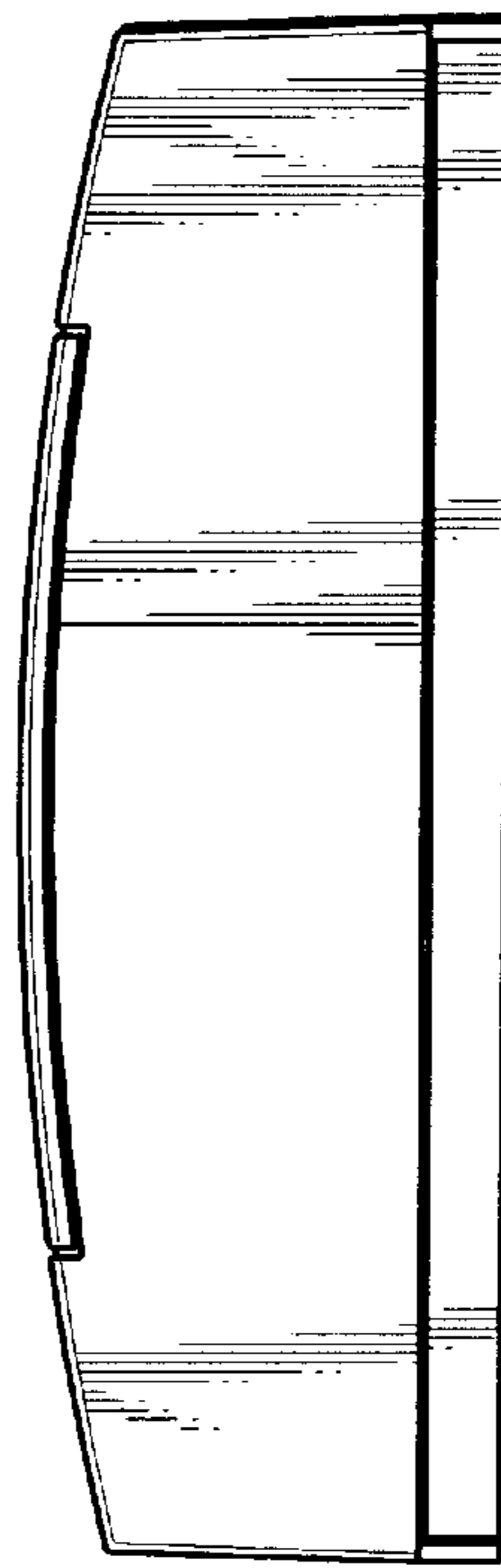
Fig. 1



*Fig. 4*



*Fig. 5*



*Fig. 3*

