



US00D439570S

(12) **United States Design Patent**  
**Tsao et al.**

(10) **Patent No.:** **US D439,570 S**

(45) **Date of Patent:** **\*\* Mar. 27, 2001**

(54) **TELEVISION**

5,929,945 \* 7/1999 Negishi et al. .... 348/825

(75) Inventors: **Jimmy Tsao; Jonny Chen**, both of  
Hsinchu (TW)

(73) Assignee: **CTX Opto-Electronics Corp.** (TW)

(\*\*) Term: **14 Years**

(21) Appl. No.: **29/117,445**

(22) Filed: **Jan. 24, 2000**

(51) **LOC (7) Cl.** ..... **14-03**

(52) **U.S. Cl.** ..... **D14/133; D14/128**

(58) **Field of Search** ..... D14/125-129,  
D14/131-134, 371, 374-382; 312/7.2; 348/836,  
838, 744, 787, 789, 825

(56) **References Cited**

**U.S. PATENT DOCUMENTS**

- D. 307,007 \* 4/1990 Umeno et al. .... D14/133
- D. 345,968 \* 4/1994 Bruce et al. .... D14/371
- D. 360,204 \* 7/1995 Asanuma et al. .... D14/129
- D. 384,659 \* 10/1997 Suzuki ..... D14/126
- D. 394,057 \* 5/1998 Bougerie ..... D14/128
- D. 419,538 \* 1/2000 Matsuoka et al. .... D14/376
- 5,742,358 \* 4/1998 Iijima et al. .... 348/789
- 5,808,704 \* 9/1998 Yoshikawa et al. .... 348/789 X

**OTHER PUBLICATIONS**

American Express Holiday 1995, p. 44: projection TV on upper left.\*

\* cited by examiner

*Primary Examiner*—Catherine Tuttle

(74) *Attorney, Agent, or Firm*—Hickman Coleman & Hughes, LLP

(57) **CLAIM**

The ornamental design for a television, as shown and described.

**DESCRIPTION**

FIG. 1 is a front perspective view of a television that shows our new design;

FIG. 2 is a front elevational view thereof;

FIG. 3 is a rear elevational view thereof;

FIG. 4 is a left side view thereof;

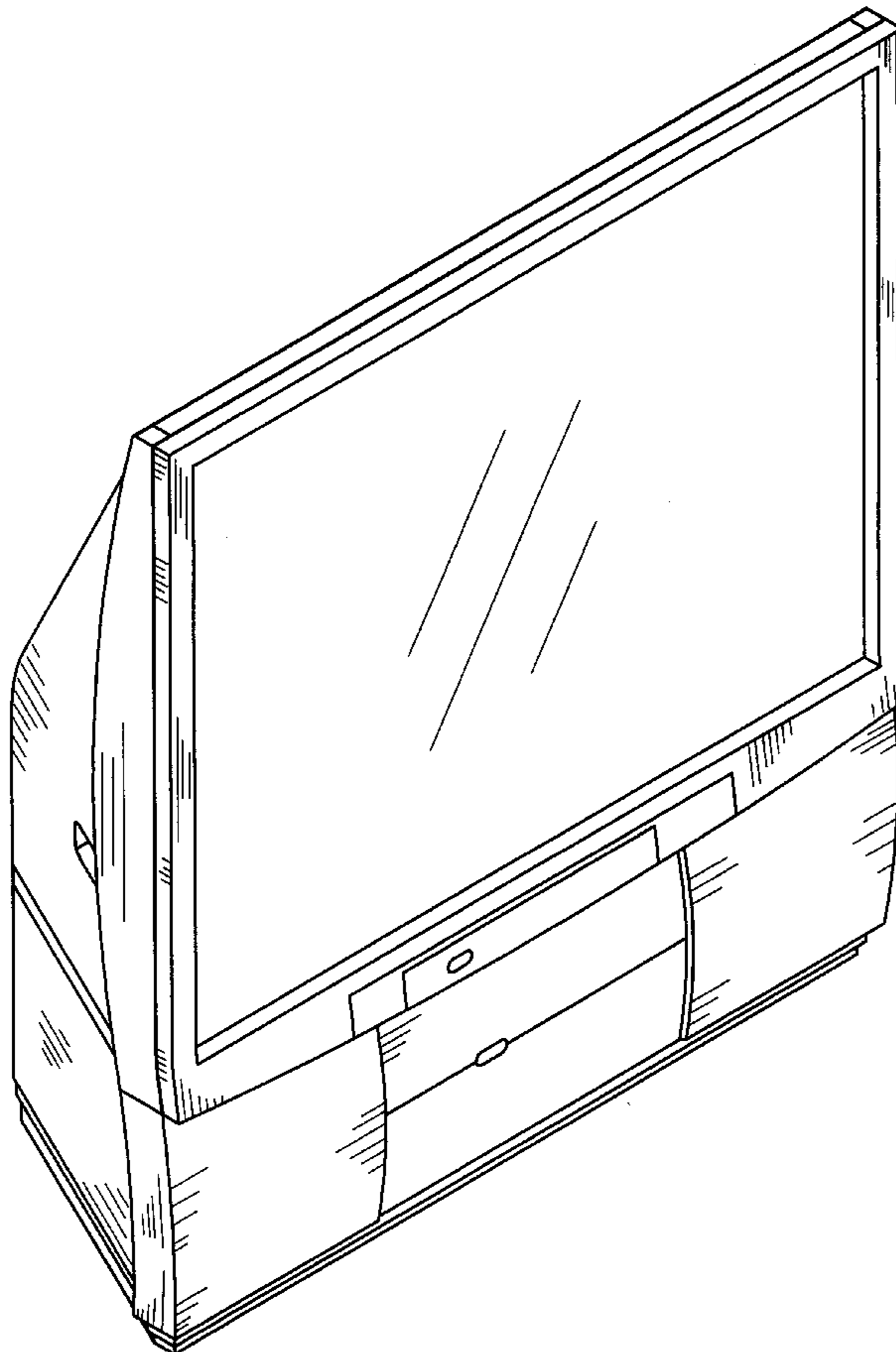
FIG. 5 is a right side view thereof;

FIG. 6 is a top plan view thereof;

FIG. 7 is a bottom plan view thereof; and,

FIG. 8 is a rear perspective view thereof.

**1 Claim, 7 Drawing Sheets**



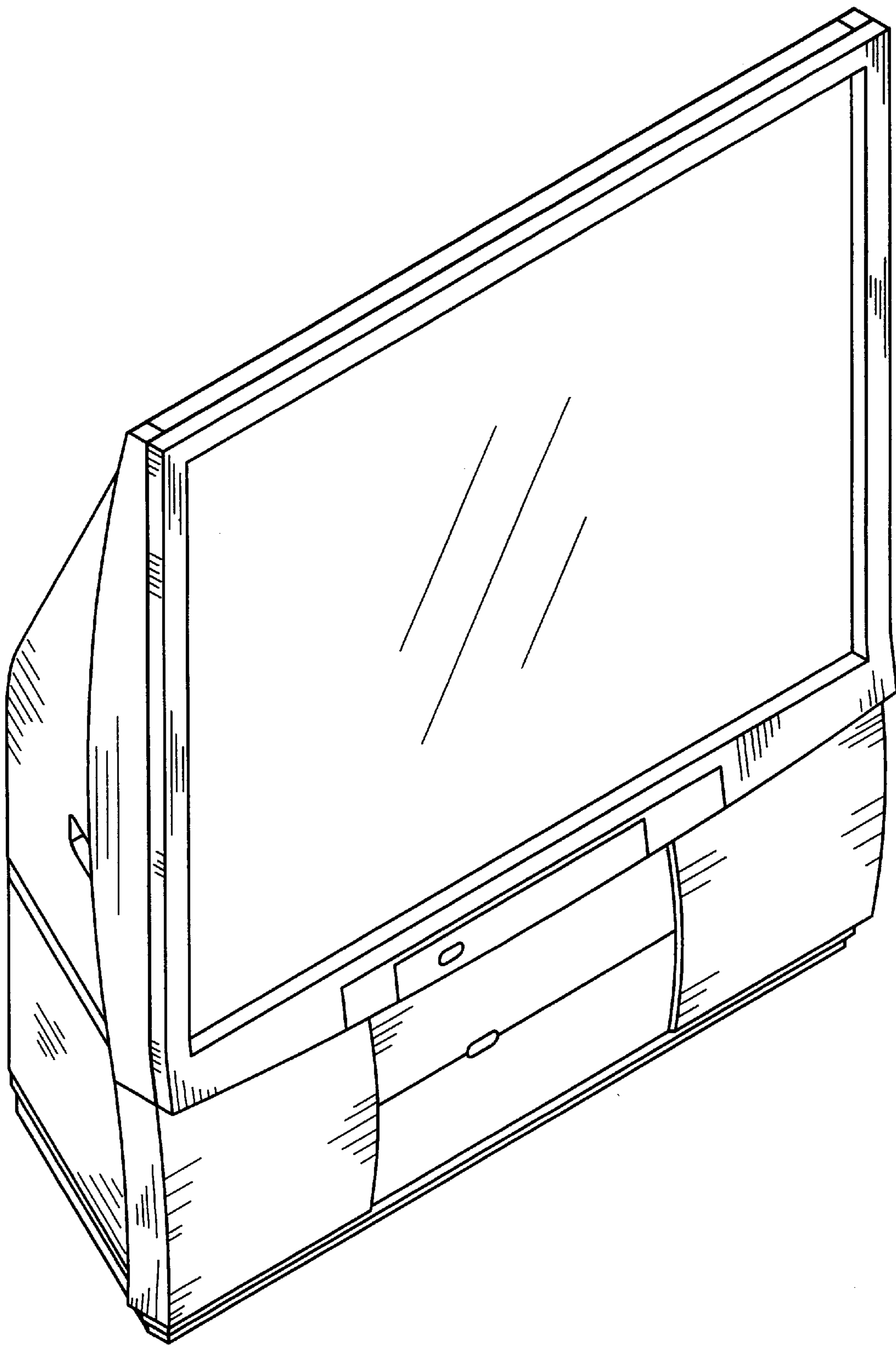


FIG. 1

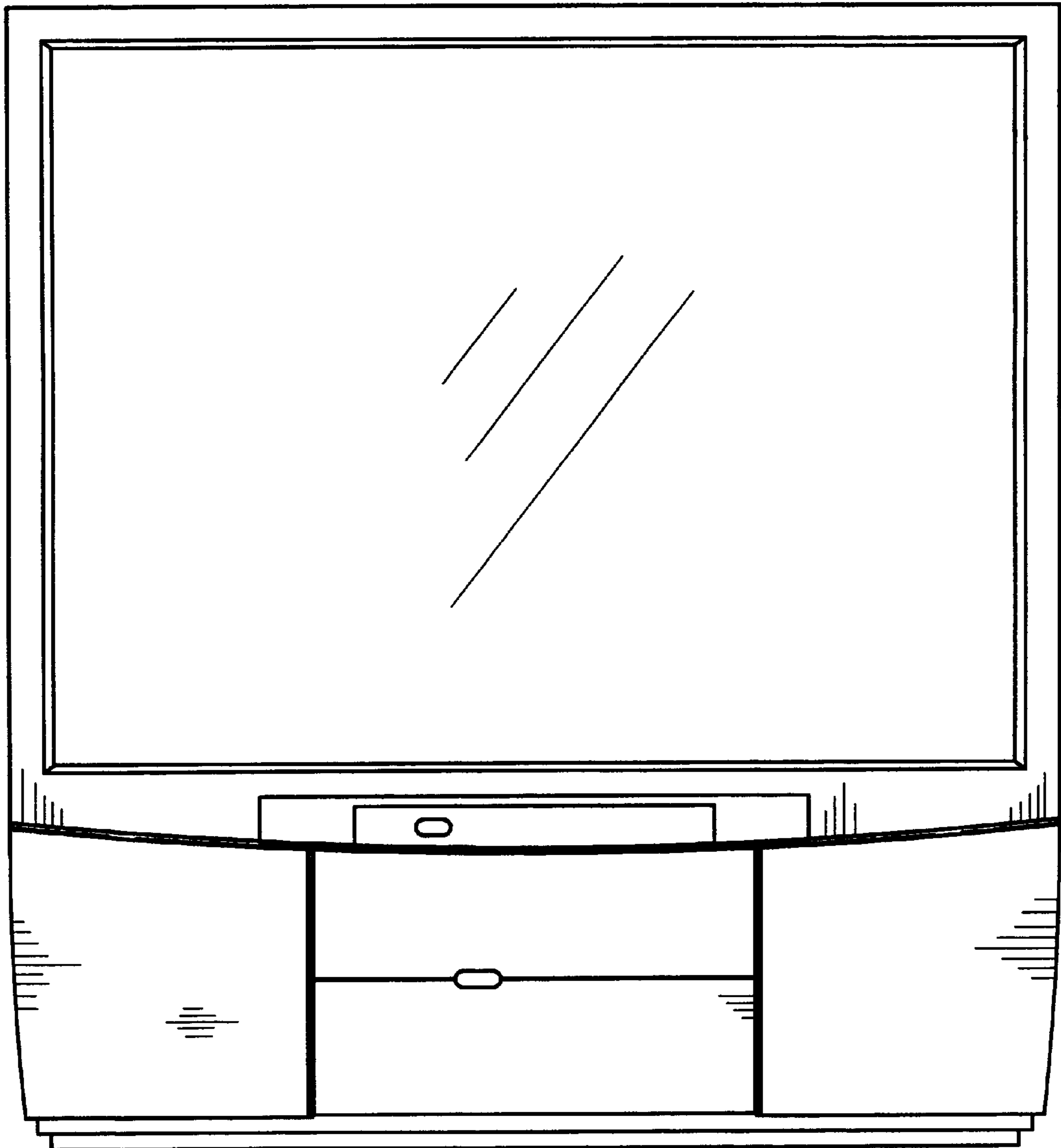


FIG. 2

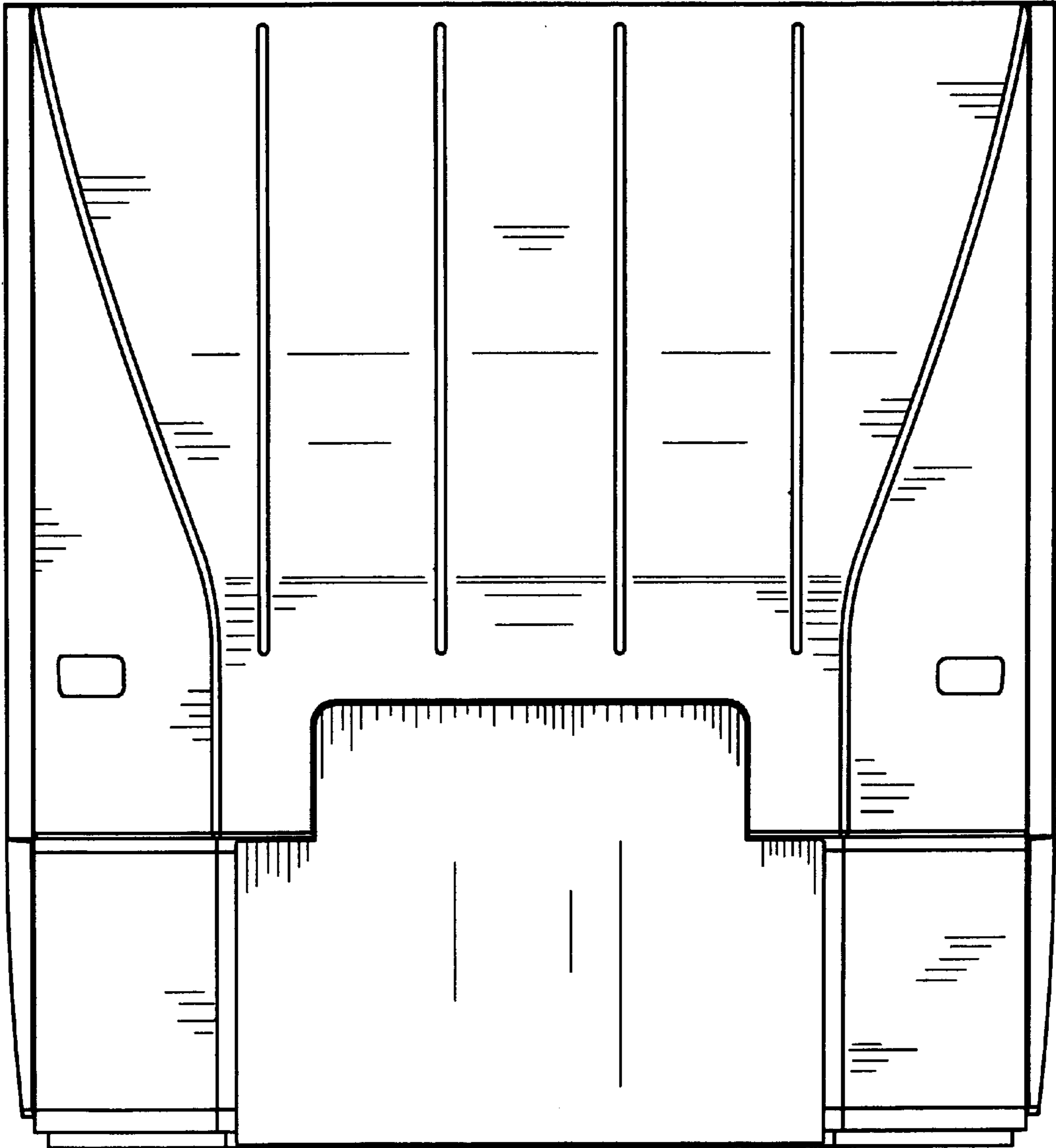


FIG. 3

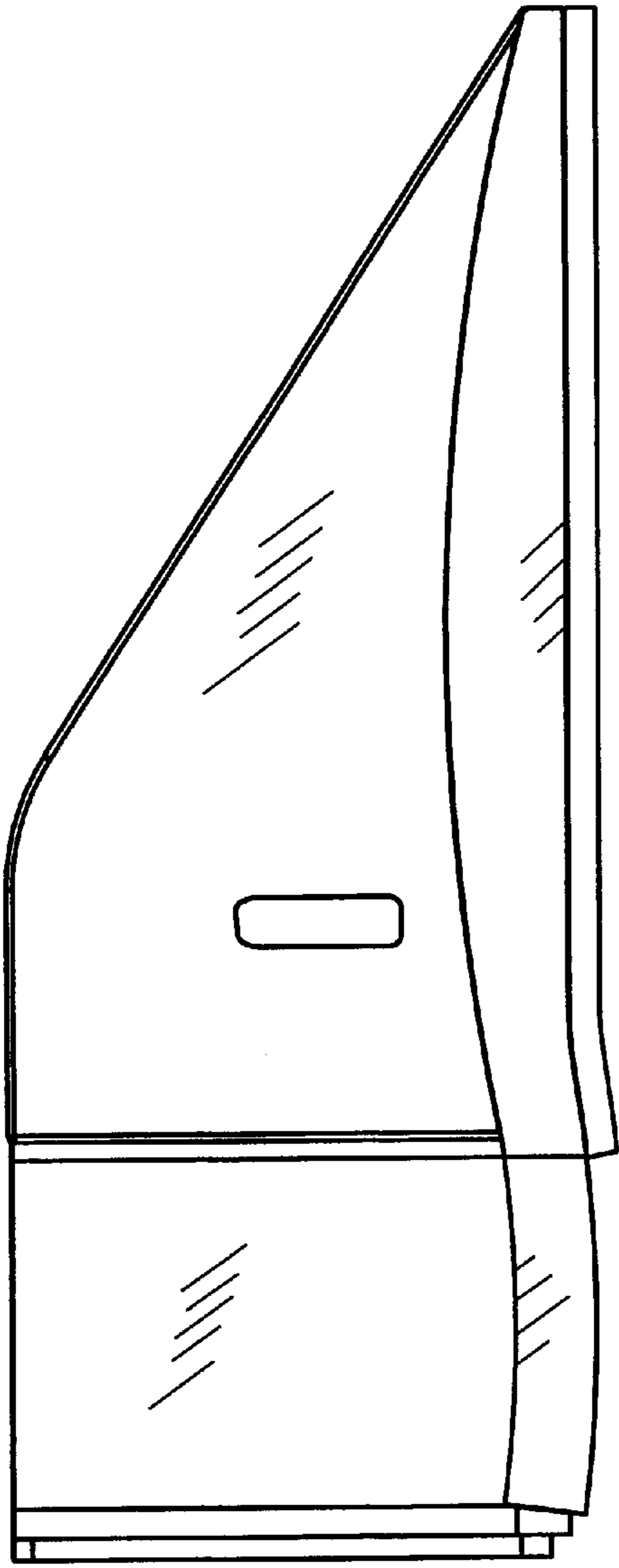


FIG. 4

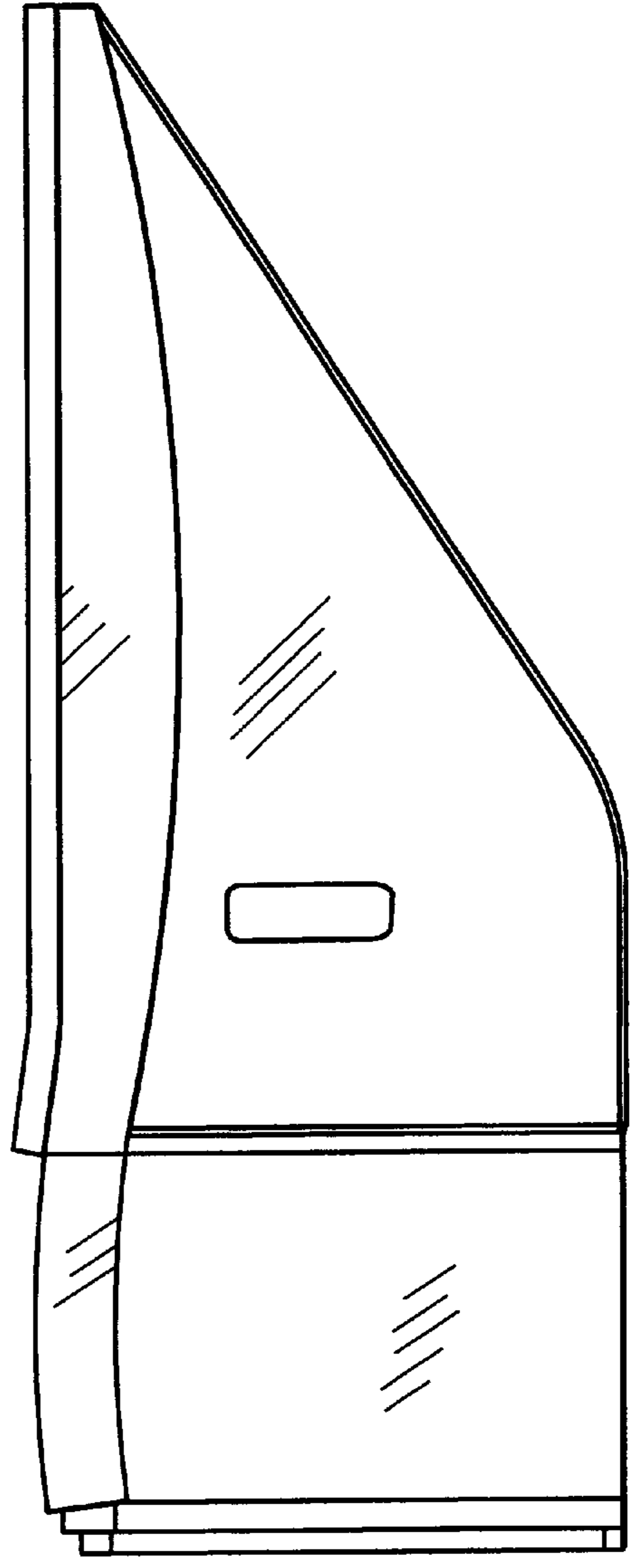


FIG. 5

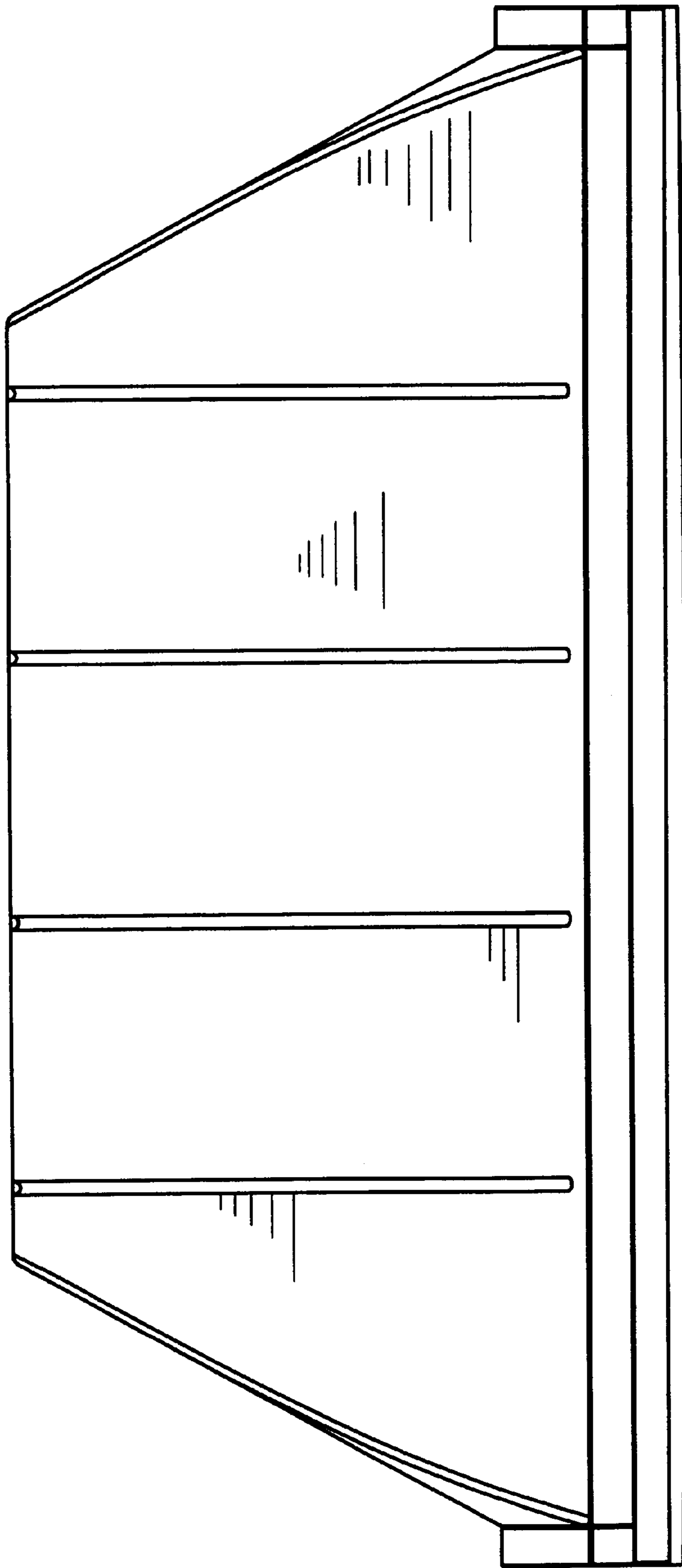


FIG. 6

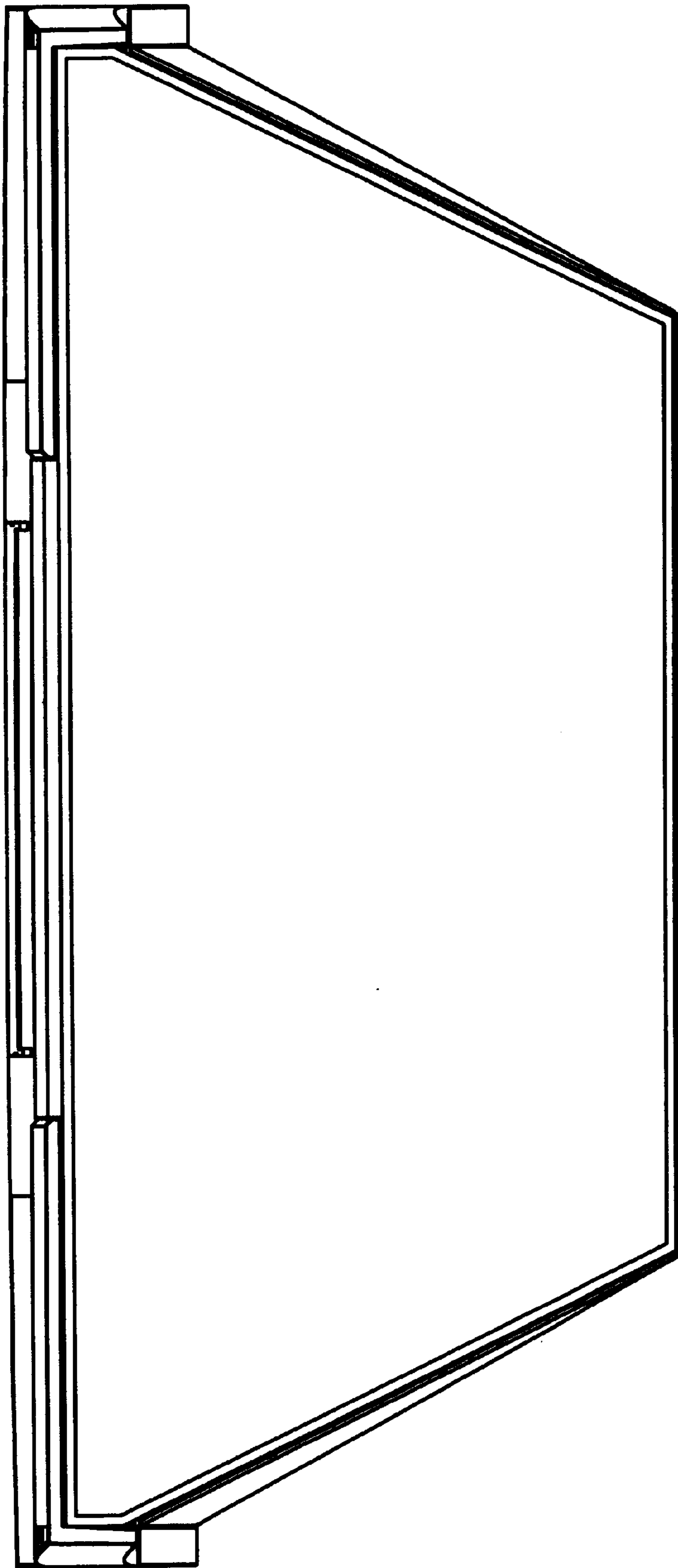


FIG. 7

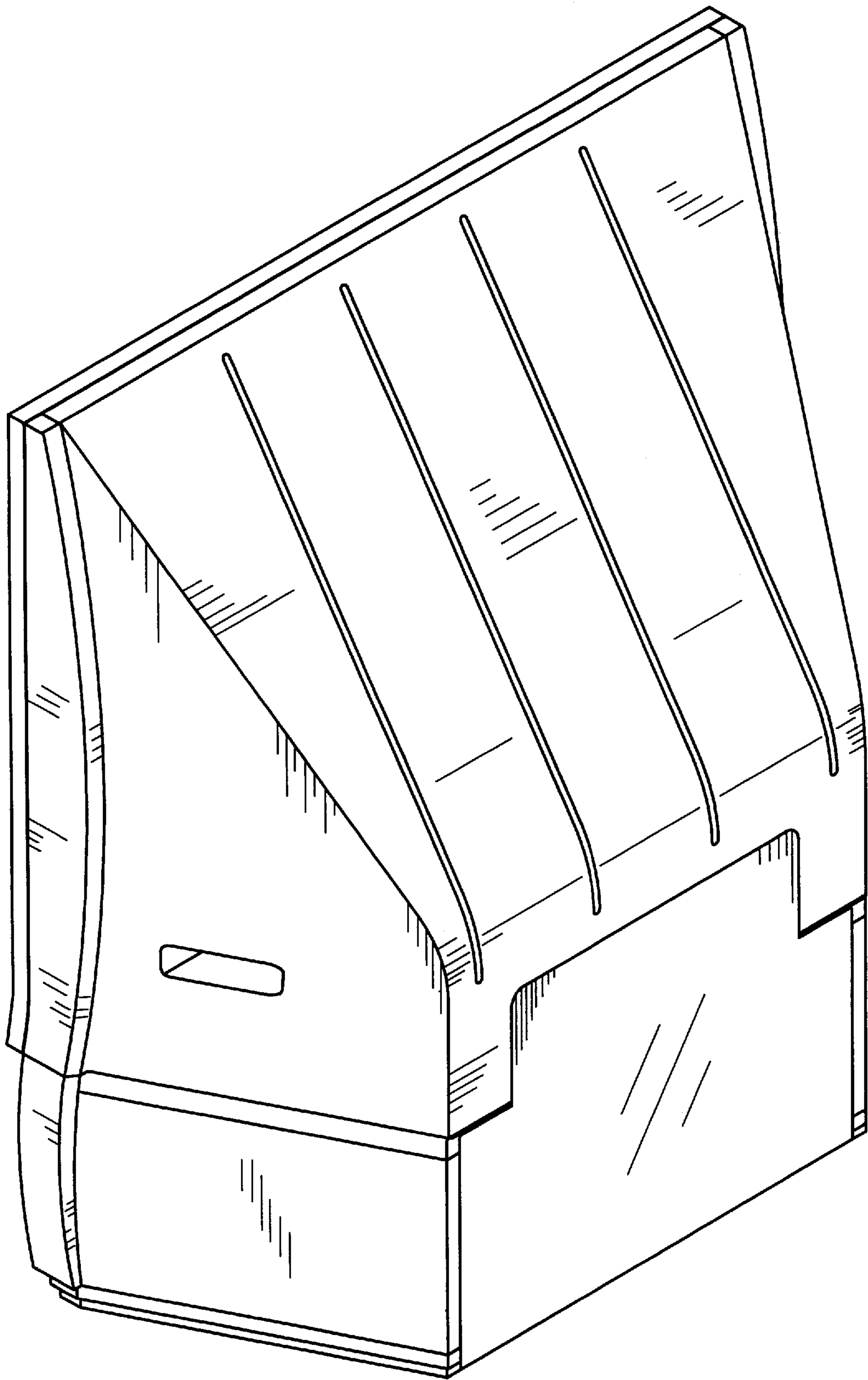


FIG. 8