



US00D439567S

(12) **United States Design Patent**  
**Forlenza et al.**

(10) **Patent No.:** **US D439,567 S**  
(45) **Date of Patent:** **\*\* Mar. 27, 2001**

(54) **COMPUTER**

D. 389,462 1/1998 Johns .

(75) Inventors: **Nicholas G. Forlenza**, Marietta; **Jeffrey M. Reents**, Woodstock; **Michael C. Mayne**, Conyers, all of GA (US)

**OTHER PUBLICATIONS**

Pages printed from Compaq Computer Corporation's Website (<http://www.compaq.com>) related to the Compaq Presario 3000 Series, Aug. 13, 1996.

(73) Assignee: **Monorail, Inc.**, Marietta, GA (US)

\* cited by examiner

(\*\*) Term: **14 Years**

*Primary Examiner*—Freda Nunn

(21) Appl. No.: **29/079,903**

(74) *Attorney, Agent, or Firm*—Kilpatrick Stockton LLP; James L. Ewing, IV; Geoff L. Sutcliffe

(22) Filed: **Nov. 24, 1997**

(51) **LOC (7) Cl.** ..... **14-02**

(52) **U.S. Cl.** ..... **D14/100**; 14/126; 14/129

(58) **Field of Search** ..... D14/100, 101, D14/106, 113, 115, 126-129; 345/104, 133, 156, 168, 173, 87; 364/708.1; 348/180, 184, 325, 739; 349/1, 2, 11, 62

(57) **CLAIM**

The ornamental design for a computer, as shown and described.

(56) **References Cited**

**DESCRIPTION**

**U.S. PATENT DOCUMENTS**

- D. 345,966 4/1994 Perez .
- D. 351,833 10/1994 Takami et al. .
- D. 351,834 \* 10/1994 Takami et al. .... D14/126
- D. 351,835 \* 10/1994 Kawamoto et al. .... D14/129
- D. 354,485 \* 1/1995 Maeno et al. .... D14/129
- D. 355,649 2/1995 Gale et al. .
- D. 356,077 \* 3/1995 Harada et al. .... D14/126
- D. 370,466 \* 6/1996 Vossoughi ..... D14/100

FIG. 1 is a perspective view showing the front and right side of our new design for a computer according to the present design;

FIG. 2 is a top plan view of the computer of FIG. 1;

FIG. 3 is a right side elevation of the computer of FIG. 1;

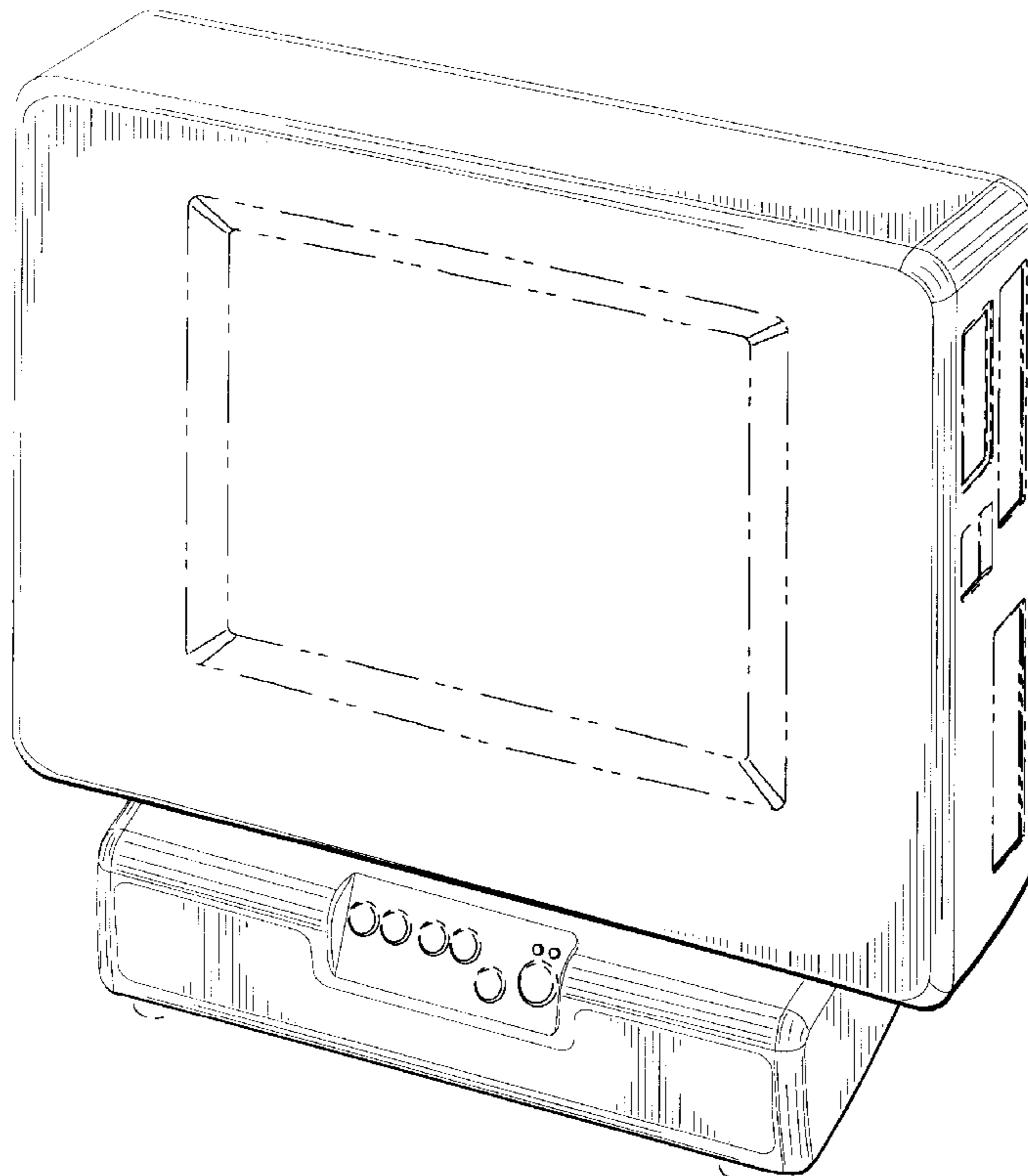
FIG. 4 is a left side elevation of the computer of FIG. 1;

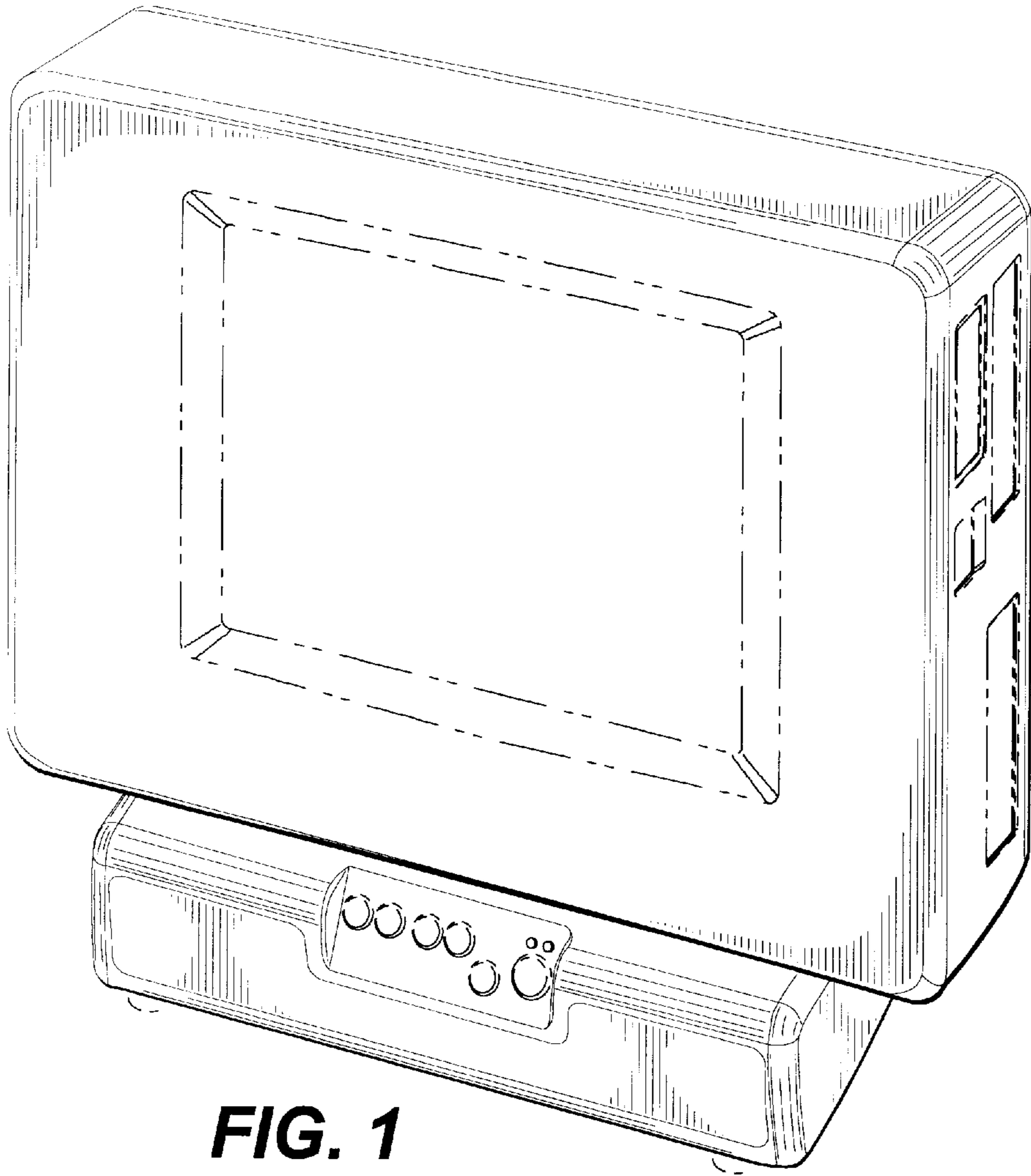
FIG. 5 is a front elevation of the computer of FIG. 1; and,

FIG. 6 is a rear elevation of the computer of FIG. 1.

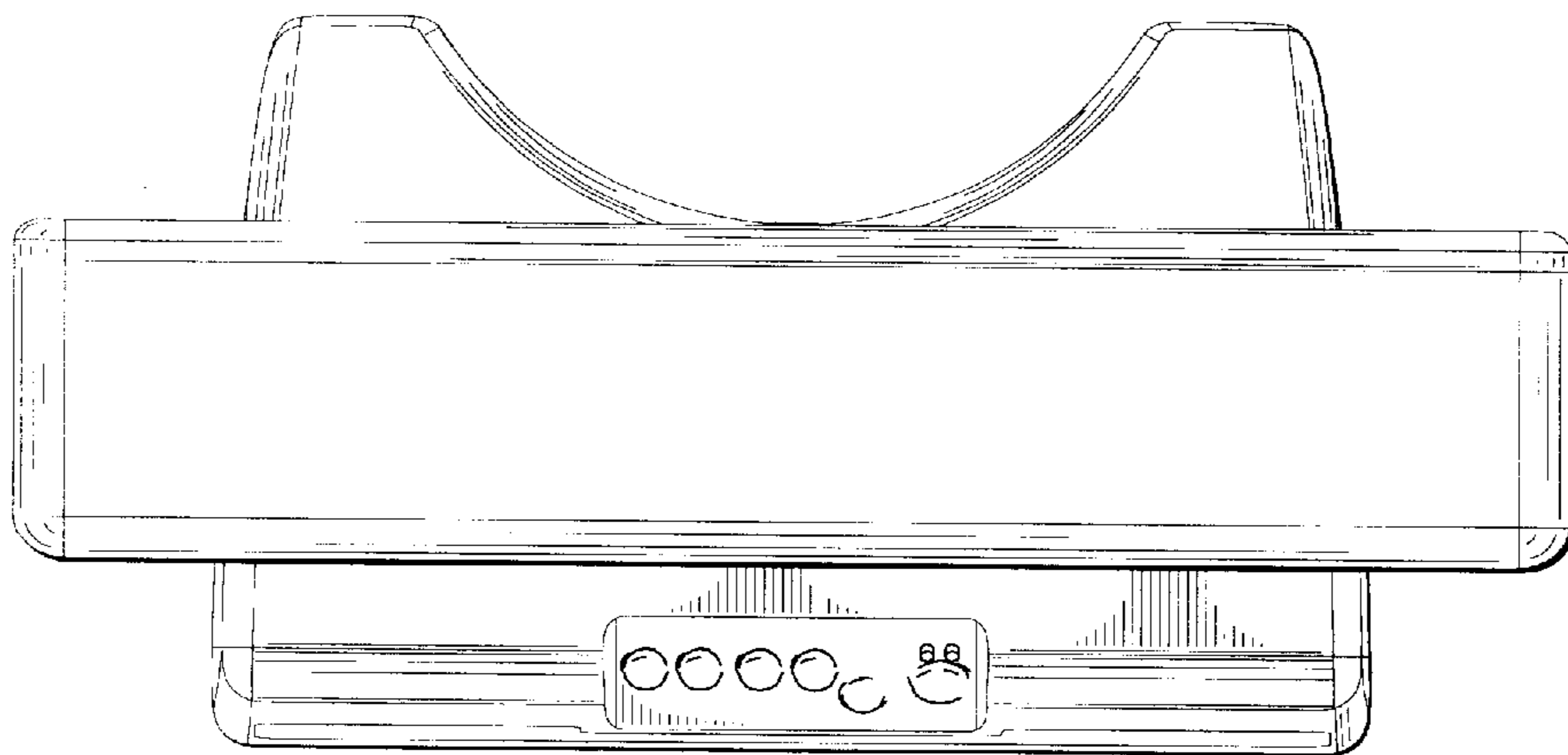
The broken lines of the computer are for illustrative purposes only and form no part of the claimed design.

**1 Claim, 3 Drawing Sheets**

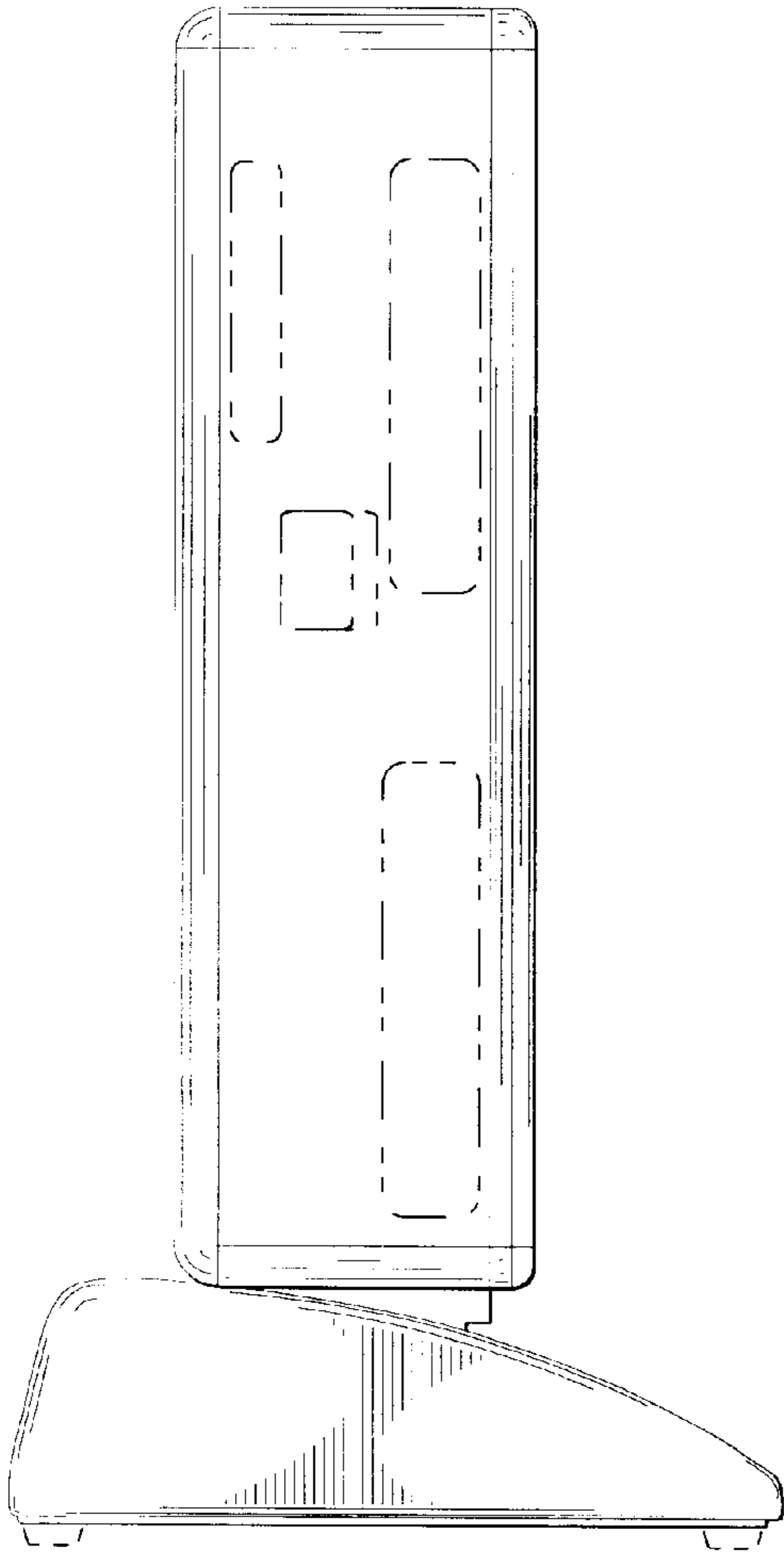




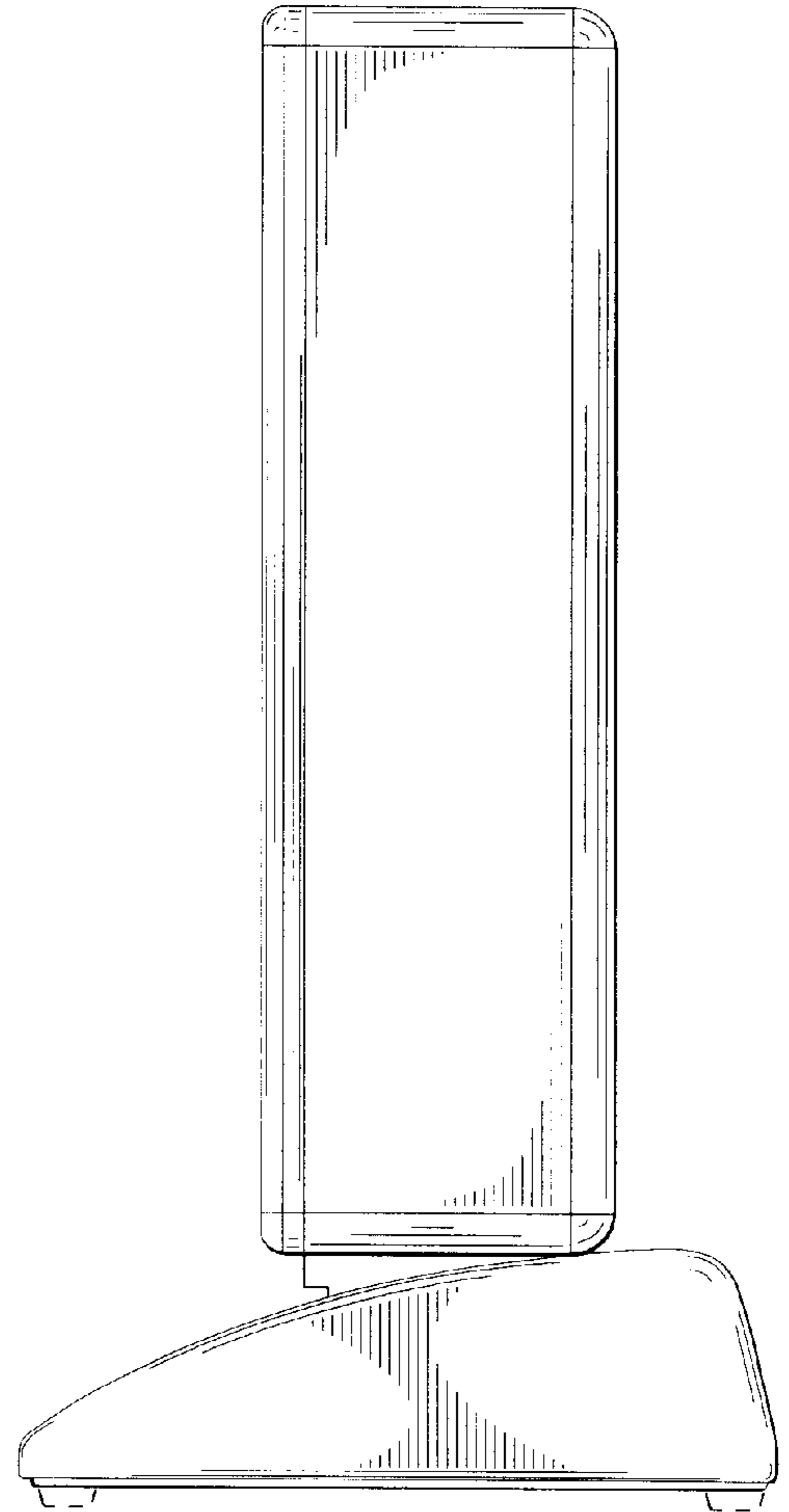
**FIG. 1**



**FIG. 2**

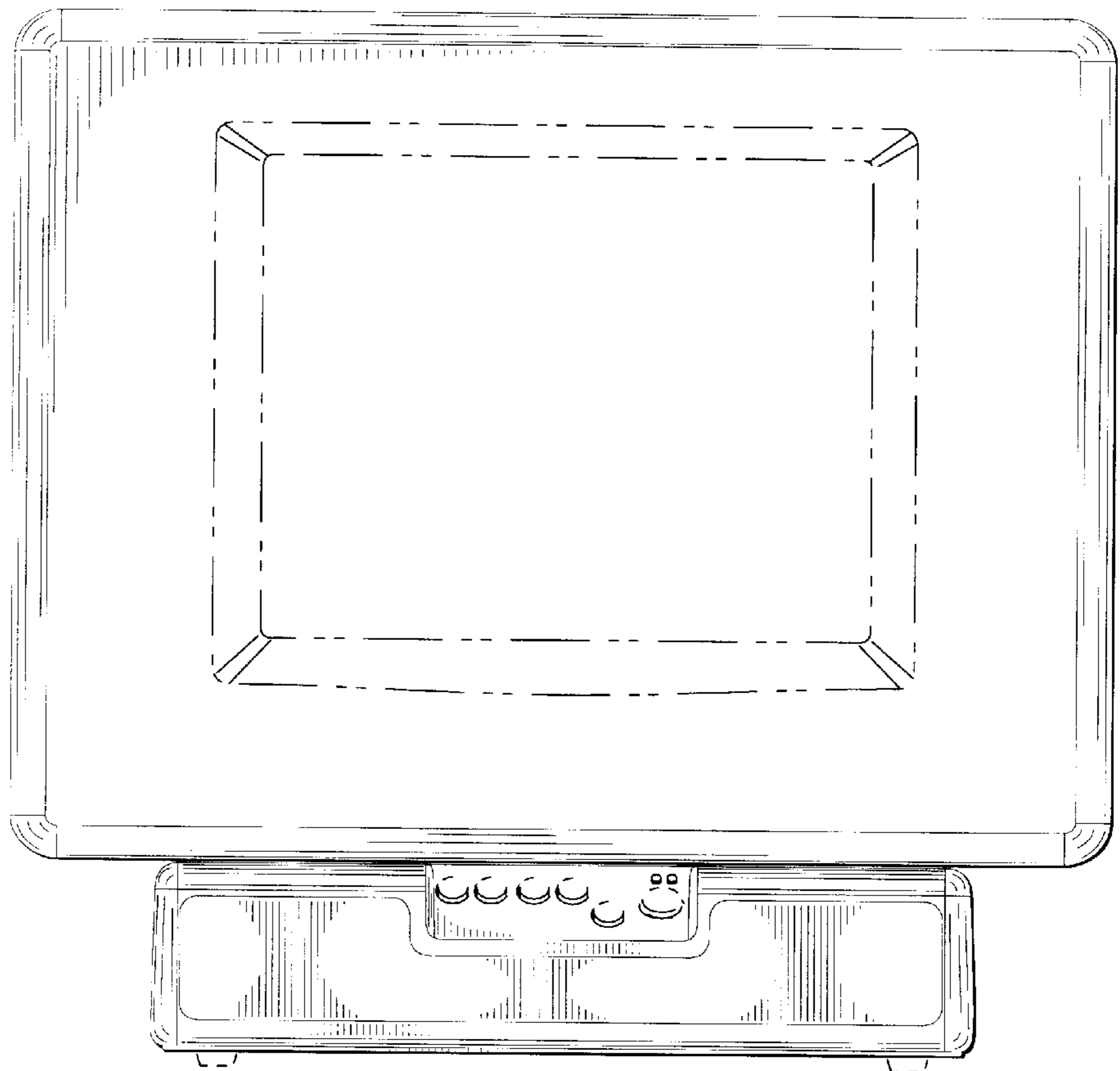


**FIG. 3**



**FIG. 4**

**FIG. 5**



**FIG. 6**

