



US00D439565S

(12) **United States Design Patent**
Lindborg

(10) **Patent No.:** **US D439,565 S**

(45) **Date of Patent:** **** Mar. 27, 2001**

(54) **HOLDER FOR A PACKING PIECE FOR A CABLE LEAD THROUGH**

| | | | | | |
|-----------|---|---------|-------------------|-------|----------|
| 4,702,444 | * | 10/1987 | Beele | | 248/56 |
| 4,919,372 | * | 4/1990 | Twist et al. | | 248/56 |
| 5,416,271 | * | 5/1995 | Birmingham et al. | | 174/65 R |
| 5,493,068 | * | 2/1996 | Klien et al. | | 174/48 |

(75) Inventor: **Erik Lindborg**, Karlskrona (SE)

* cited by examiner

(73) Assignee: **Lycab AB**, Karlskrona (SE)

Primary Examiner—Joel Sincavage

(**) Term: **14 Years**

(74) *Attorney, Agent, or Firm*—Young & Thompson

(21) Appl. No.: **29/093,349**

(57) **CLAIM**

(22) Filed: **Sep. 9, 1998**

The ornamental design for a holder for a packing piece for a cable lead through, as shown and described.

(30) **Foreign Application Priority Data**

DESCRIPTION

Mar. 13, 1998 (SE) 98-0613

(51) **LOC (7) Cl.** **13-03**

FIG. 1 is a side and top perspective view of a holder for a packing piece for a cable lead through, showing my new design;

(52) **U.S. Cl.** **D13/155**

FIG. 2 is an opposite side and bottom perspective view thereof;

(58) **Field of Search** D13/155; 174/101, 174/68.3, 72 A, 65 R, 48; 138/92, 157, 162, 163; 248/56

FIG. 3 is a side elevational view thereof, the opposite side thereof is identical thereto;

(56) **References Cited**

FIG. 4 is a top plan view thereof;

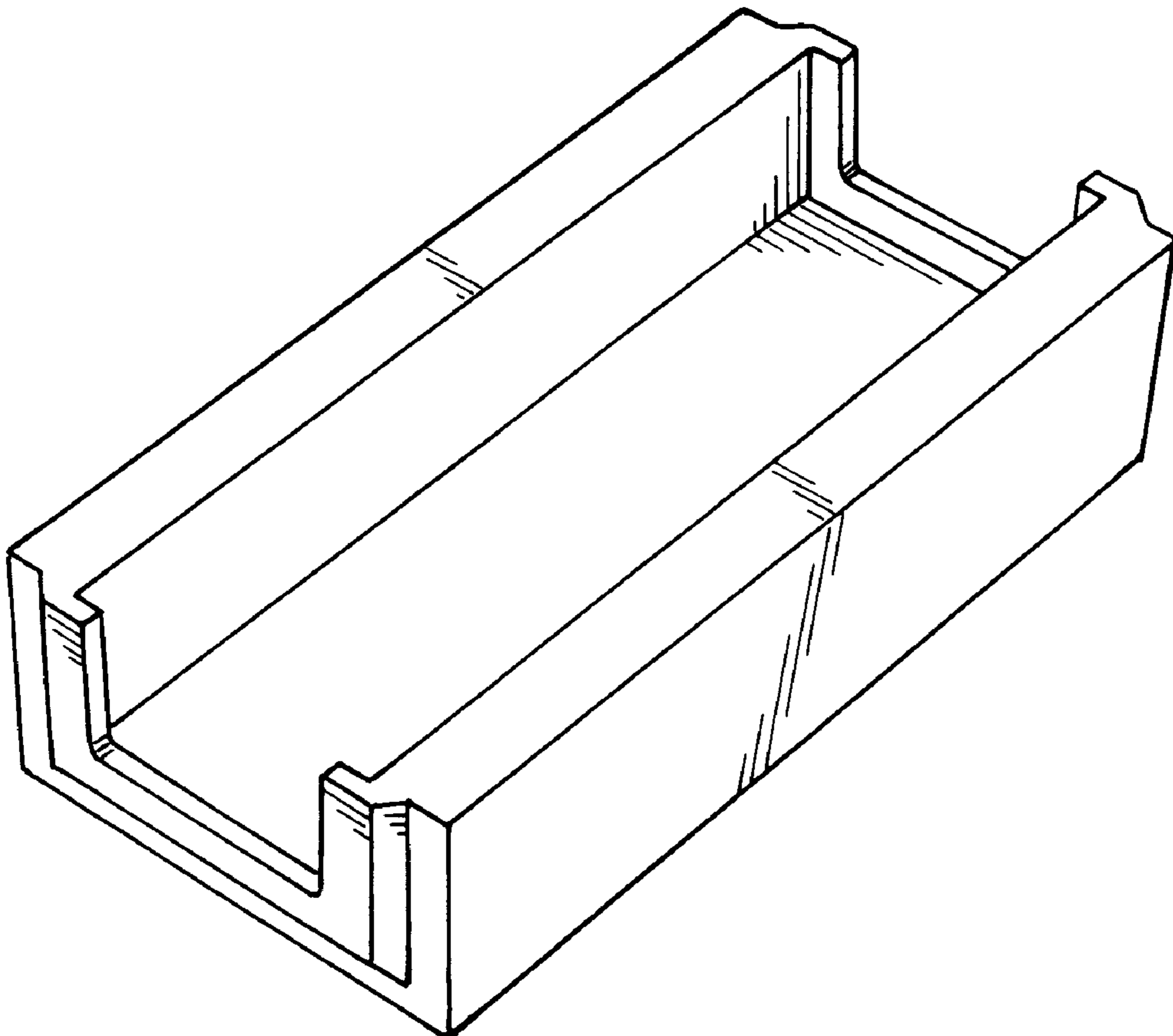
U.S. PATENT DOCUMENTS

FIG. 5 is a bottom plan view thereof; and,

- | | | | | | |
|------------|---|---------|----------|-------|---------|
| D. 314,554 | * | 2/1991 | Betts | | D13/155 |
| D. 334,562 | * | 4/1993 | Maloney | | D13/155 |
| D. 370,205 | * | 5/1996 | Collins | | D13/155 |
| D. 401,223 | * | 11/1998 | Lindborg | | D13/155 |

FIG. 6 is a side elevational view thereof, the opposite side thereof is identical thereto.

1 Claim, 2 Drawing Sheets



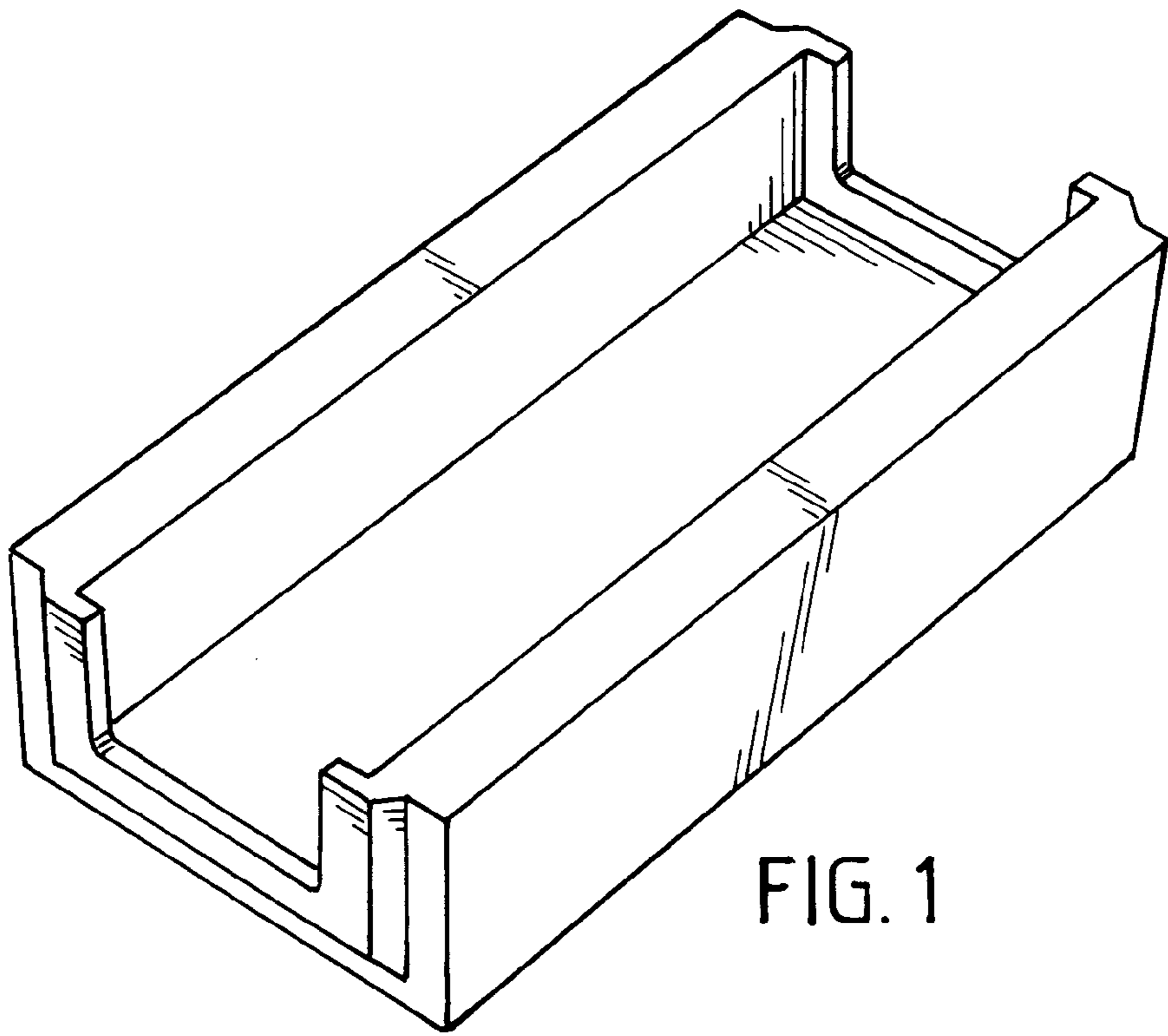


FIG. 1

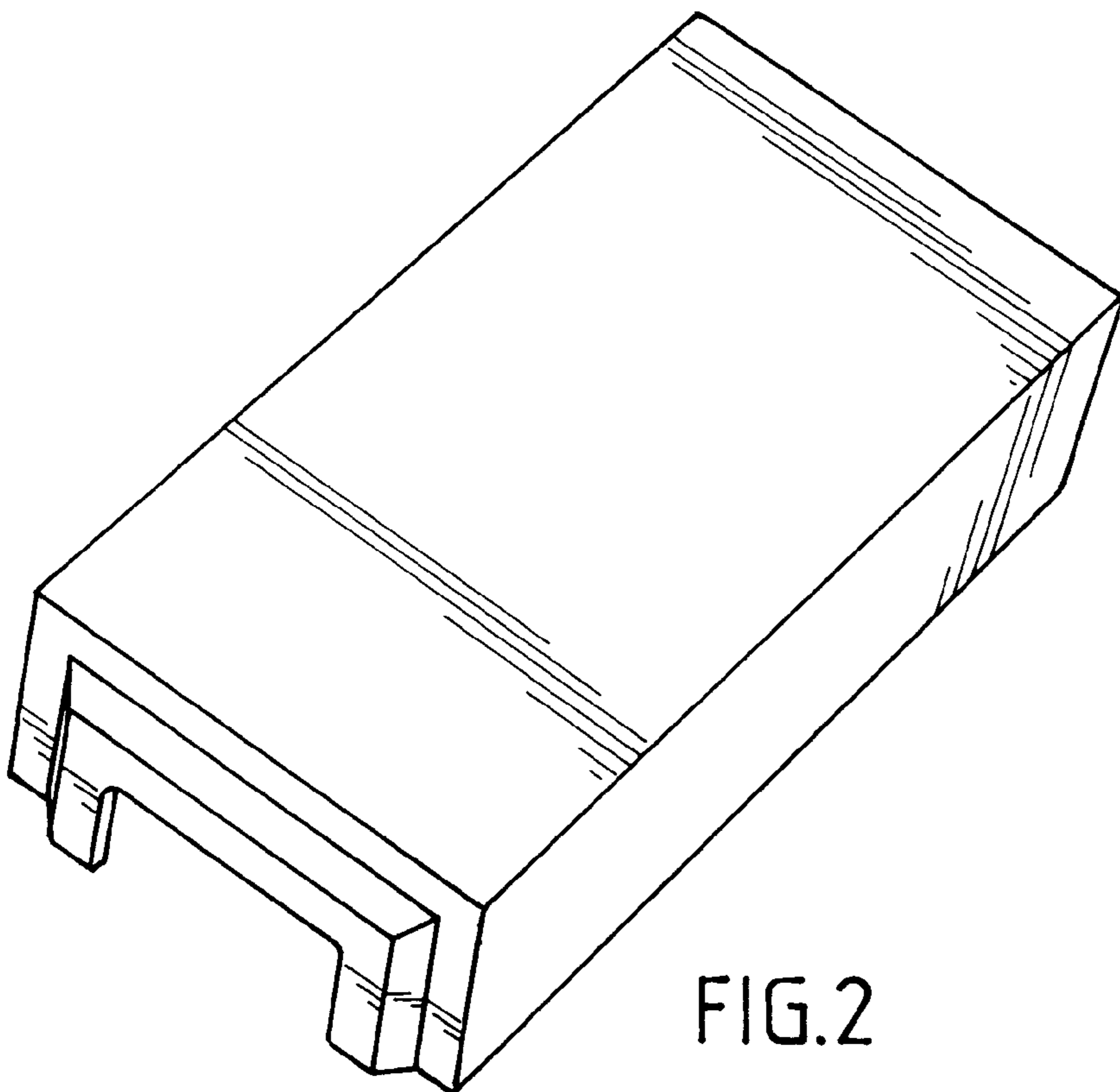


FIG. 2

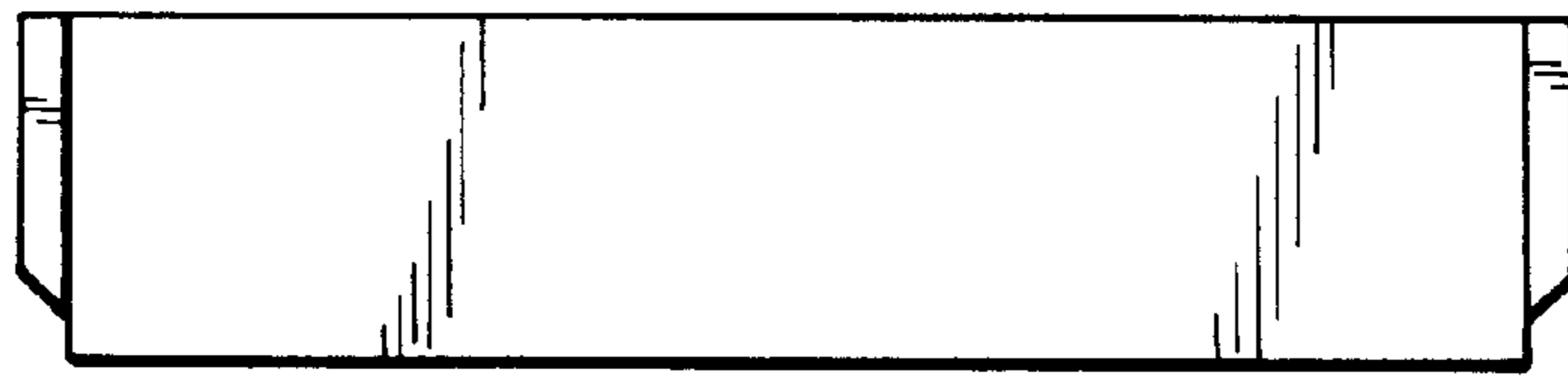


FIG. 3

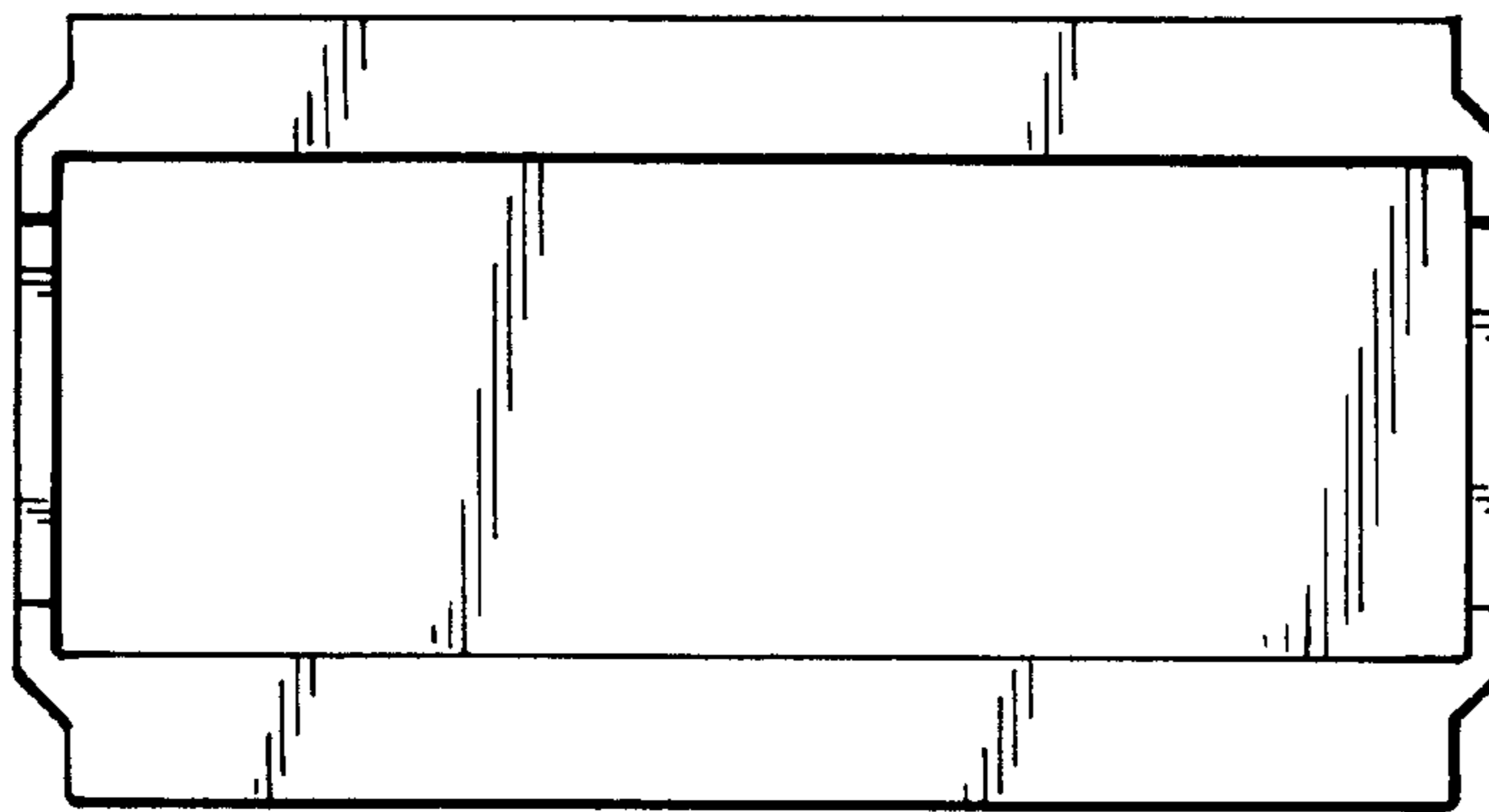


FIG. 4

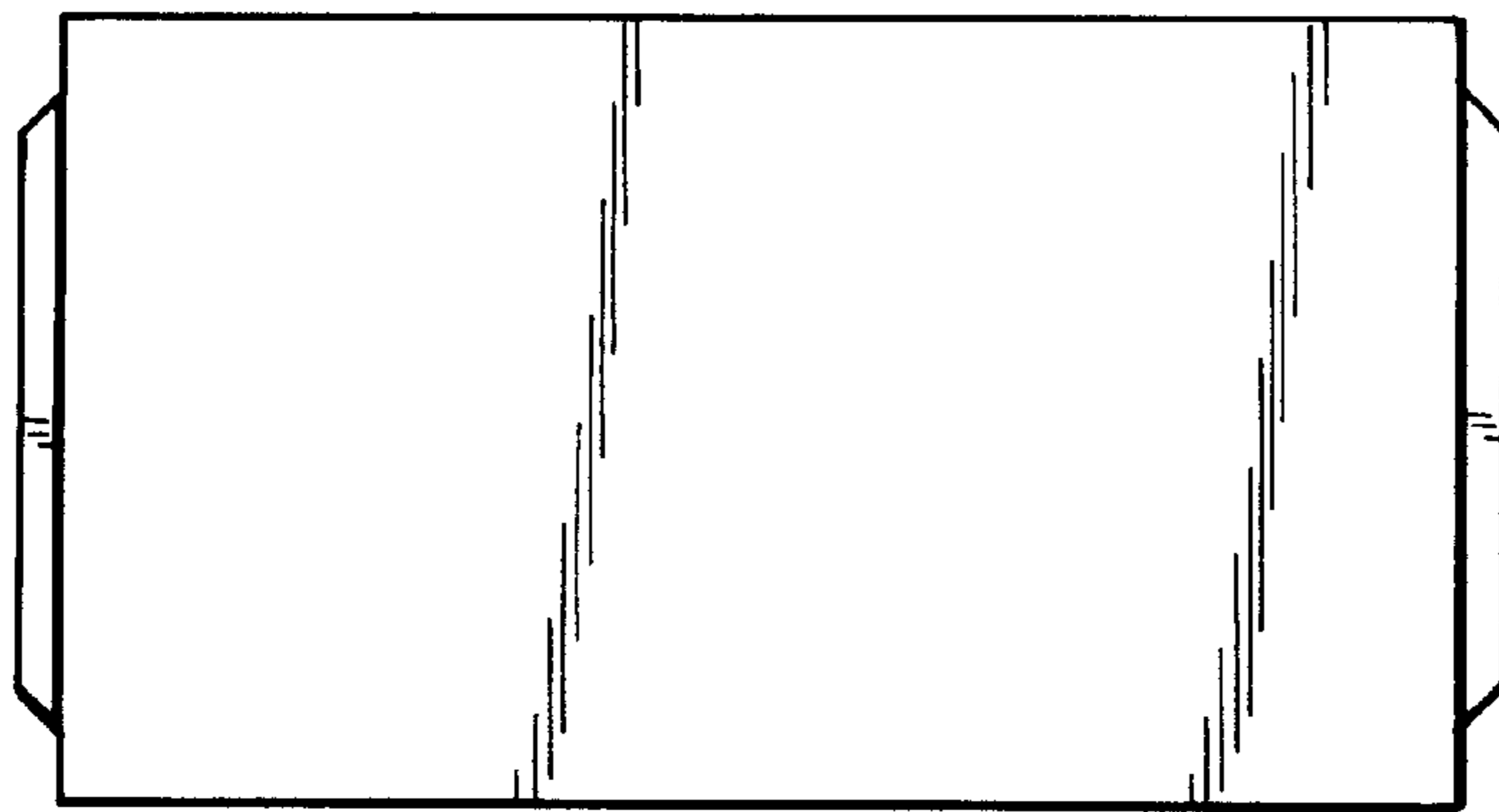


FIG. 5

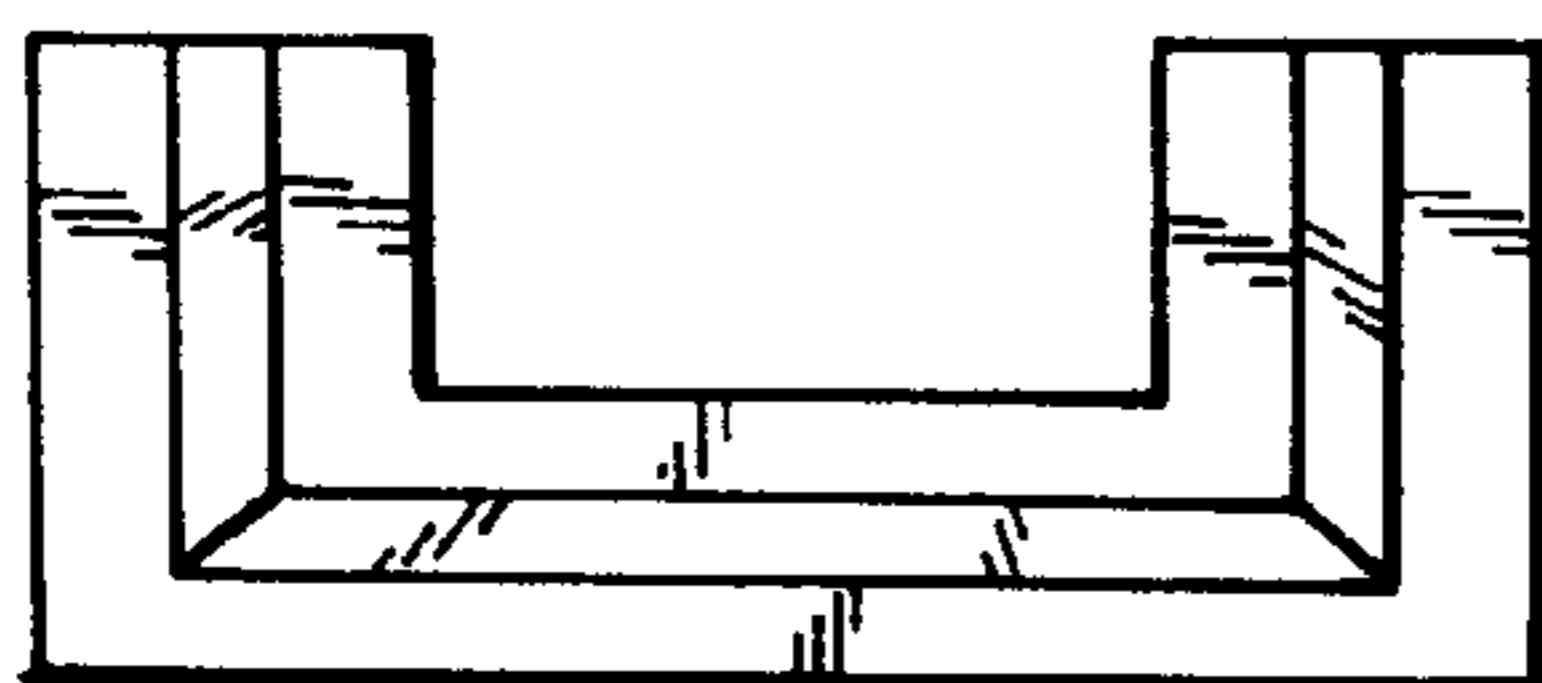


FIG. 6