



US00D439564S

(12) **United States Design Patent**  
**Huang**

(10) **Patent No.:** **US D439,564 S**

(45) **Date of Patent:** **\*\* Mar. 27, 2001**

(54) **INSERTING CLAMP WITH CORD PROTECTOR**

(75) Inventor: **Shak Man Huang**, Shenzhen (CN)

(73) Assignee: **Majorank International Limited**,  
Kowloon (HK)

(\*\*) Term: **14 Years**

(21) Appl. No.: **29/122,586**

(22) Filed: **May 1, 2000**

(51) **LOC (7) Cl.** ..... **13-03**

(52) **U.S. Cl.** ..... **D13/153; D13/154; D13/155**

(58) **Field of Search** ..... **D13/155, 153,**  
**D13/154; 174/135, 136, 68.3; 138/128,**  
**166; 285/419**

(56) **References Cited**

**U.S. PATENT DOCUMENTS**

1,435,311	*	11/1922	Knight	.....	138/110
3,321,571	*	5/1967	Lynch	.....	174/68.3
4,155,574	*	5/1979	Hulsey	.....	285/236
4,212,097	*	7/1980	Portinari et al.	.....	29/450
5,300,732	*	4/1994	Wambeke et al.	.....	138/128 X

6,034,329 \* 3/2000 Kawamura ..... 174/136 X

\* cited by examiner

*Primary Examiner*—Joel Sincavage

(74) *Attorney, Agent, or Firm*—Rabin & Champagne, P.C.

(57) **CLAIM**

The ornamental design for an inserting clamp with cord protector, as shown and described.

**DESCRIPTION**

FIG. 1 is a front perspective view of an inserting clamp with cord protector showing my new design;

FIG. 2 is an in-use front perspective view thereof;

FIG. 3 is a front view thereof;

FIG. 4 is a rear view thereof;

FIG. 5 is a left side view thereof;

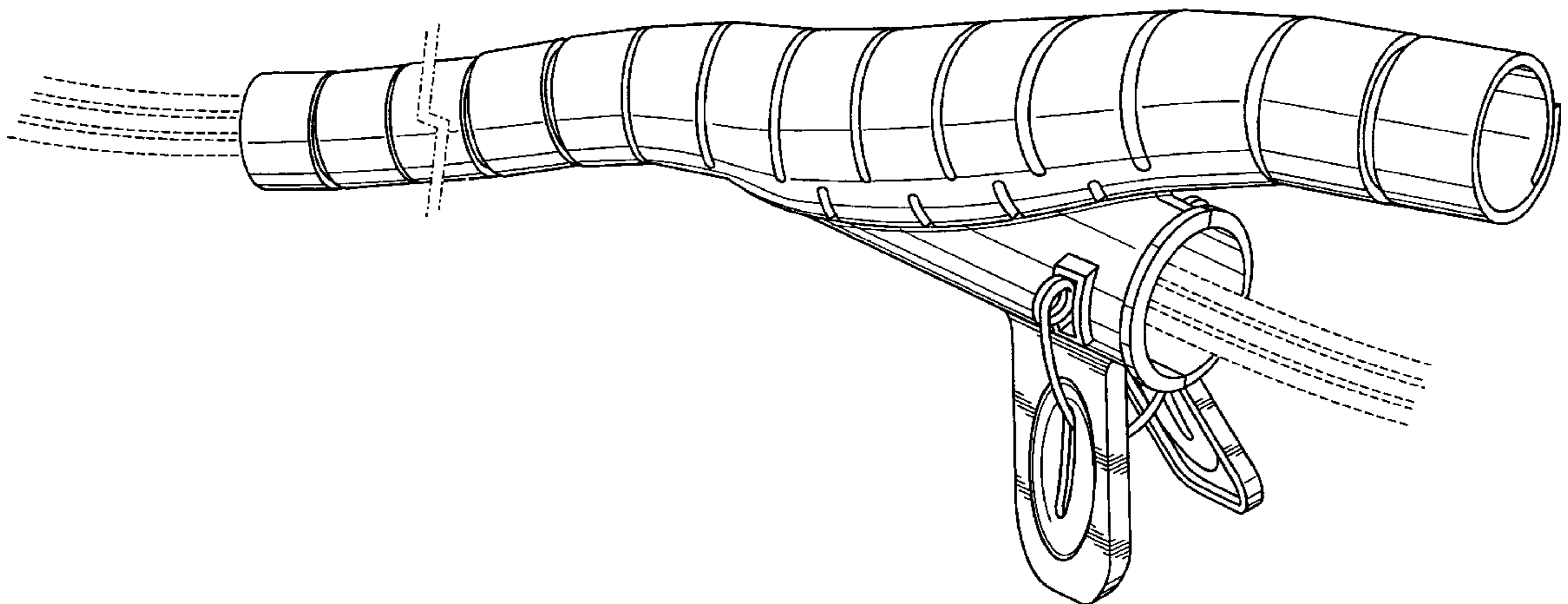
FIG. 6 is a right side view thereof;

FIG. 7 is a top view thereof; and,

FIG. 8 is a bottom view thereof.

The broken lines showing the cord in FIG. 2 are included for the purpose of illustrating environmental structure only and forms no part of the claimed design. The cord protector is shown broken away in FIGS. 1-4, 7 and 8 to indicate indeterminate length.

**1 Claim, 5 Drawing Sheets**



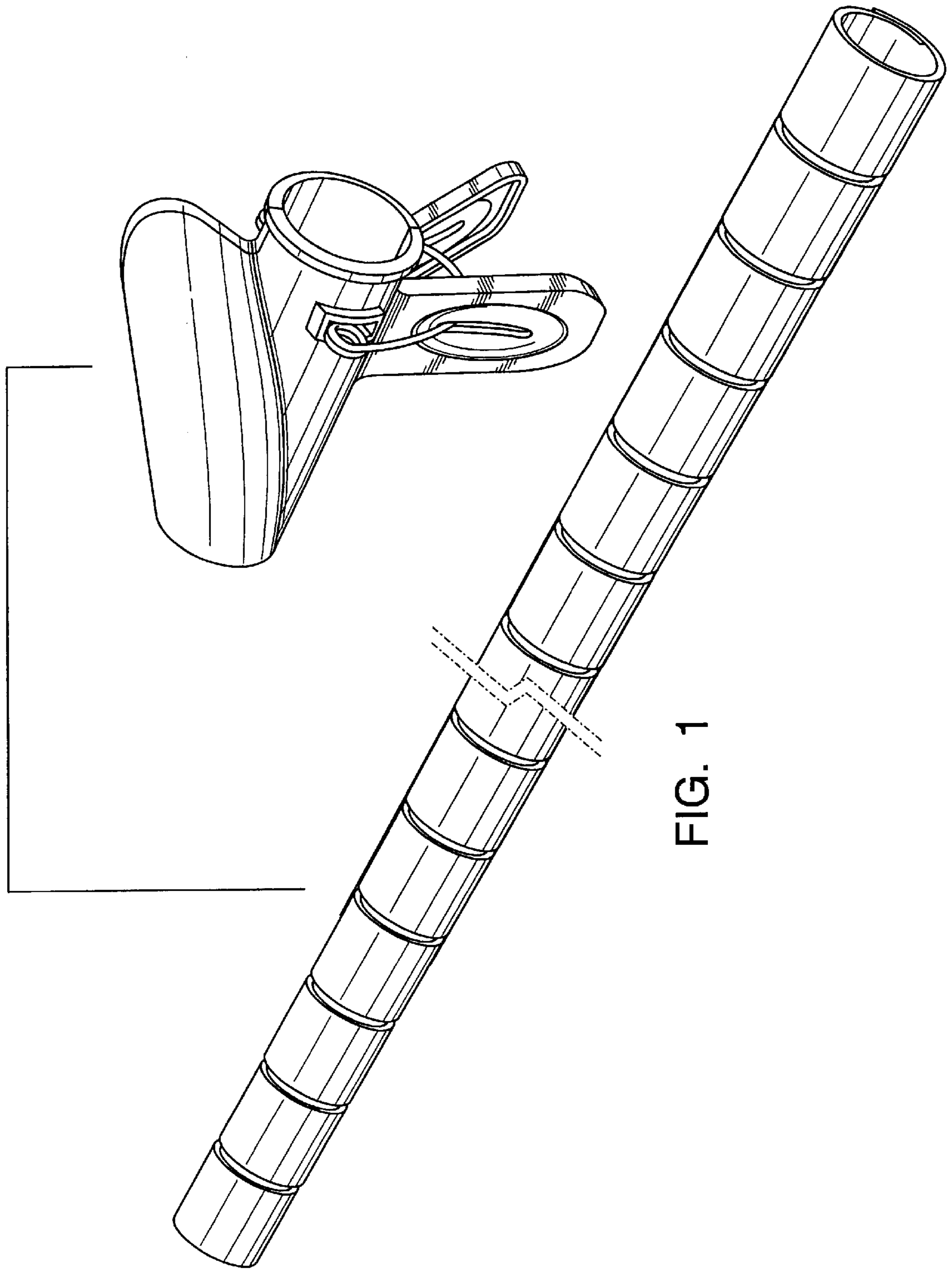


FIG. 1

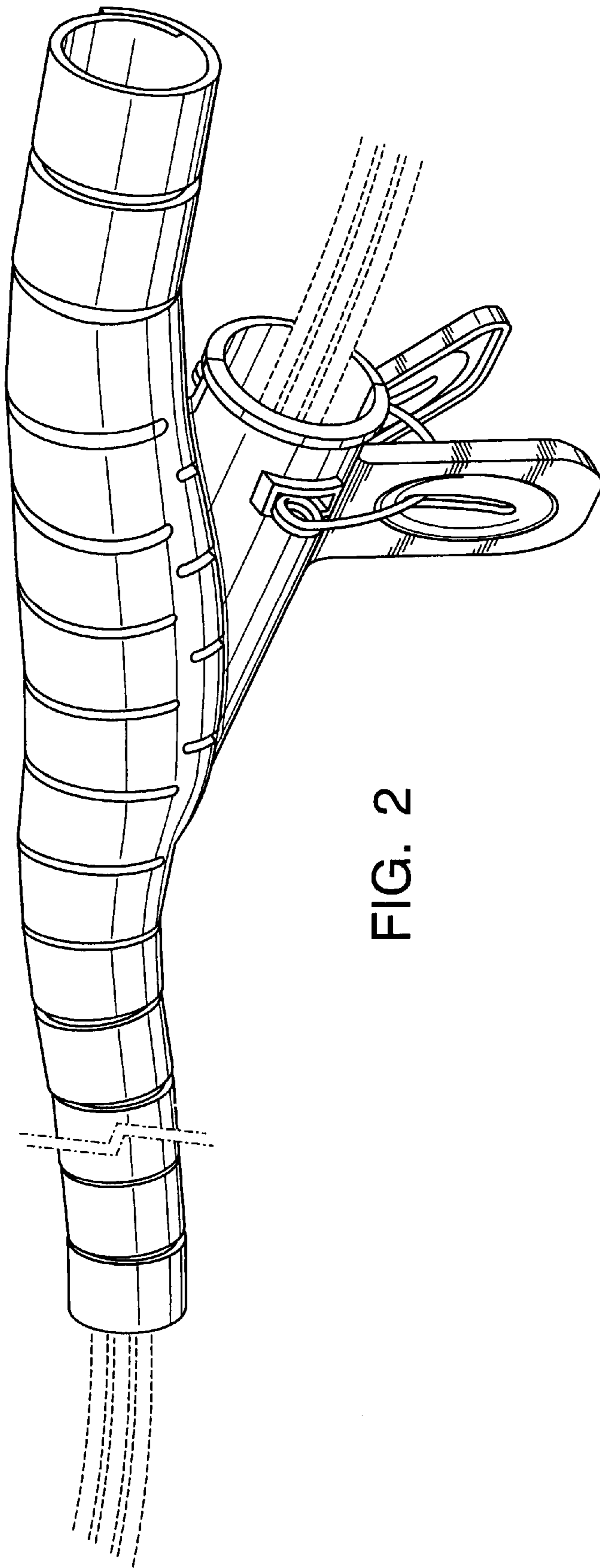
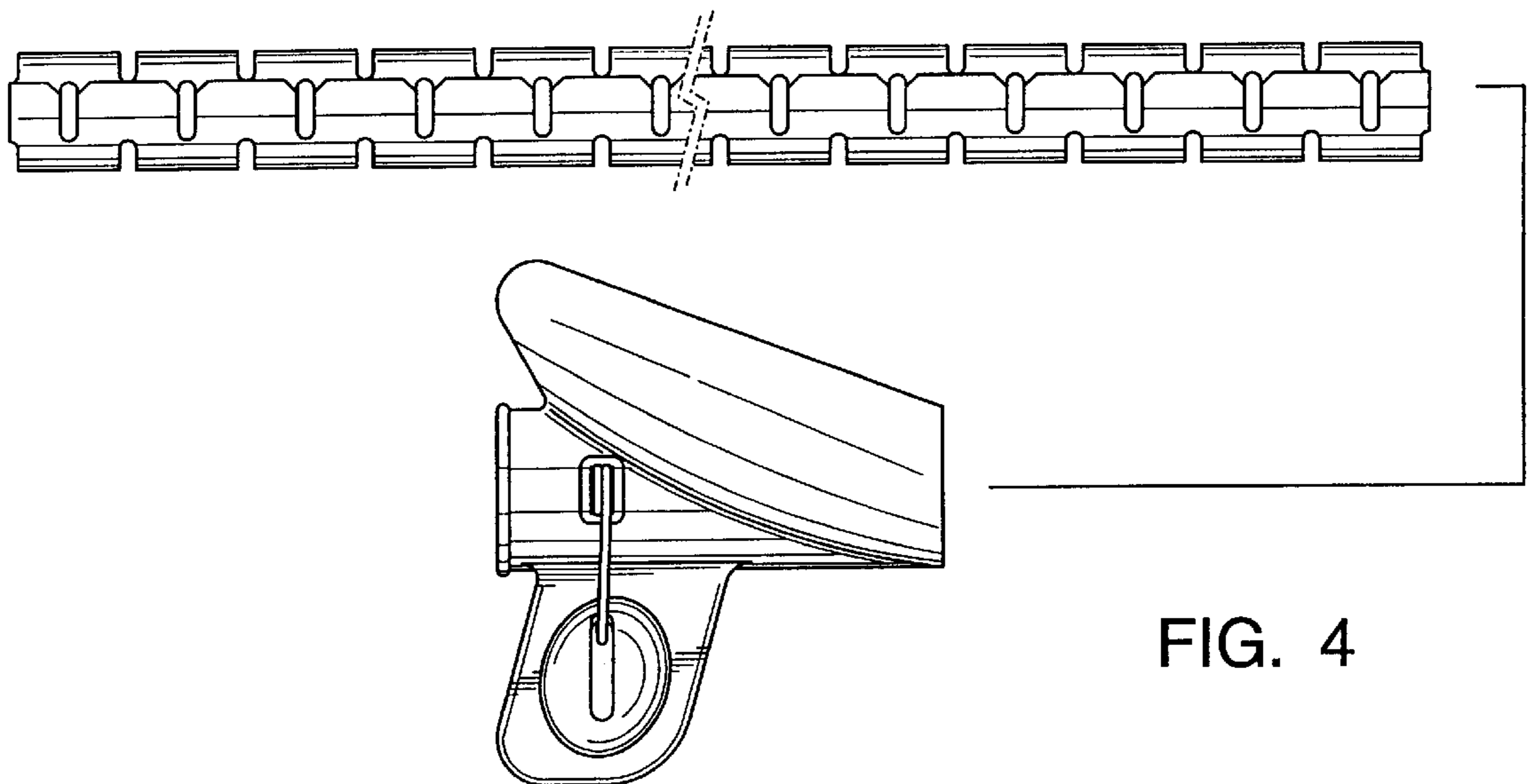
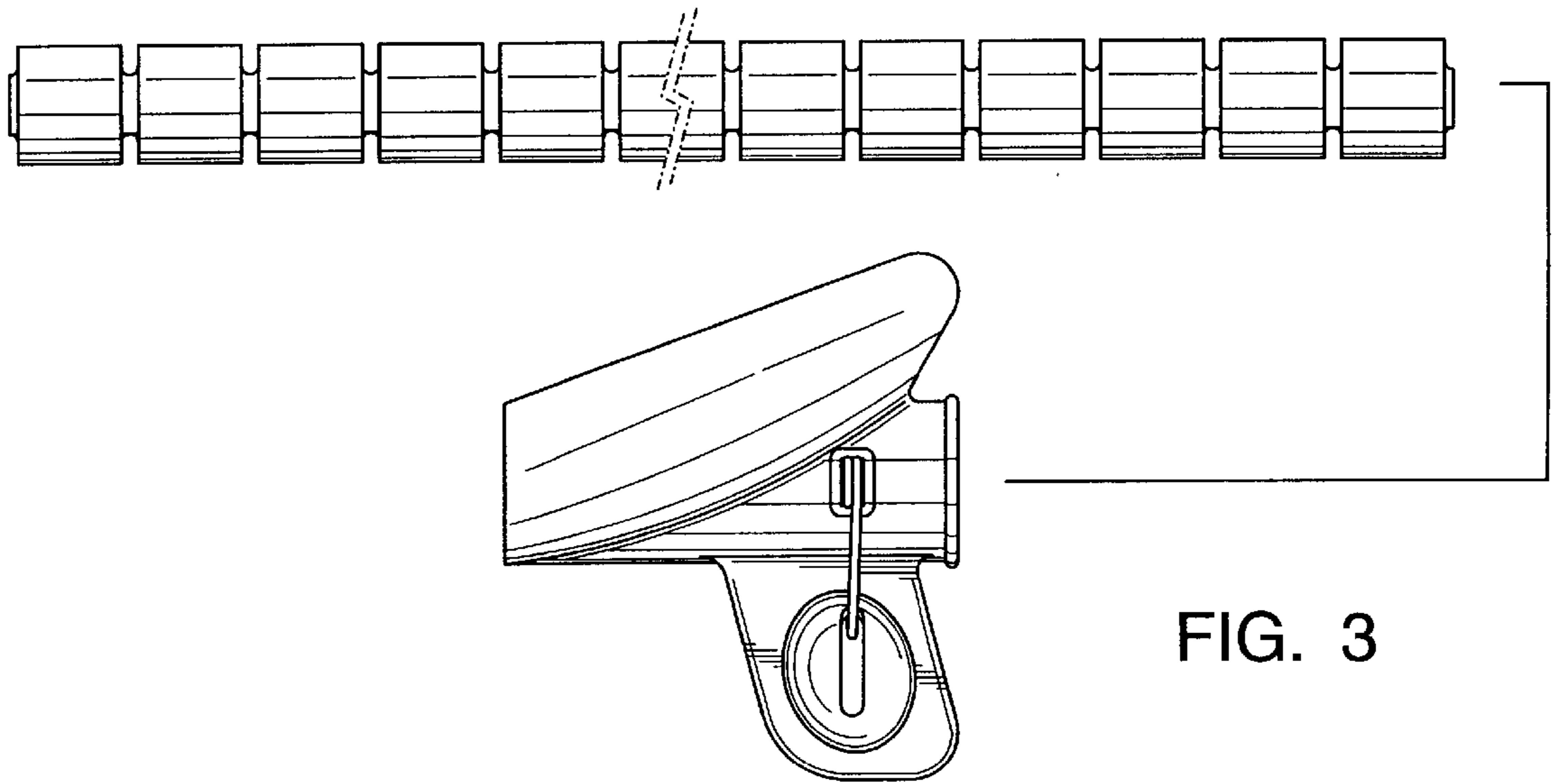


FIG. 2



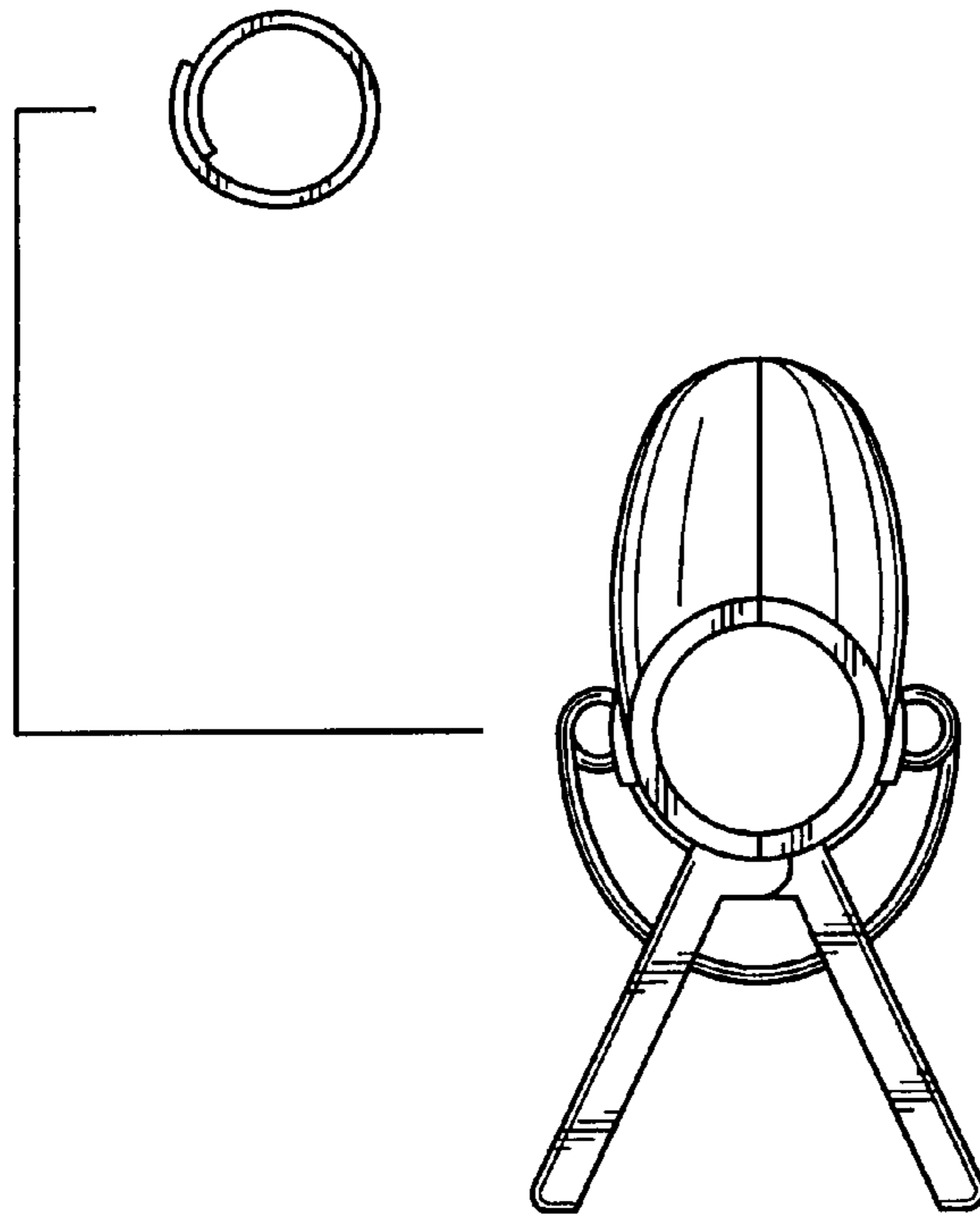


FIG. 5

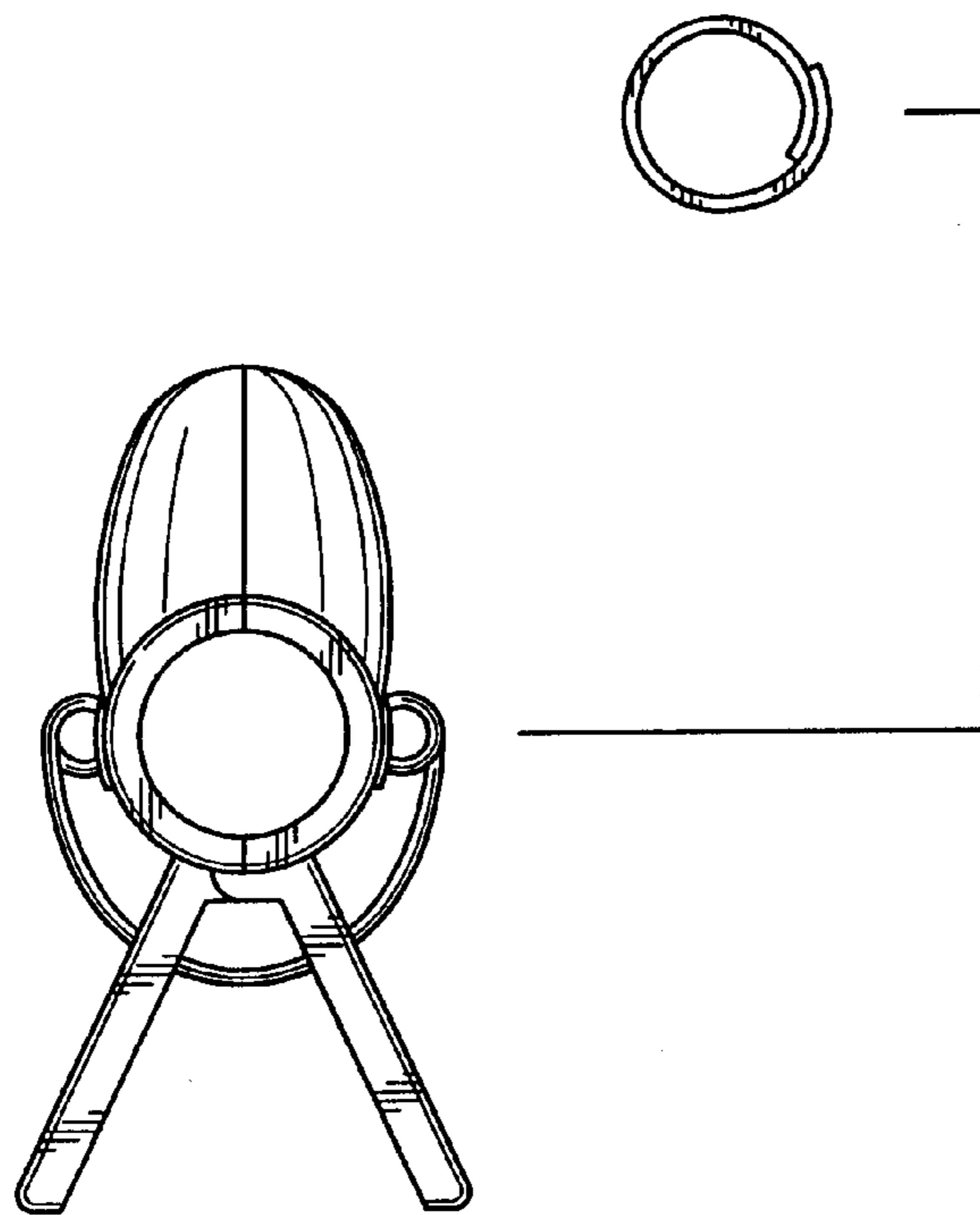


FIG. 6

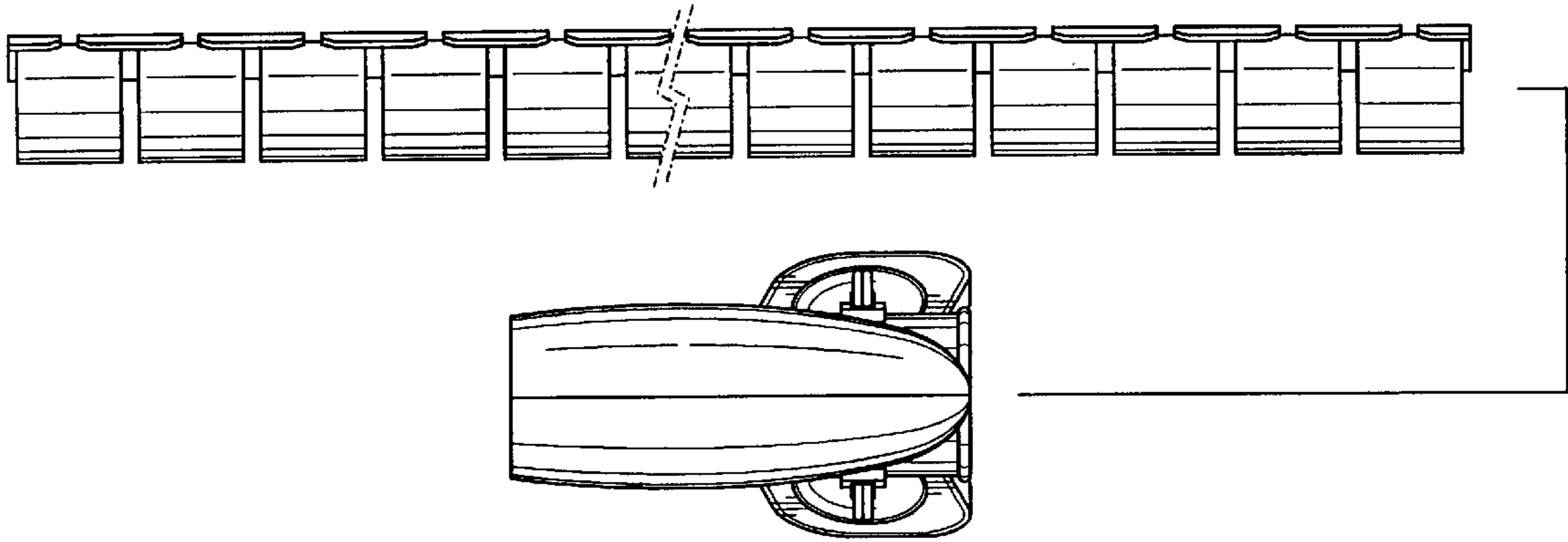


FIG. 7

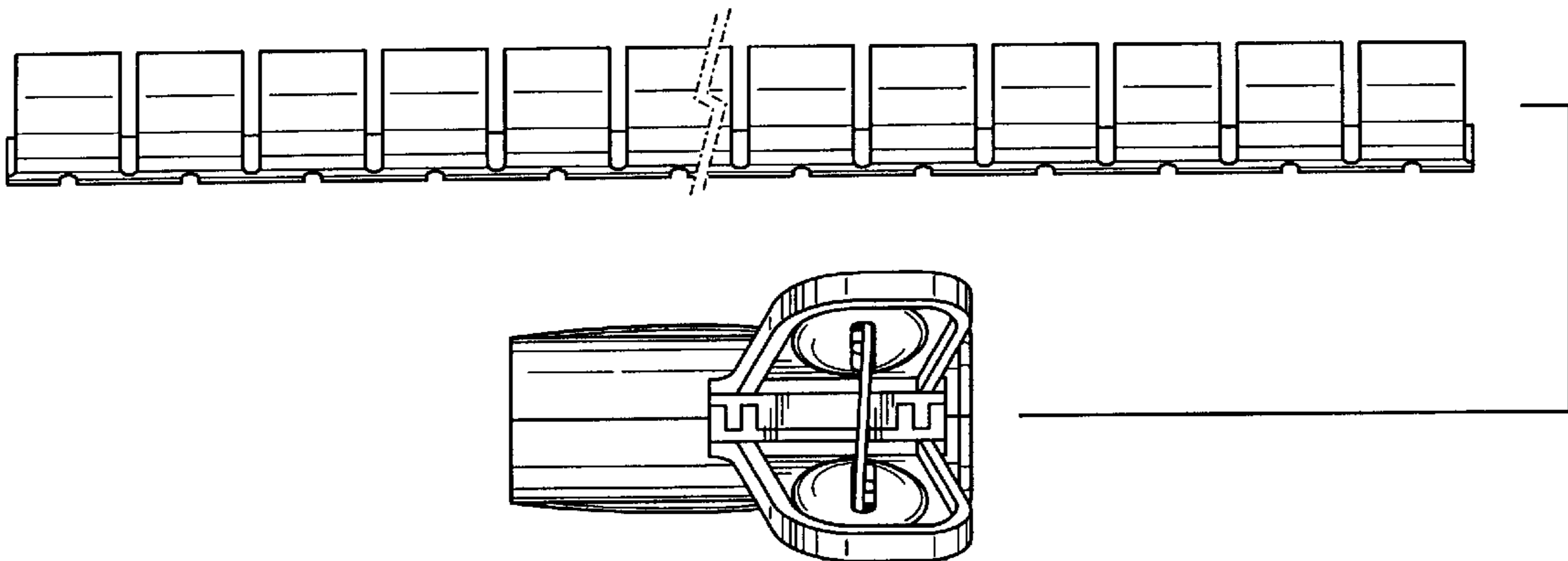


FIG. 8