



US00D439563S

(12) **United States Design Patent**  
**Shimojo**

(10) **Patent No.:** **US D439,563 S**

(45) **Date of Patent:** **\*\* Mar. 27, 2001**

(54) **ELECTRICAL CONNECTOR**

(75) **Inventor:** **Yasuhiro Shimojo, Isesaki (JP)**

(73) **Assignee:** **Hosiden Corporation, Osaka (JP)**

(\*\*) **Term:** **14 Years**

(21) **Appl. No.:** **29/110,666**

(22) **Filed:** **Sep. 13, 1999**

(30) **Foreign Application Priority Data**

Mar. 15, 1999 (JP) ..... 11-6470

(51) **LOC (7) Cl.** ..... **13-03**

(52) **U.S. Cl.** ..... **D13/146; D13/147**

(58) **Field of Search** ..... **D13/146, 147;**  
**439/607, 609, 108, 296, 299**

(56) **References Cited**

**U.S. PATENT DOCUMENTS**

D. 298,312 \* 11/1988 Sekiguchi ..... D13/147

D. 306,010 \* 2/1990 Komatsu ..... D13/147

D. 310,512 \* 9/1990 Tajima ..... D13/146

D. 310,513 \* 9/1990 Tajima ..... D13/146

D. 416,862 \* 11/1999 Chiou ..... D13/146

4,913,664 \* 4/1990 Dixon et al. .... 439/607

\* cited by examiner

*Primary Examiner*—Joel Sincavage

(74) *Attorney, Agent, or Firm*—Pollock, Vande Sande & Amernick

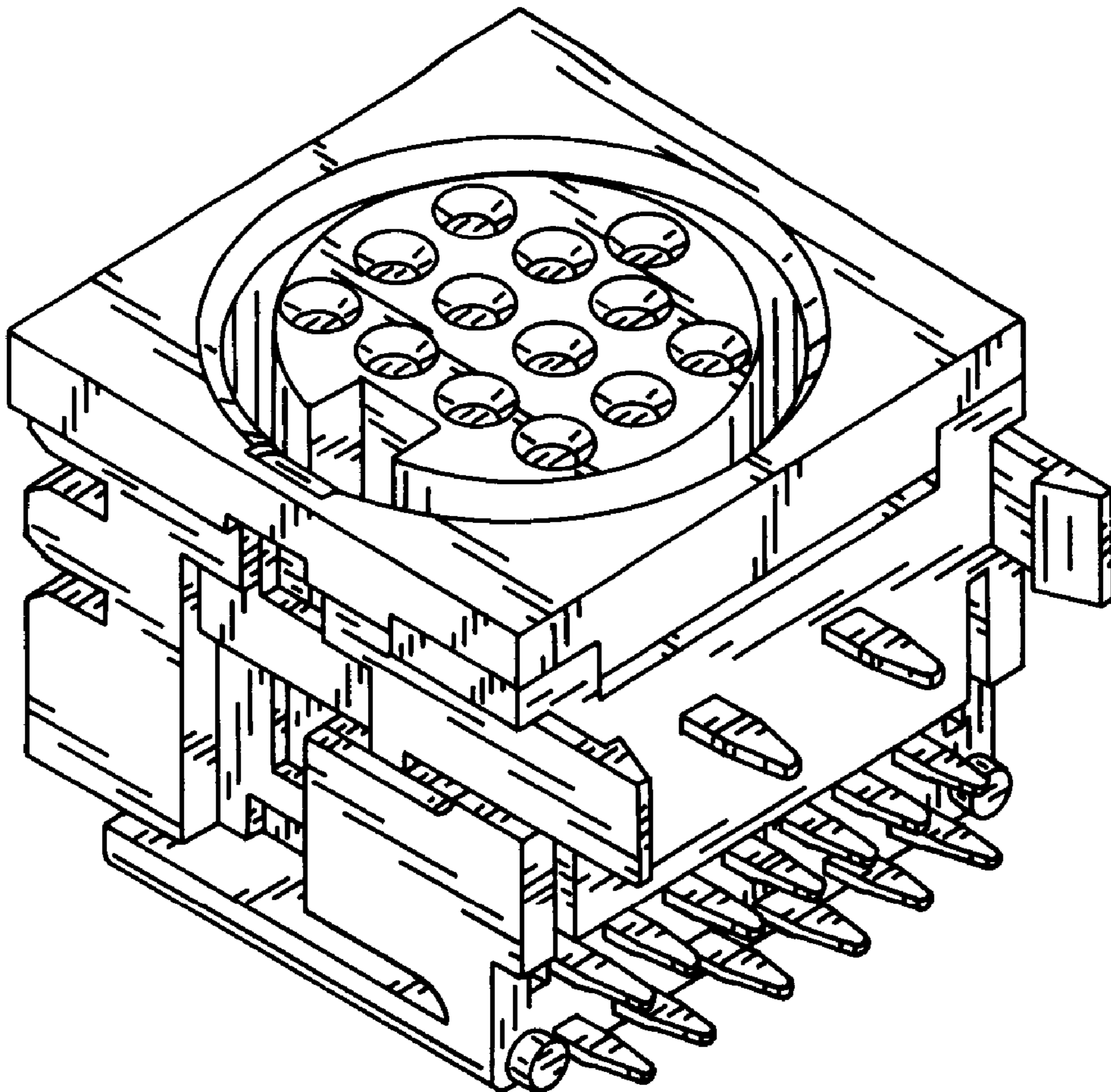
(57) **CLAIM**

The ornamental design for electrical connector, as shown and described.

**DESCRIPTION**

FIG. 1 is a top plan view;  
FIG. 2 is a front view;  
FIG. 3 is a bottom view;  
FIG. 4 is a left side view;  
FIG. 5 is a right side view;  
FIG. 6 is a back view;  
FIG. 7 is a perspective view; and,  
FIG. 8 is a perspective view.

**1 Claim, 3 Drawing Sheets**



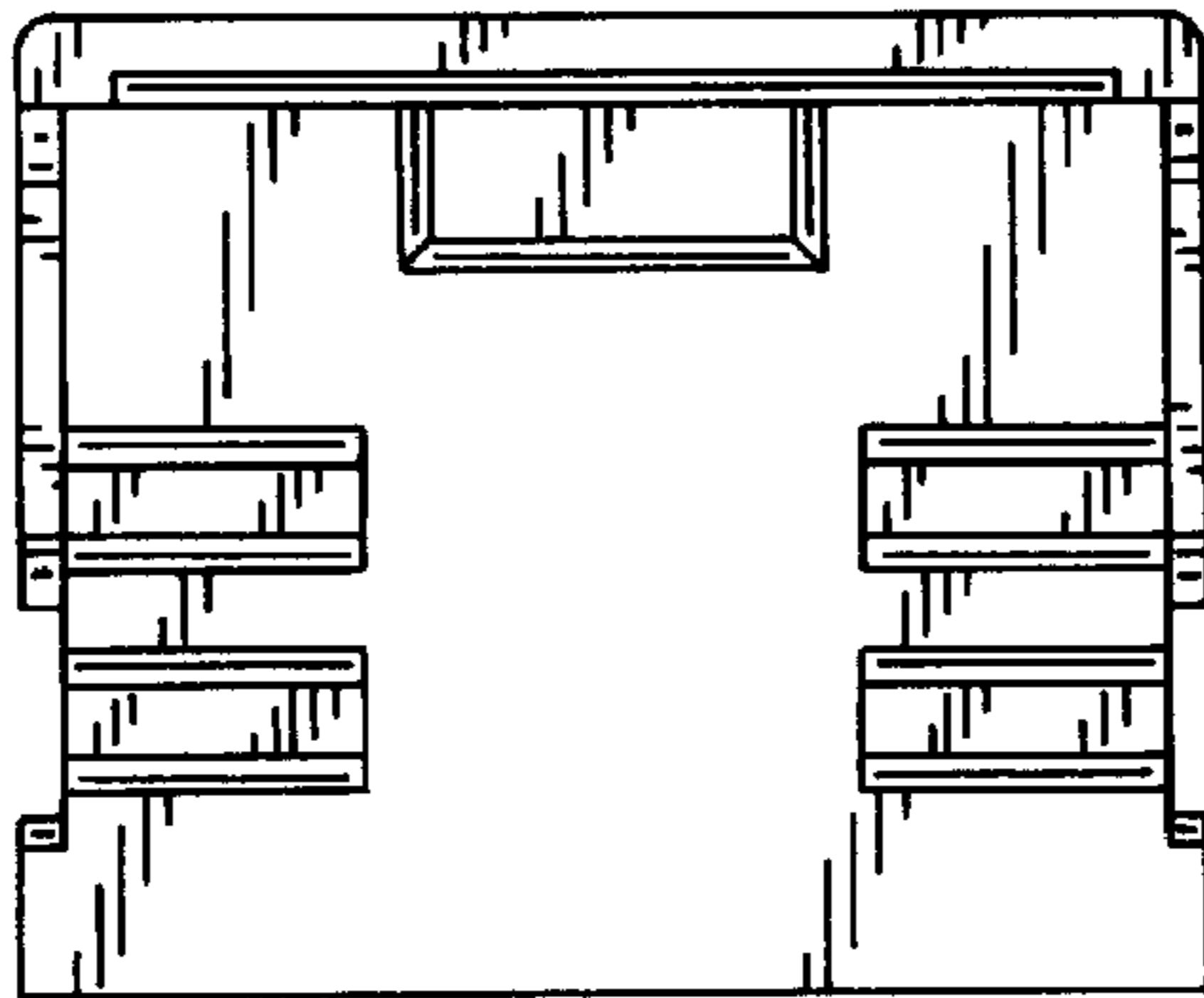


FIG. 1

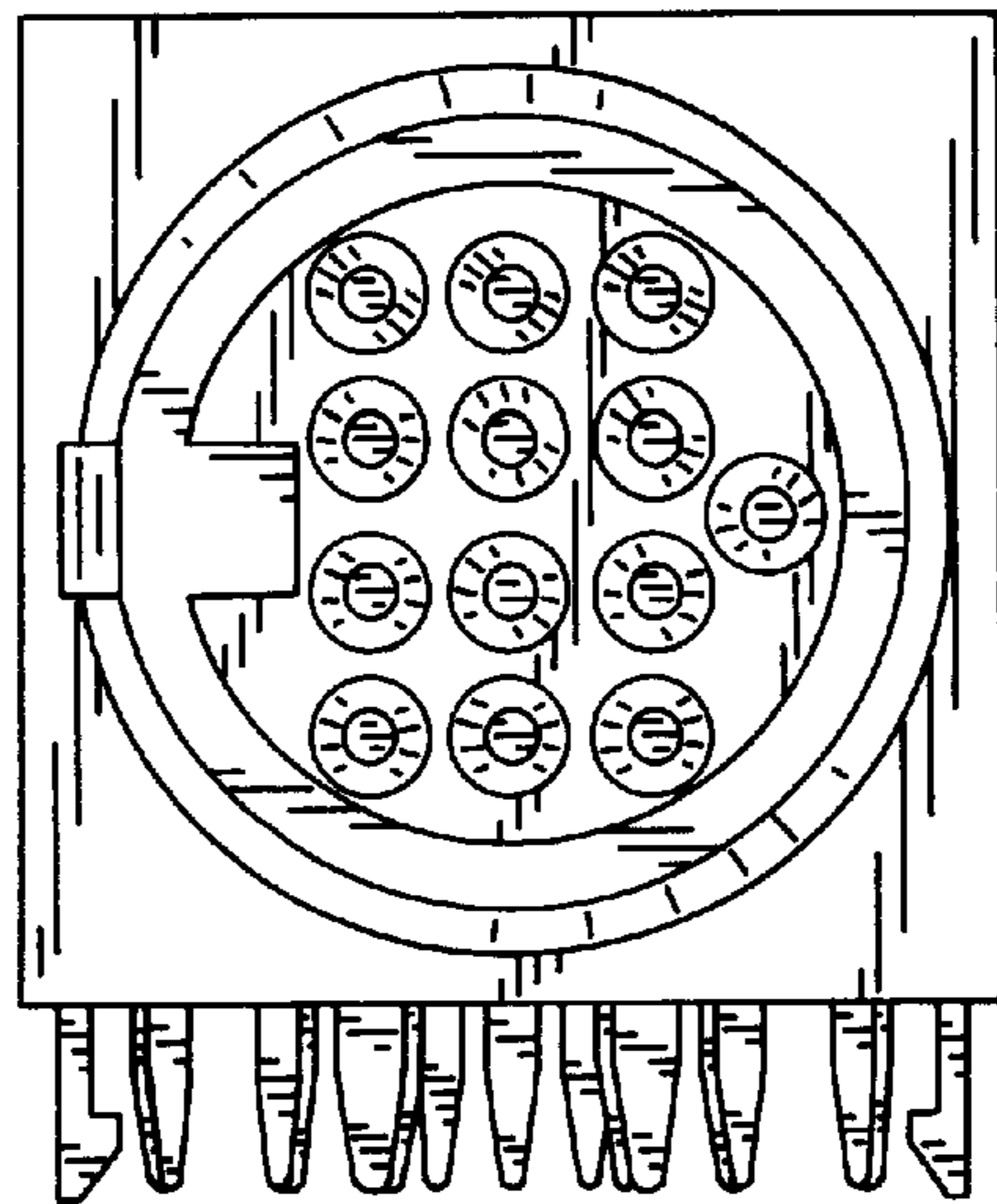


FIG. 2

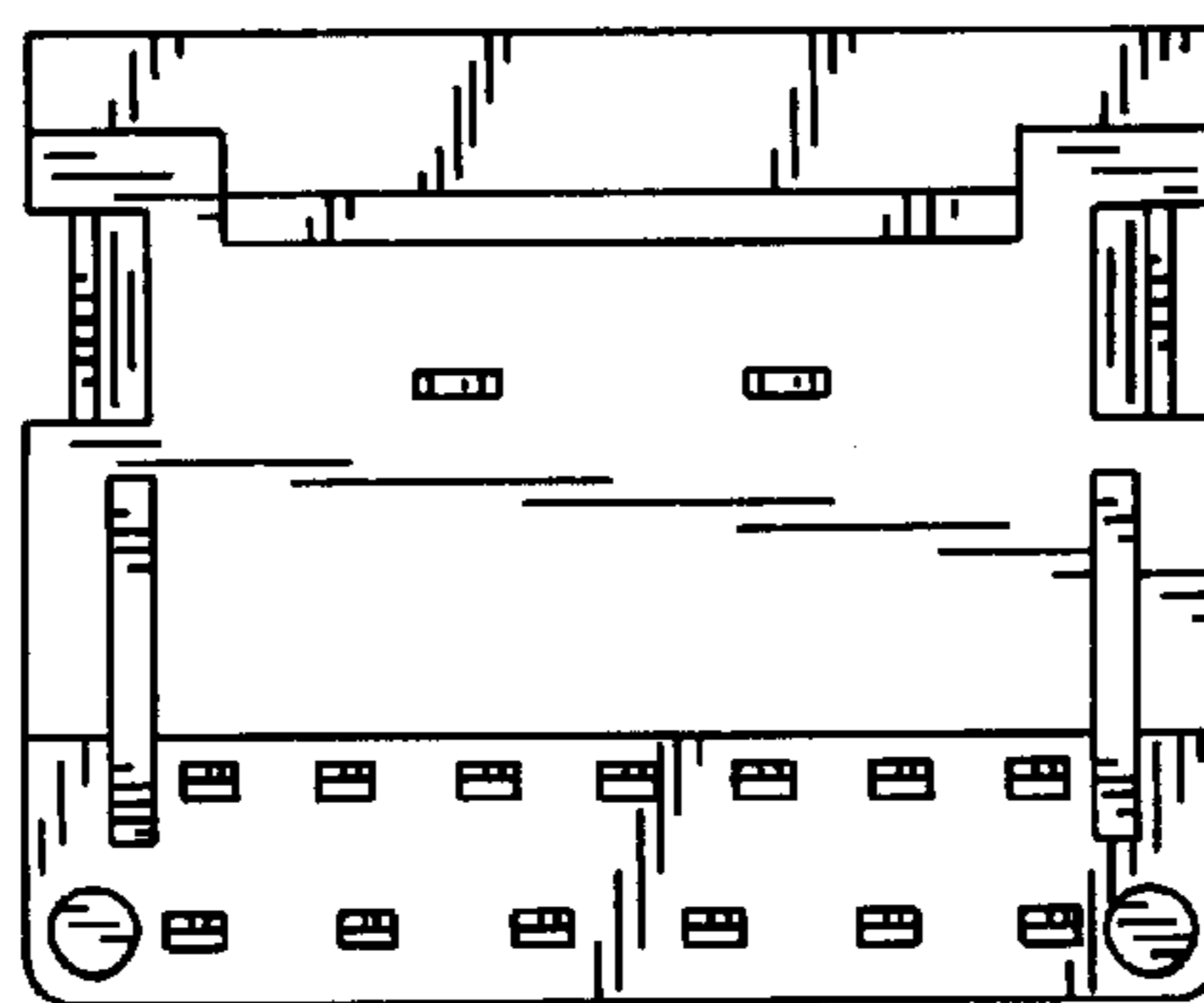


FIG. 3

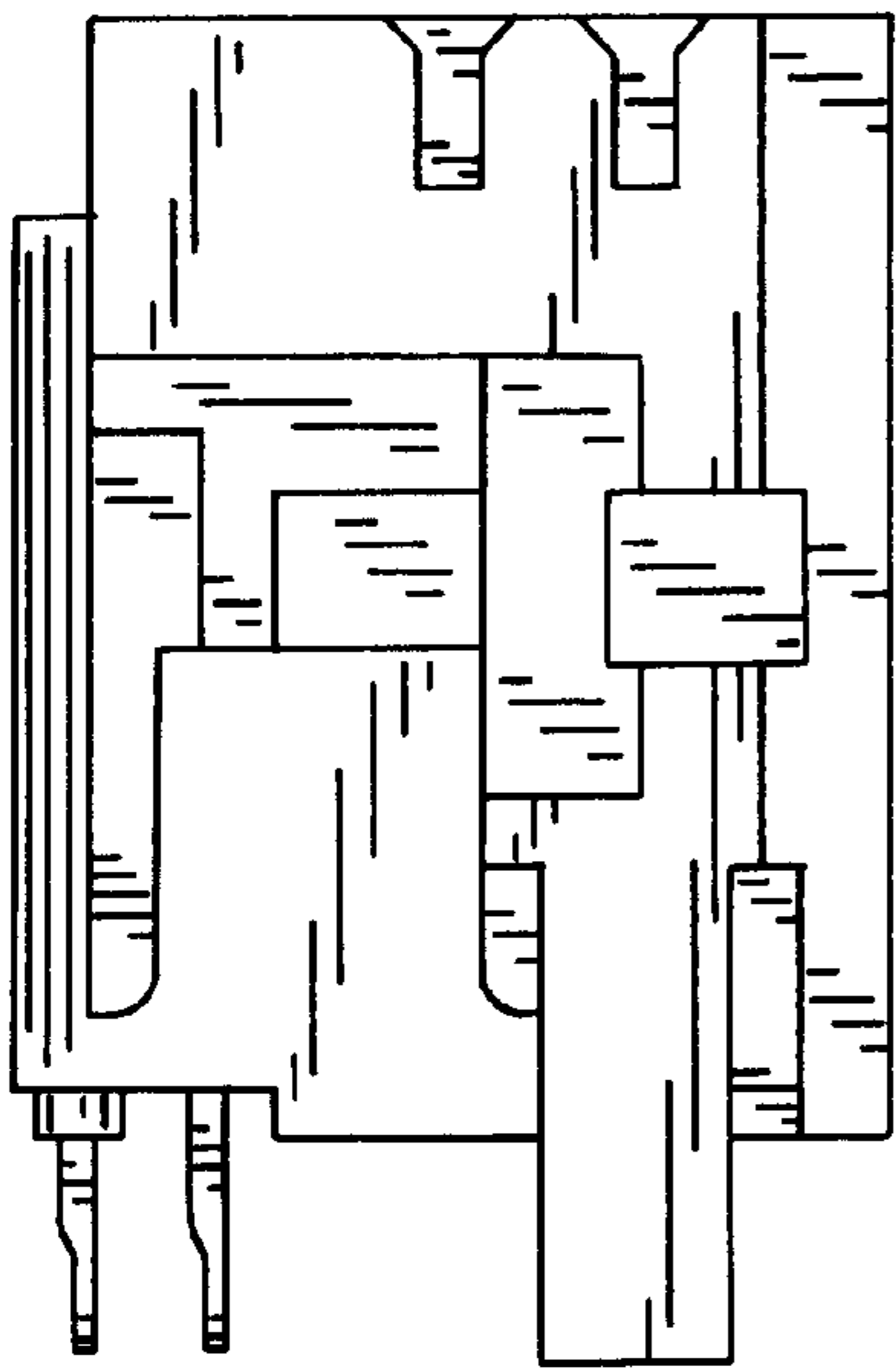


FIG. 4

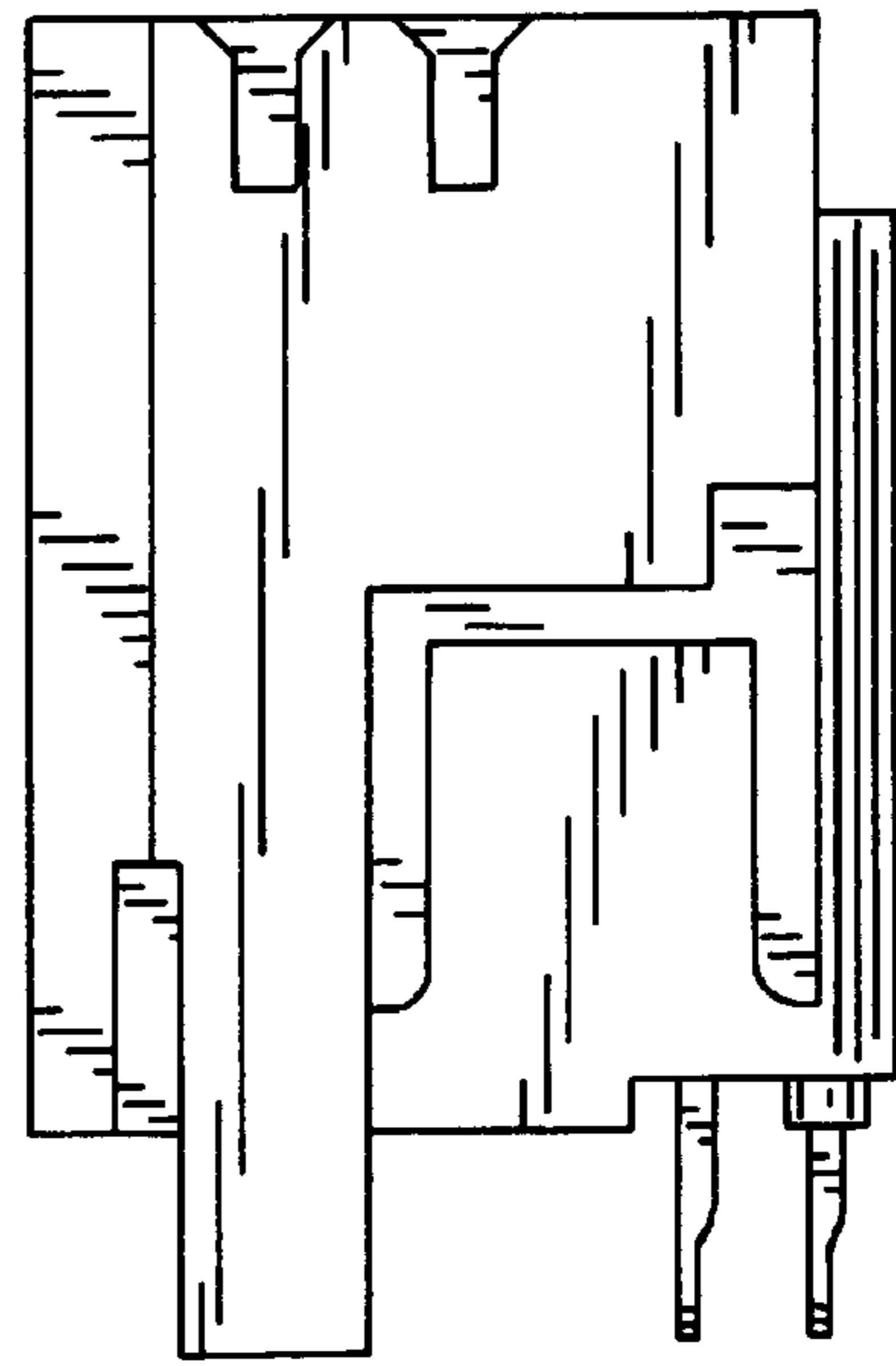


FIG. 5

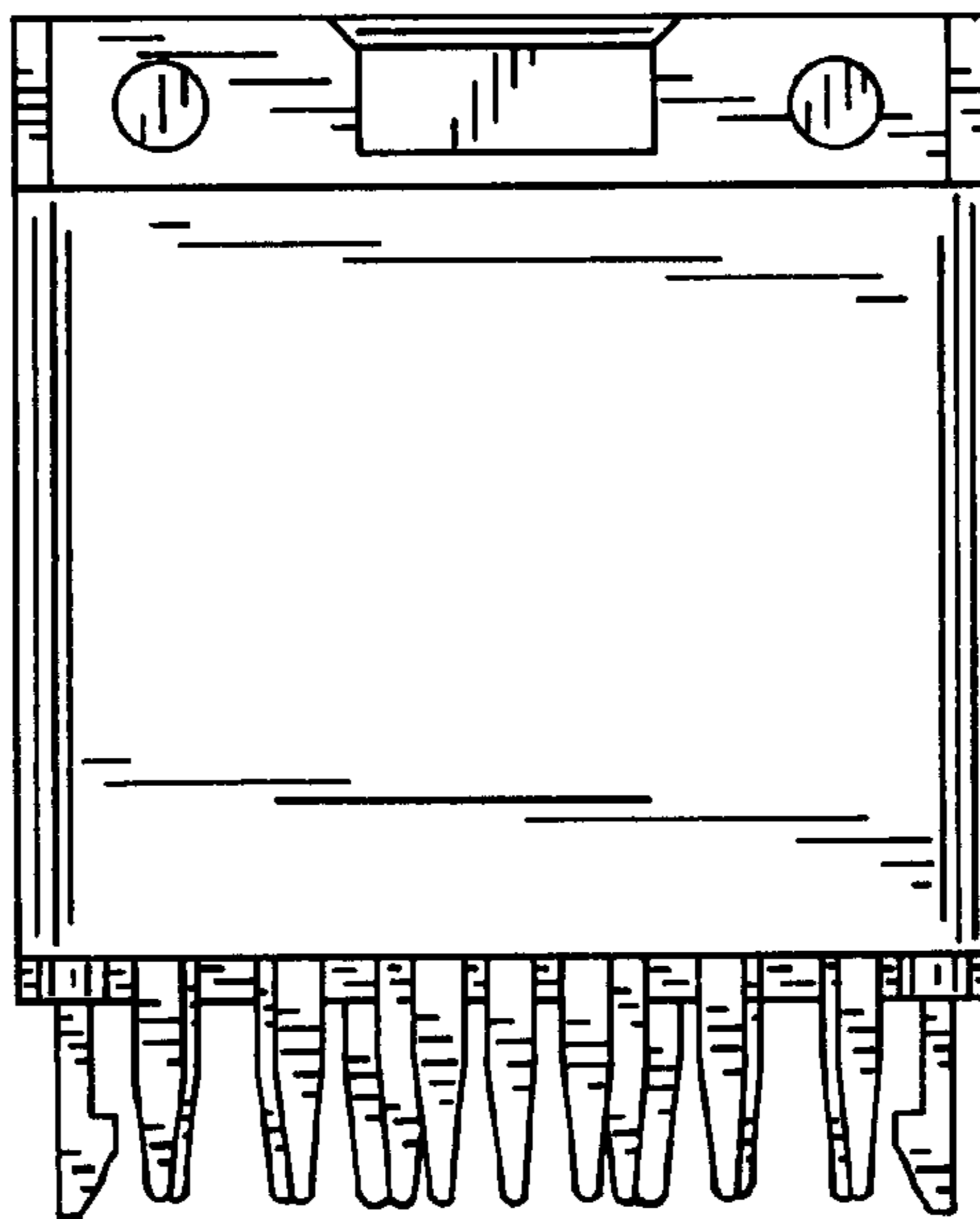


FIG. 6

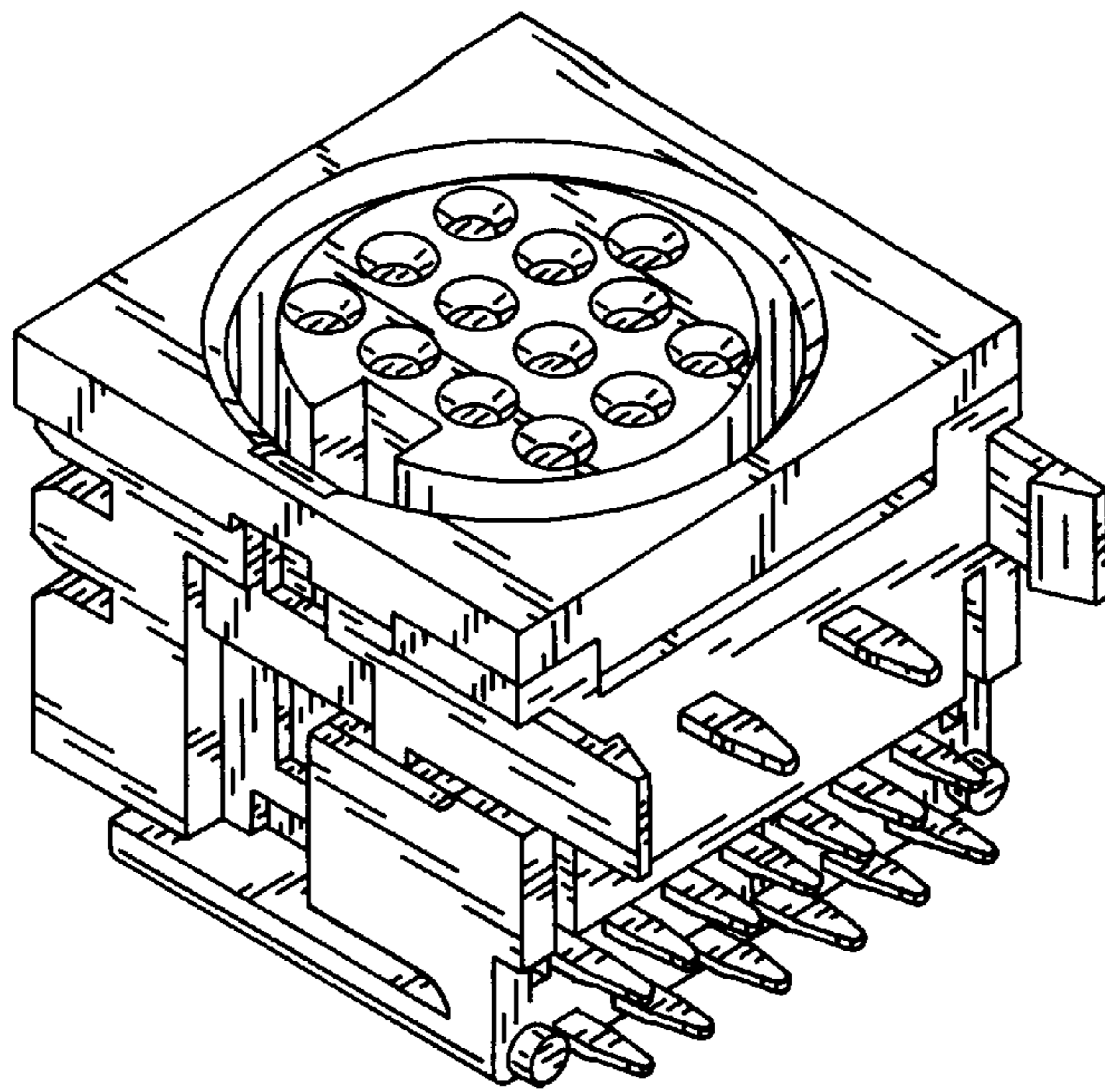


FIG. 7

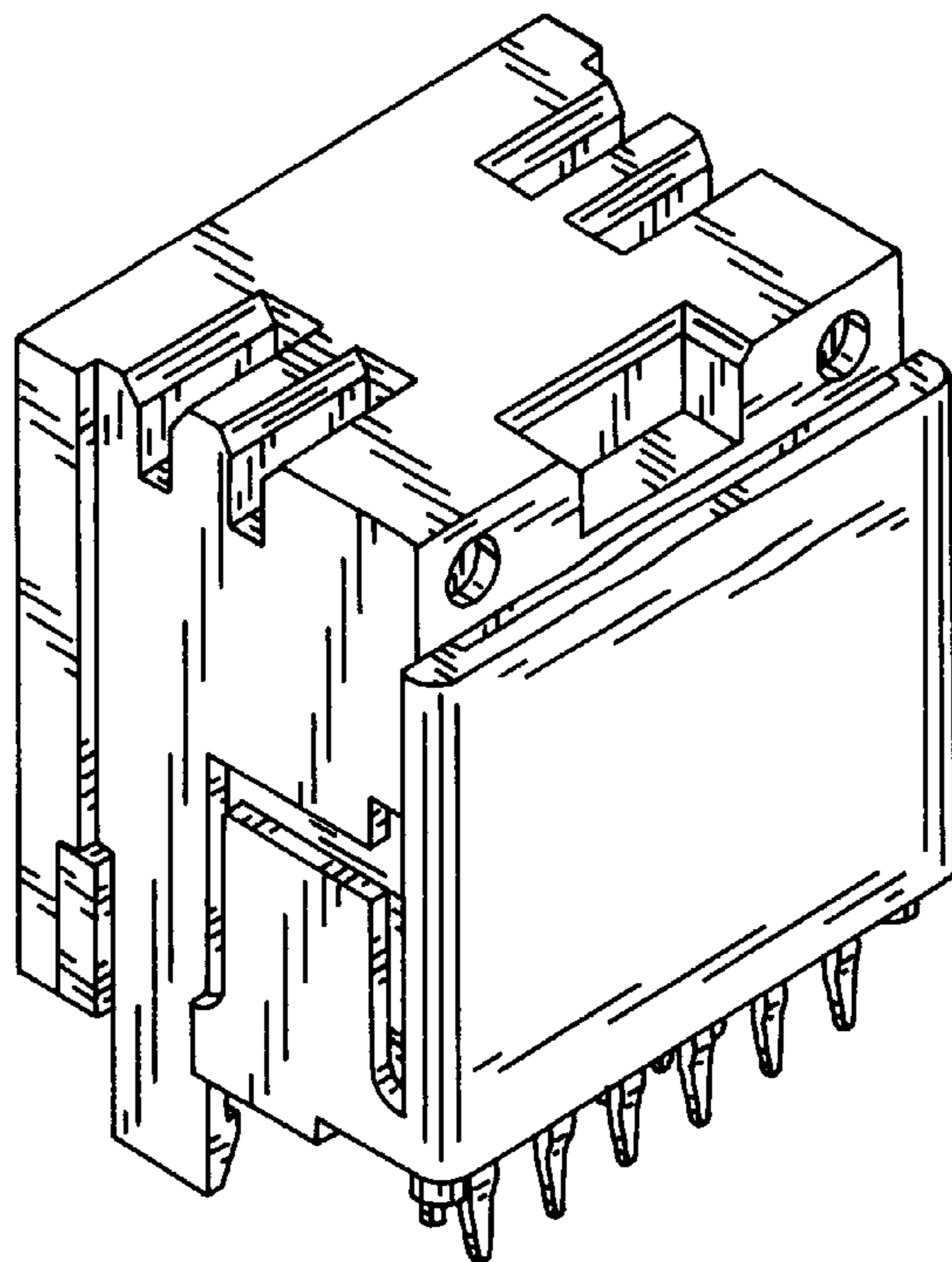


FIG. 8