



US00D439560S

(12) **United States Design Patent**
Atwell et al.

(10) **Patent No.:** **US D439,560 S**

(45) **Date of Patent:** **** Mar. 27, 2001**

(54) **GOLF CART BRA**

5,741,041 * 4/1998 Sullivan 296/100
5,944,347 * 8/1999 Pechman 280/770

(76) Inventors: **Marie L. Atwell**, 2945 Falling Brook Way, Boise, ID (US) 83706; **Heather M. Price**, 9343 Ruth Marie Dr., Middleton, ID (US) 83644

* cited by examiner

Primary Examiner—Stacia Cadmus

(74) *Attorney, Agent, or Firm*—Frank J. Dykas; Robert L. Shaver

(**) Term: **14 Years**

(21) Appl. No.: **29/108,866**

(22) Filed: **Aug. 4, 1999**

(51) **LOC (7) Cl.** **12-16**

(52) **U.S. Cl.** **D12/401**

(58) **Field of Search** D12/400, 401, D12/403; 296/98, 99.1, 100, 95.1, 136, 103, 210, 128, 141; 150/165–167, 154; 280/770, 159, 847, 848, 850; 118/504, 505, 301; 428/900, 100

(57) **CLAIM**

The ornamental design for a golf cart bra, as shown and described.

DESCRIPTION

FIG. 1 is a perspective view of a golf cart bra showing our new design. The broken lines within FIG. 1 showing the environment are for illustrative purposes only and form no part of the claimed design;

FIG. 2 is a top view of the golf cart bra;

FIG. 3 is a bottom view of the golf cart bra;

FIG. 4 is a first side view of the golf cart bra;

FIG. 5 is a second side view of the golf cart bra;

FIG. 6 is a first end view of the golf cart bra; and,

FIG. 7 is a second end view of the golf cart bra.

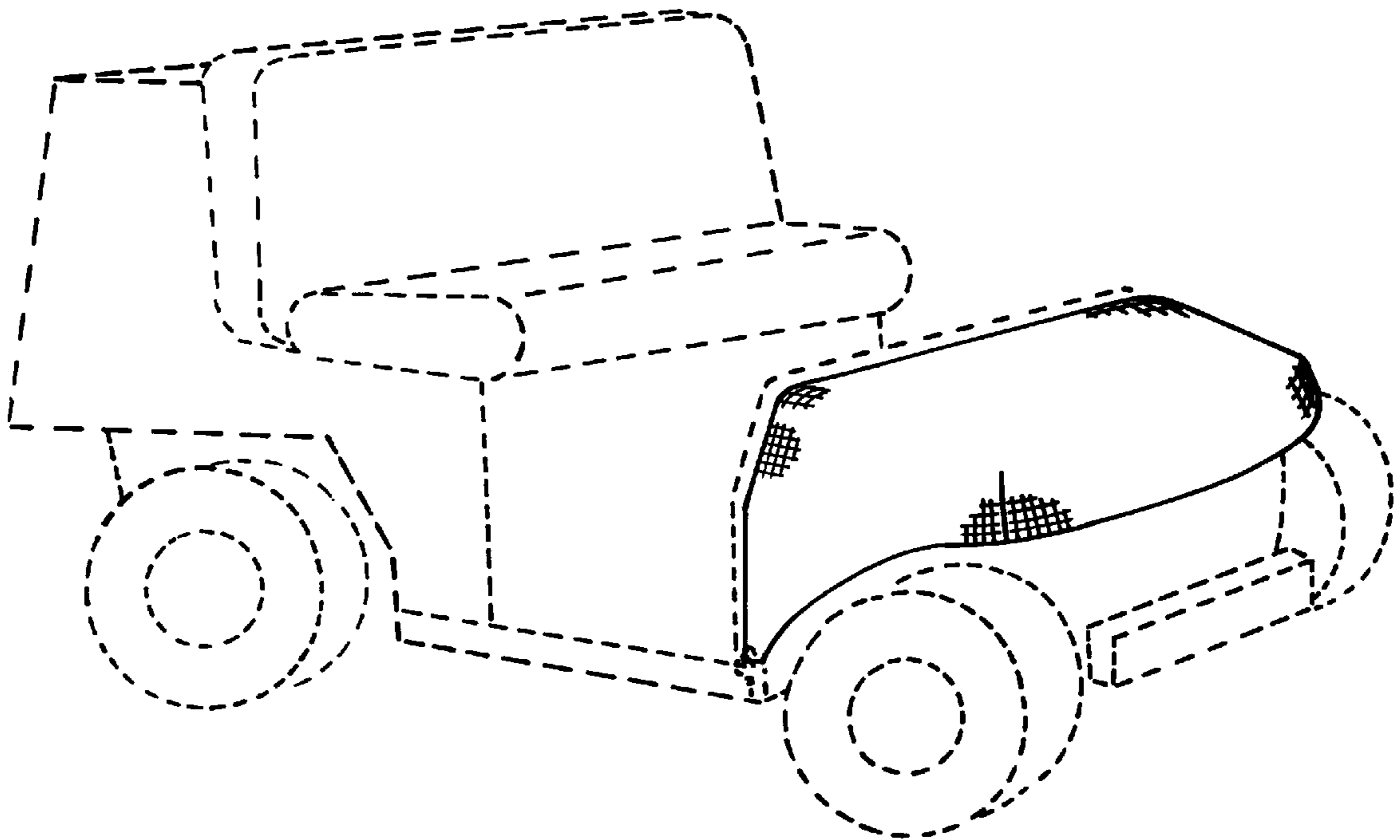
The criss-cross pattern is intended to represent fabric and is understood to repeat continuously through the circumscribed area.

(56) **References Cited**

U.S. PATENT DOCUMENTS

D. 400,845	*	11/1998	Miller et al.	D12/401
4,219,218	*	8/1980	Waldon	280/770
4,997,229	*	3/1991	Swanson	296/136
5,158,324	*	10/1992	Flesher	280/770
5,217,275	*	6/1993	Ridge	296/136 X
5,280,989	*	1/1994	Castillo	296/136

1 Claim, 3 Drawing Sheets



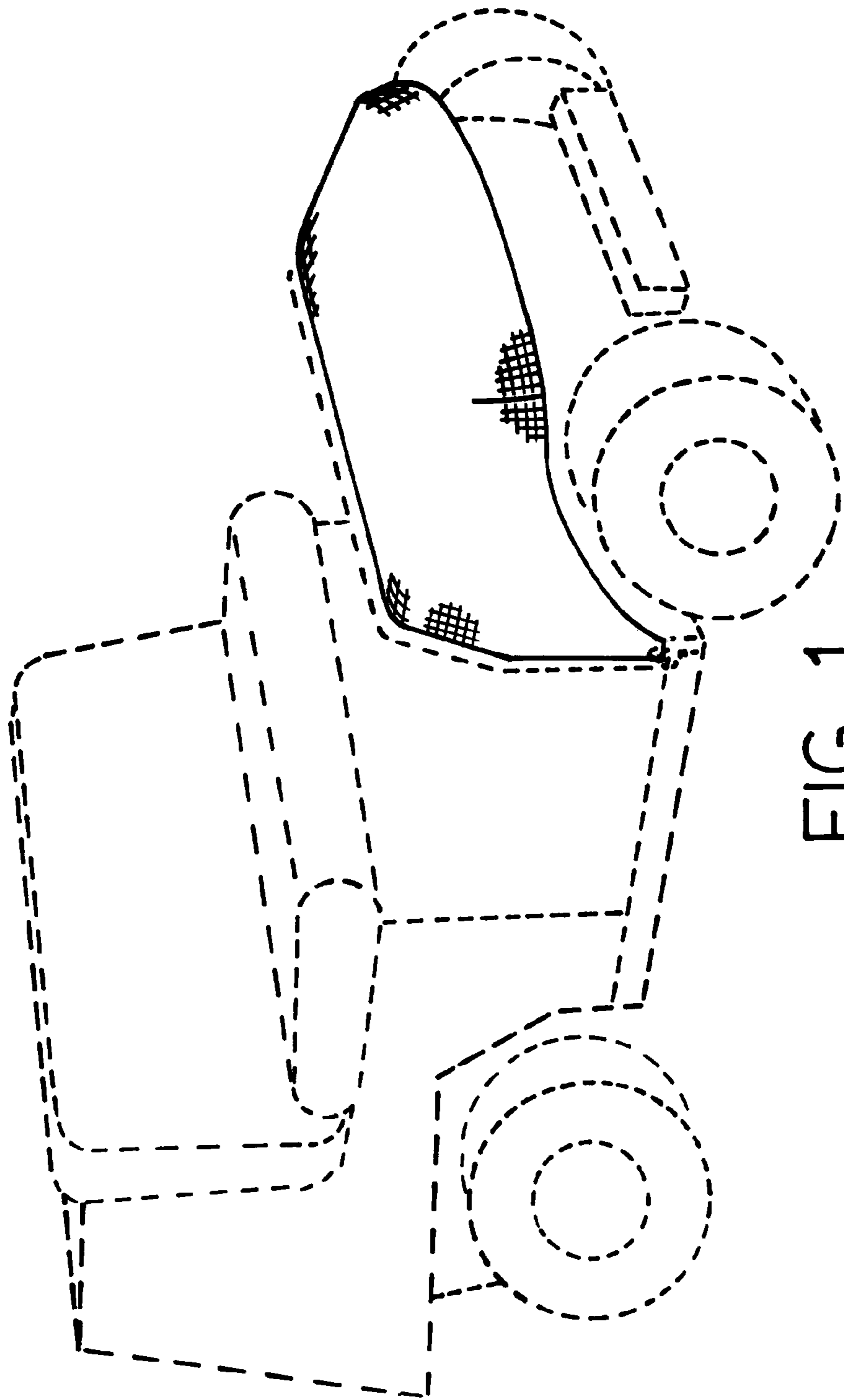


FIG. 1

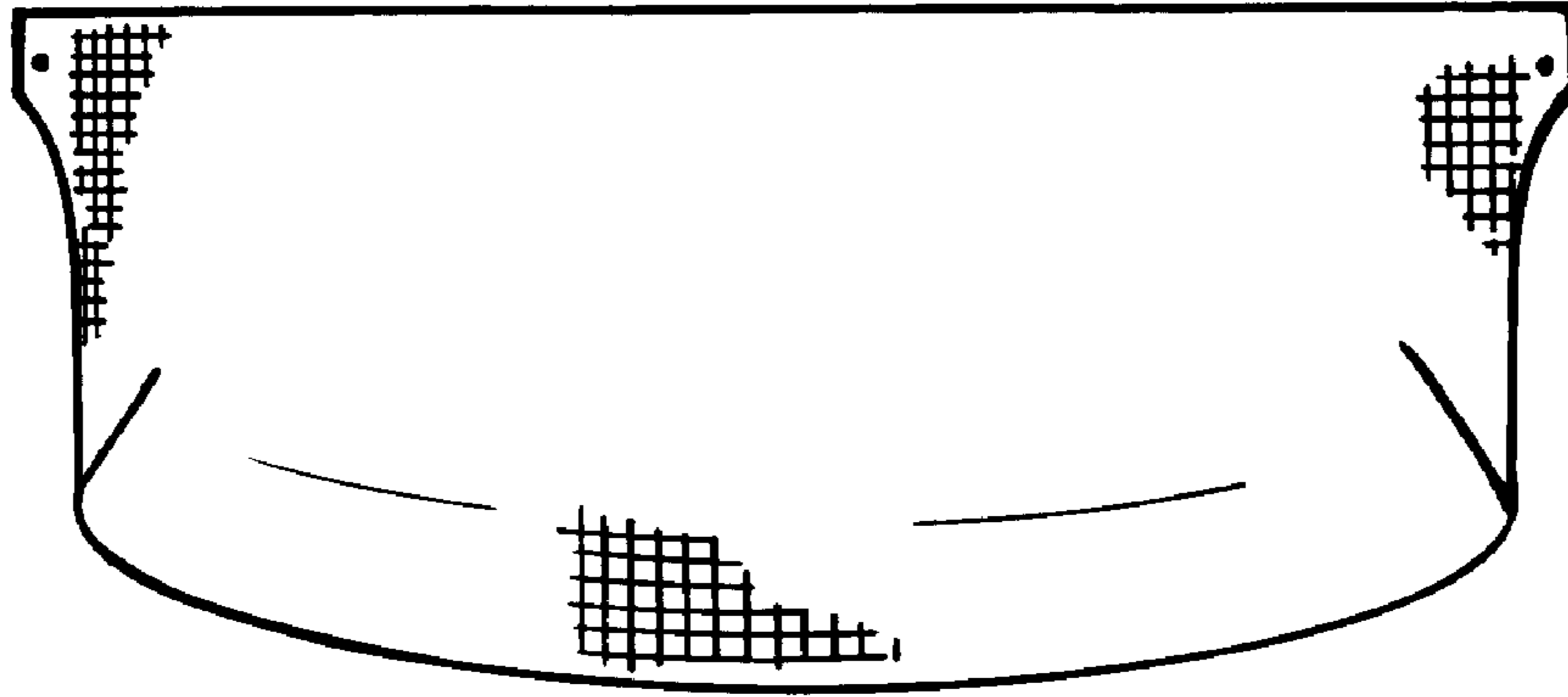


FIG. 2

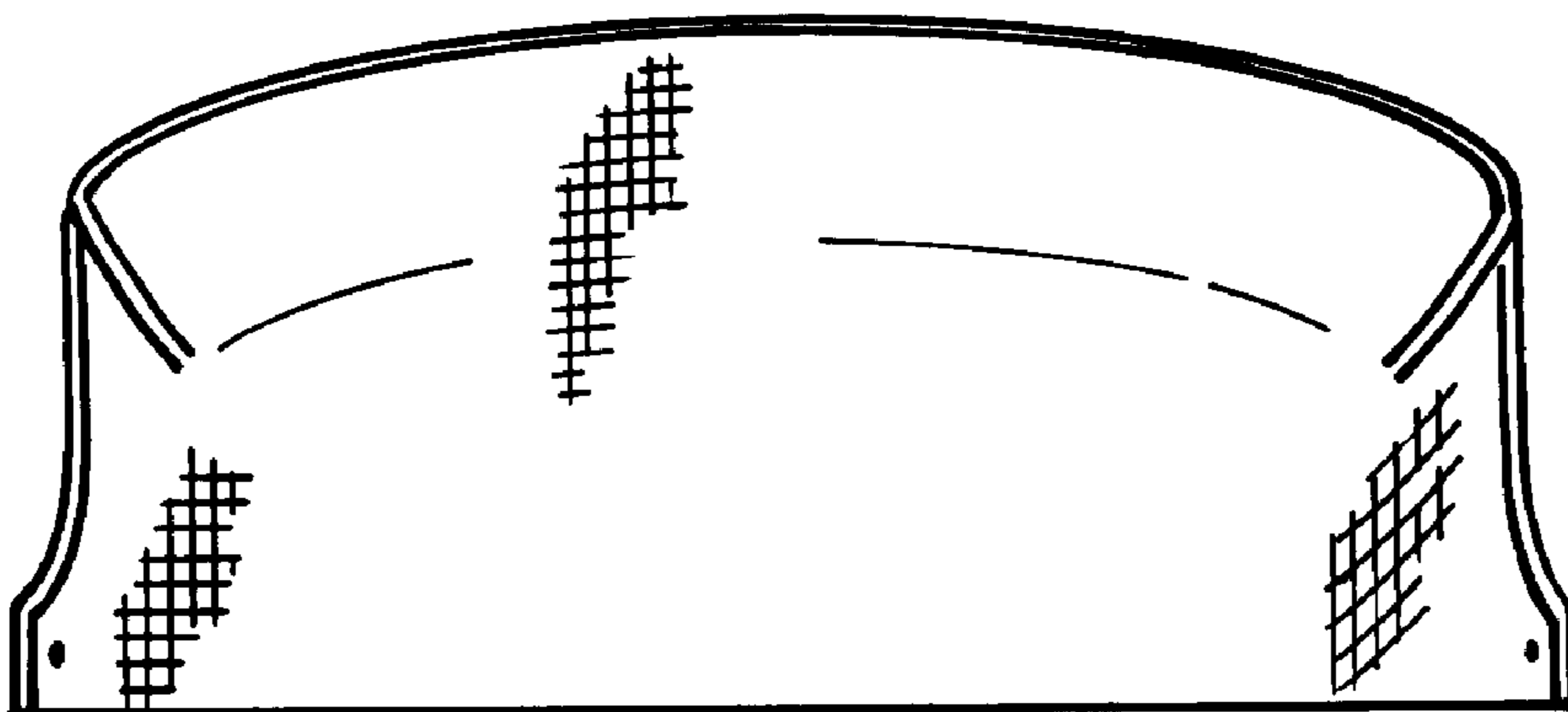


FIG. 3

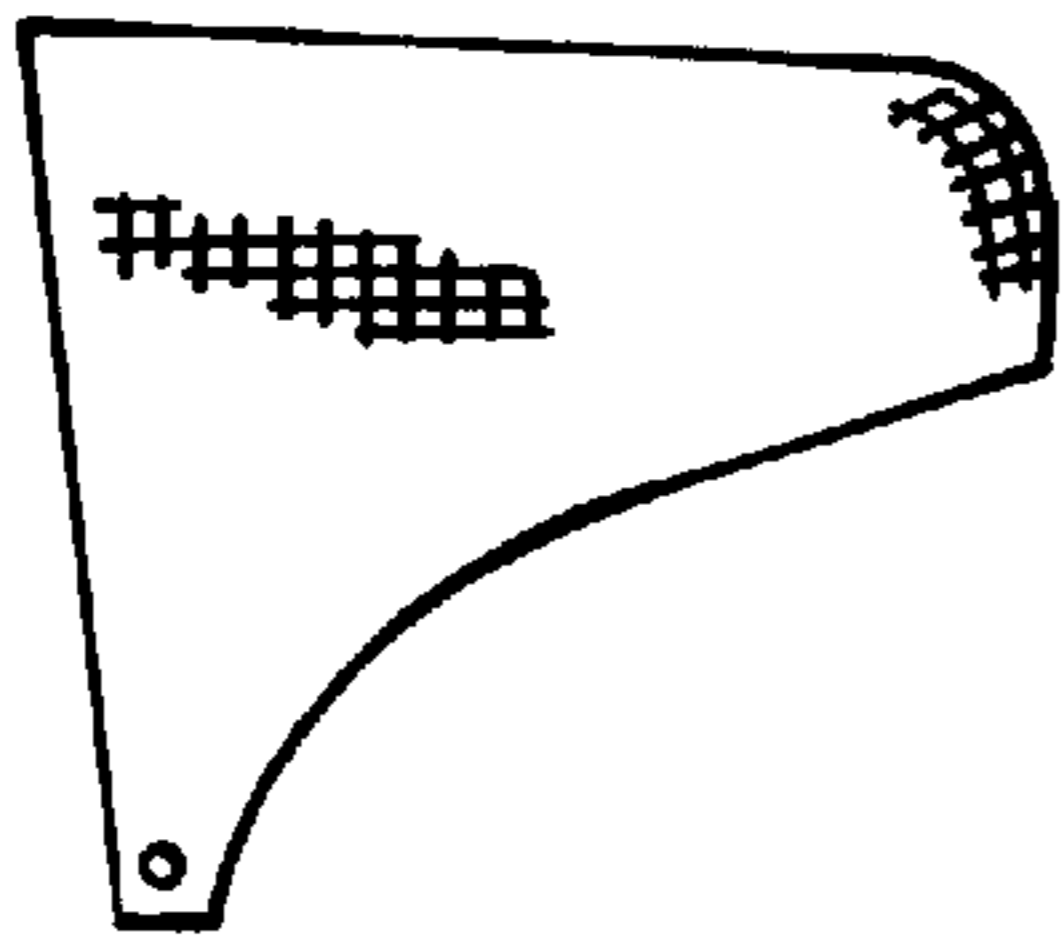


FIG. 4

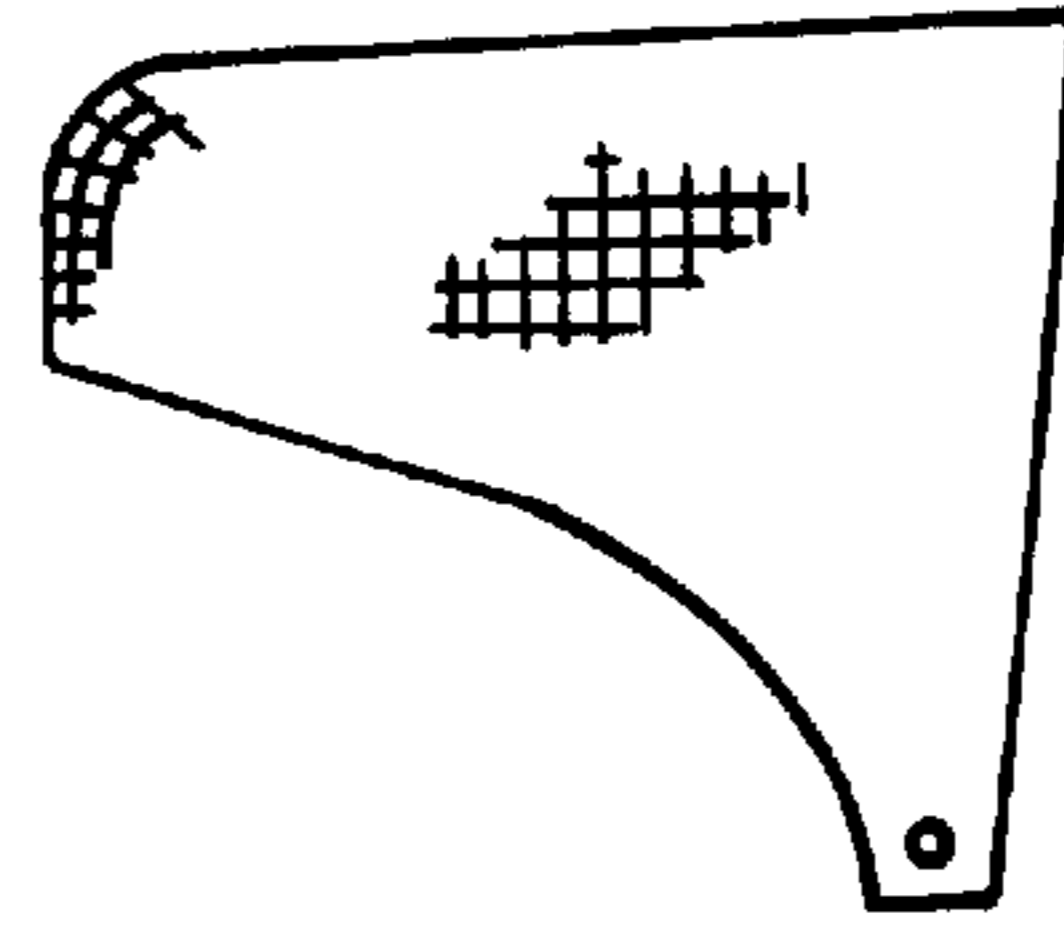


FIG. 5

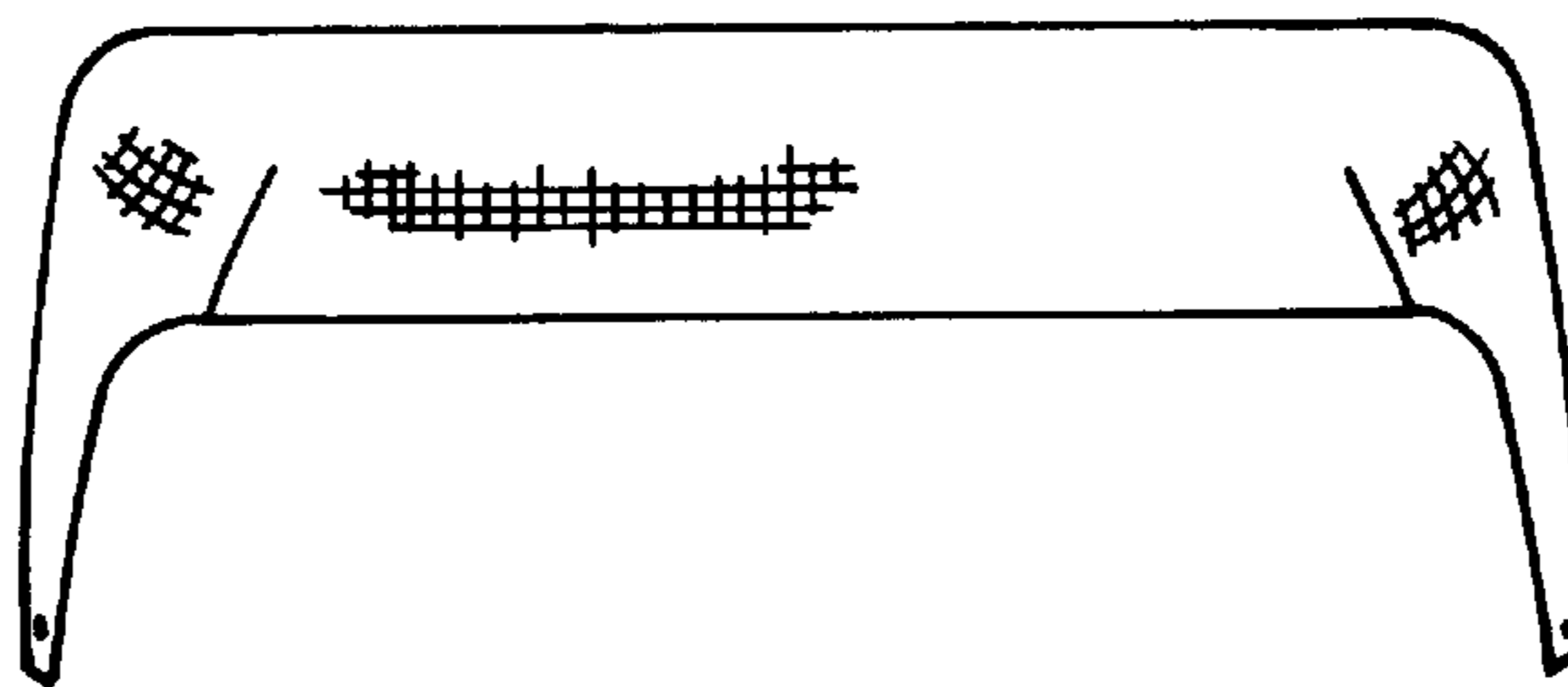


FIG. 6

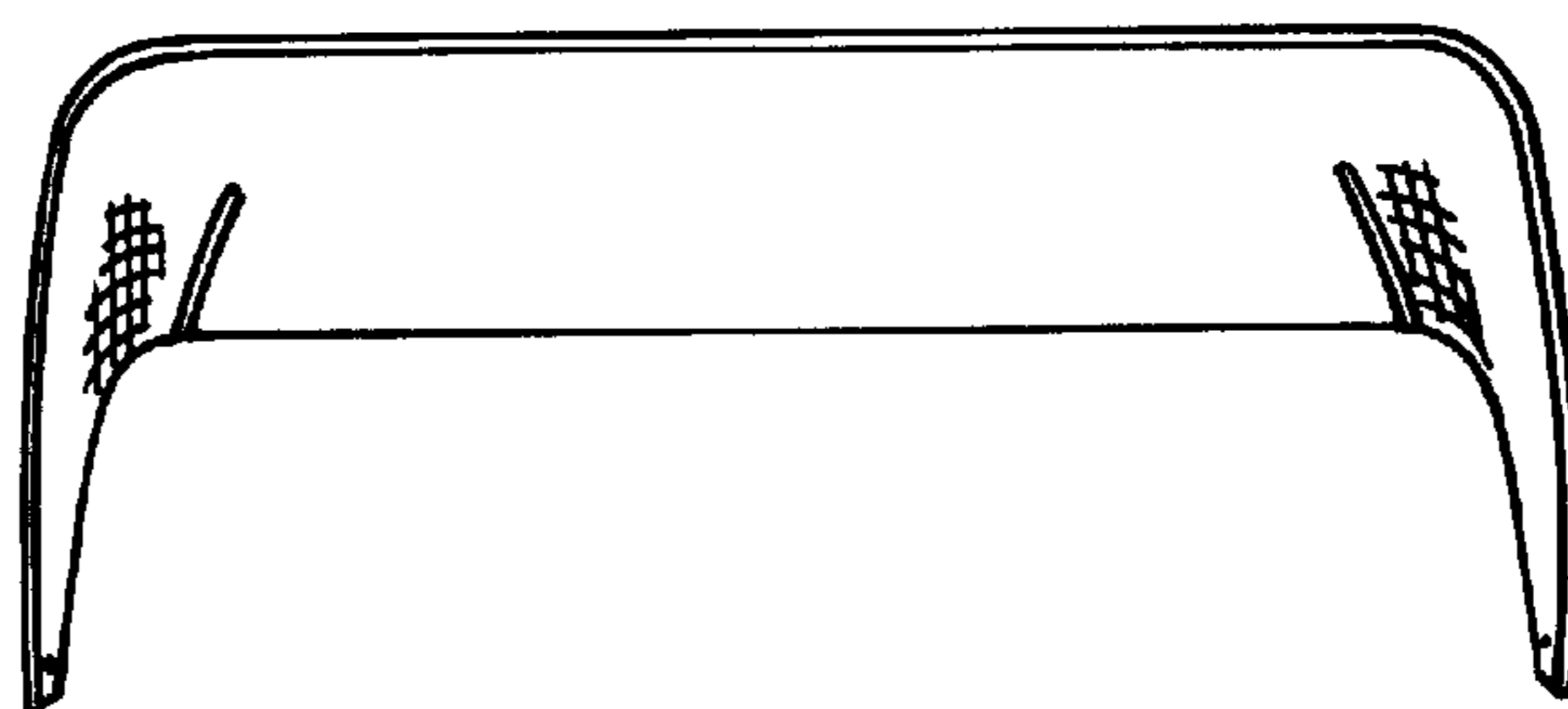


FIG. 7