



US00D439559S

(12) **United States Design Patent**
Caro

(10) **Patent No.:** **US D439,559 S**

(45) **Date of Patent:** **** Mar. 27, 2001**

(54) **RECEIVER MOUNTED UMBRELLA STAND AND TRAY**

(76) **Inventor:** **Charles R. Caro**, 2420 N. Woodlawn,
Building 100-A, Wichita, KS (US)
67220

(**) **Term:** **14 Years**

(21) **Appl. No.:** **29/111,921**

(22) **Filed:** **Oct. 6, 1999**

(51) **LOC (7) Cl.** **12-16**

(52) **U.S. Cl.** **D12/400**

(58) **Field of Search** D12/400, 406,
D12/415, 203; 224/281, 488-489, 498-506,
518-521, 400-402, 273, 522-530, 511-512;
414/462; 182/90-92; D6/429-430, 418-419;
280/415.1, 504, 769, 163; 248/286-287

(56) **References Cited**

U.S. PATENT DOCUMENTS

- D. 305,632 * 1/1990 Kraklio D12/400
- D. 309,065 * 7/1990 Huff D6/429
- D. 370,452 * 6/1996 Beasley D12/203
- 4,813,584 * 3/1989 Wiley 224/488 X
- 4,906,015 * 3/1990 Lacroix et al. 280/415.1
- 5,368,209 * 11/1994 Hill 280/415.1 X

- 5,397,147 * 3/1995 Ducharme et al. 280/415.1
- 5,570,826 * 11/1996 Garbes et al. 224/524
- 5,800,294 * 9/1998 Naecker, Jr. 224/488 X
- 5,853,278 * 12/1998 Frantz 414/462
- 5,950,617 * 9/1999 Lorenz 224/488 X

* cited by examiner

Primary Examiner—Stacia Cadmus

(74) *Attorney, Agent, or Firm*—Richard W. Hanes

(57) **CLAIM**

The ornamental design for a receiver mounted umbrella stand and tray, as shown and described.

DESCRIPTION

FIG. 1 is a perspective view of the receiver mounted umbrella stand and tray with an umbrella and a fragmentarily shown truck shown in dashed lines.

FIG. 2 is a front view of the present invention;

FIG. 3 is a rear view of the present invention;

FIG. 4 is a right side view of the present invention;

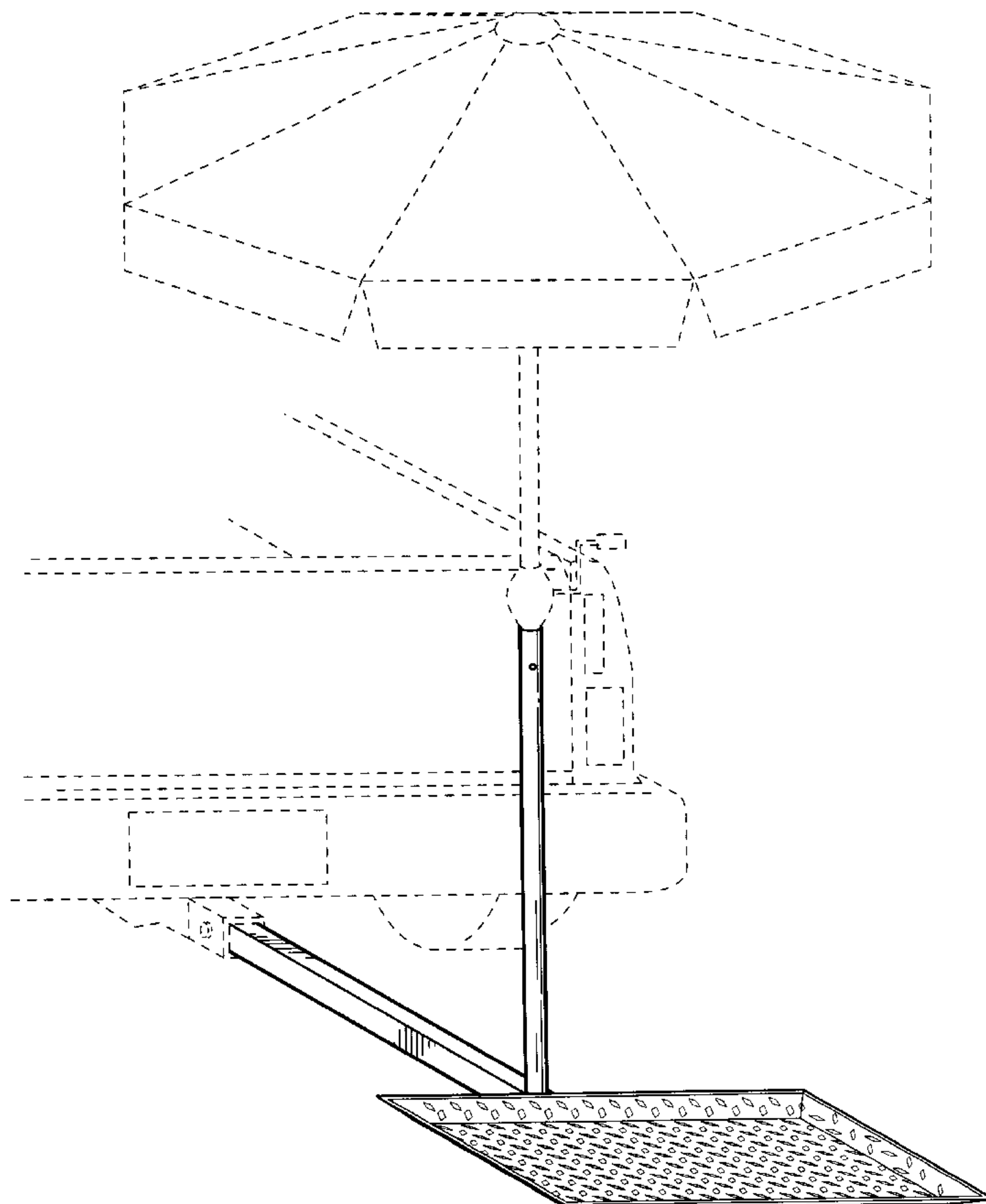
FIG. 5 is a left side view of the present invention;

FIG. 6 is a top view of the present invention; and,

FIG. 7 is a bottom view of the present invention.

The broken line showing of environment is for illustrative purposes only and forms no part of the claimed design.

1 Claim, 4 Drawing Sheets



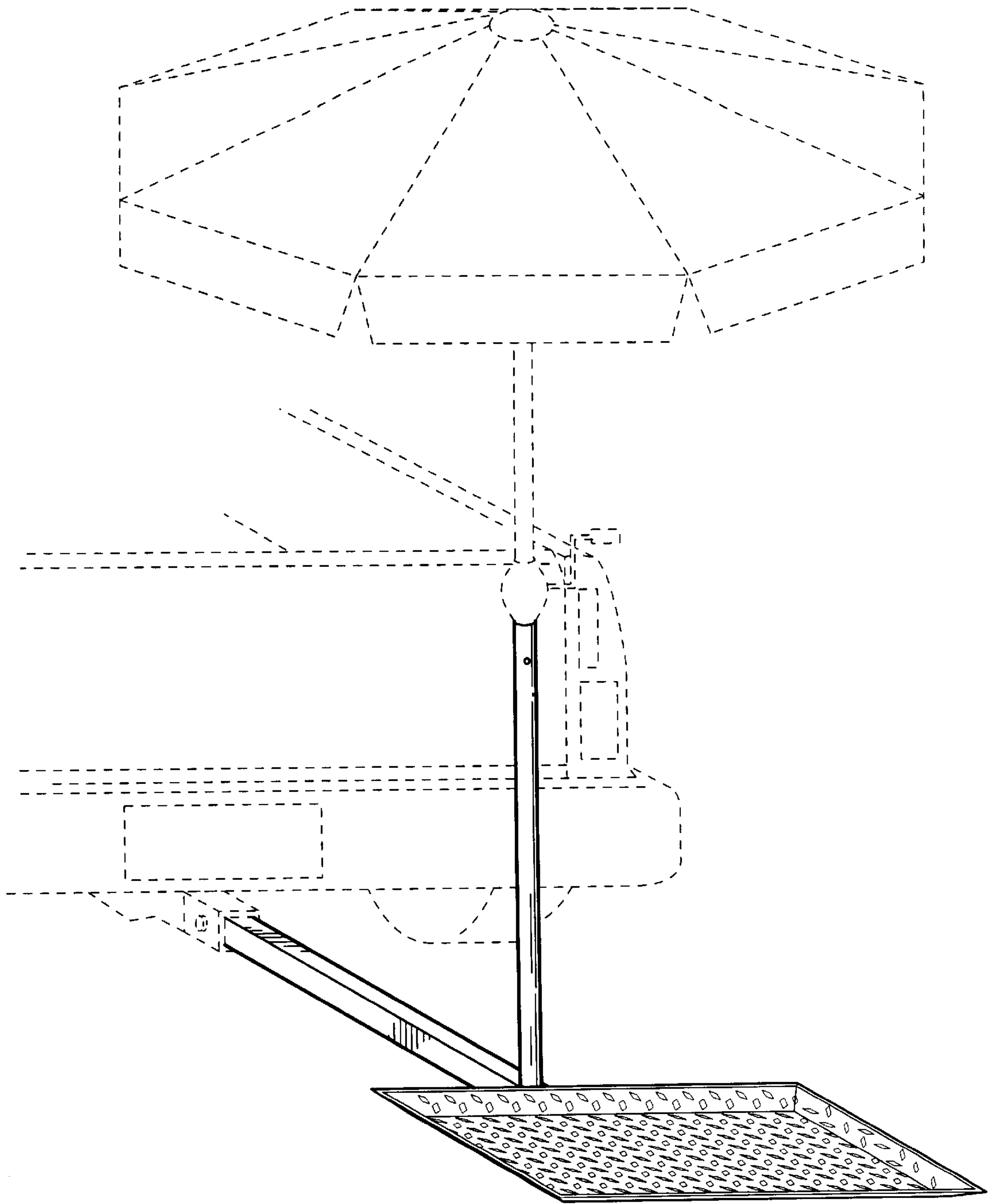


FIG. 1

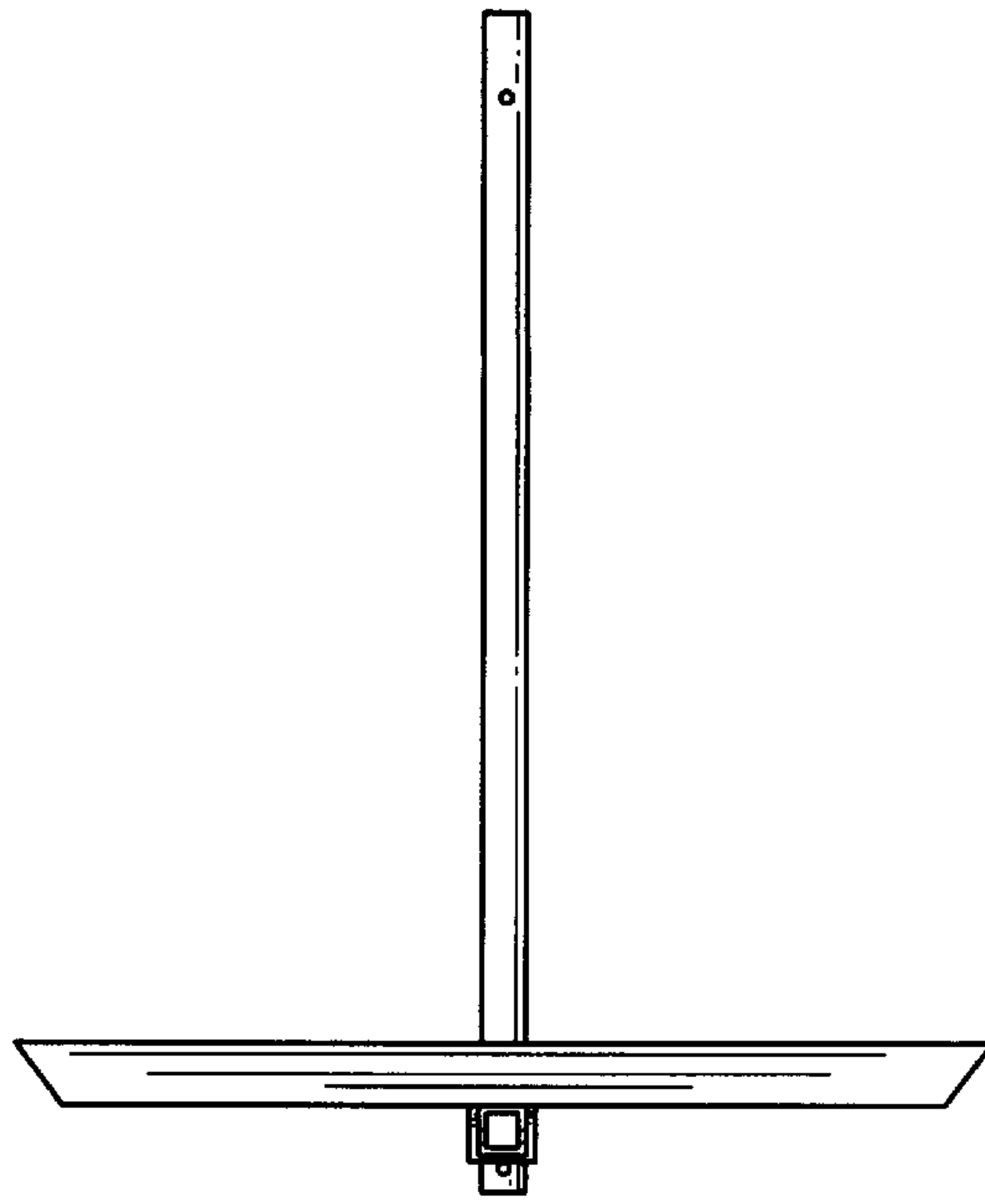


FIG. 2

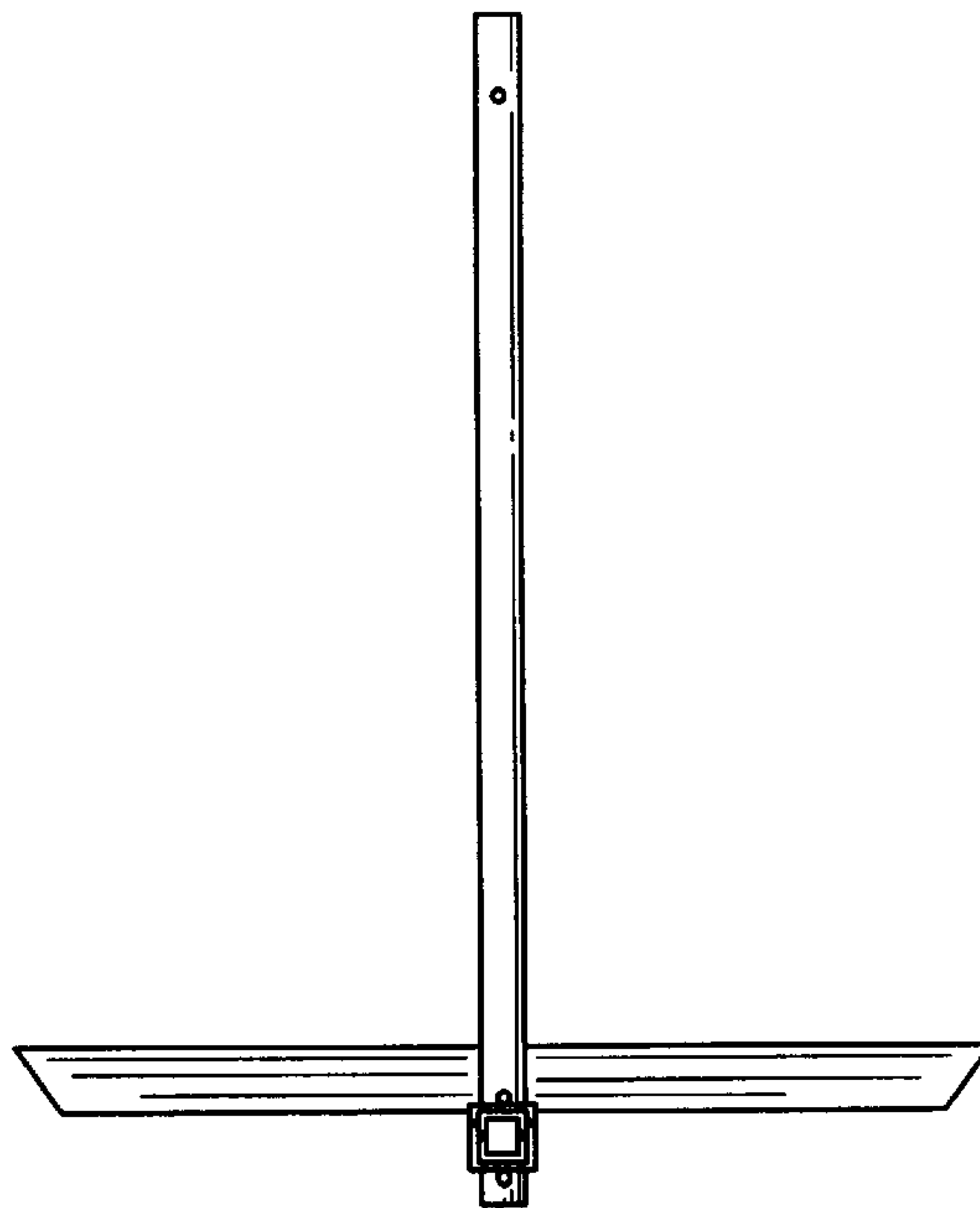


FIG. 3

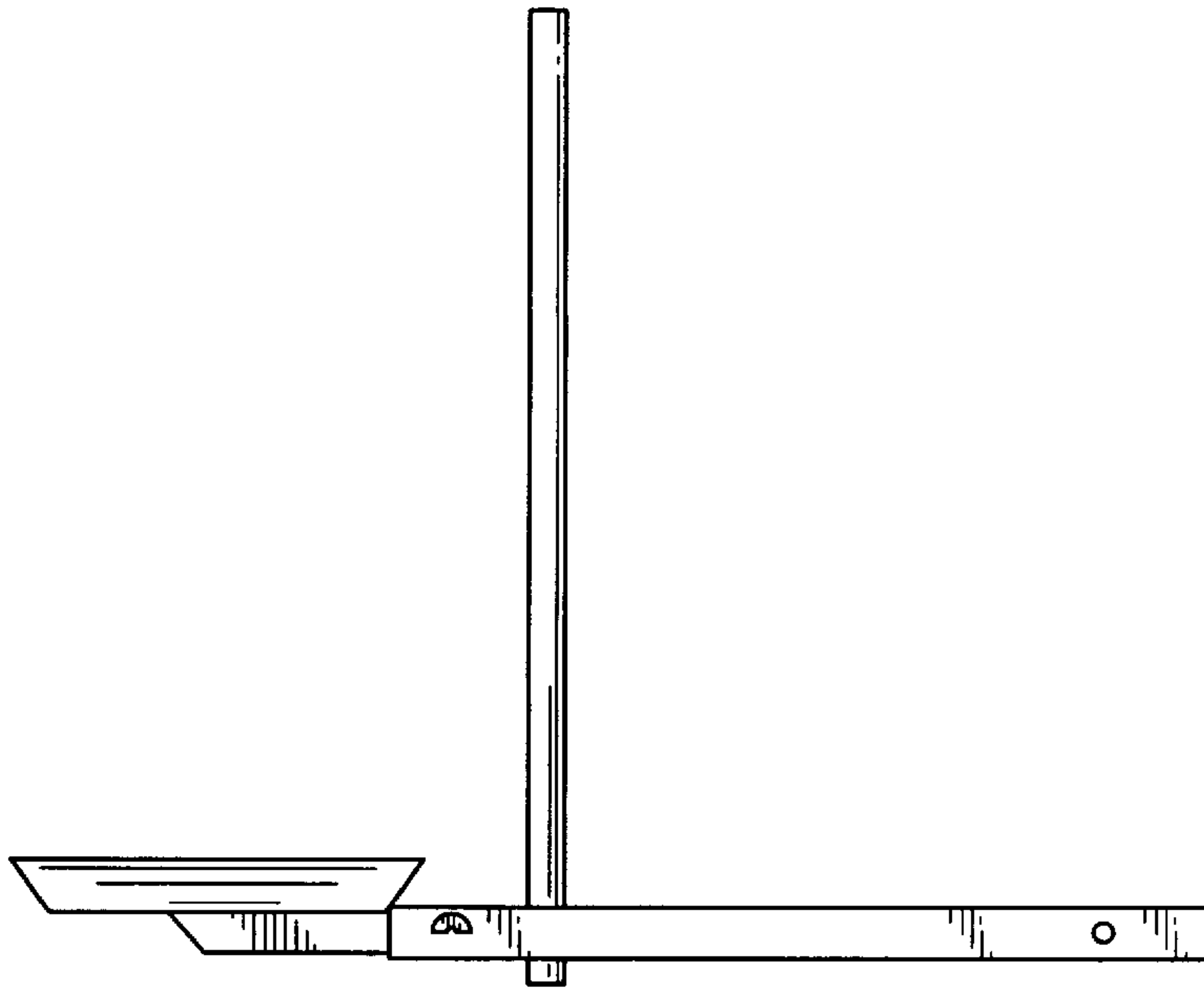


FIG. 4

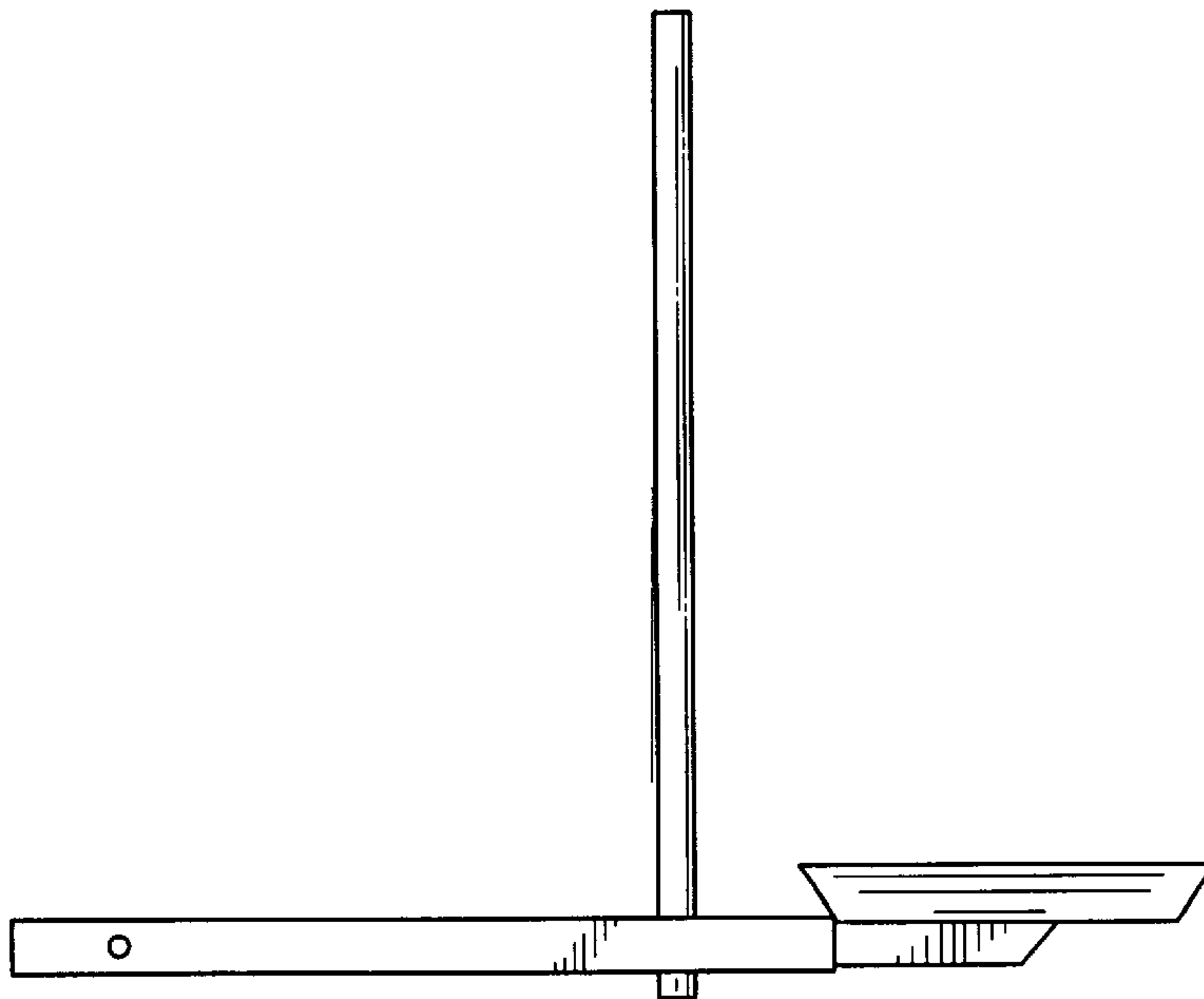


FIG. 5

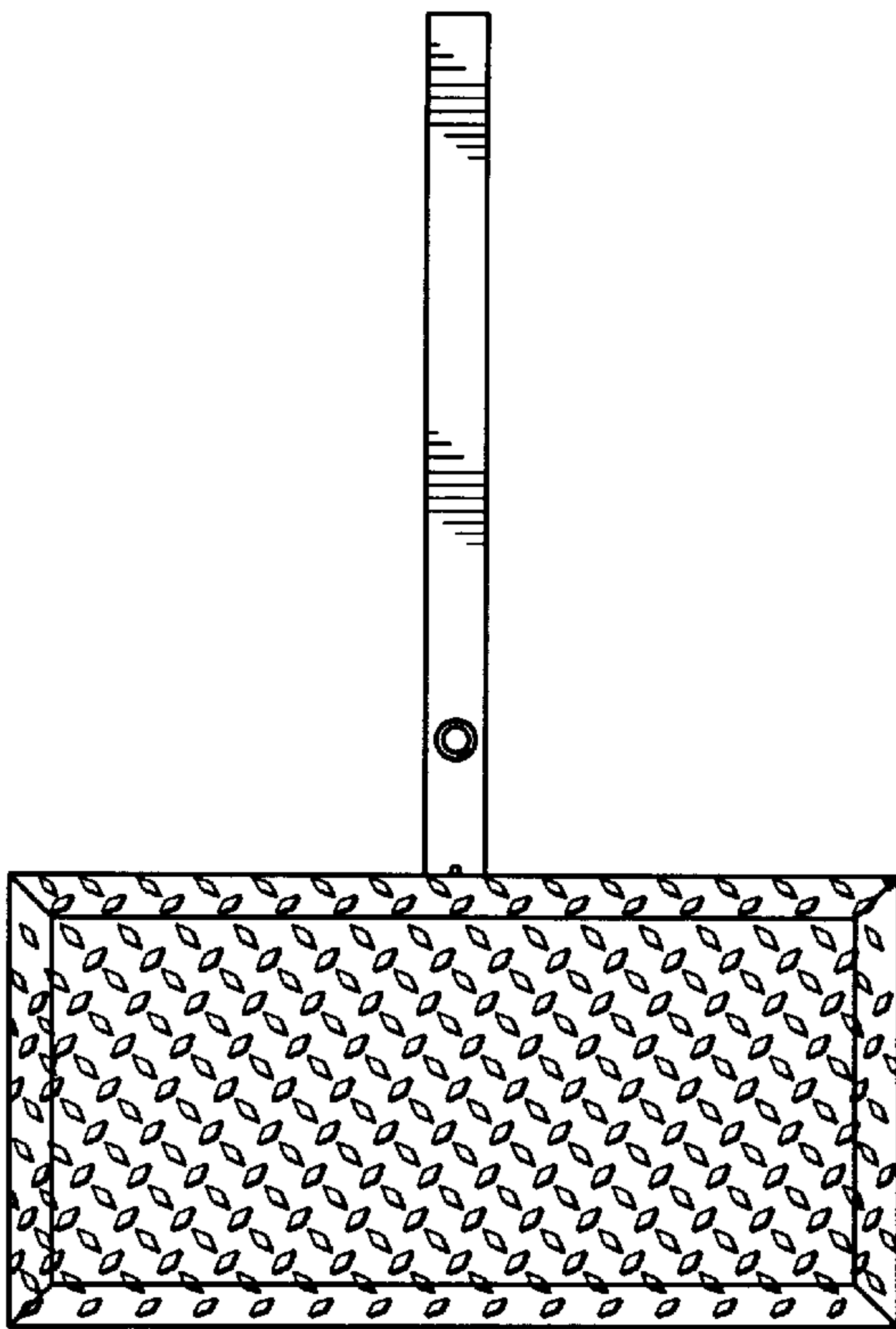


FIG. 6

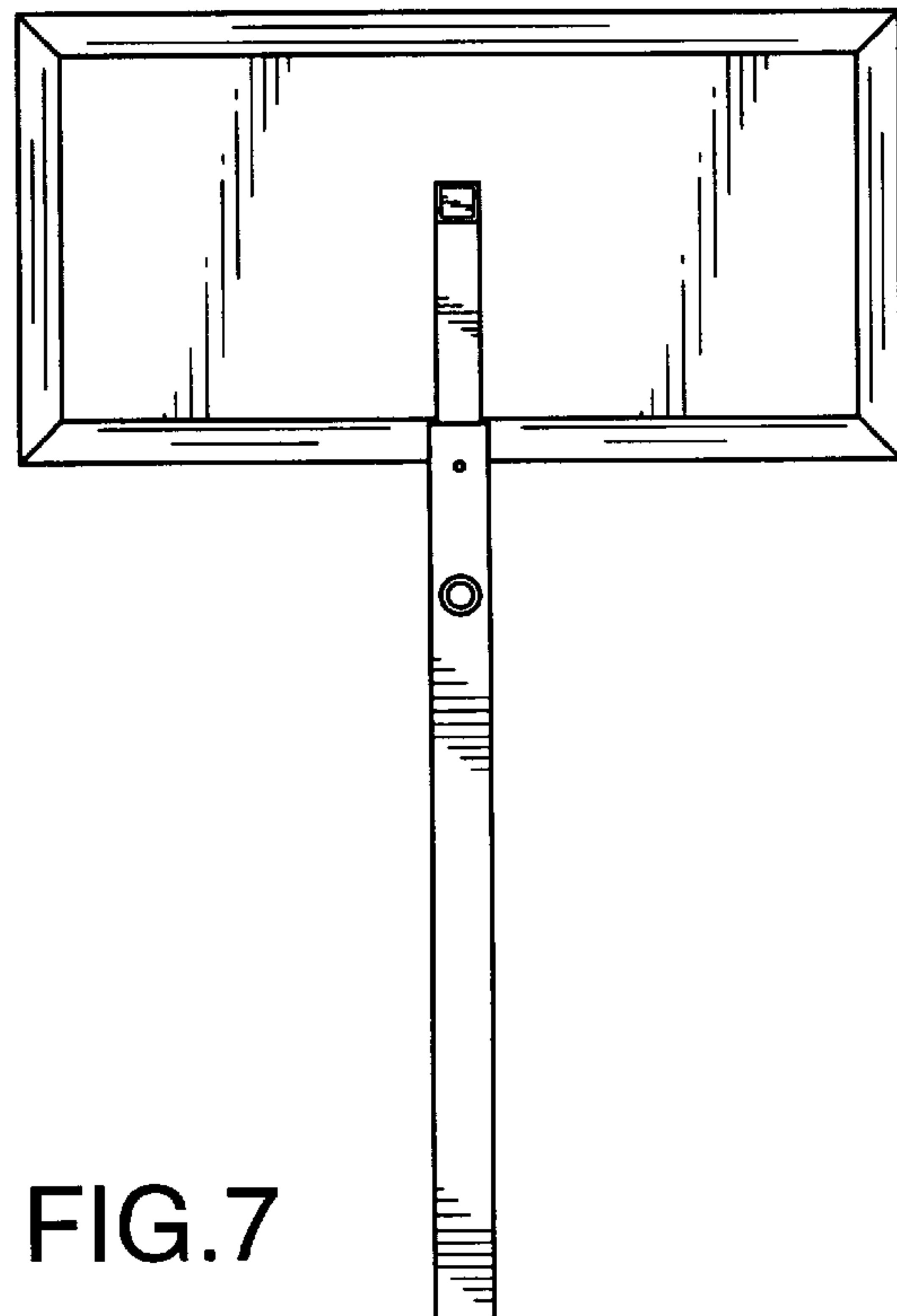


FIG. 7