



US00D439557S

(12) **United States Design Patent**  
**Phillips et al.**

(10) **Patent No.:** **US D439,557 S**

(45) **Date of Patent:** **\*\* Mar. 27, 2001**

(54) **TIRE RIM PROTECTOR**

4,811,991	3/1989	Moreno et al.	.....	301/37
5,435,630	7/1995	Tucker	.....	301/37
5,524,972	6/1996	Cailor et al.	.....	301/37

(76) Inventors: **M. Shane Phillips**, 2444-H S. Holden Rd., Greensboro, NC (US) 27407; **C. Todd Phillips**, 172 Scarlet Way, Lawrenceville, GA (US) 30045

\* cited by examiner

*Primary Examiner*—Stacia Cadmus

(\*\*) Term: **14 Years**

(57) **CLAIM**

(21) Appl. No.: **29/115,307**

The ornamental design for a tire rim protector, as shown and described.

(22) Filed: **Dec. 13, 1999**

**DESCRIPTION**

(51) **LOC (7) Cl.** ..... **12-16**

(52) **U.S. Cl.** ..... **D12/213**

(58) **Field of Search** ..... D12/200, 400, D12/213, 204; D9/454, 452; D7/354, 358, 391-392.1; 301/37.1, 37.26, 37.36, 37.42, 108.1-108.5; 220/908, 912

FIG. 1 is a front elevational view of a tire rim protector embodying our design, the tire being shown in dotted lines forms no part of our design;

FIG. 2 is a rear elevational view of the tire rim protector as shown in FIG. 1;

FIG. 3 is a right side elevational view of the tire rim protector as shown in FIG. 1, the left side elevational view being a mirror image thereof;

FIG. 4 is a top plan view of the tire rim protector as shown in FIG. 1;

FIG. 5 is a bottom plan view of the tire rim protector as shown in FIG. 1; and,

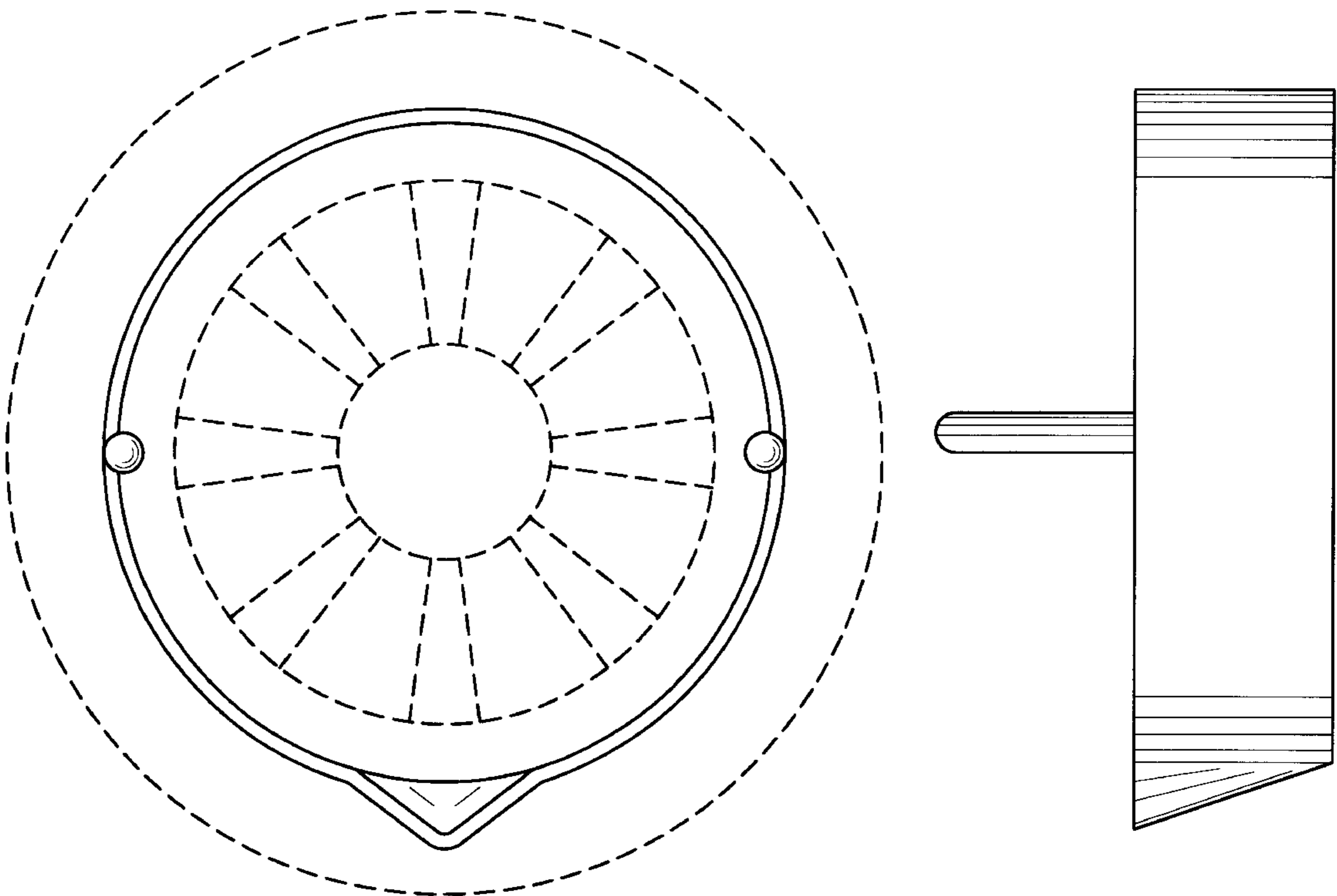
FIG. 6 is a cross-sectional view of the tire rim protector as shown in FIG. 2 as seen along lines 6-6.

(56) **References Cited**

**U.S. PATENT DOCUMENTS**

D. 343,379	*	1/1994	Dockins	.....	D12/213
D. 371,337	*	7/1996	Williams	.....	D12/213
D. 377,332	*	1/1997	Cruz, III	.....	D12/213
D. 379,172	*	5/1997	Hale	.....	D12/213
D. 387,725	*	12/1997	Cochran et al.	.....	D12/213
D. 390,181	*	2/1998	Morrison	.....	D12/213
D. 402,614	*	12/1998	Martinez	.....	D12/213
D. 418,102	*	12/1999	Schehr	.....	D12/213

**1 Claim, 4 Drawing Sheets**



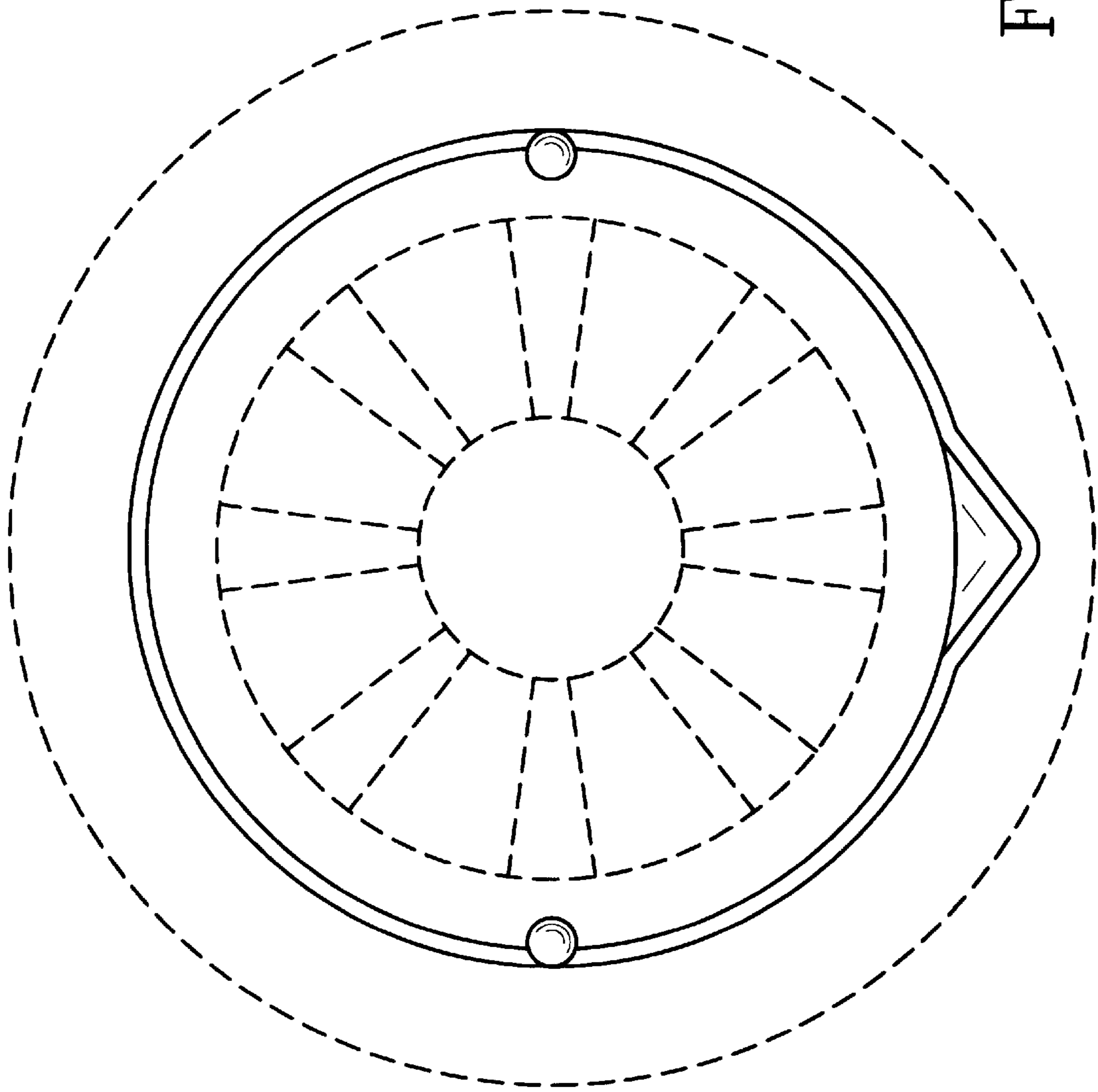


FIG. 1

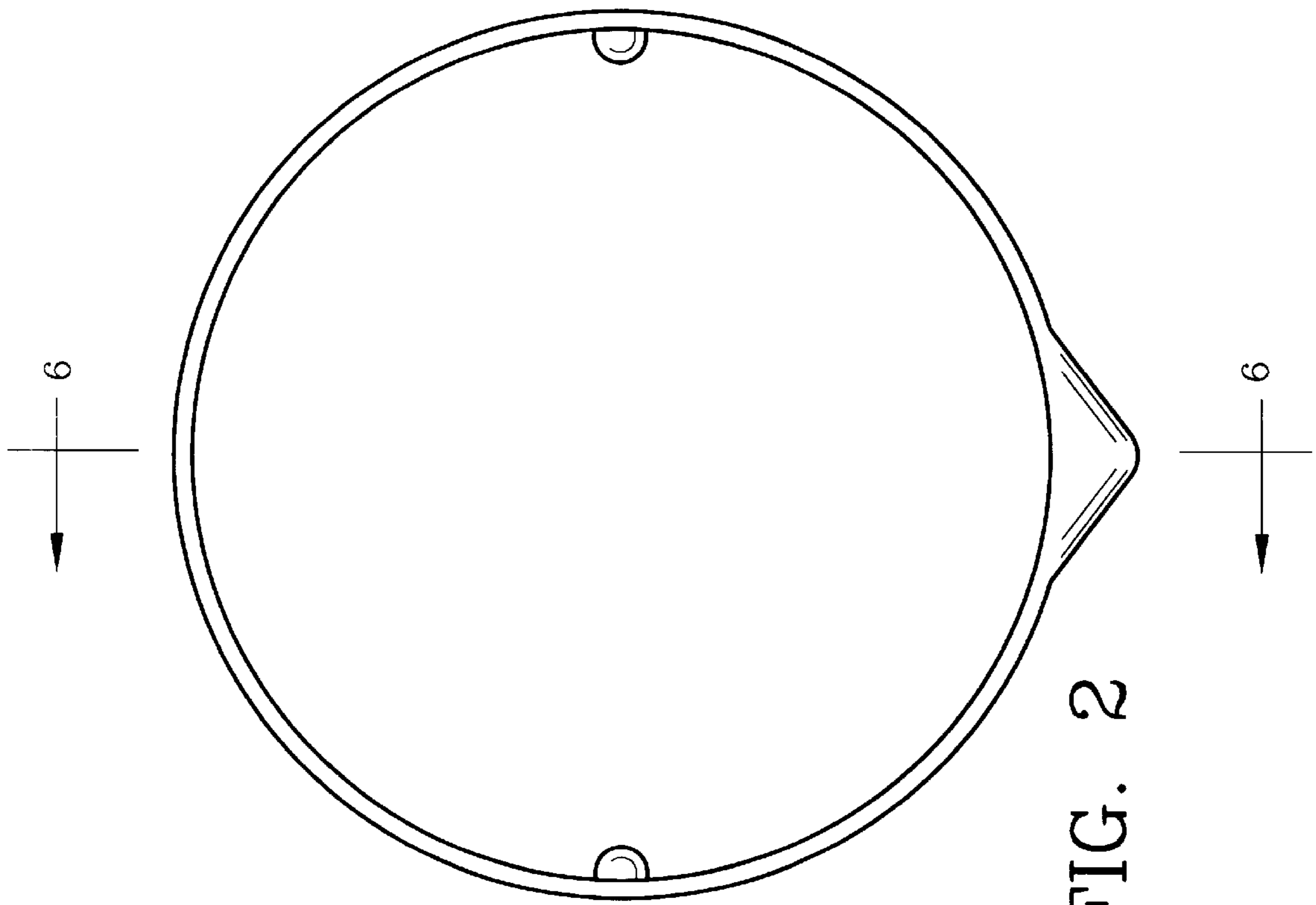


FIG. 2

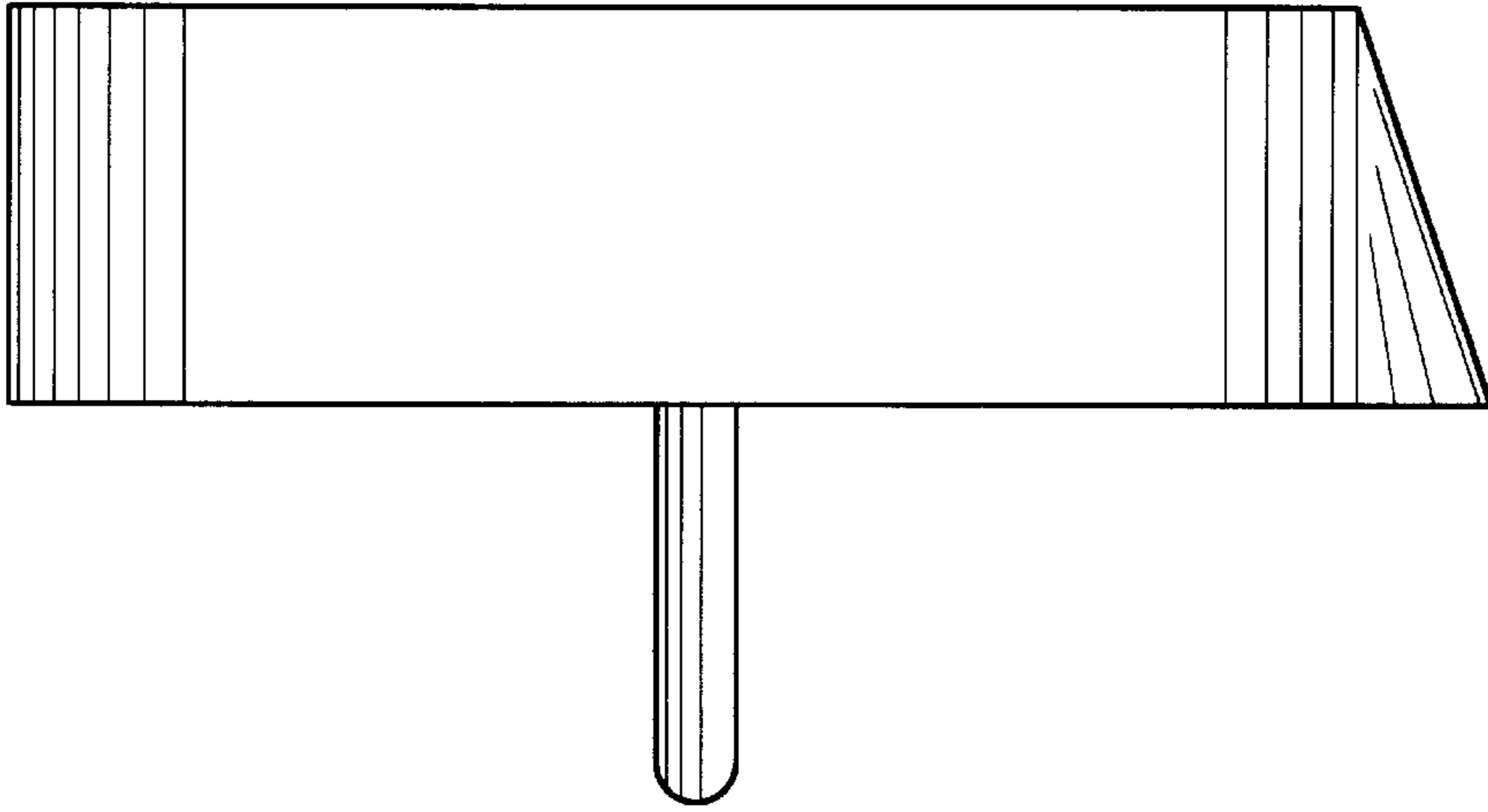


FIG. 3

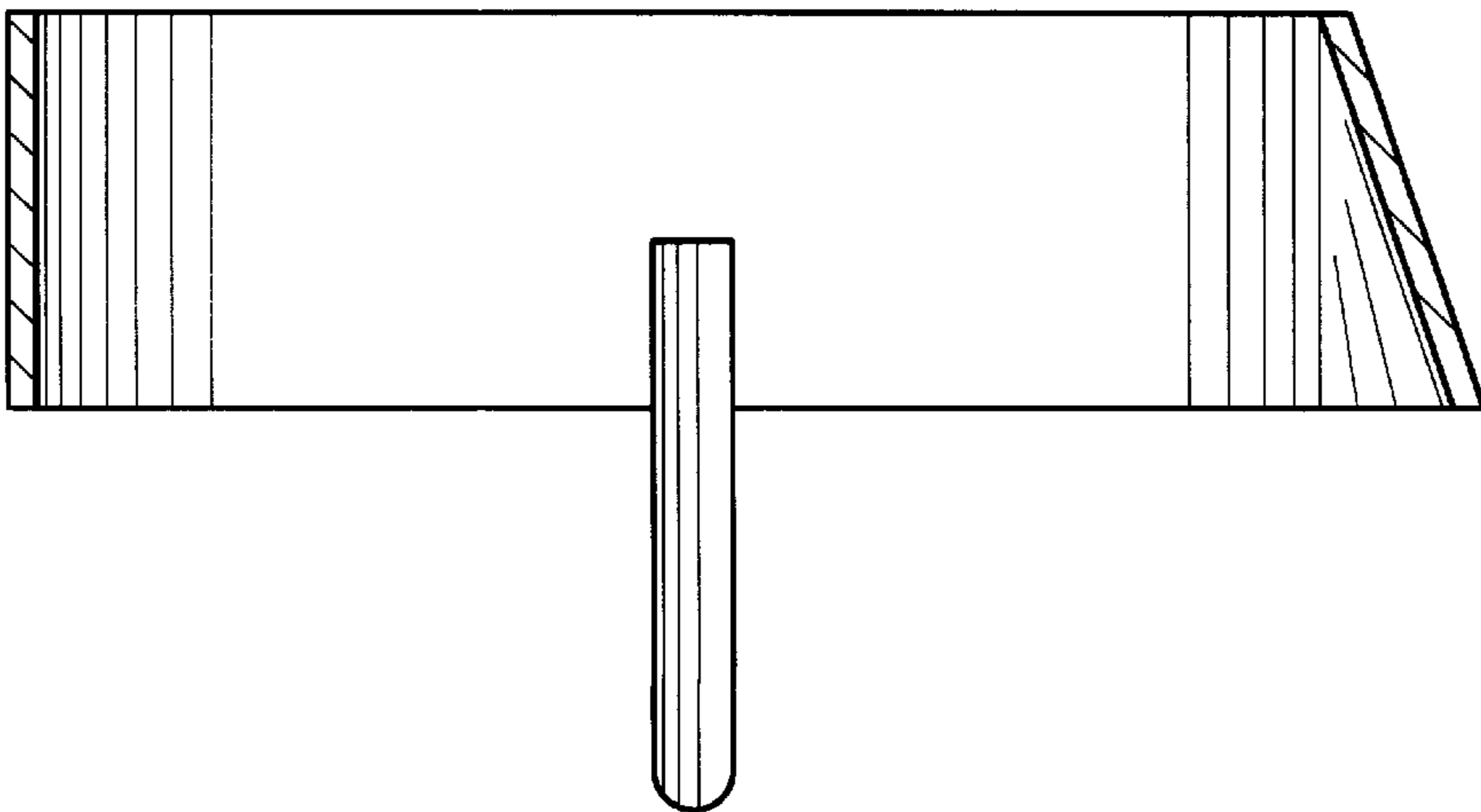


FIG. 6

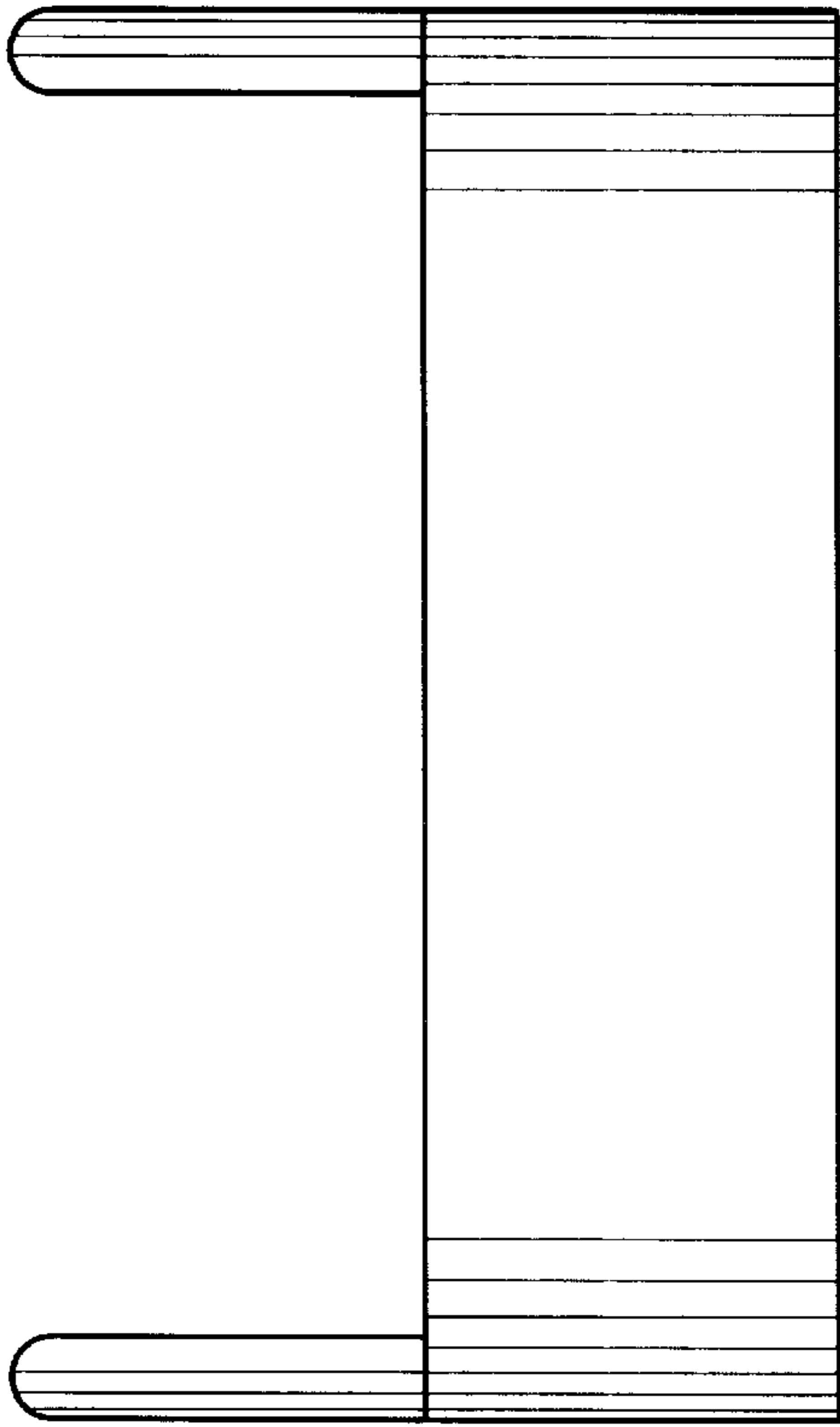


FIG. 4

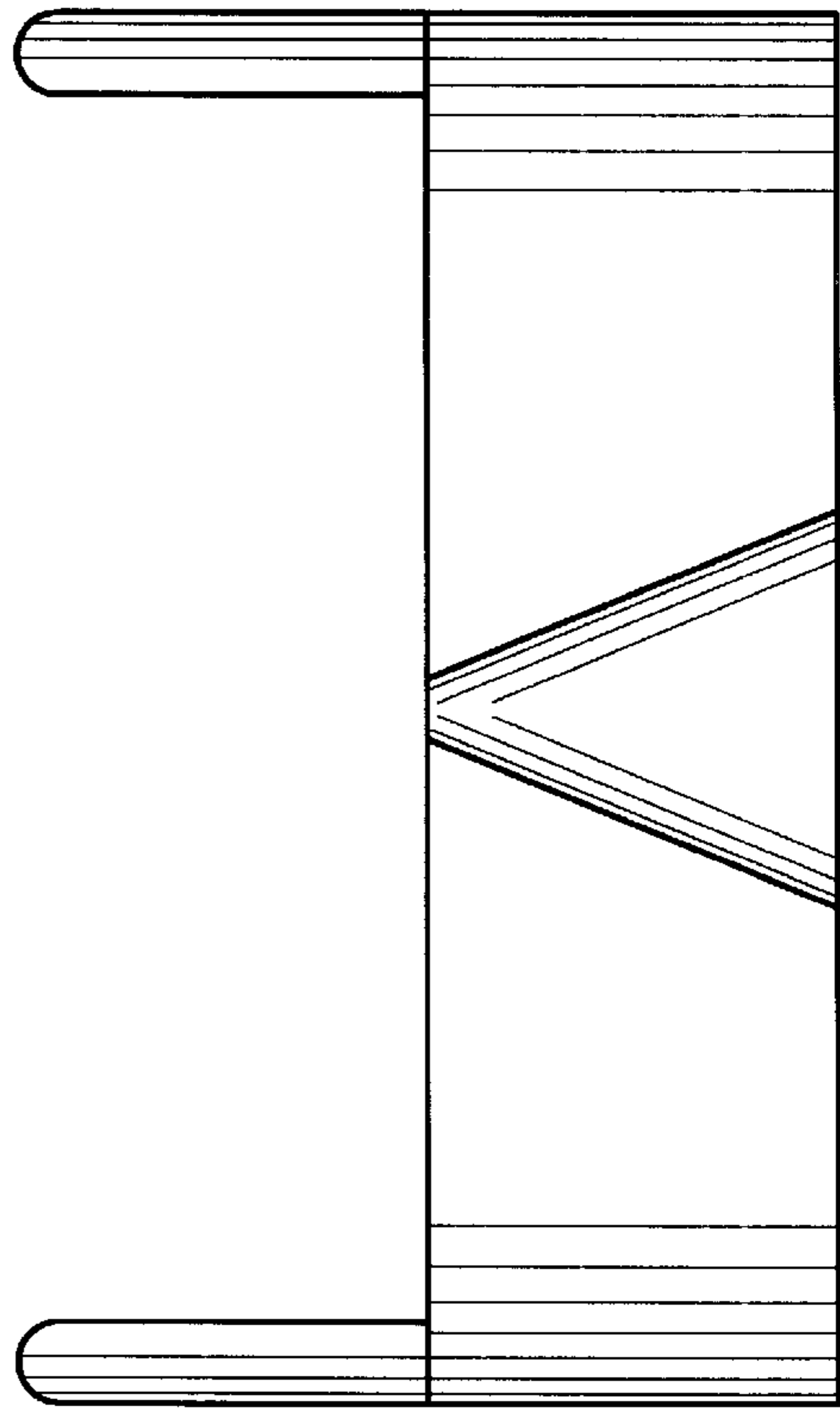


FIG. 5