



US00D439554S

(12) **United States Design Patent**
Jolley

(10) **Patent No.:** **US D439,554 S**

(45) **Date of Patent:** **** Mar. 27, 2001**

(54) **STEERING COLUMN SHROUD WITH TILT
RELEASE LEVER**

(75) **Inventor:** **William A. Jolley**, Keego Harbor, MI
(US)

(73) **Assignee:** **DaimlerChrysler Corporation**, Auburn
Hills, MI (US)

(**) **Term:** **14 Years**

(21) **Appl. No.:** **29/102,636**

(22) **Filed:** **Mar. 29, 1999**

(51) **LOC (7) Cl.** **12-16**

(52) **U.S. Cl.** **D12/174**

(58) **Field of Search** D12/174; 74/493,
74/495, 489, 552; 280/777, 775

(56) **References Cited**

U.S. PATENT DOCUMENTS

D. 379,610	*	6/1997	Hellhuke	D12/174
3,807,252		4/1974	Parr	74/493
5,035,446		7/1991	Arvidsson	280/775

5,531,317	*	7/1996	Tomaru et al.	280/775
5,547,221	*	8/1996	Tomaru et al.	280/777
5,573,273	*	11/1996	Ito	280/775
5,802,924	*	9/1998	Johnson et al.	74/493
5,836,211		11/1998	Ross et al.	74/493

* cited by examiner

Primary Examiner—Melody N. Brown

(74) *Attorney, Agent, or Firm*—Lawrence J. Shurupoff

(57) **CLAIM**

The ornamental design for a steering column shroud with tilt release lever, as shown.

DESCRIPTION

FIG. 1 is a perspective view of my new design for a steering column shroud with tilt release lever, as seen from the left front.

FIG. 2 is a left side view.

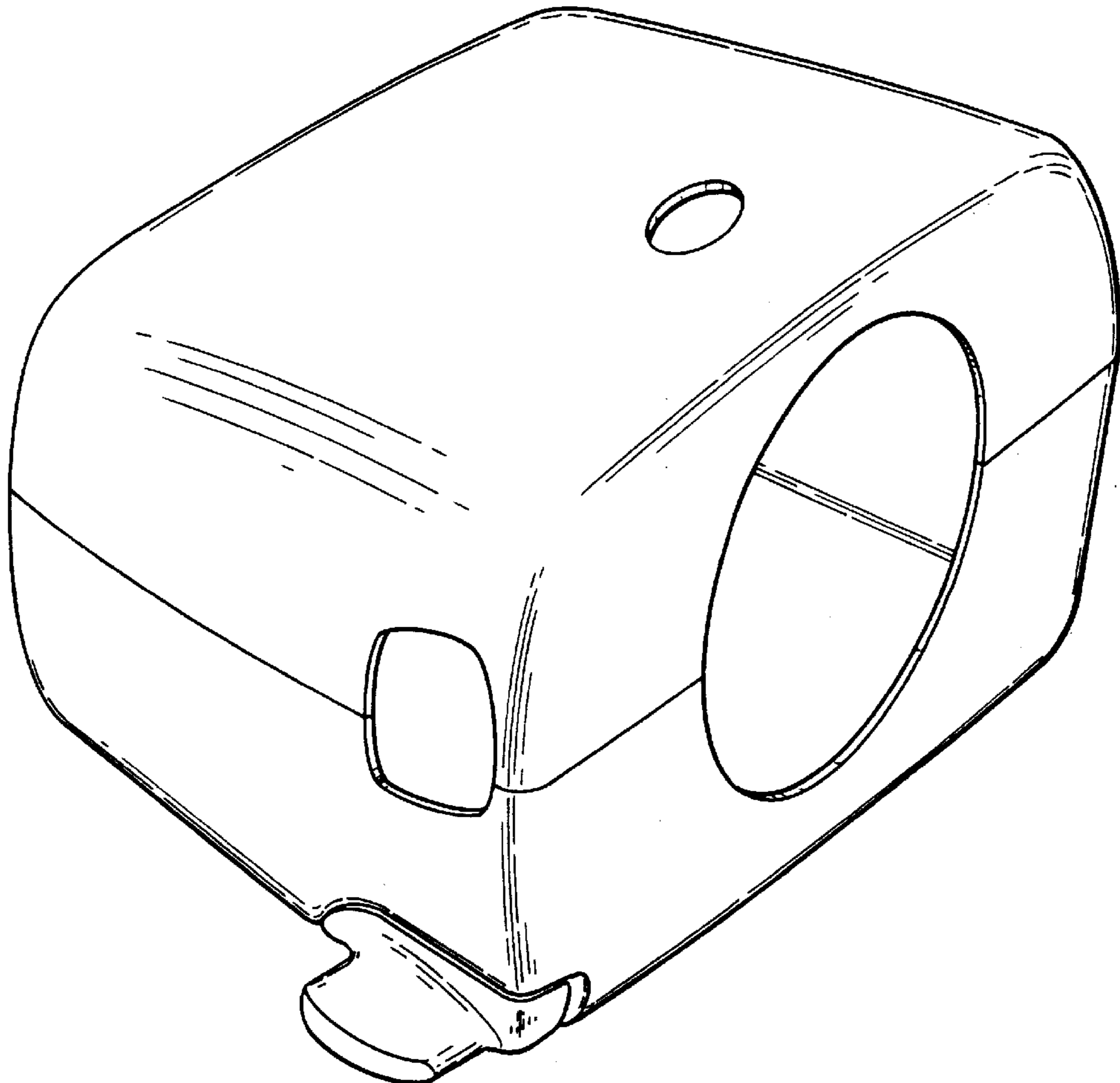
FIG. 3 is a right side view.

FIG. 4 is a front view.

FIG. 5 is a top view; and,

FIG. 6 is a bottom view.

1 Claim, 3 Drawing Sheets



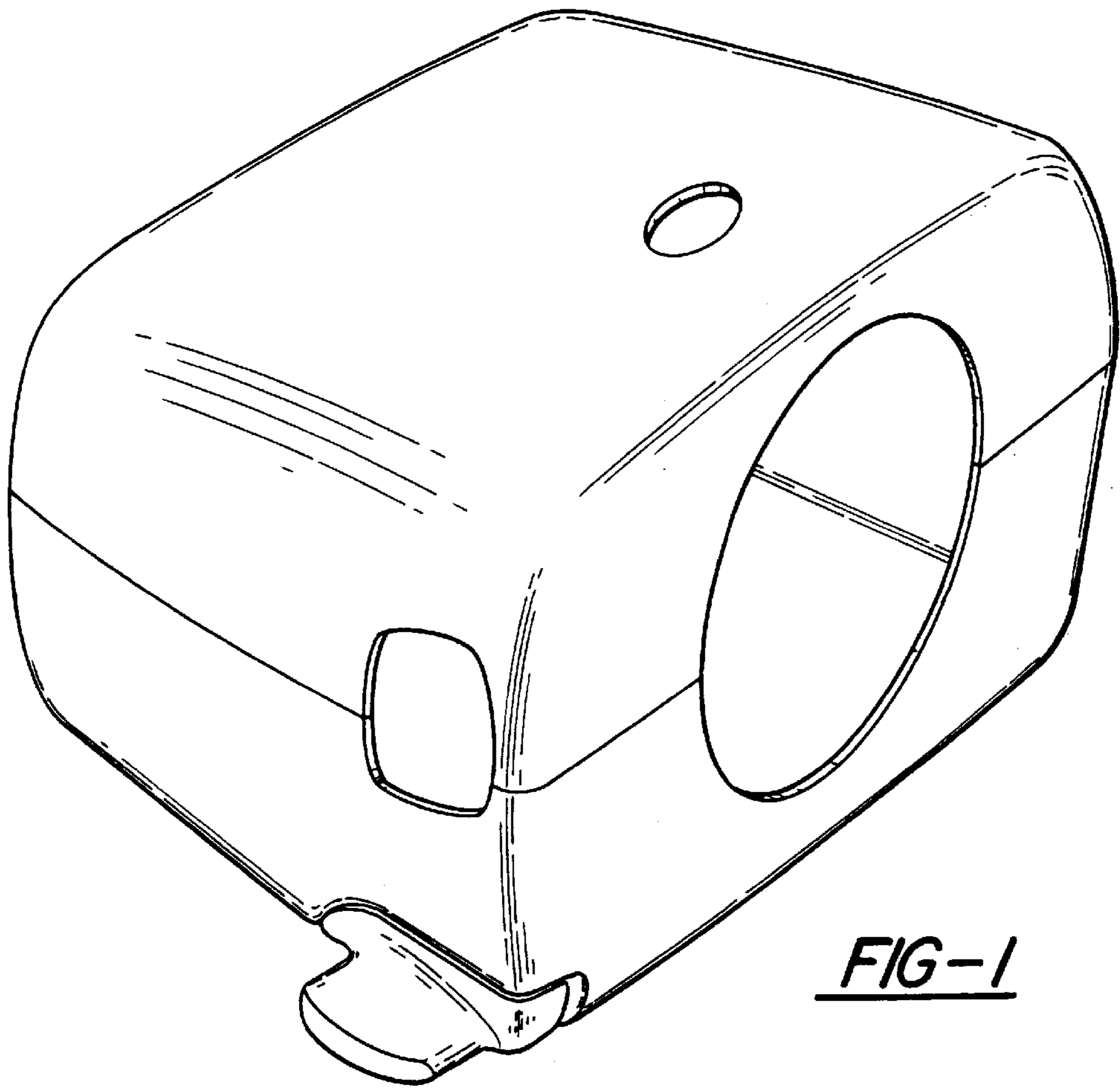


FIG-1

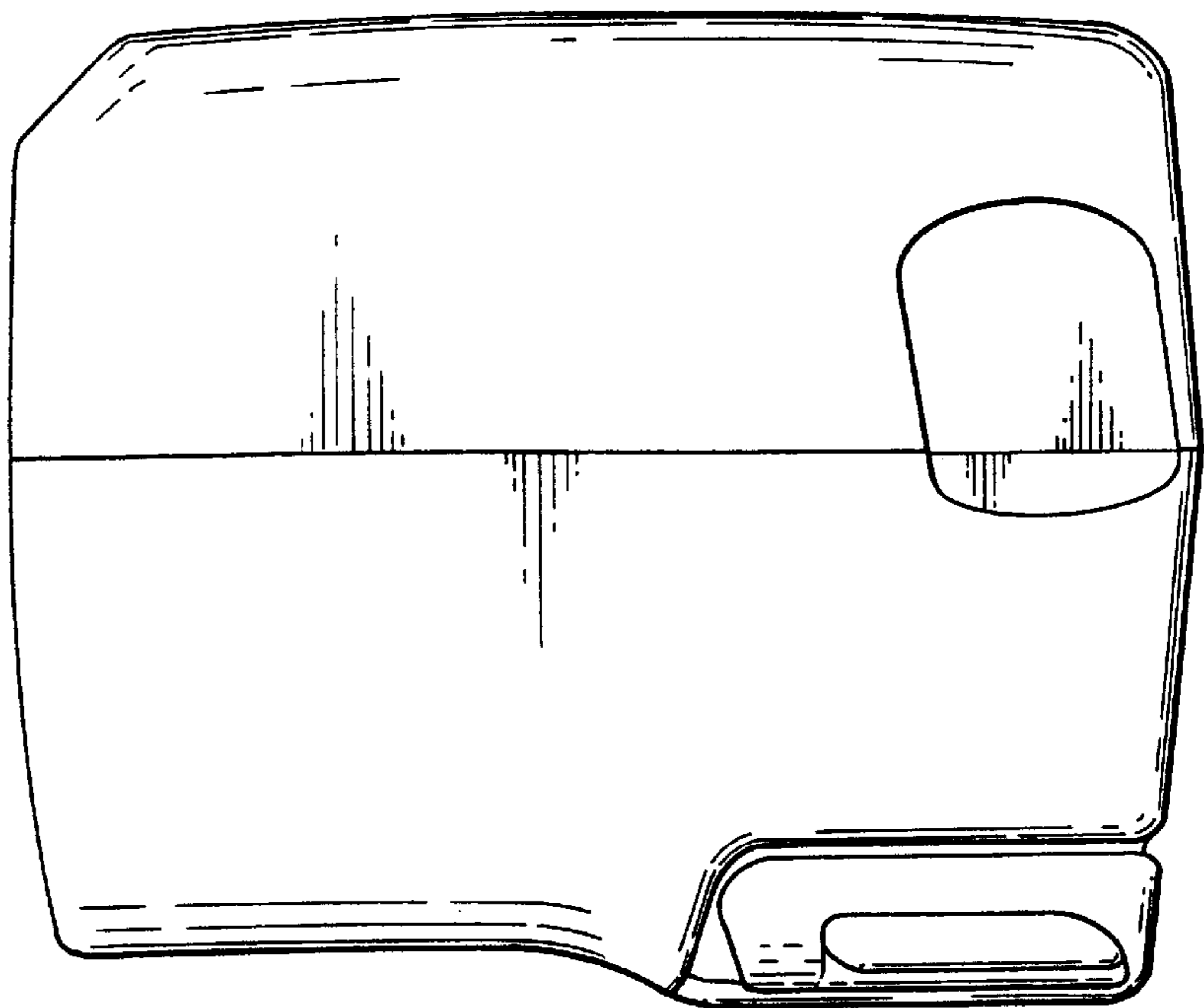


FIG-2

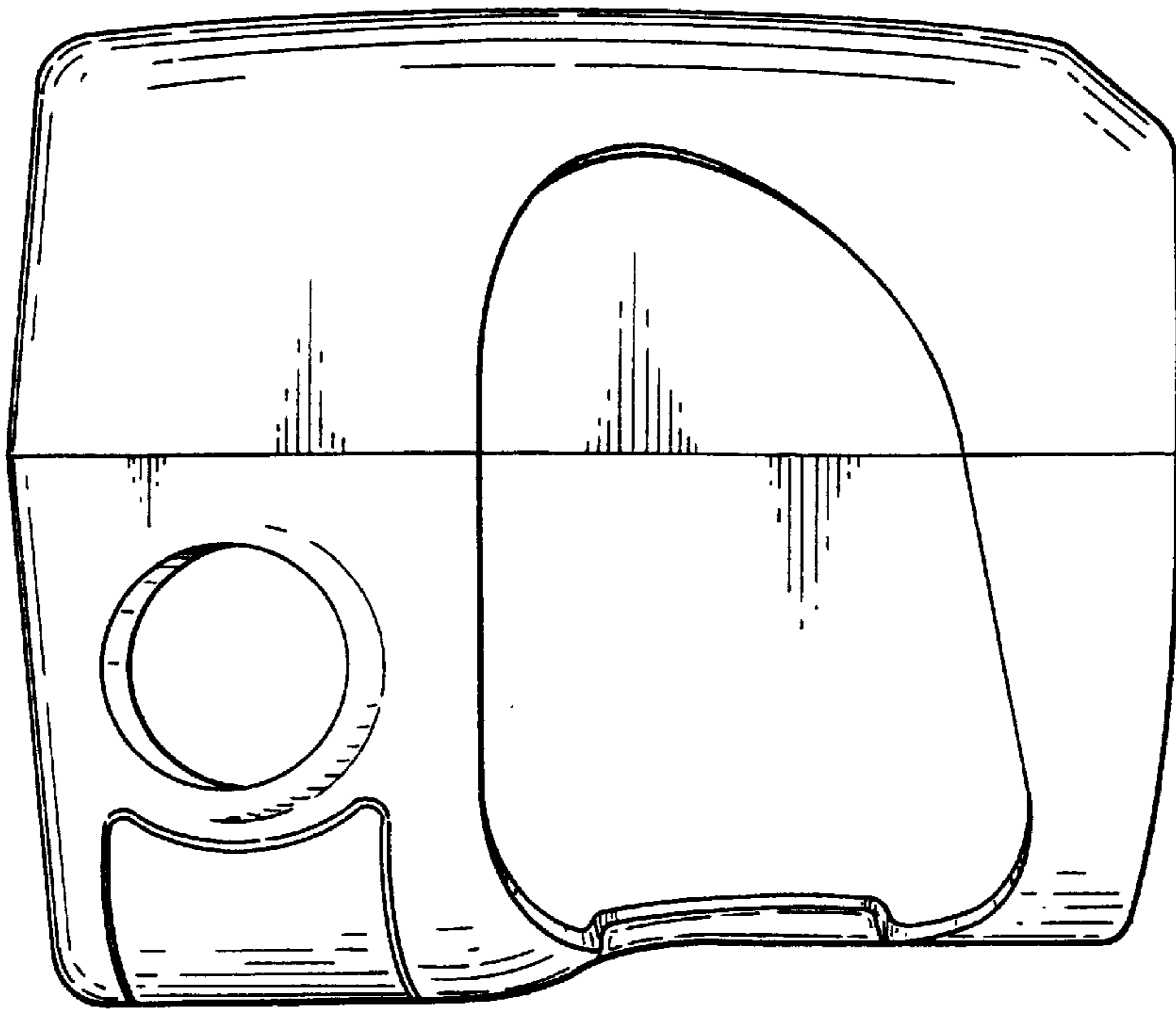


FIG-3

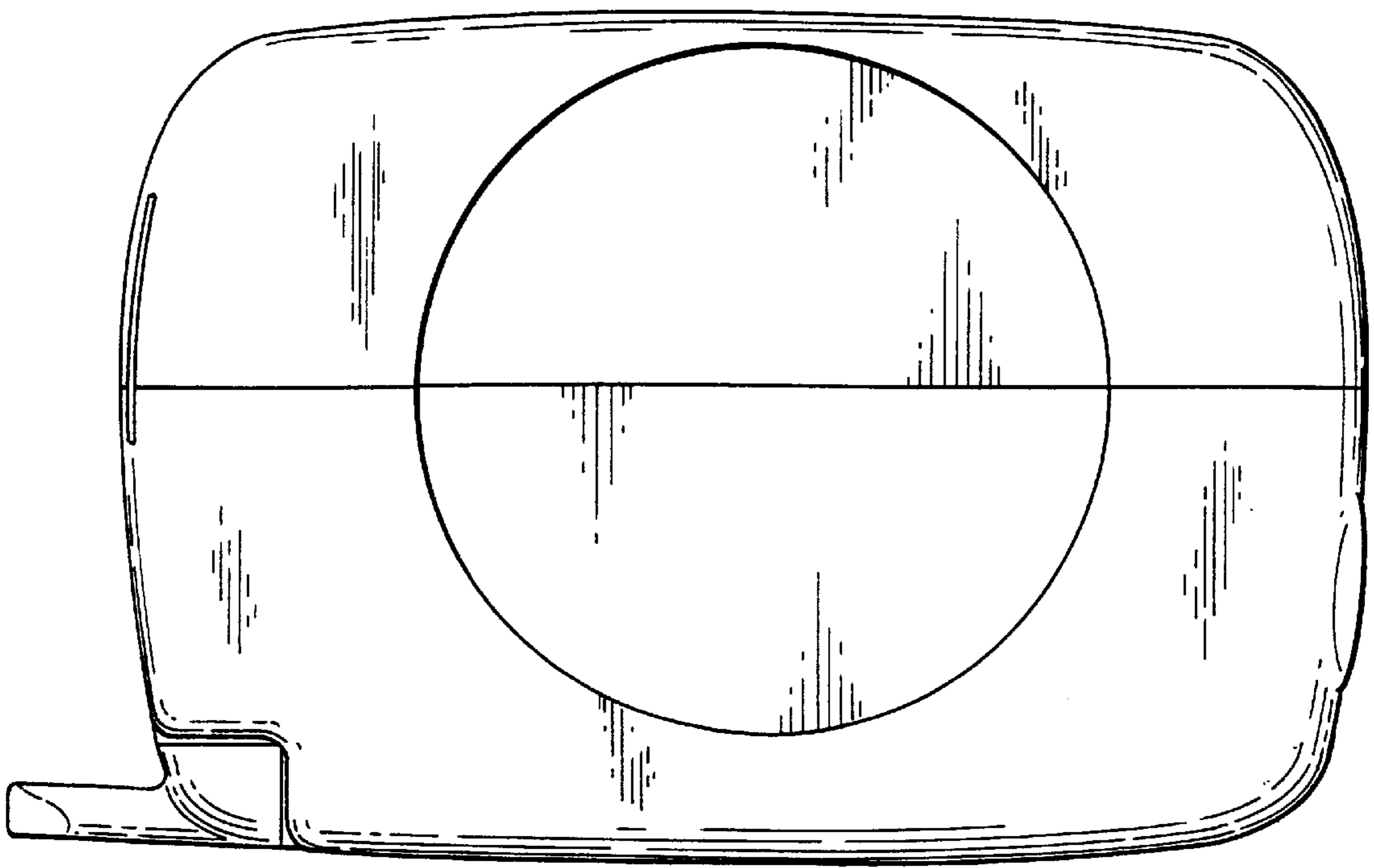


FIG-4

FIG-5

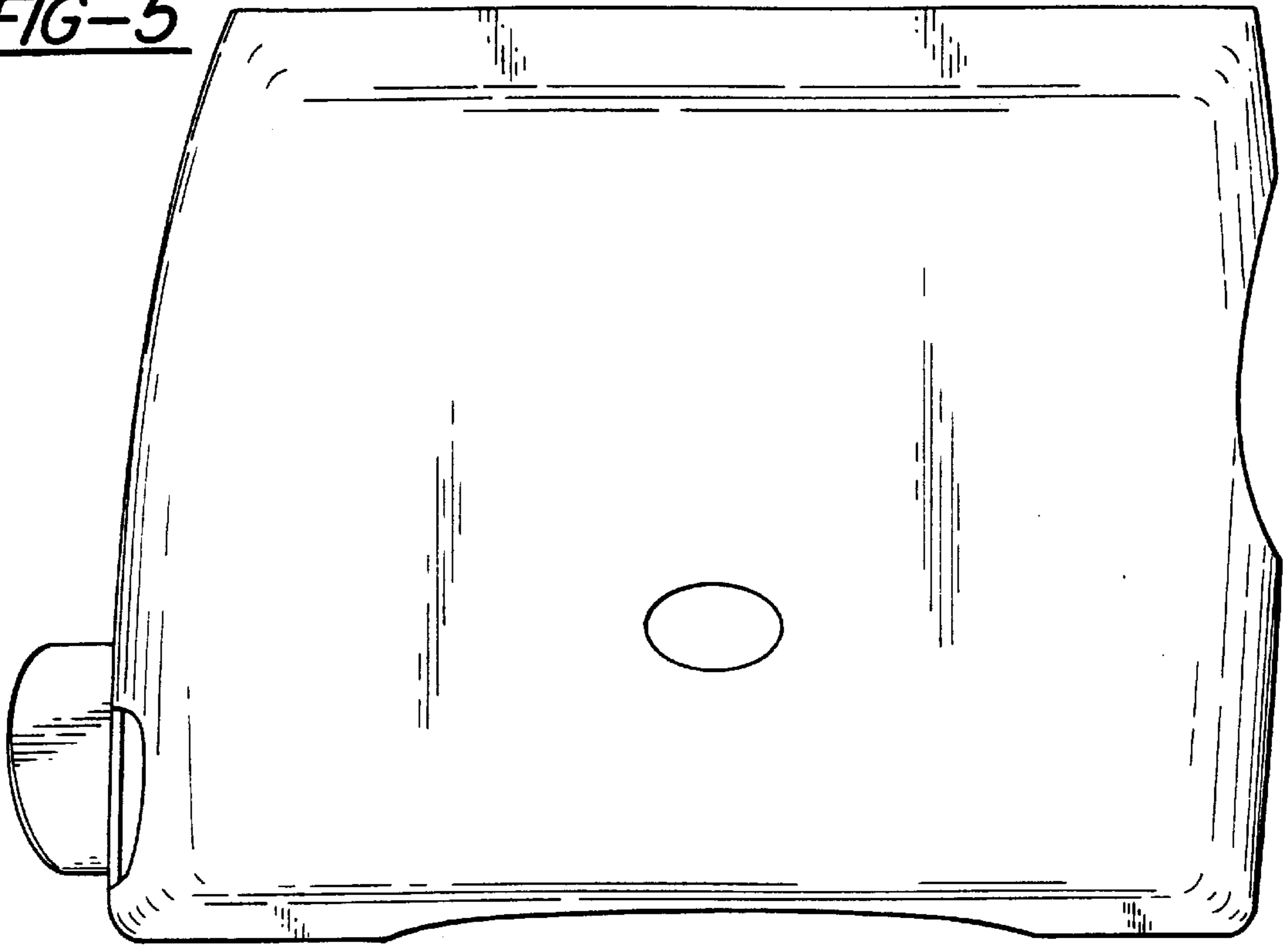


FIG-6

