



US00D439548S

(12) **United States Design Patent**
Kouchi et al.

(10) **Patent No.:** **US D439,548 S**

(45) **Date of Patent:** **** Mar. 27, 2001**

(54) **UTILITY VEHICLE**

(75) Inventors: **Kaoru Kouchi; Teruhito Momoi**, both of Hyogo (JP)

(73) Assignee: **Kawasaki Jukogyo Kabushiki Kaisha**, Kobe (JP)

(**) Term: **14 Years**

(21) Appl. No.: **29/125,246**

(22) Filed: **Jun. 21, 2000**

(30) **Foreign Application Priority Data**

Dec. 27, 1999 (JP) 11-37309

(51) **LOC (7) Cl.** **12-14**

(52) **U.S. Cl.** **D12/1**

(58) **Field of Search** D12/1, 14-16,
D12/85-86, 82, 87, 107; 280/DIG. 5; 296/183-186;
180/908, 233, 68.3; D34/34; 414/460

(56) **References Cited**

U.S. PATENT DOCUMENTS

- D. 292,899 * 11/1987 Samuelson et al. D12/16
- D. 332,239 * 1/1993 Hirata et al. D12/1
- D. 342,701 * 12/1993 Murata et al. D12/1 X
- D. 364,590 * 11/1995 Yamashita D12/15

- D. 422,938 * 4/2000 Molzon et al. D12/1
- D. 427,109 * 6/2000 Molzon et al. D12/1
- D. 433,651 * 11/2000 Matsumura et al. D12/1
- 5,086,858 2/1992 Mizuta et al. 180/68.3

OTHER PUBLICATIONS

“Design News”, Dec. 10, 1993, v. 224, pt. 63.

* cited by examiner

Primary Examiner—Stacia Cadmus

(74) *Attorney, Agent, or Firm*—Wenderoth, Lind & Ponack, L.L.P.

(57) **CLAIM**

The ornamental design for a utility vehicle, as shown and described.

DESCRIPTION

FIG. 1 is a perspective view of a utility vehicle according to the present invention;
 FIG. 2 is a front elevational view thereof;
 FIG. 3 is a rear elevational view thereof;
 FIG. 4 is a right side elevational view thereof;
 FIG. 5 is a left side elevational view thereof;
 FIG. 6 is a top plan view thereof; and,
 FIG. 7 is a bottom plan view thereof.

1 Claim, 3 Drawing Sheets

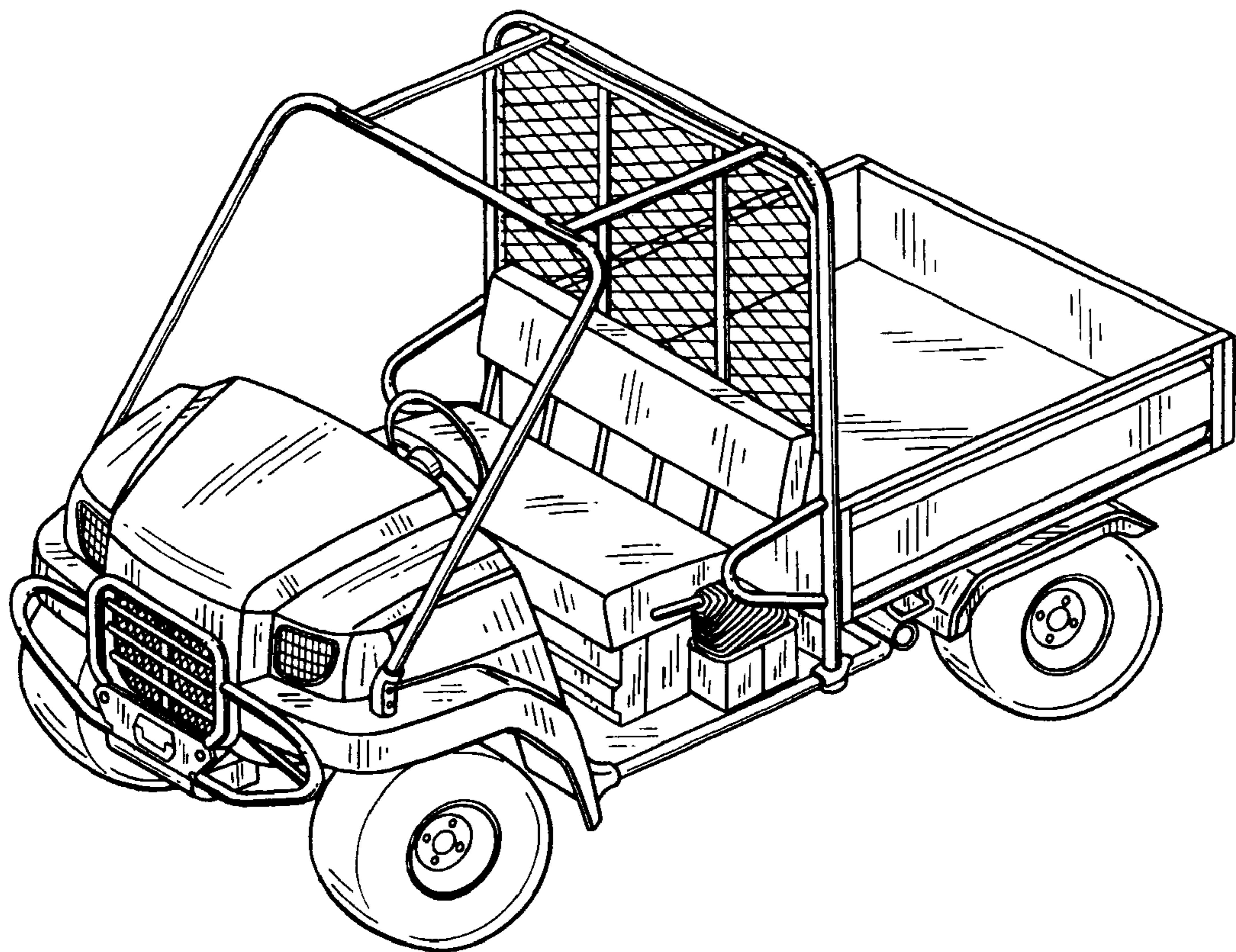


FIG. 1

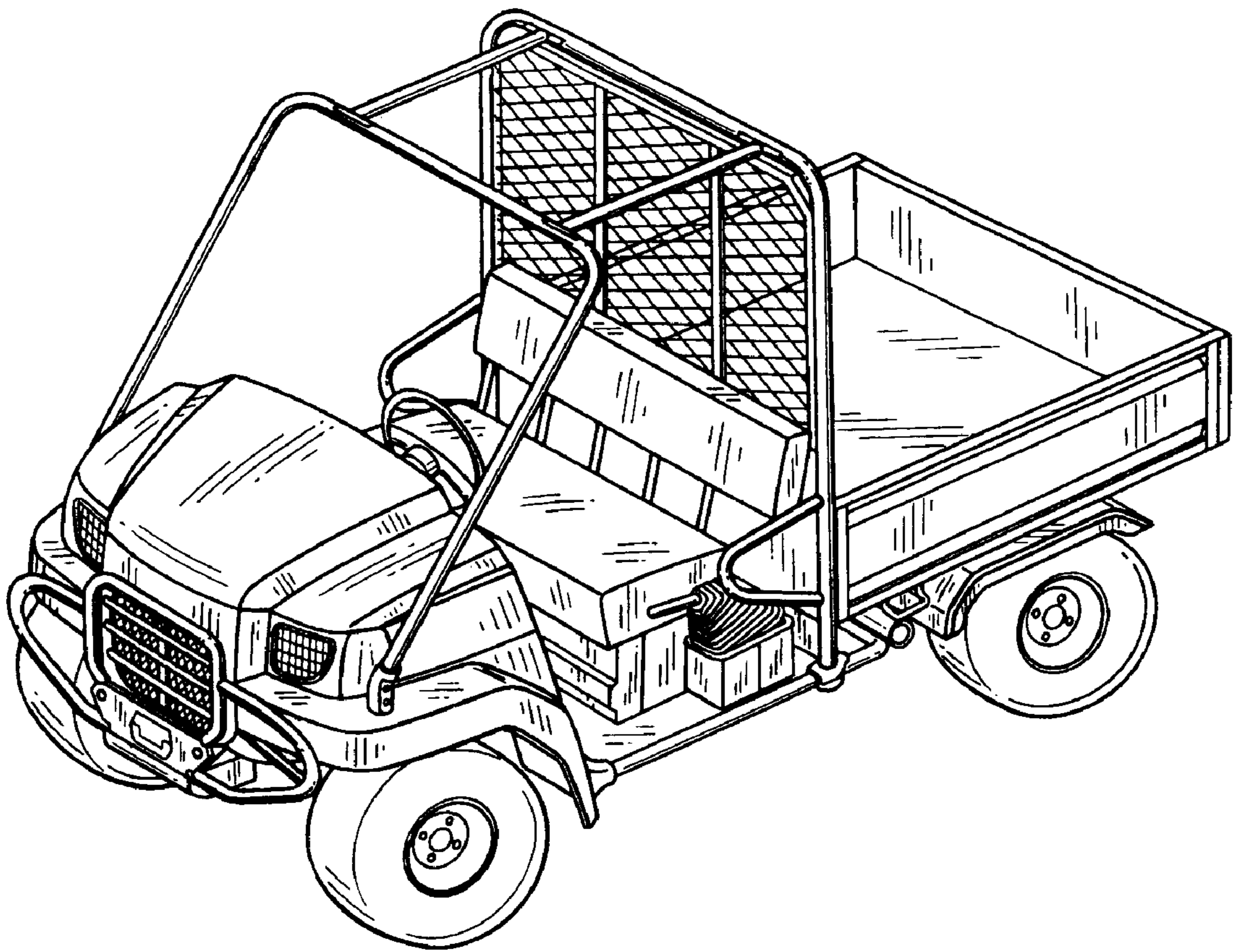


FIG. 2

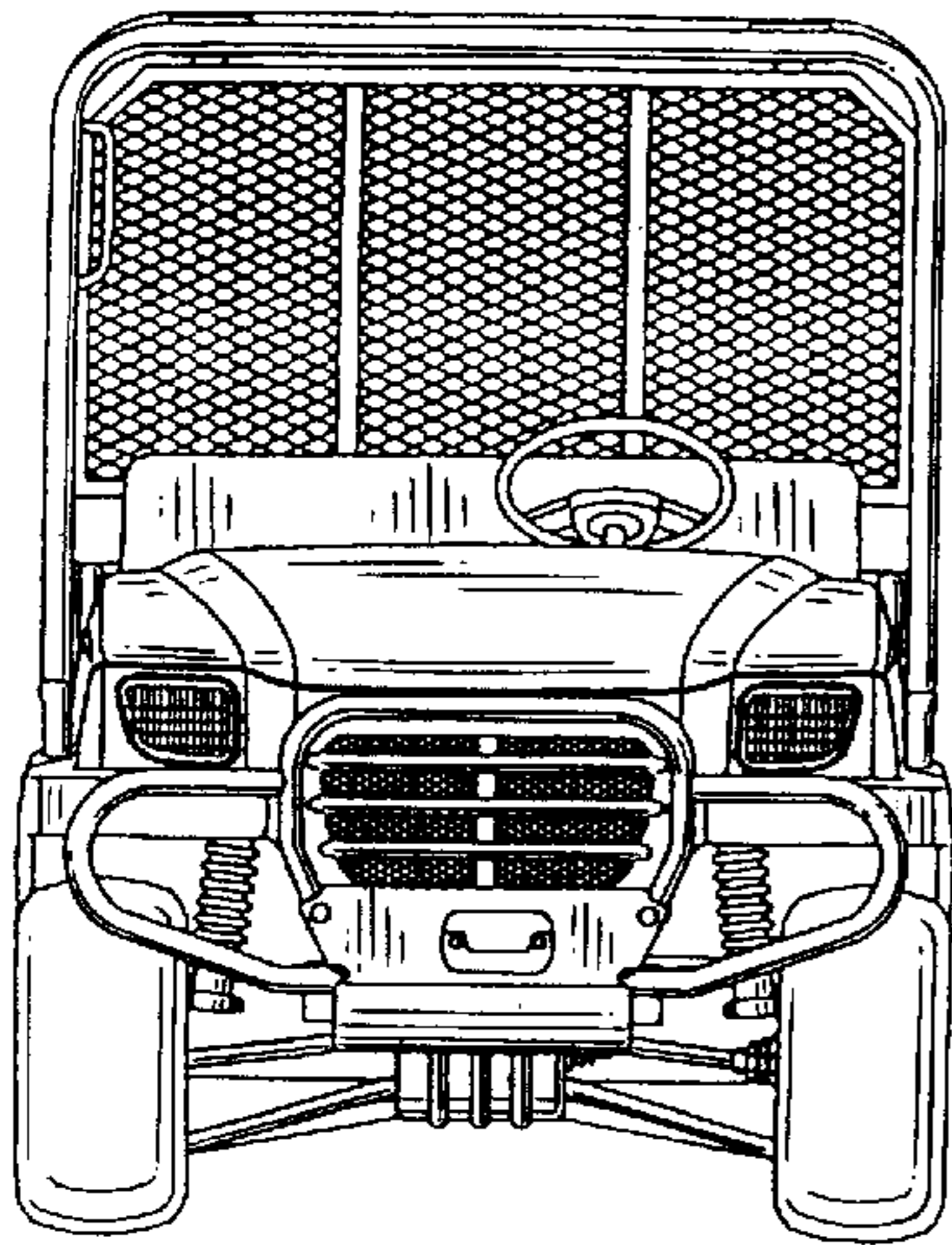


FIG. 4

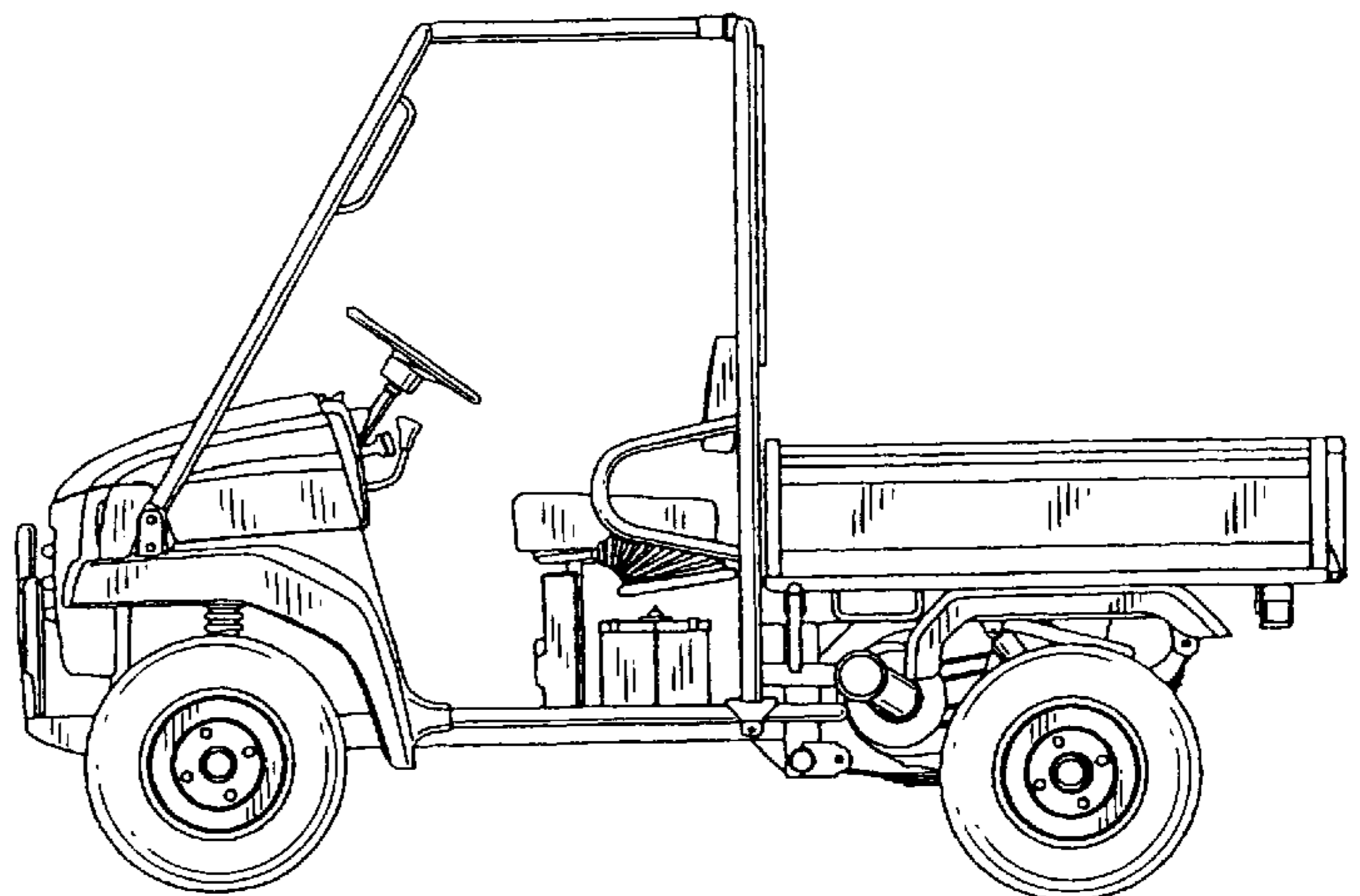


FIG. 3

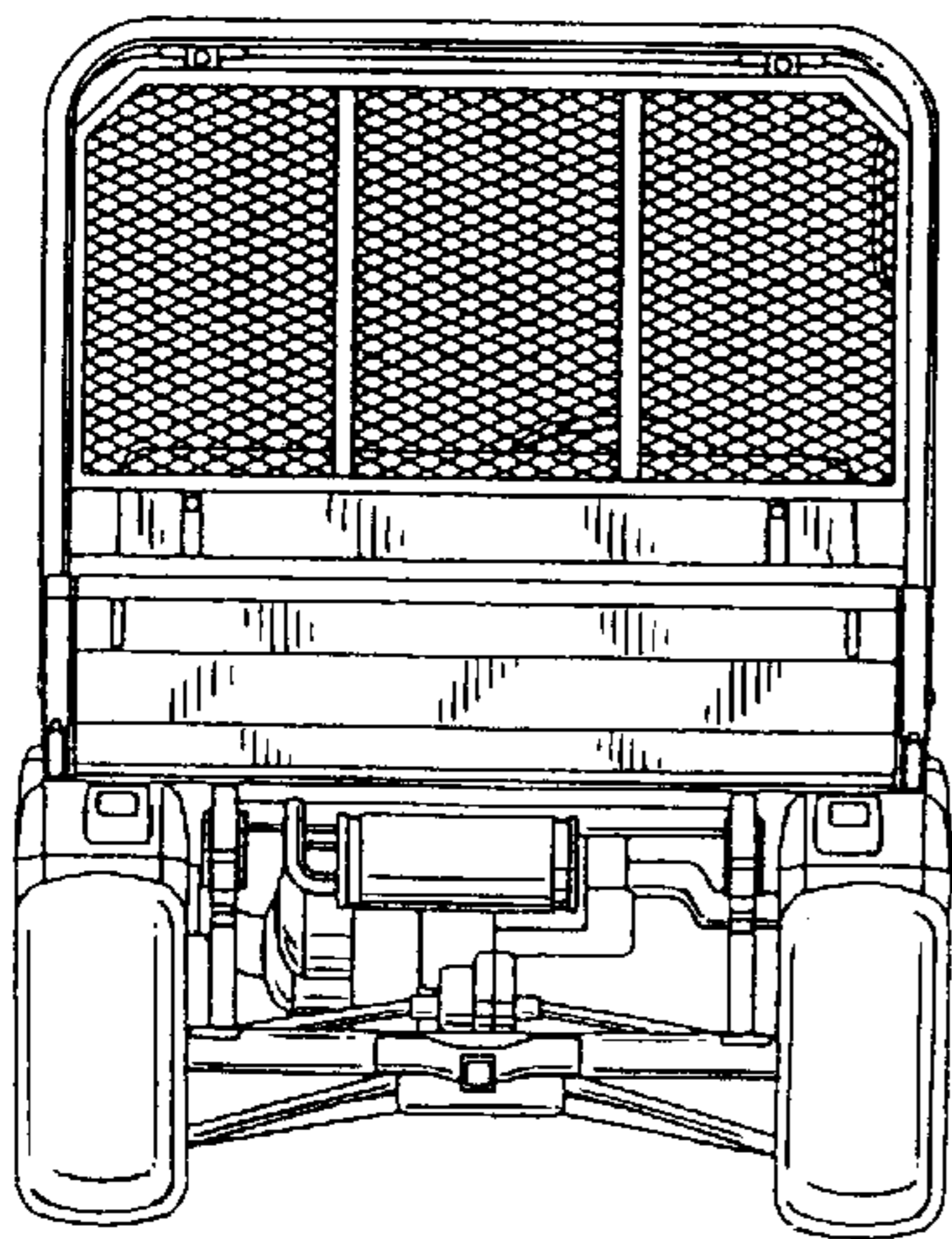


FIG. 5

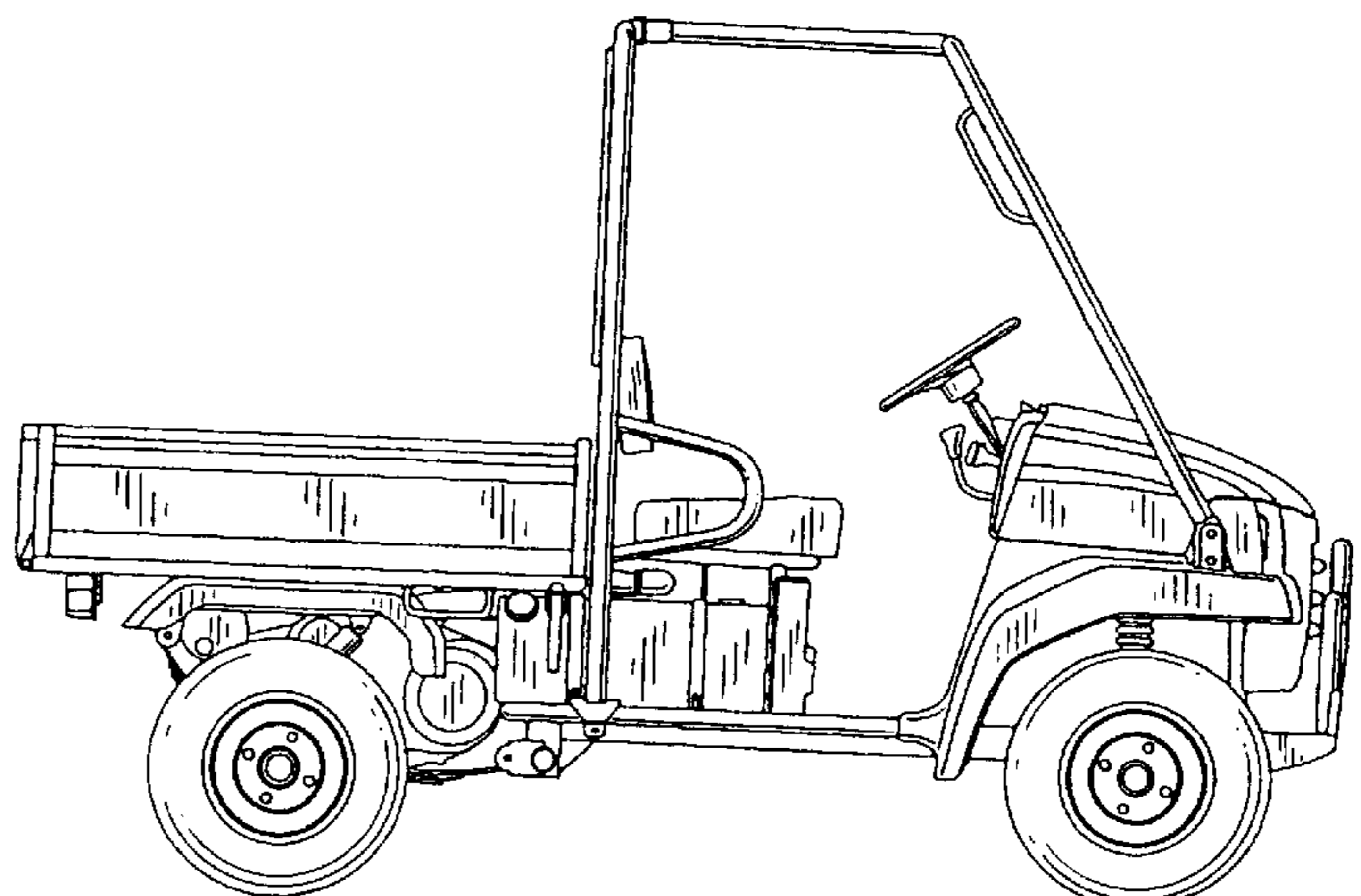


FIG. 6

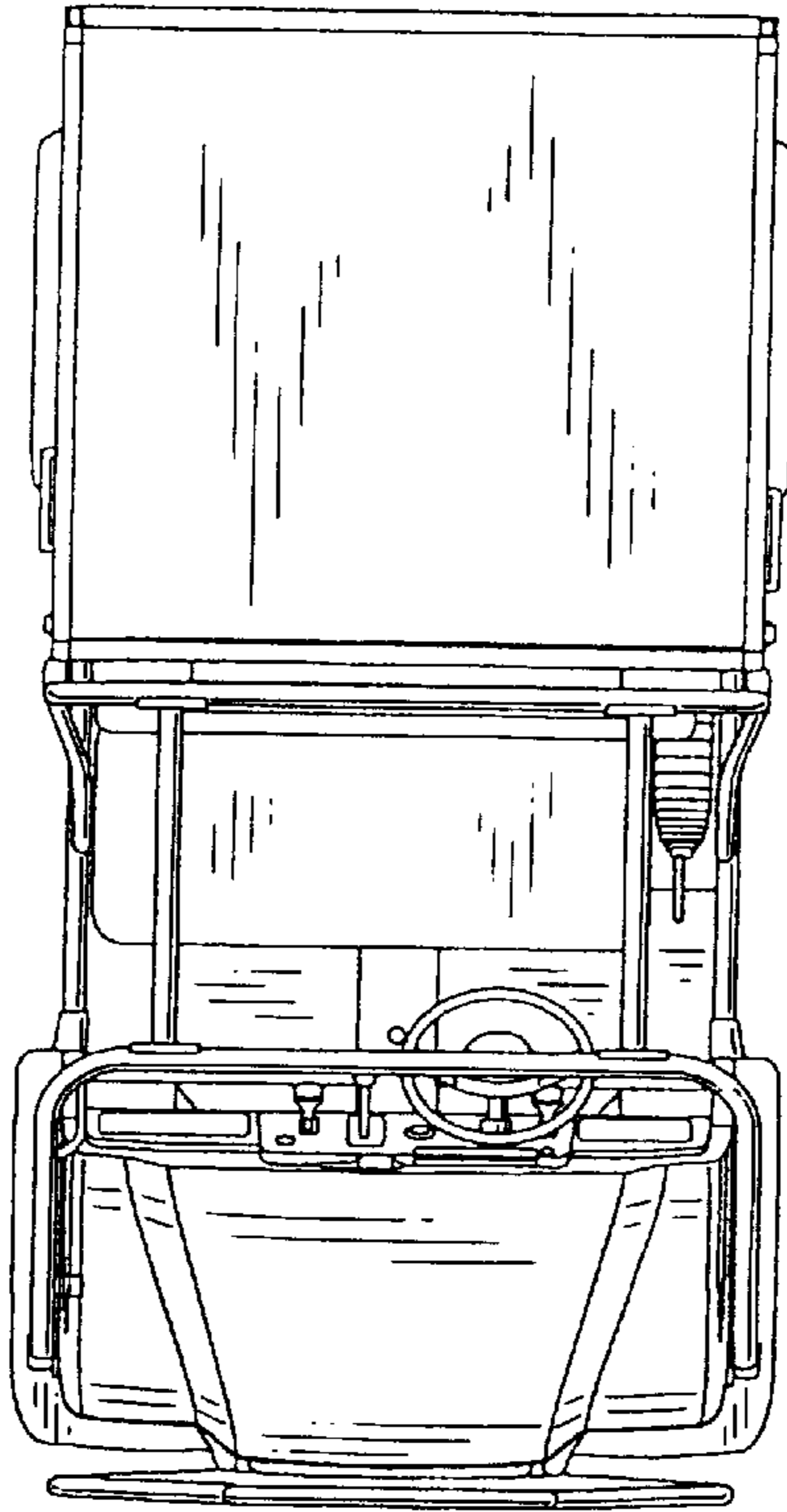


FIG. 7

