



US00D439536S

(12) **United States Design Patent**  
**Matsuda**

(10) **Patent No.:** **US D439,536 S**

(45) **Date of Patent:** **\*\* Mar. 27, 2001**

(54) **PLATE FOR A FIRE ALARM REPEATER BOX**

D. 271,089 \* 10/1983 Mallory ..... D10/121  
D. 311,705 \* 10/1990 Thorp et al. .... D10/121

\* cited by examiner

(75) Inventor: **Taizo Matsuda**, Tokyo (JP)

*Primary Examiner*—Marcus A. Jackson

(73) Assignee: **Nohmi Bosai, Ltd.**, Tokyo (JP)

(74) *Attorney, Agent, or Firm*—Leydig, Voit & Mayer, Ltd.

(\*\*) Term: **14 Years**

(57) **CLAIM**

(21) Appl. No.: **29/111,503**

The ornamental design for plate for a fire alarm repeater box, as shown and described.

(22) Filed: **Sep. 29, 1999**

**DESCRIPTION**

(30) **Foreign Application Priority Data**

Mar. 29, 1999 (JP) ..... 11-7559

(51) **LOC (7) Cl.** ..... **10-05**

(52) **U.S. Cl.** ..... **D10/106**

(58) **Field of Search** ..... D10/104, 106,  
D10/121, 116; 340/815.01, 815.06, 815.11,  
815.15, 815.16, 815.17, 815.21, 571, 572,  
573, 627, 628, 629, 630

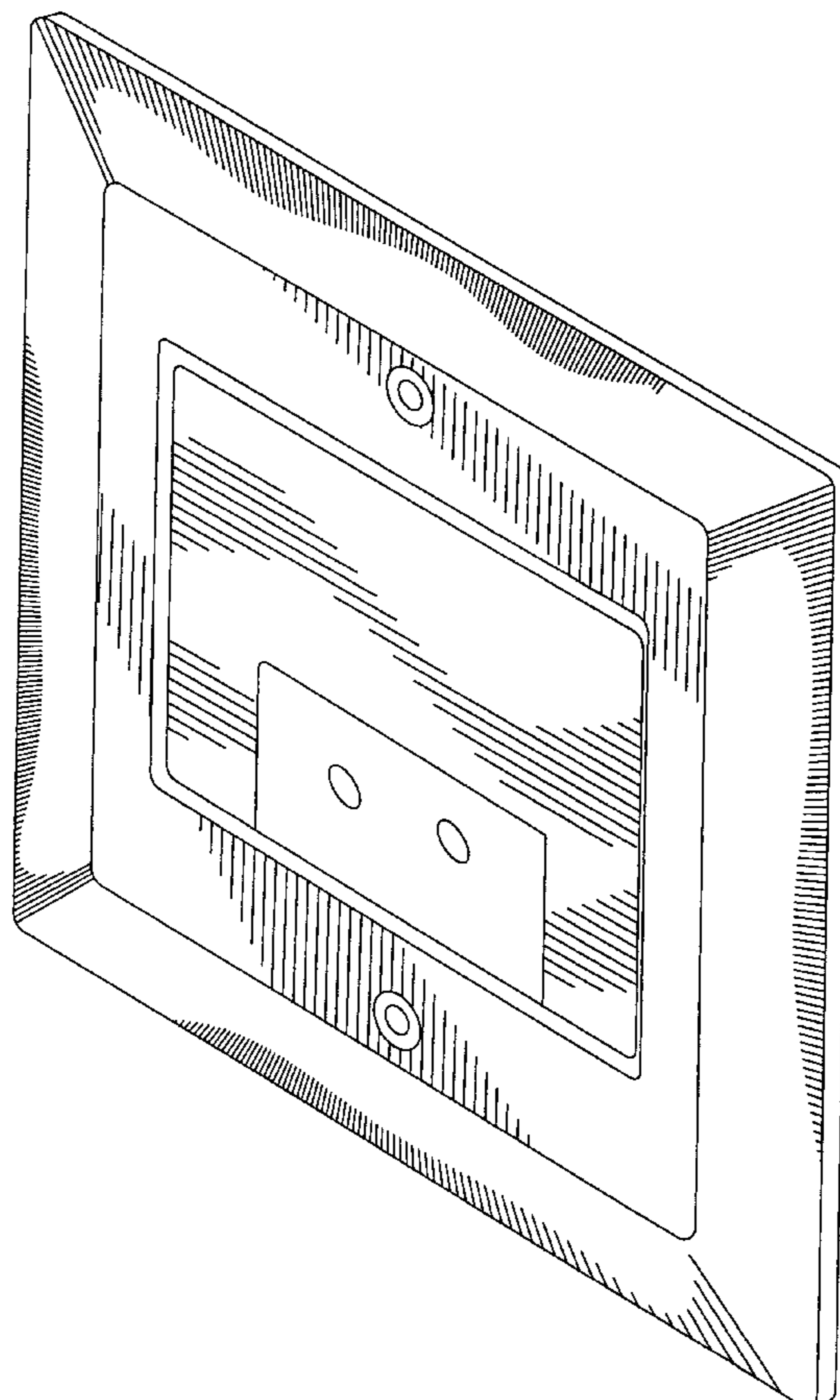
FIG. 1 is a front view of a plate for a fire alarm repeater box, showing our new design;  
FIG. 2 is a rear view thereof;  
FIG. 3 is a top plan view thereof;  
FIG. 4 is a bottom plan view thereof;  
FIG. 5 is a left side view thereof;  
FIG. 6 is a right side view thereof;  
FIG. 7 is a cross-sectional view thereof, taken along line 7—7 in FIG. 1;  
FIG. 8 is a cross-sectional view thereof, taken along line 8—8 in FIG. 1;  
FIG. 9 is a cross-sectional view thereof, taken along line 9—9 in FIG. 1; and,  
FIG. 10 is a perspective view thereof as viewed from front, right side and top.

(56) **References Cited**

**U.S. PATENT DOCUMENTS**

- D. 190,306 \* 5/1961 Holmes ..... D10/121
- D. 245,588 \* 8/1977 Hoge ..... D10/121
- D. 247,665 \* 4/1978 Larsen ..... D10/121
- D. 251,485 \* 4/1979 Stockdale ..... D10/121

**1 Claim, 4 Drawing Sheets**



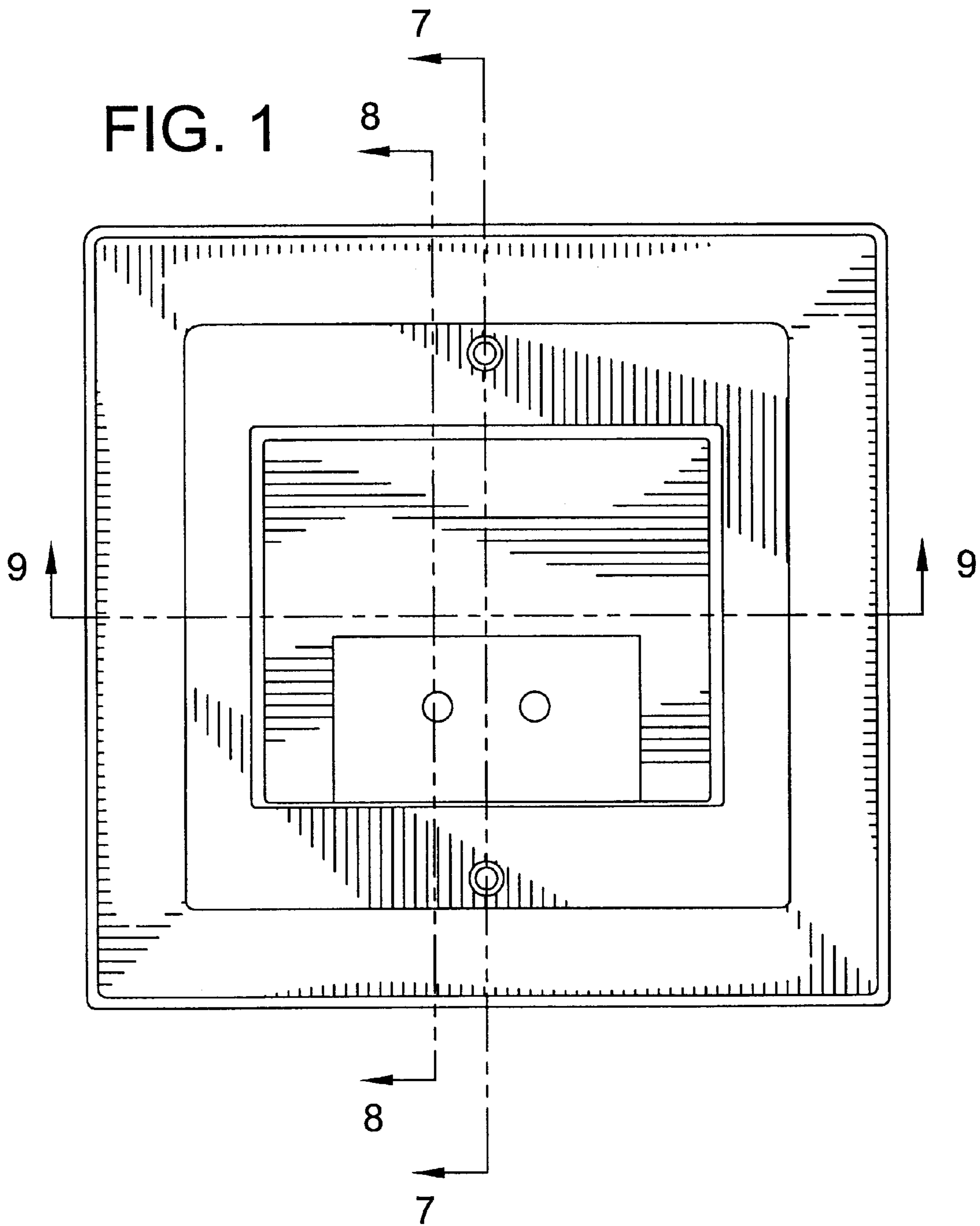


FIG. 3

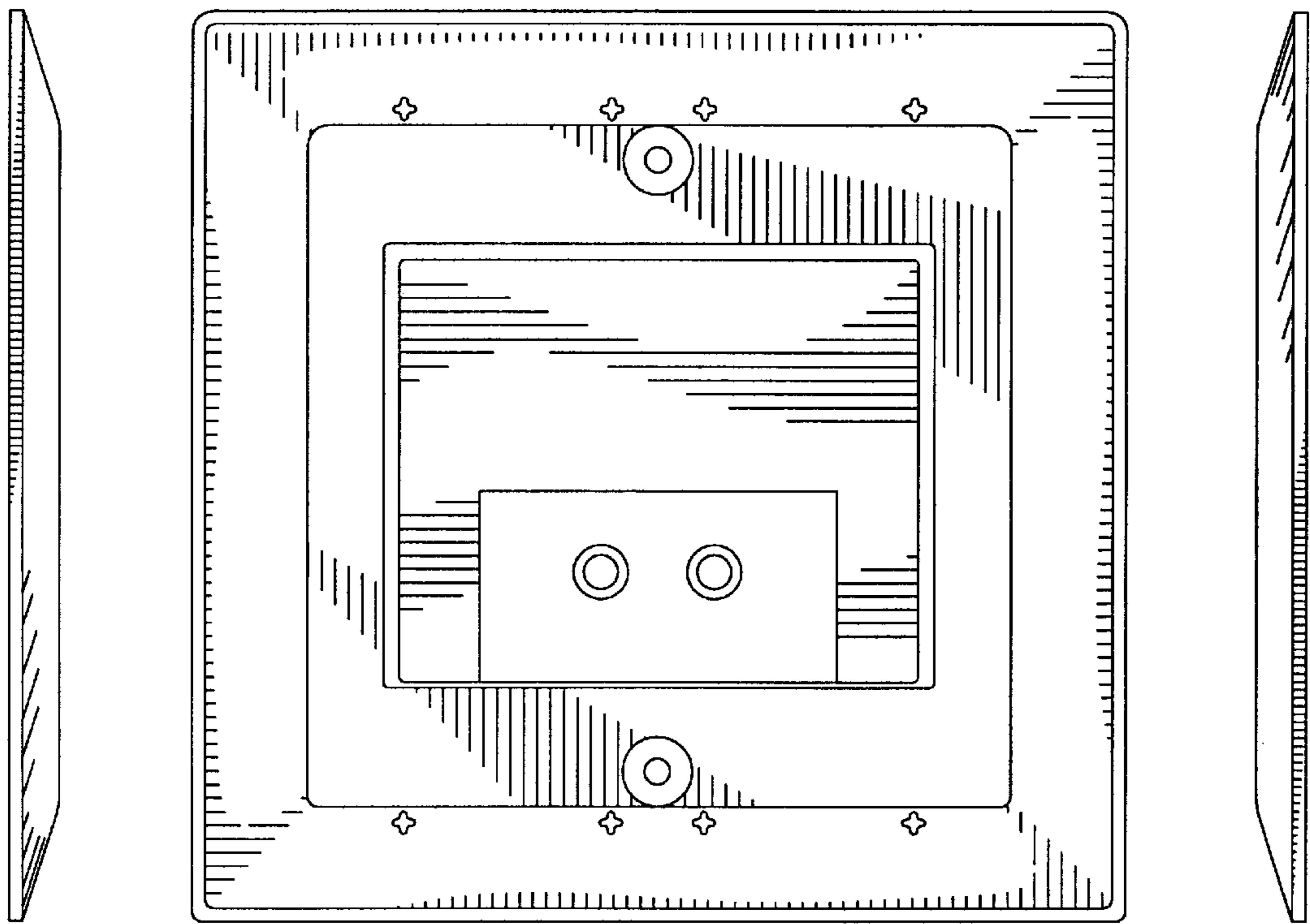
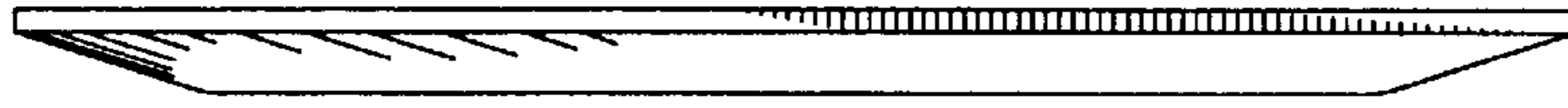


FIG. 5

FIG. 2

FIG. 6

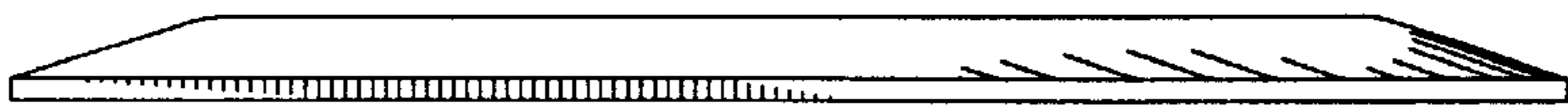


FIG. 4

FIG. 7

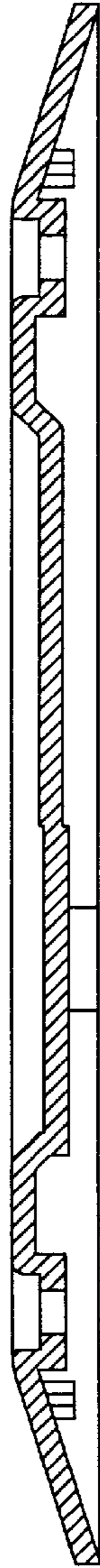


FIG. 8



FIG. 9

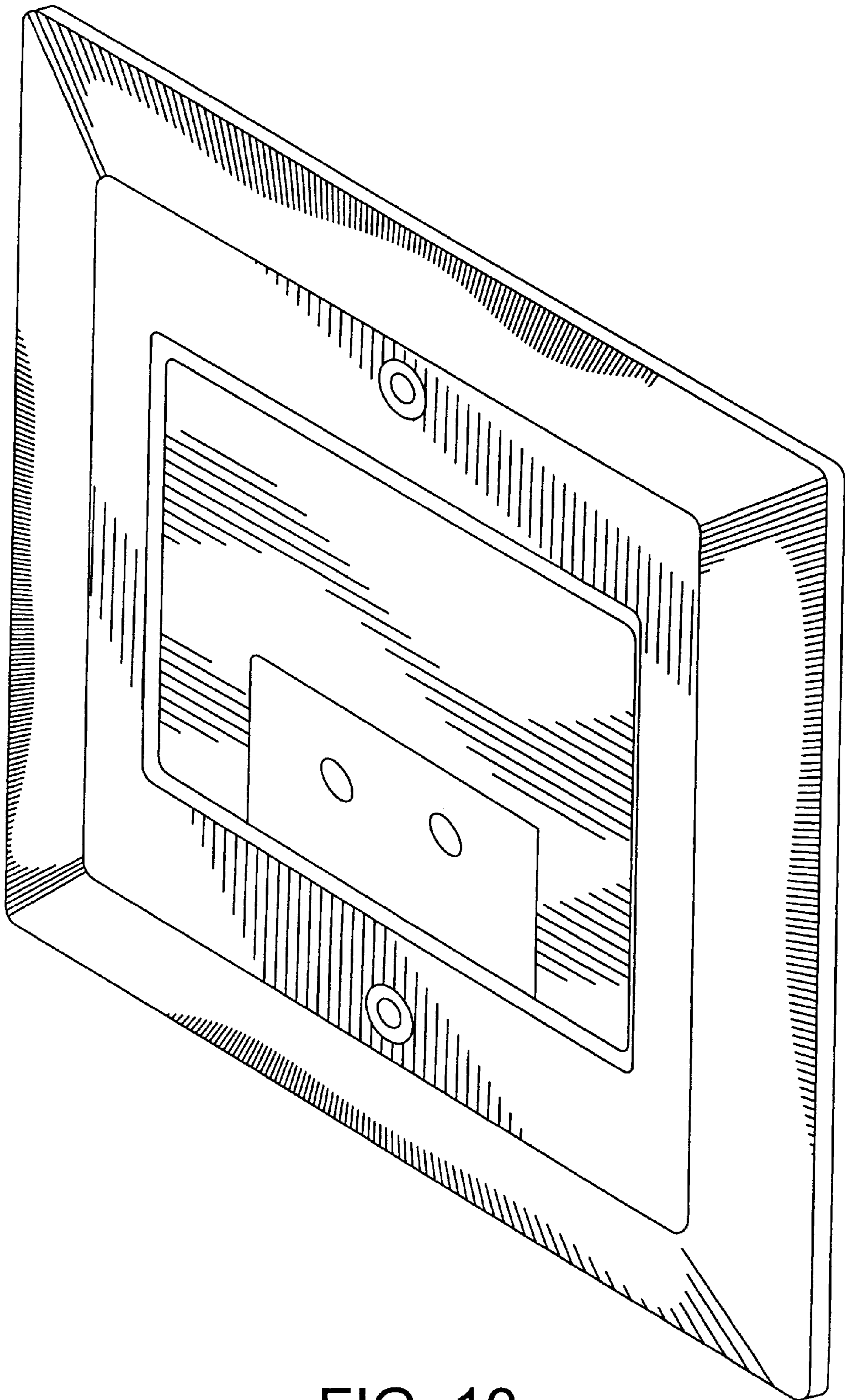


FIG. 10