



US00D439534S

(12) **United States Design Patent**  
**Scarrott et al.**

(10) **Patent No.:** **US D439,534 S**  
(45) **Date of Patent:** **\*\* Mar. 27, 2001**

- (54) **INDICATING DEVICE**
- (75) Inventors: **Peter Mykola Scarrott; James Nick Schmidt**, both of London (CA)
- (73) Assignee: **1263152 Ontario Inc.**, London (CA)
- (\*\*) Term: **14 Years**
- (21) Appl. No.: **29/120,588**
- (22) Filed: **Mar. 22, 2000**

- 3,191,867 6/1965 Helms .
- 3,334,731 8/1967 Dale .
- 3,344,951 10/1967 Gervais .
- 3,419,187 12/1968 Bazarnic .
- 3,446,179 5/1969 Bender .
- 3,477,561 11/1969 Espinal .
- 3,495,567 2/1970 Hayes et al. .
- 3,511,409 5/1970 Huck .
- 3,549,057 12/1970 Perez .
- 3,572,282 3/1971 Trump et al. .
- 3,589,563 6/1971 Carragan et al. .
- 3,612,349 10/1971 Thomas .
- 3,655,952 4/1972 Johnson et al. .
- 3,688,945 9/1972 Harman, Jr. et al. .
- 3,753,417 8/1973 Garby .

**Related U.S. Application Data**

- (63) Continuation of application No. 09/073,275, filed on May 5, 1998, now Pat. No. 6,082,358.
- (51) **LOC (7) Cl.** ..... **10-04**
- (52) **U.S. Cl.** ..... **D10/96**
- (58) **Field of Search** ..... D10/96, 97, 98;  
128/205.23, 200.14, 200.23

(List continued on next page.)

**FOREIGN PATENT DOCUMENTS**

- 598250 B2 6/1990 (AU) .
- 535518 1/1957 (CA) .
- 6 603 758 7/1969 (DE) .

(List continued on next page.)

(56) **References Cited**

**U.S. PATENT DOCUMENTS**

- Re. 34,847 2/1995 Muderlak et al. .
- 165,054 6/1875 Baldwin .
- 498,851 6/1893 Jones .
- 1,219,858 3/1917 Patterson .
- 2,455,962 12/1948 Wheeler et al. .
- 2,580,292 12/1951 Geary et al. .
- 2,587,147 2/1952 Guion et al. .
- 2,630,027 3/1953 Wunderlich .
- 2,644,452 7/1953 Brown .
- 2,767,680 10/1956 Lerner .
- 2,883,086 4/1959 Davison et al. .
- 2,939,597 6/1960 Greene .
- 2,943,730 7/1960 Tregilgas .
- 2,953,242 9/1960 Shaw .
- 3,073,468 1/1963 Arneson .
- 3,085,745 4/1963 Auberger .
- 3,119,557 1/1964 Chapman .
- 3,120,318 2/1964 Rigor .
- 3,148,801 9/1964 Radeloff et al. .
- 3,151,599 10/1964 Livingston .
- 3,170,597 2/1965 Reichenberger .
- 3,187,963 6/1965 Anderson .

*Primary Examiner*—Antoine Duval Davis  
(74) *Attorney, Agent, or Firm*—Brinks Hofer Gilson & Lione

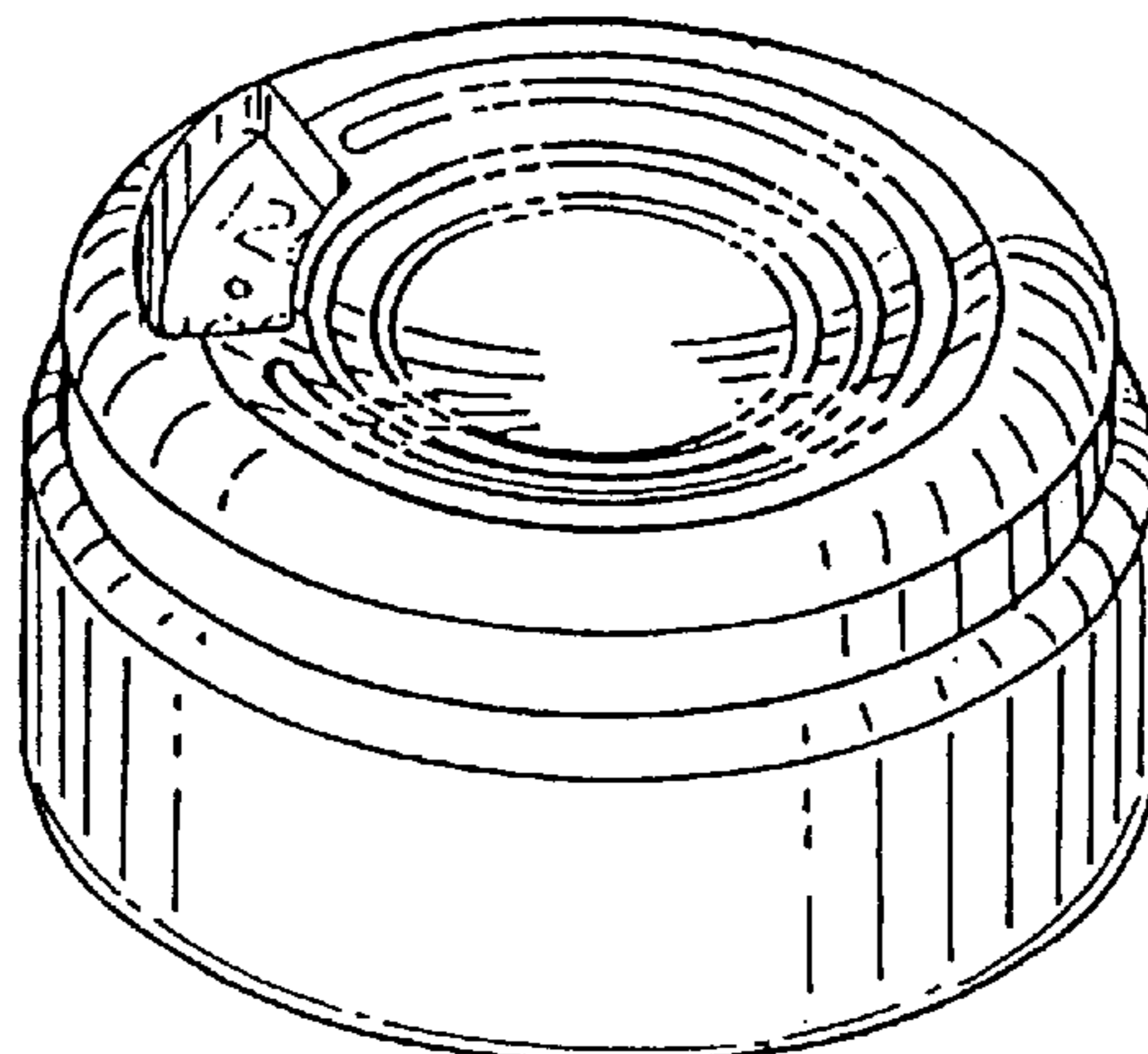
(57) **CLAIM**

The ornamental design for an indicating device, as shown and described.

**DESCRIPTION**

FIG. 1 is a perspective view of an indicating device; FIG. 2 is a side view of the indicating device shown in FIG. 1, with the other side views being identical thereto; FIG. 3 is a top view of the indicating device shown in FIG. 1; and, FIG. 4 is a bottom perspective view of the indicating device shown in FIG. 1. The broken lines showing the numerical surface indicia and grippable rings in FIGS. 1 and 3, the container and actuator in FIG. 2, and the openings in the bottom of the indicating device in FIGS. 2 and 4, are for environmental purposes only and do not form any part of the claimed designs.

**1 Claim, 1 Drawing Sheet**



# US D439,534 S

Page 2

U.S. PATENT DOCUMENTS					
			4,782,966	11/1988	Thackrey .
			4,792,664	12/1988	Schwab .
3,766,882	10/1973	Babbitt, III .	4,817,822	4/1989	Rand et al. .
3,796,348	3/1974	Zipper .	4,890,572	1/1990	Huang .
3,797,748	3/1974	Nozawa et al. .	4,934,358	6/1990	Nilsson et al. .
3,802,608	4/1974	Gullett .	4,947,875	8/1990	Brooks et al. .
3,831,808	8/1974	Bender .	4,955,371	9/1990	Zamba et al. .
3,831,812	8/1974	Dolan .	4,969,578	11/1990	Gander et al. .
3,845,883	11/1974	Johnson et al. .	4,984,158	1/1991	Hillsman .
3,848,774	11/1974	Schimke .	5,009,338	4/1991	Barker .
3,886,879	6/1975	Frost et al. .	5,011,032	4/1991	Rollman .
3,887,099	6/1975	Gillman et al. .	5,020,527	6/1991	Dessertine .
3,921,568	11/1975	Fish .	5,038,972	8/1991	Muderlak et al. .
3,926,326	12/1975	Grau .	5,069,204	12/1991	Smith et al. .
3,960,713	6/1976	Carey .	5,082,129	1/1992	Kramer .
3,977,554	8/1976	Costa .	5,082,130	1/1992	Weinstein .
3,994,421	11/1976	Hansen .	5,115,929	5/1992	Buono .
4,011,829	3/1977	Wachsmann et al. .	5,174,473	12/1992	Marelli .
4,029,033	6/1977	Kerwin et al. .	5,184,761	2/1993	Lee .
4,034,757	7/1977	Glover .	5,188,251	2/1993	Kusz .
4,037,719	7/1977	Perlmutter .	5,190,643	3/1993	Duncan et al. .
4,069,935	1/1978	Hampel .	5,209,375	5/1993	Fuchs .
4,069,942	1/1978	Marshall et al. .	5,224,474	7/1993	Bloomfield .
4,078,661	3/1978	Thomas .	5,227,764	7/1993	Umemoto .
4,094,408	6/1978	Ford .	5,228,586	7/1993	Fuchs .
4,162,746	7/1979	Anderson et al. .	5,242,067	9/1993	Garby et al. .
4,164,301	8/1979	Thayer .	5,243,970	9/1993	Ambrosio et al. .
4,188,984	2/1980	Lyll .	5,261,548	11/1993	Barker et al. .
4,220,247	9/1980	Kramer .	5,263,475	11/1993	Altermatt et al. .
4,291,688	9/1981	Kistler .	5,284,133	2/1994	Burns et al. .
4,300,548	11/1981	Jones .	5,289,946	3/1994	Fuchs .
4,345,541	8/1982	Villa-Real .	5,299,701	4/1994	Barker et al. .
4,347,804	9/1982	Villa-Real .	5,300,042	4/1994	Kossoff et al. .
4,347,853	9/1982	Gereg et al. .	5,301,873	4/1994	Burke et al. .
4,350,265	9/1982	Griffiths et al. .	5,328,597	7/1994	Boldt, Jr. et al. .
4,354,621	10/1982	Knickerbocker .	5,331,953	7/1994	Andersson et al. .
4,357,192	11/1982	Moser .	5,335,823	8/1994	Fuchs et al. .
4,365,722	12/1982	Kramer .	5,349,945	9/1994	Wass et al. .
4,405,045	9/1983	Villa-Real .	5,356,012	10/1994	Tang et al. .
4,419,016	12/1983	Zoltan .	5,363,842	11/1994	Mishelevich et al. .
4,432,300	2/1984	Lyss .	5,370,267	12/1994	Schroeder .
4,436,223	3/1984	Wilson .	5,382,243	1/1995	Mulholland .
4,440,306	4/1984	Van Buskirk et al. .	5,388,572	2/1995	Mulhauser et al. .
4,489,834	12/1984	Thackrey .	5,392,768	2/1995	Johansson et al. .
4,500,005	2/1985	Forrester .	5,394,866	3/1995	Ritson et al. .
4,501,370	2/1985	Kelley .	5,397,028	3/1995	Jesadanont .
4,511,150	4/1985	Seguenot .	5,411,173	5/1995	Weinstein .
4,523,933	6/1985	Laush et al. .	5,421,482	6/1995	Garby et al. .
4,528,933	7/1985	Allen .	5,437,270	8/1995	Braithwaite .
4,534,345	8/1985	Wetterlin .	5,448,042	9/1995	Robinson et al. .
4,538,744	9/1985	Weissenborn .	5,482,030	1/1996	Klein .
4,548,147	10/1985	Hevoyan .	5,505,192	4/1996	Samiotes et al. .
4,562,933	1/1986	Dennis .	5,505,195	4/1996	Wolf et al. .
4,565,302	1/1986	Pfeiffer et al. .	5,509,905	4/1996	Michel .
4,634,012	1/1987	Kelley .	5,519,197	5/1996	Robinson et al. .
4,637,528	1/1987	Wachinski et al. .	5,520,166	5/1996	Ritson et al. .
4,641,759	2/1987	Kelley .	5,544,647	8/1996	Jewett et al. .
4,646,936	3/1987	Frazier et al. .	5,549,101	8/1996	Trofast et al. .
4,662,520	5/1987	Griffin .	5,564,414	10/1996	Walker et al. .
4,664,107	5/1987	Wass .	5,611,444	3/1997	Garby et al. .
4,666,051	5/1987	Trick .	5,617,844	4/1997	King .
4,668,218	5/1987	Virtanen .	5,622,163	4/1997	Jewett et al. .
4,677,975	7/1987	Edgar et al. .	5,625,334	4/1997	Compton .
4,693,399	9/1987	Hickman et al. .	5,625,659	4/1997	Sears .
4,705,182	11/1987	Newell-Lewis .	5,638,970	6/1997	Garby et al. .
4,722,729	2/1988	Dettbarn et al. .	5,657,748	8/1997	Braithwaite .
4,723,673	2/1988	Tartaglia et al. .	5,676,129	10/1997	Rocci, Jr. et al. .
4,727,886	3/1988	Conrardy et al. .	5,687,710	11/1997	Ambrosio et al. .
4,736,871	4/1988	Luciani et al. .	5,694,882	12/1997	Marshall .
4,749,093	6/1988	Trick .	5,718,355	2/1998	Garby et al. .
4,753,189	6/1988	Mastman et al. .	5,724,957	3/1998	Rubsamen et al. .
4,756,423	7/1988	Holtsch .			

# US D439,534 S

Page 3

5,732,836 3/1998 Barker et al. .  
5,799,651 \* 9/1998 Garby et al. .... 128/200.23  
5,871,007 \* 9/1998 Clark, Jr. .... 128/200.23

## FOREIGN PATENT DOCUMENTS

DT 27 02 539

A1 1/1977 (DE) .  
3336486 A1 4/1984 (DE) .  
8 590 143 U 10/1985 (DE) .  
0 0288 929  
A2 5/1981 (EP) .  
0 098 939 A2 1/1984 (EP) .  
0 114 617 A2 8/1984 (EP) .  
0 063 599 6/1986 (EP) .  
0 230 323 B1 7/1987 (EP) .  
0 236 871 A2 9/1987 (EP) .  
0 269 496 A2 6/1988 (EP) .  
0 488 609 A1 6/1992 (EP) .  
0 559 757 B1 9/1993 (EP) .  
998148 7/1965 (GB) .  
1058636 2/1967 (GB) .

1 290 474 9/1972 (GB) .  
1317315 5/1973 (GB) .  
2 063 075 6/1981 (GB) .  
2 092 991 8/1982 (GB) .  
2 104 393 3/1983 (GB) .  
2 191 032 12/1987 (GB) .  
2 195 544 4/1988 (GB) .  
WO 86/02275 4/1986 (WO) .  
WO 87/04354 8/1987 (WO) .  
WO 90/10470 9/1990 (WO) .  
WO 91/06334 5/1991 (WO) .  
WO 92/07600 5/1992 (WO) .  
WO 92/09324 6/1992 (WO) .  
WO 92/15353 9/1992 (WO) .  
WO 92/17231 10/1992 (WO) .  
WO 93/24167 12/1993 (WO) .  
WO 94/11272 5/1994 (WO) .  
WO 95/34874 12/1995 (WO) .  
WO 96/16687 6/1996 (WO) .

\* cited by examiner

FIG. 1

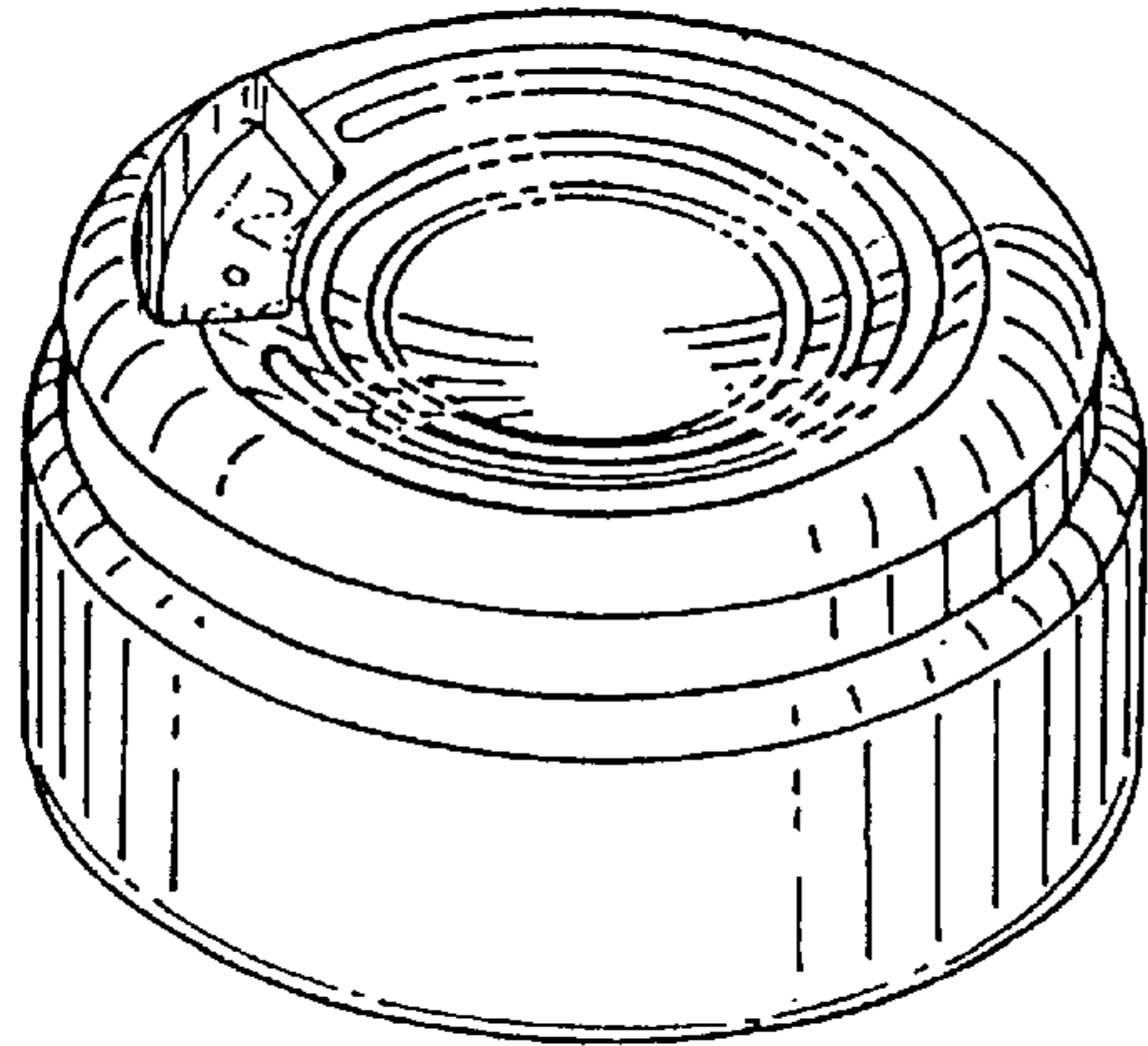


FIG. 2

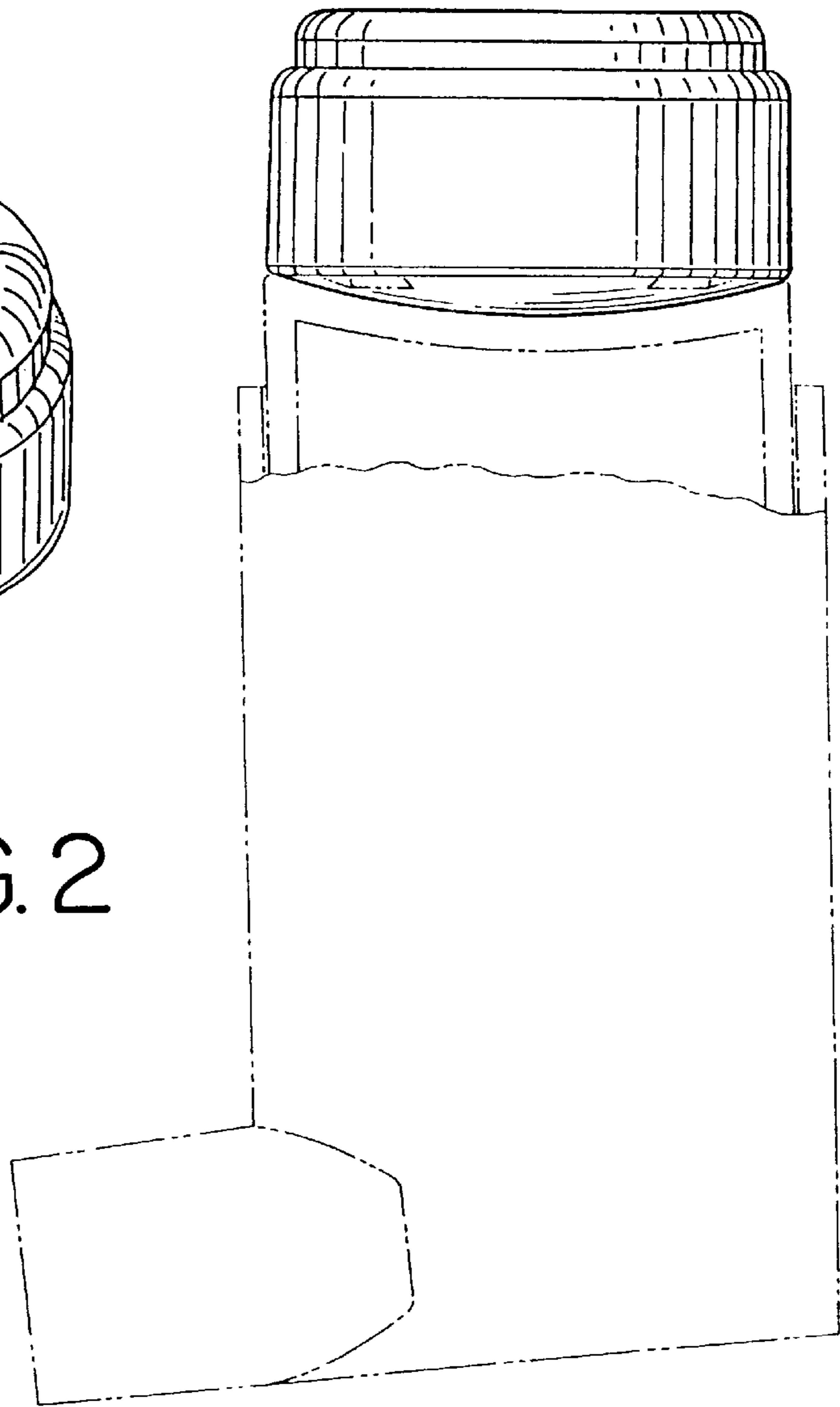


FIG. 3

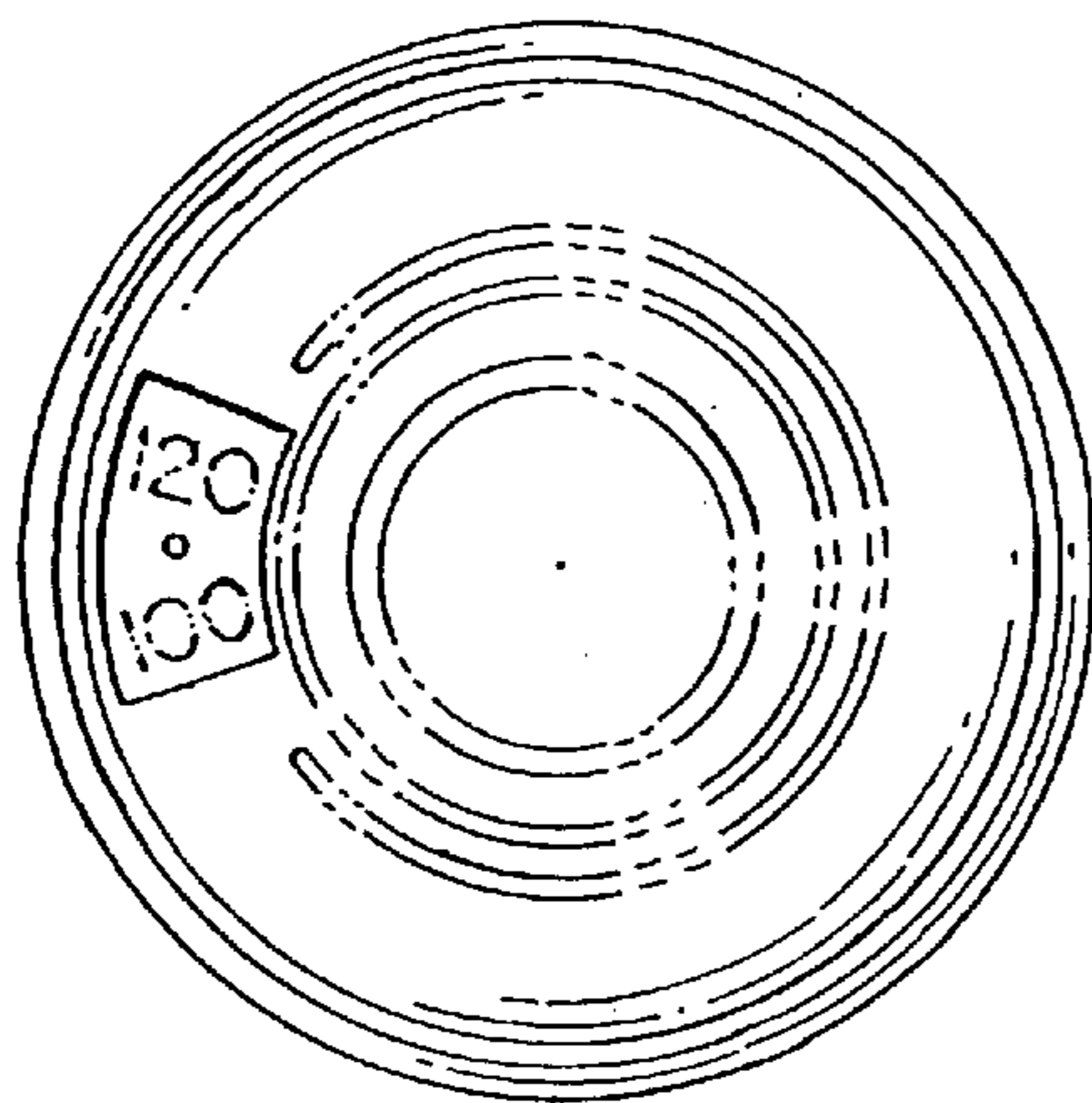


FIG. 4

